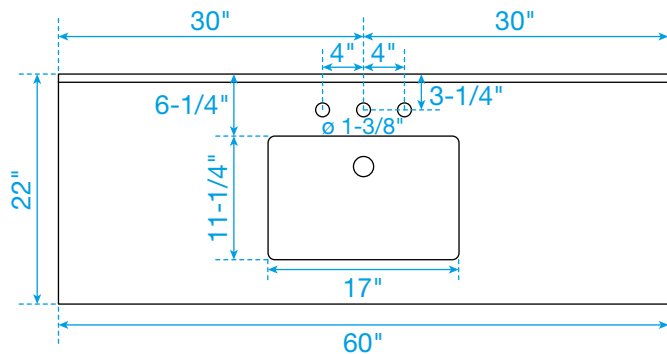
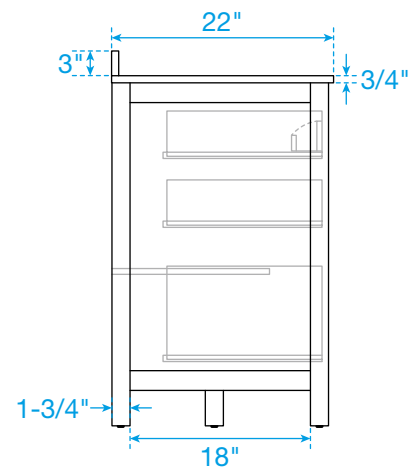
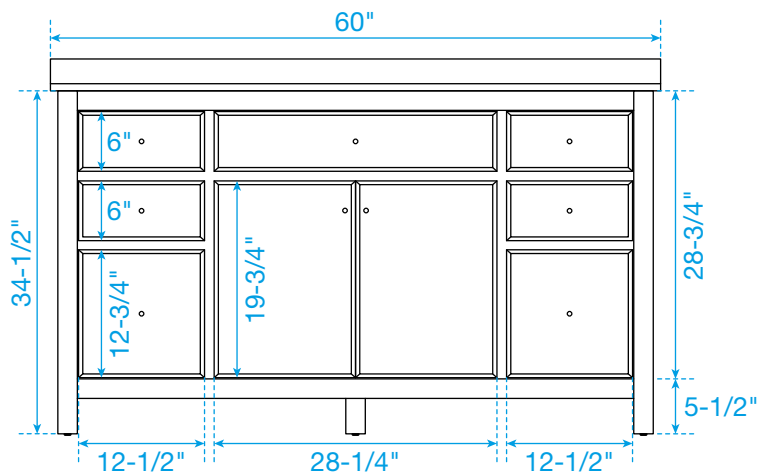
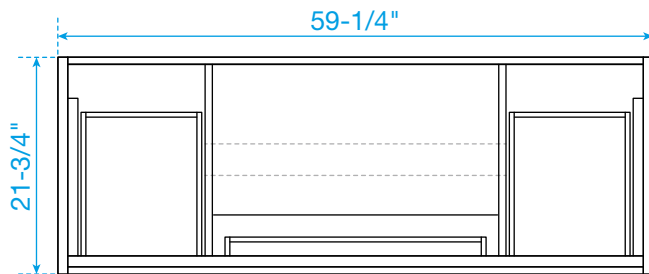
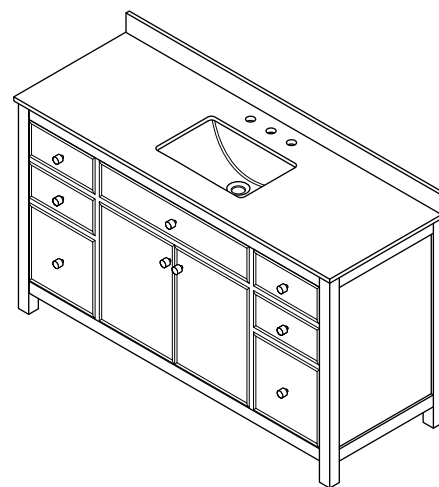


# WYNDHAM COLLECTION



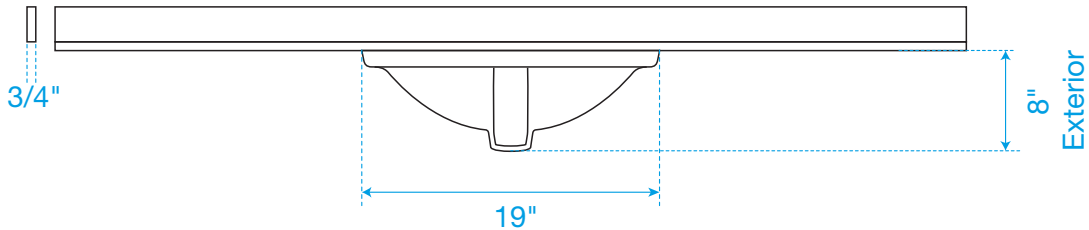
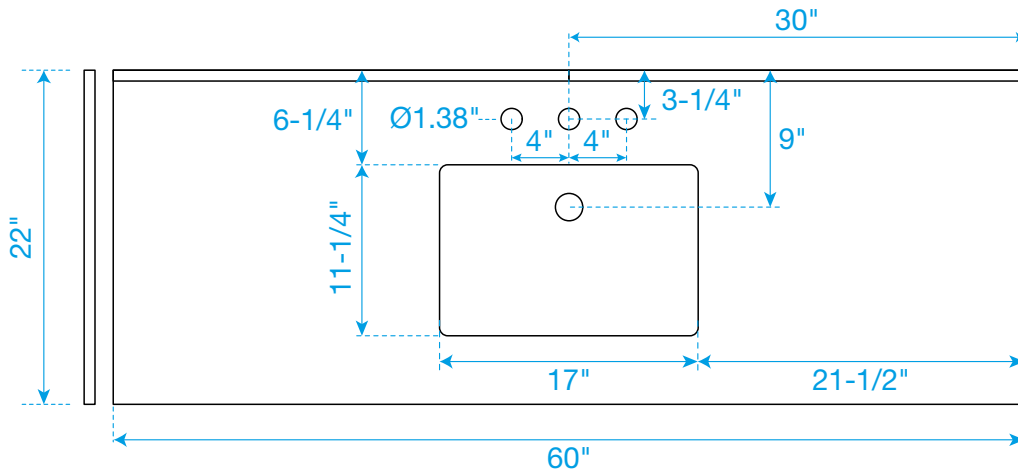
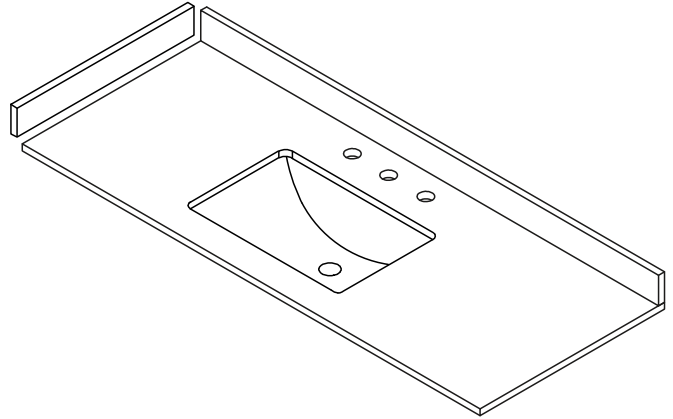
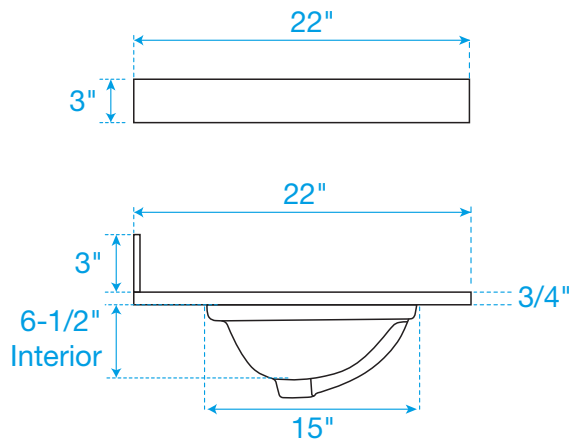
TOP VIEW OF VANITY CABINET



\*Note: Due to high probability of breakage, the backsplash comes in two pieces, cut from the same piece. All measurements are  $\pm 1/4"$ .

WC-9292-60-SGL-VCA3

# WYNDHAM COLLECTION



Side splash is reversible.

Note: Due to high probability of breakage, the backsplash comes in two pieces, cut from the same piece. All measurements are  $\pm 1/4"$ .

WC-VCA3-60-SGL-TOP