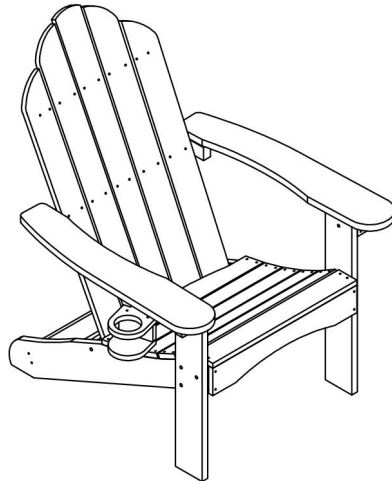


USER'S MANUAL

AMANDA SERIES

ADIRONDACK CHAIR & CUP HOLDER



Guide of Manual

- Instruction should be read carefully. It is very important to ensure each step followed in correct order and avoid any unnecessary troubles.
- Please check to make sure all parts are included as stated in the user manual when you unpack the product.
- The manual may not cover every detail of all possible situations and assembly steps. Please contact us if further information and help are needed.

Care and Maintenance

- Use a soft, clean cloth that will not scratch the surface when dusting.
- If you run into scratches problems, we suggest you erase the scratches by knife.
- Adirondack chairs could be cleaned with soap and water. Be sure to avoid harsh solvents and abrasives.
- Periodically (every 90 days) make sure the screws are fully tightened.

Material

- **100% Polystyrene**

Warning

- It's kindly advised to assemble this product on a carpeted floor to protect it from being scratched.
- Small parts are included. Please keep the product away from children while assembling. Do not let children play or jump on the product. Do not stand on the item or use as a step.
- Please pay attention to the sharp corners during assembly. We recommend the use of gloves to prevent the undesired injury.
- Prior to use, please check to see if there's any loosening screw or part. Make sure that each screw and part is correctly installed and securely fastened.
- It's unnecessary to use any electric drill. Please at a low gear if you need.

Resists pest & rough weather

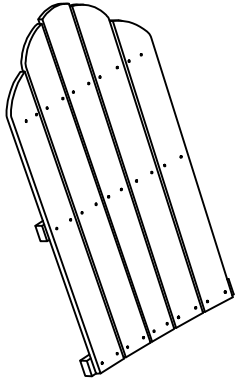
- These all-weather chairs can be stored outdoors year-round. Perfect for people who lives in a wet climate or lives on the coast where humidity and moisture will be an issue all year.

Weight capacity

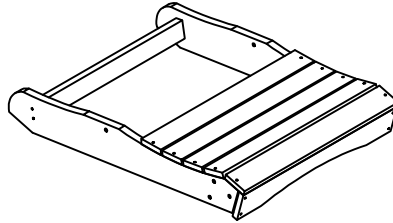
- **300lbs [Do not stand on the item]**

Parts List & Assembly Instruction

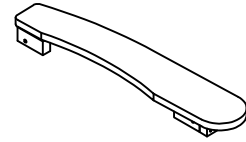
1. Make sure all parts are in the package.
2. Do not tighten all bolts until they have been installed in corresponding locations.



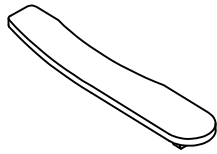
A x 1PC
Back



B x 1PC
Seat



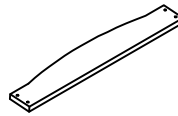
C x 1PC
Left Arm



D x 1PC
Right Arm



F x 2PCS
Front Legs



H x 1PC
Seat Brace



I x 1PC
Cup Holder



AA x 4PCS
Screw (4*35)



BB x 4PCS
Bolt (M6*50)



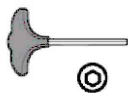
CC x 6PCS
Bolt (M6*50)



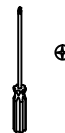
DD x 2PCS
Bolt (M6*60)



EE x 1PC
Bolt (M6*30)

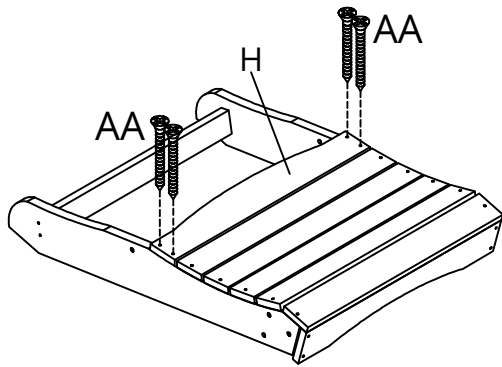


x 1PC
Allen Wrench

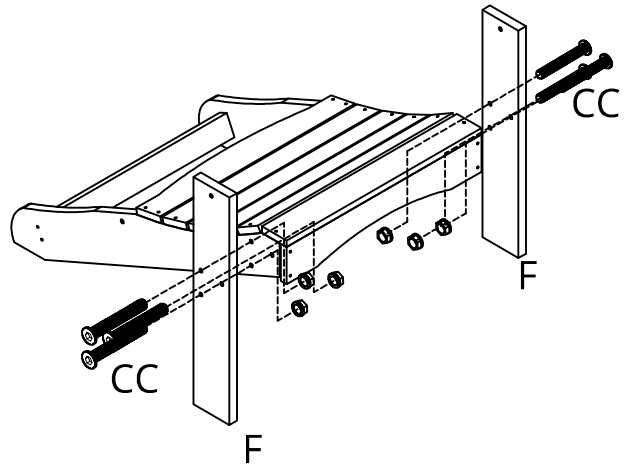


x 1PC
Phillips screwdriver
(not included)

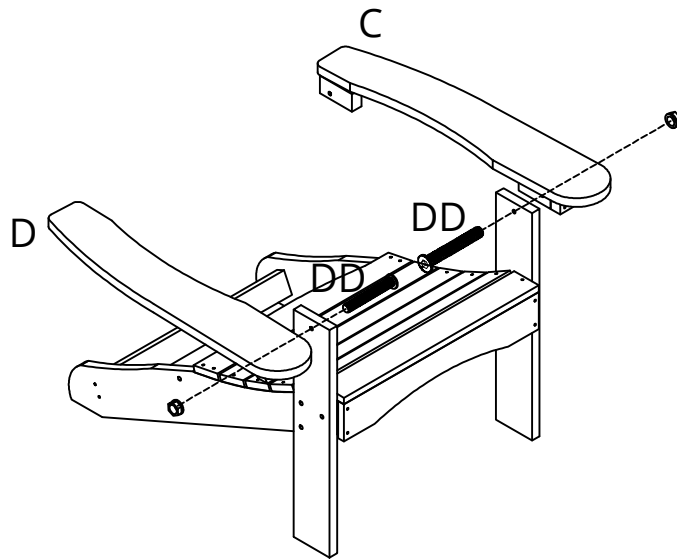
Step 1



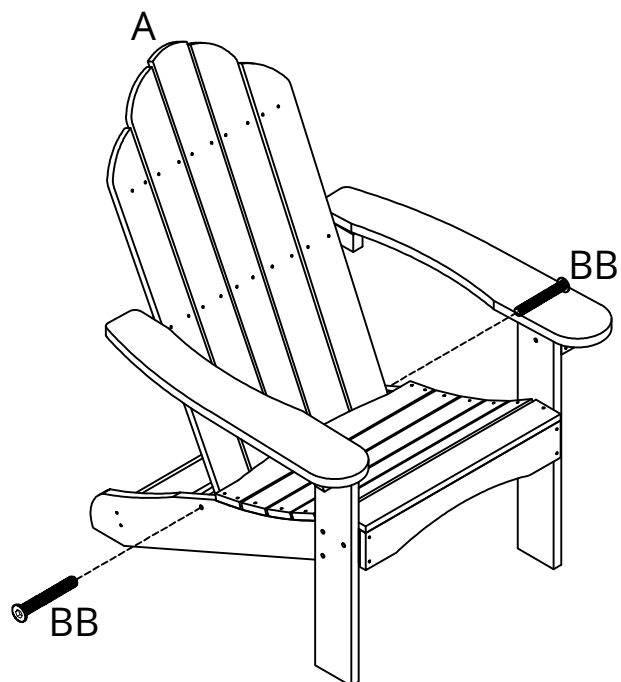
Step 2



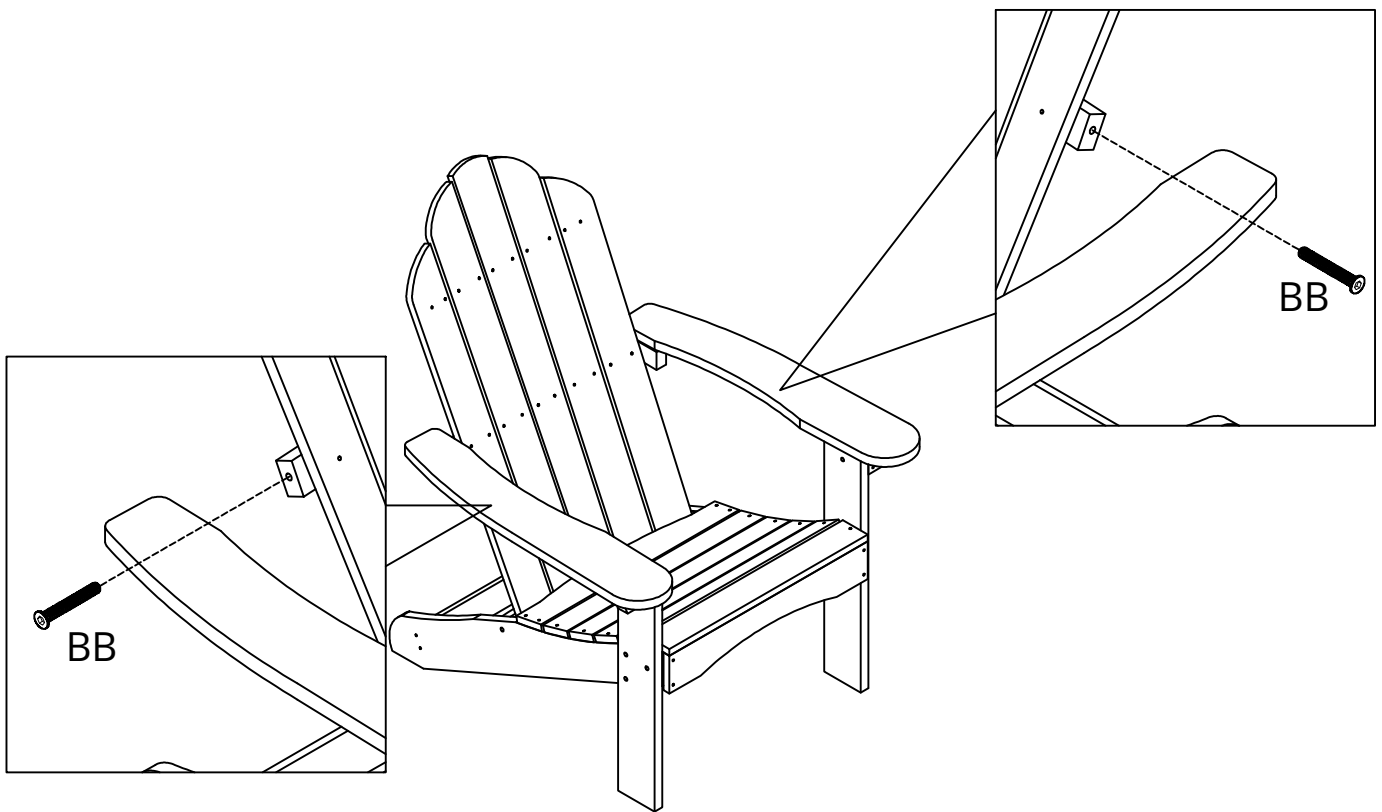
Step 3



Step 4



Step 5



Step 6

