

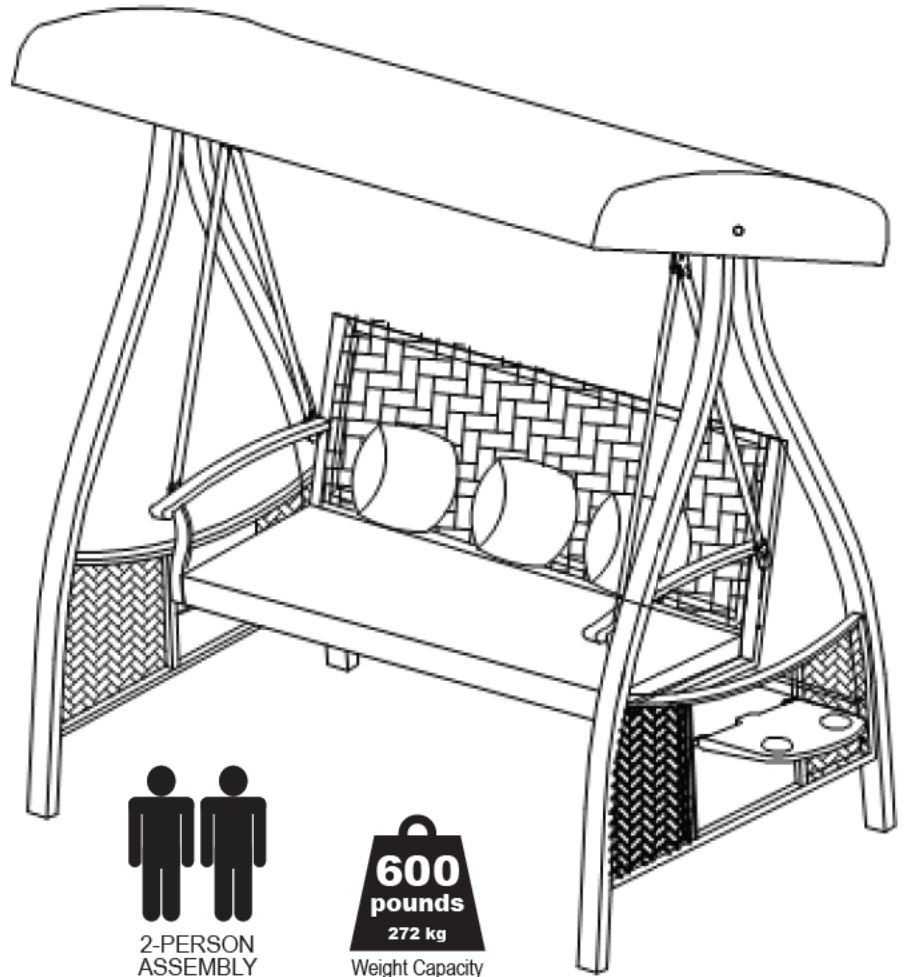
# PATIO SWING WITH SIDE TABLES

Carefully review all assembly and care instructions before using this product. Save this manual for future reference.  
Assemble on a soft, clean surface to avoid damaging the finish.



Inspect packaging to ensure all parts are accounted for before disposing of packing materials.  
Save the packing slip.

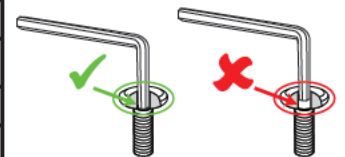
No.	PARTS	QTY.
A	Front Right Leg	1
B	Front Left Leg	1
C	Side Panel Table	2
D	Back Right Leg	1
E	Back Left Leg	1
F	Extension Spring	2
G	Top Bar	1
H	Support Beam	1
I	Right Arm Panel	1
I1	Left Arm Panel	1
J	Seat	1
K	Backrest	1
M	Seat Cushion	1
N	Rear Swing Bar	2
N1	Front Swing Bar	2
Q	Canopy	1
Y	Treaded Knob	2
CC	Pillow	3



No.	HARDWARE	QTY.
L	M8 Lock Nut	4
R	M8x22mm Bolt	12
S	M6x35mm Bolt	8
T	M8x130mm Bolt	4
W	M8x40mm Bolt	4
W1	M8x50mm Bolt	4
X	M8x25mm Bolt	4
Z	Nut Cap	4
Z1	M8 Washer	32
Z1	M6 Washer	8

INCLUDED TOOLS	
	Hex Keys
	Spanner

Tip: Always fully insert the hex key inside designated notch of the bolt to prevent the bolt head from stripping.



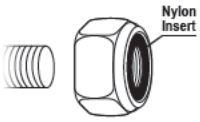
## WARNING

CHOKING HAZARD — This item contains small parts that can be swallowed. Keep children and pets away during assembly.

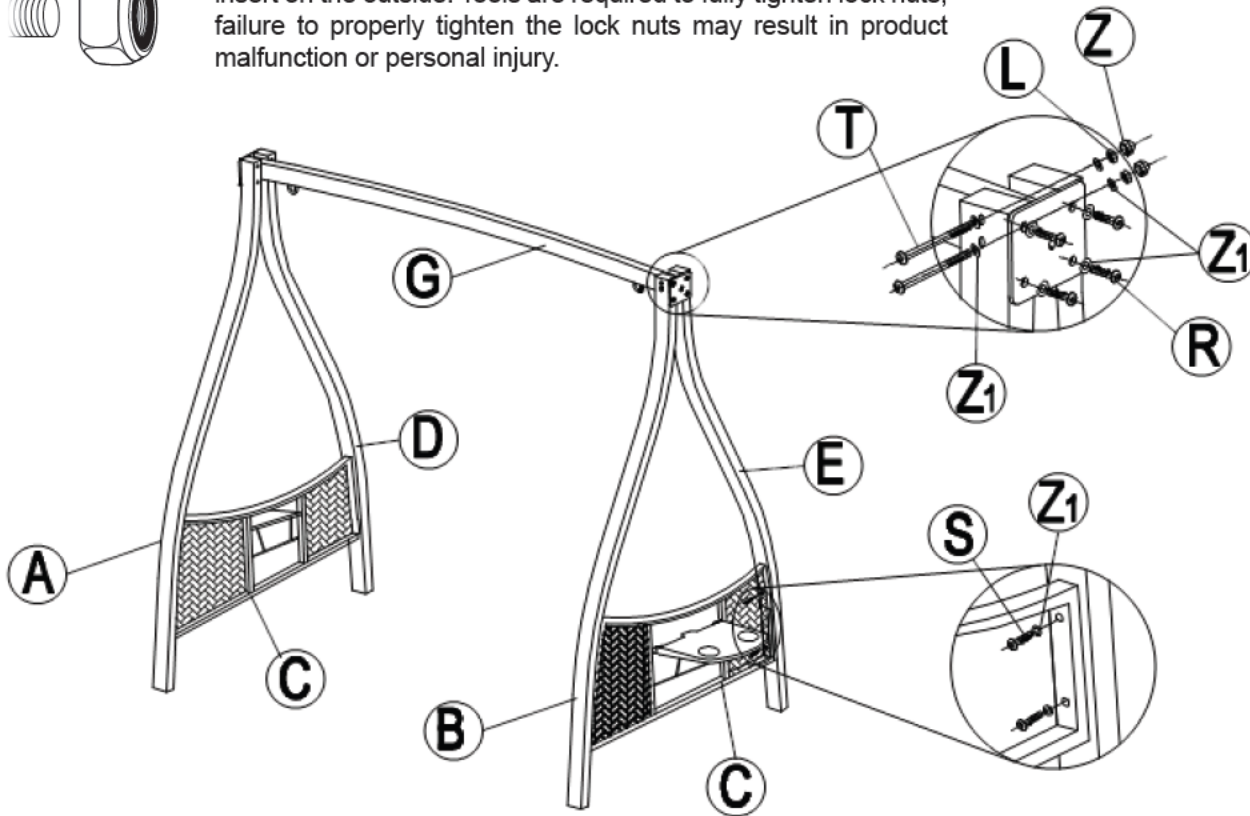
# ASSEMBLY

Review all steps and understand assembly before beginning.

**Do not fully tighten hardware until all components have been loosely assembled.**  
 If hardware is tightened too soon, mounting holes may not align and parts may not easily fit together.



**IMPORTANT:** Lock nuts must be installed with the nylon insert on the outside. Tools are required to fully tighten lock nuts, failure to properly tighten the lock nuts may result in product malfunction or personal injury.



## STEP 1

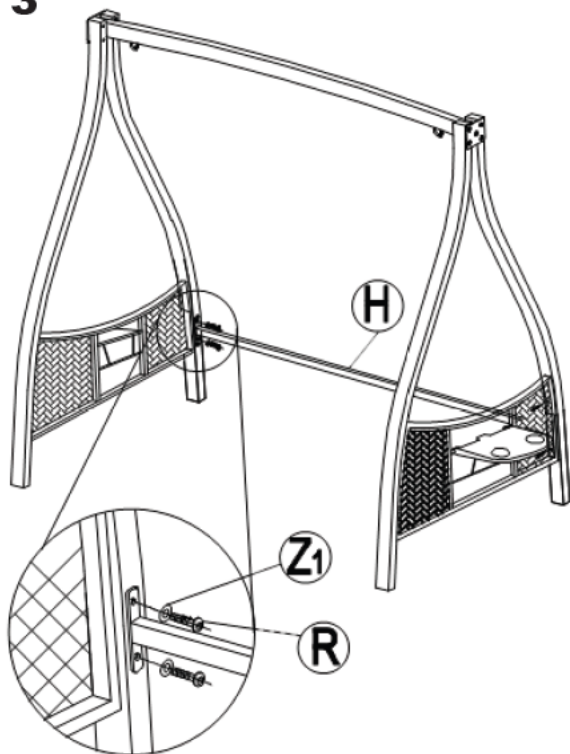
- A: 1    L: 4
- B: 1    R: 8
- D: 1    T: 4
- E: 1    Z1: 16 (M8)
- G: 1    Z: 4

## STEP 2

- C: 2
- S: 8
- Z1: 8 (M6)

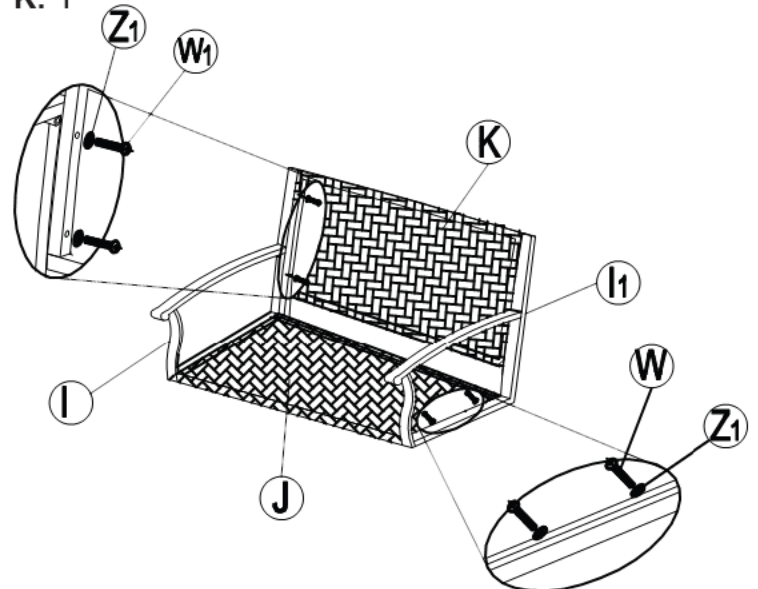
## STEP 3

- H: 1
- R: 4
- Z1: 4 (M8)



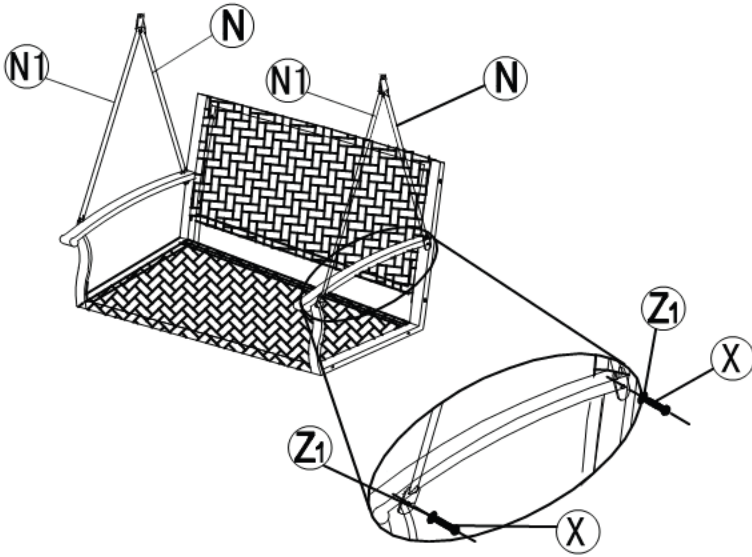
## STEP 4

- I: 1    W: 4
- I1: 1    W1: 4
- J: 1    Z1: 8 (M8)
- K: 1



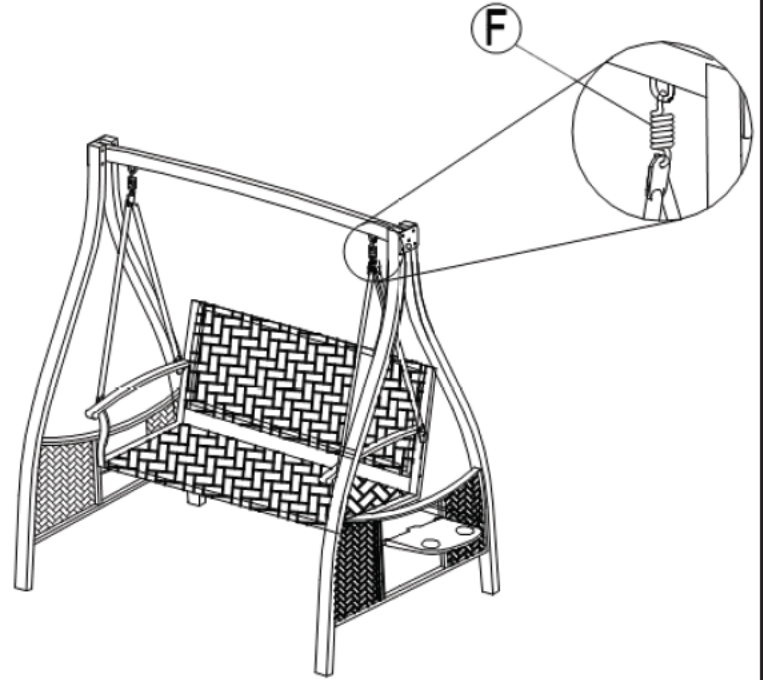
### STEP 5

N: 2  
N1: 2  
Z: 4  
Z1: 4 (M8)



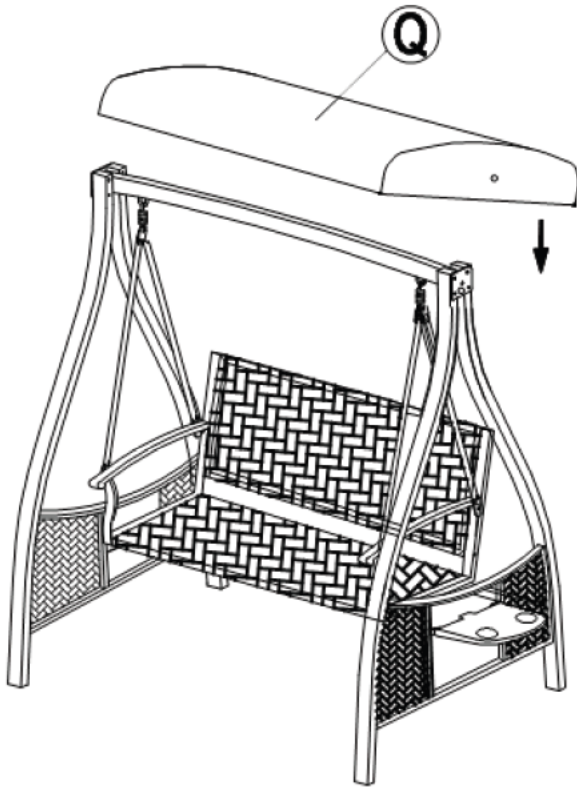
### STEP 6

F: 2



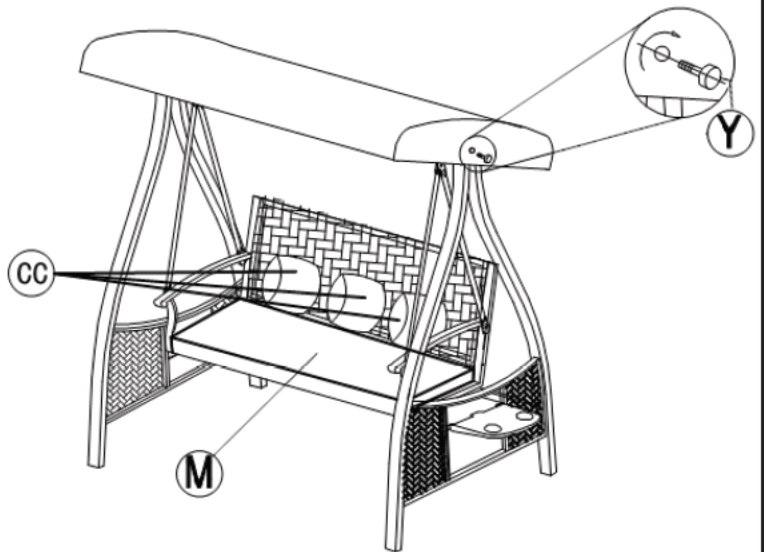
### STEP 7

Q: 1



### STEP 8

CC: 3  
M: 1  
Y: 2



### ! HELPFUL HINT

Inspect all assembly points to ensure all hardware is securely fastened before using the swing.

# USE & CARE

**SAFE USE:** Bouncing, jumping and other excessive movement while using the patio swing may cause serious injury including, but not limited to, the swing tipping over.

**INSPECTION:** Ensure the unit is assembled correctly and all hardware is securely fastened.

**SWINGING:** While in a seated position, with your feet in contact with the ground, gently move the swing in a front-to-back direction.

**CHILDREN:** Supervise children at all times. Do not allow children to play or sleep on the swing.

**EXPOSURE:** Over time, sunlight and weather elements will degrade and change the color of cushions and the finish on the frame. Maintain cushion color and integrity by storing them indoors when not in use. Covering the porch swing with a breathable outdoor furniture cover while not in use will help protect it from the elements. Cover not included.

**STORAGE:** Store the cushions and canopy indoors when not in use. Cool, dry locations are recommended to prevent damage that may result from exposure to moisture. Covering furniture while in storage is recommended to help prevent dust build-up. Always ensure all fabrics are completely dry before storage.

**SCRATCHES:** The powder coating on the frame is tough and durable but, even with normal use, some scratching is inevitable. To avoid excessive rust, wipe scratched areas with a soft cloth to remove moisture.

## CLEANING

*Do not use harsh chemicals or abrasive materials to clean the furniture.*



HAND-WASH ONLY



DO NOT USE BLEACH



DO NOT USE HIGH-PRESSURE SPRAYERS

### Cushions/Canopy

- Brush or vacuum loose dirt from the cushions/canopy.
- Wipe down using a soft cloth and warm water.

### Swing Frame

- Remove all cushions and canopy.
- Brush, vacuum or use a garden hose to remove loose dirt and debris. If using a hose with a spray nozzle, use gentle or medium pressure settings; using high-pressure sprayer may damage the construction and finish of the frame, and void the product warranty.
- Dry using a soft, lint-free cloth.

## ! SAFETY STATEMENTS & WARNINGS !

- Do not exceed the weight capacity of the furniture.
- Do not stand on any part of this item.
- Use care when getting in and out of the swing.
- Keep feet in contact with the ground while swinging. Excessive swinging movement can cause the swing to tip over.
- Do not allow children to use this product without adult supervision.
- Remove and store the canopy during windy conditions to prevent uplift and/or tipping.
- Inspect the swing and frame to ensure all hardware is fully tightened before each use.

**WARNING:** THE ONE-YEAR WARRANTY DOES NOT COVER DAMAGES OR DEFECTS CAUSED BY THE APPLICATION OF CHEMICAL TREATMENTS, PROTECTIVE COATINGS, TOUCH-UP PAINT, OR CLEANING PRODUCTS.

Any modification to the product or failure to follow recommended care will void the product warranty.

*If you experience issues with assembly or the product was damaged during shipping, please contact our customer service team through one of the methods mentioned at the top of page 1. Please have the item number and order information ready to expedite response time.*

### ! WARNING:

Manufacturer and seller expressly disclaim any and all liability from personal injury, property damage or loss, whether direct or indirect, or incidental, resulting from the incorrect attachment, improper use, inadequate maintenance, or neglect of this product.