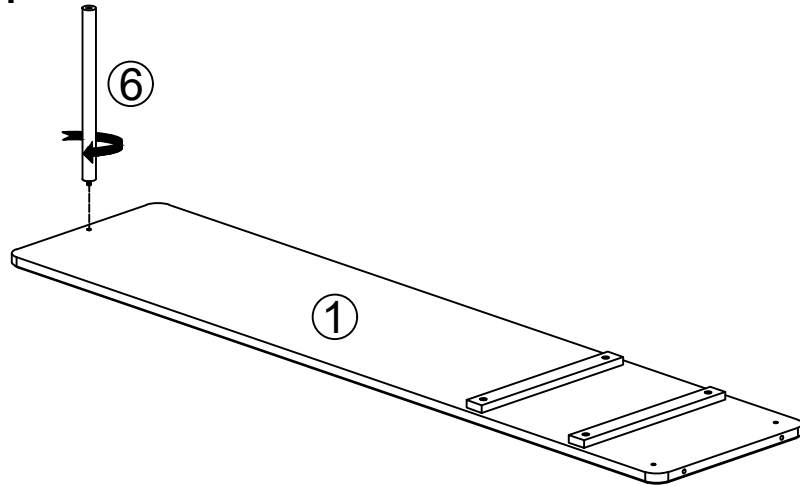


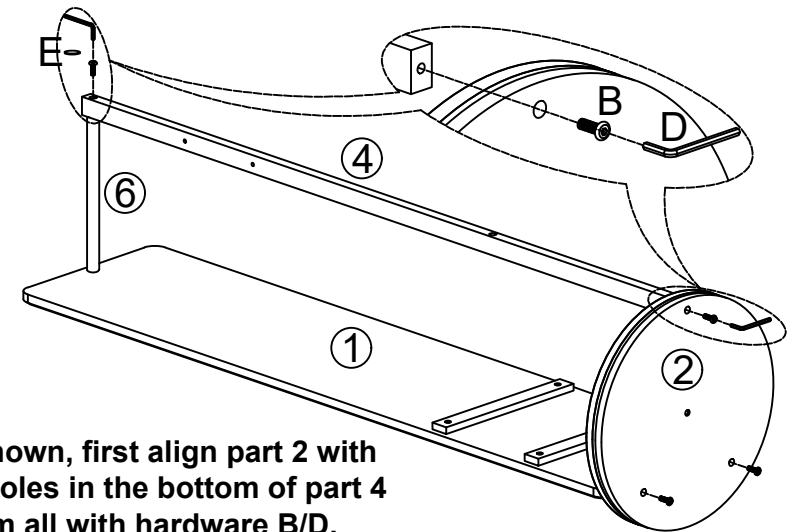
Name: Full-length mirror Solid Wood Rotary(Large Size)

Step 1:



Caution: After unpacking, check the correct number of accessories against the instructions.
Assemble as shown, first twist part 7 clockwise onto part 1.

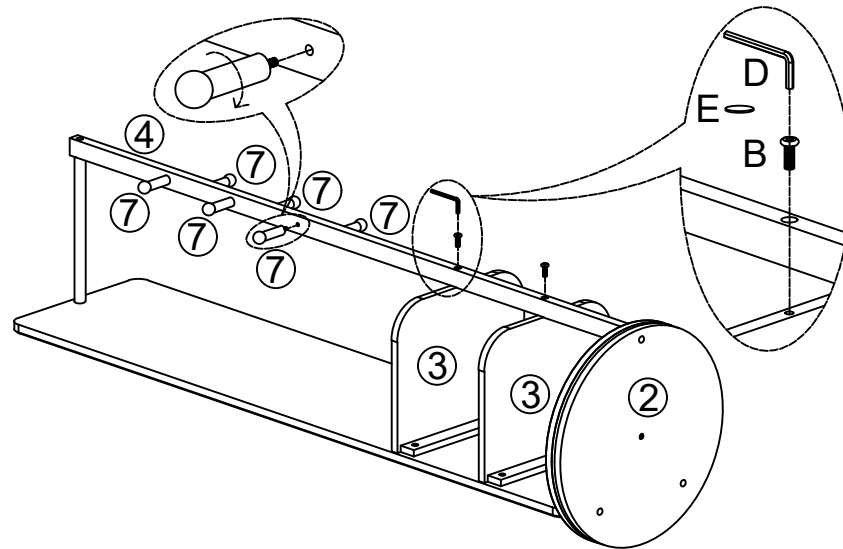
Step 2:



Assemble as shown, first align part 2 with part 1 and the holes in the bottom of part 4 and secure them all with hardware B/D.

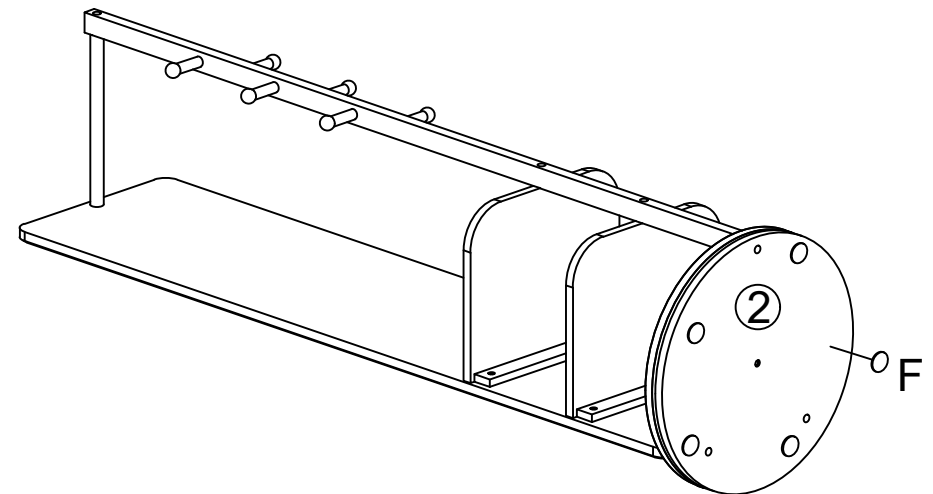
Then align the holes and slots of part 4 with part 7 and fix them with hardware B/D, then cover the holes with hardware E.

Step 3:



Assemble as shown, first lay part 3 flat to the designated position, align the holes on the end face of part 3 with hardware B/D, and then cover the holes with hardware E.
Then twist part 8 in clockwise direction to the top of part 4.

Step 4:



Assemble as shown, attaching accessory F to the bottom of the base.

Step 5:

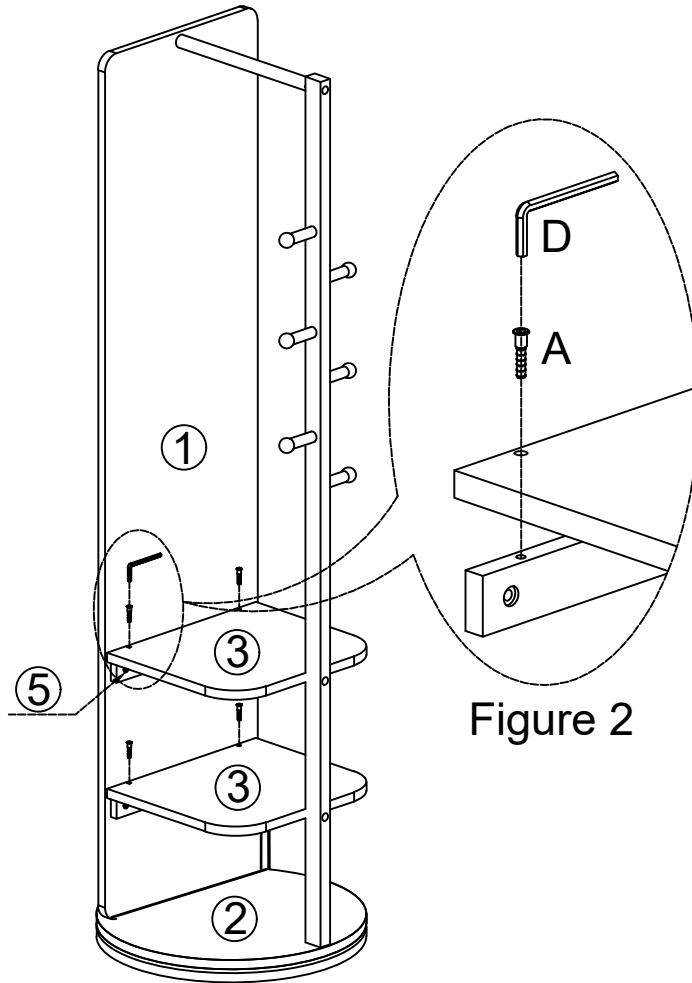
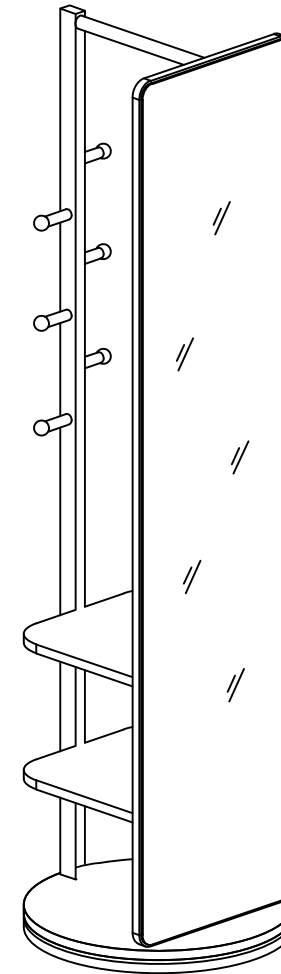


Figure 2

Assemble part 3 on top of part 5 with hardware A/D as in figure 2.

Step 6:



Assembly complete.