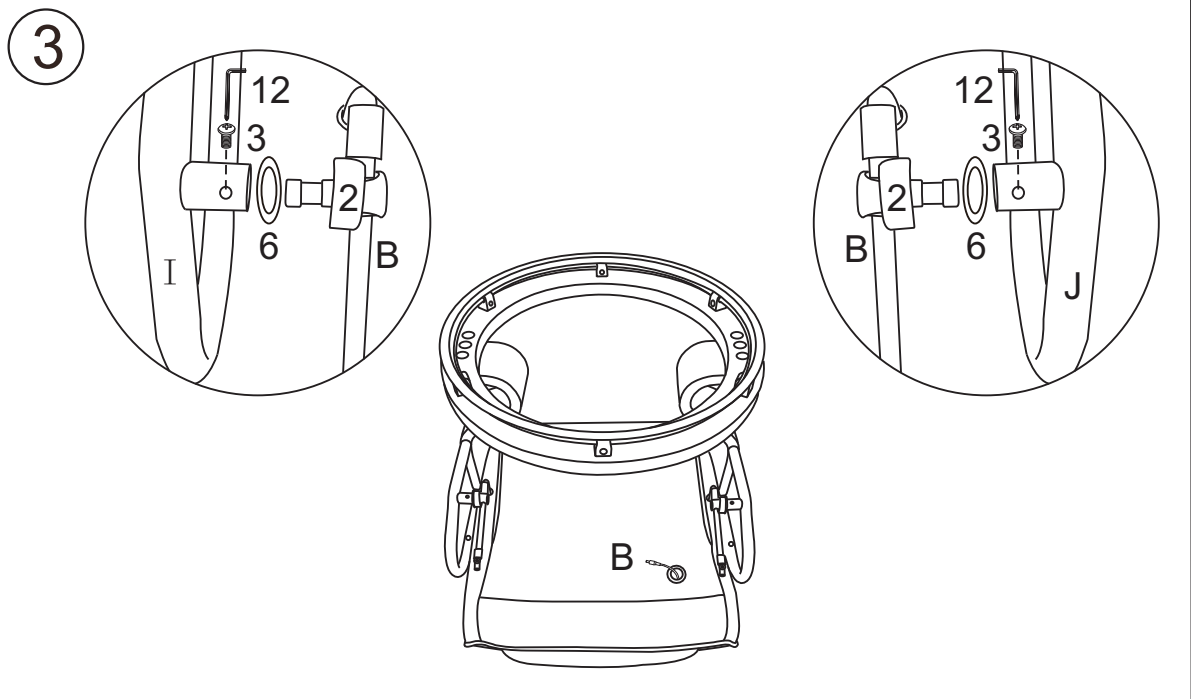
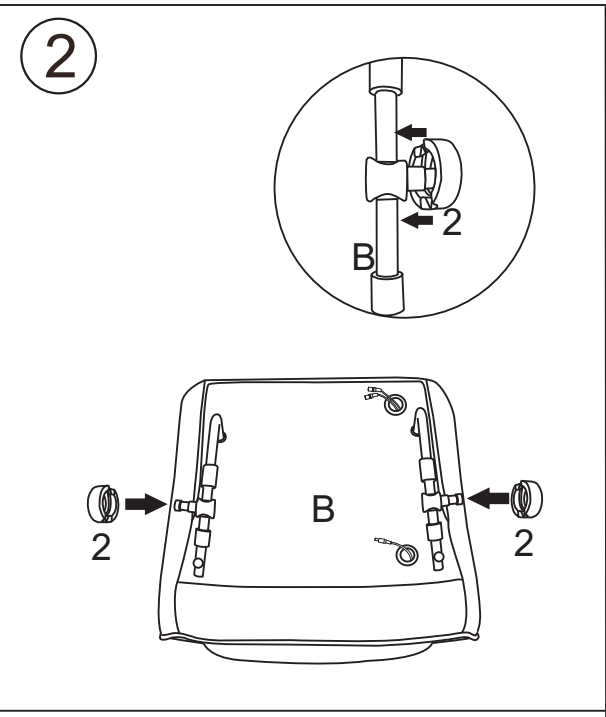
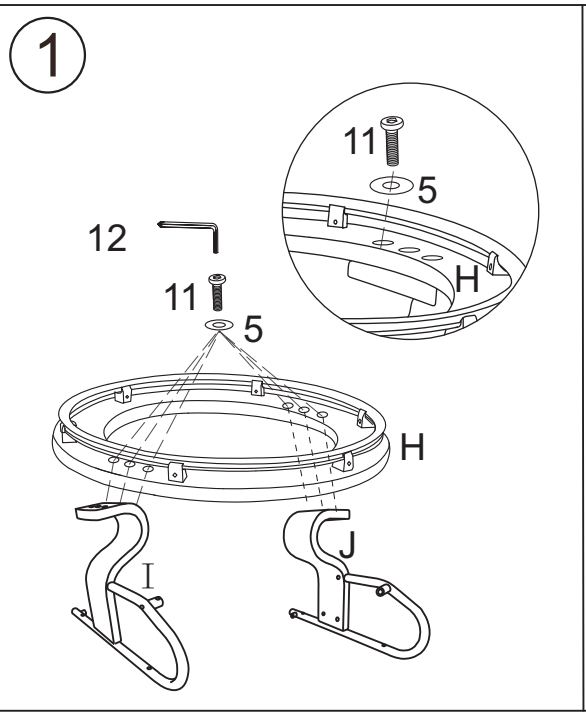
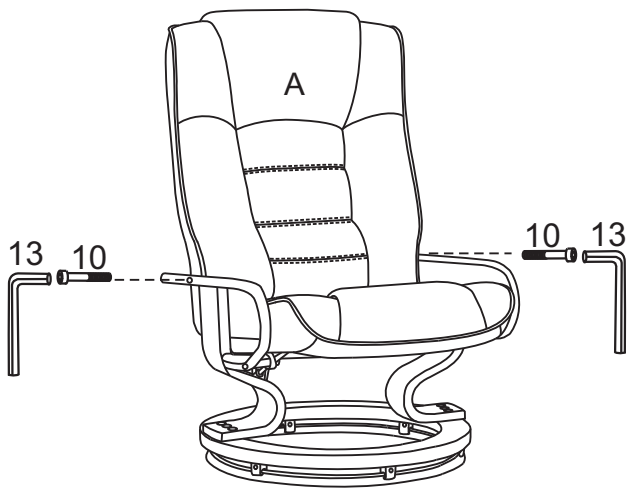


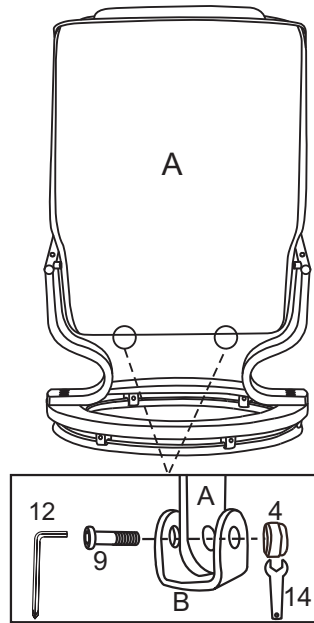
(A)X1 	(G)X1 	(5)X10
(B)X1 	(H)X1 	(6)X2
(C)X1 	(I)X1 	(7)X4 M6*20MM
(D)X1 	(J)X1 	(8)X4 M6*40MM
(E)X1 	(1)X2 	(9)X2 M8*25MM
(F)X2 	(2)X2 	(10)X2 M8*65MM
(3)X2 	(3)X2 M5*6MM	(11)X10 M8*40MM
(4)X2 	(4)X2 	(12)X1 M5
		(13)X1 M6
		(14)X1
		(15)X1
		(16)X1



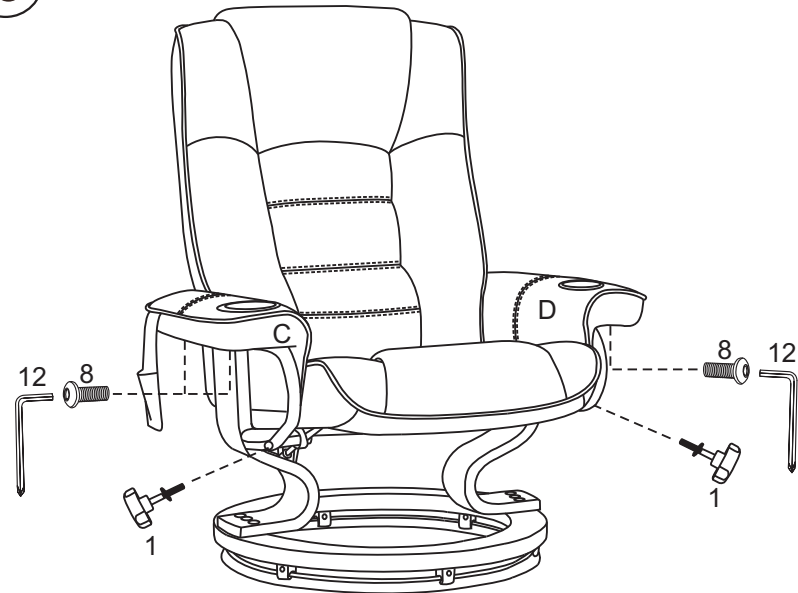
4



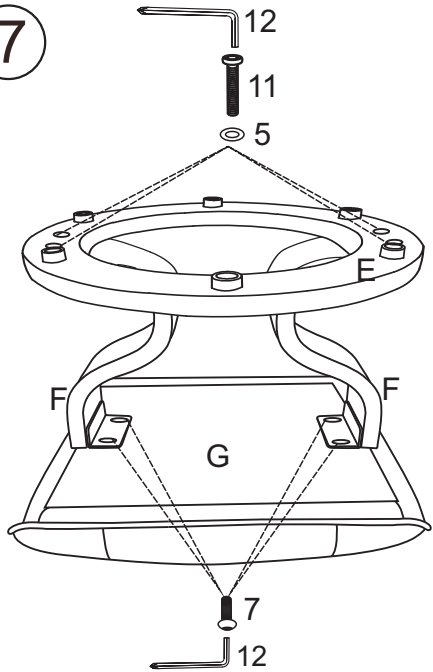
5



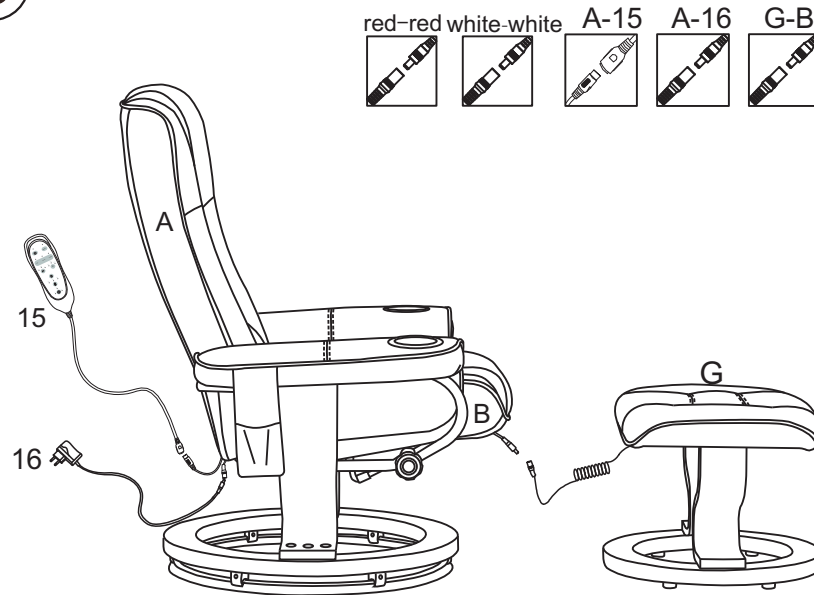
6



7



8



9

