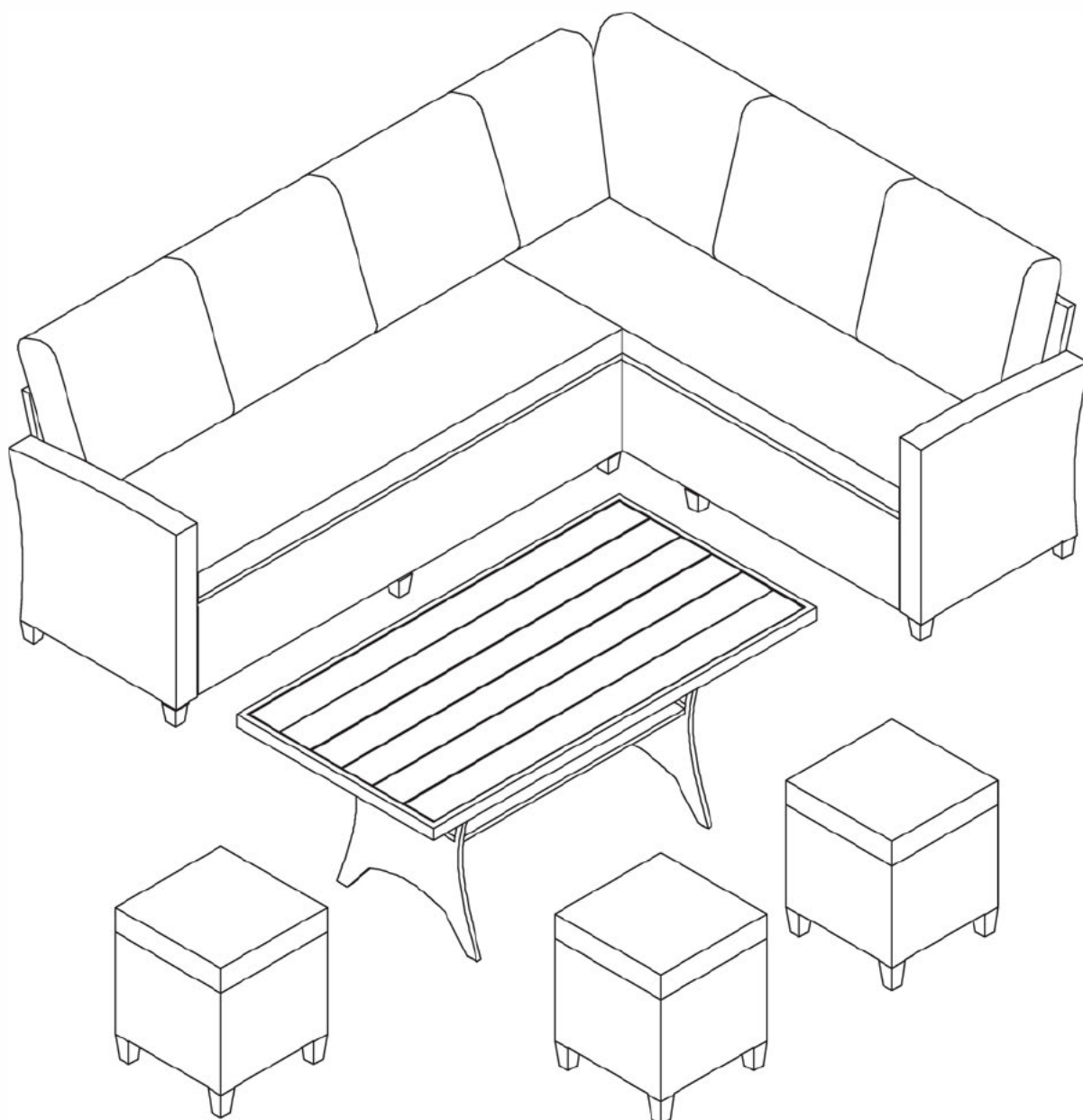


Instruction Manual

8 Seat Sofa Set High Back in Brown



CONTENTS

Safety and care advice	1
Components	2
Assembly instructions	5

⚠ SAFETY AND CARE ADVICE ⚠

PLEASE READ THESE INSTRUCTIONS CAREFULLY AND KEEP FOR FUTURE REFERENCE

- **Warning:** Please lift with care.
- Check you have all the components and tools listed on pages 2 and 3.
- Remove all fittings from the plastic bags and separate them into their groups.
- Keep children and animals away from the work area, small parts could choke if swallowed.
- Make sure you have enough space to lay out the parts before starting.
- Do not stand or put weight on the product, this could cause damage.
- Assemble the item as close to its final position (in the same room) as possible.

- Assemble on a soft level surface to avoid damaging the unit or your floor (use opened out unit carton).



- We do not recommend the use of power drill/drivers **for inserting screws**, as this could damage the unit. Only use hand screwdrivers.
- Dispose of all packaging carefully and responsibly.

CARE AND MAINTENANCE

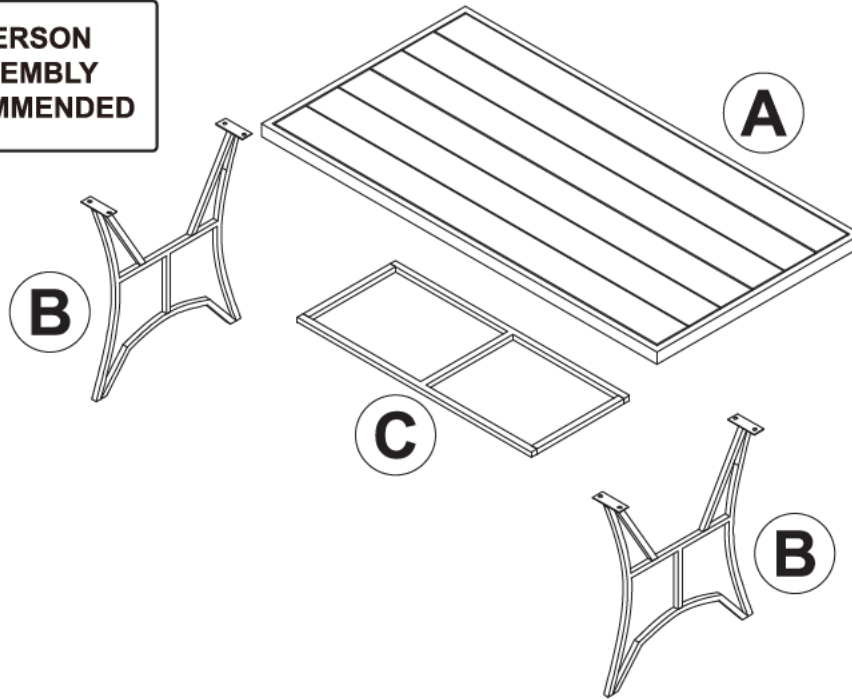
- Only clean using a damp cloth and mild detergent, do not use bleach or abrasive cleaners.
- From time to time check that there are no loose screws on this unit.

- This product should not be discarded with household waste. Take to your local authority waste disposal center.

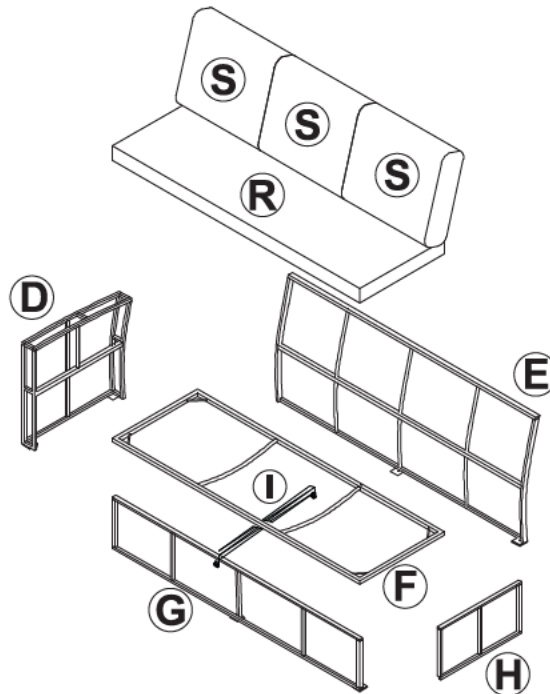
Note *If required the next page can be cut out and used as reference throughout the assembly. Keep this page with these instructions for future reference.*

COMPONENTS

Please check you have all the panels listed below:



A Table top	x1	C Table support	x1
B Table leg	x2		

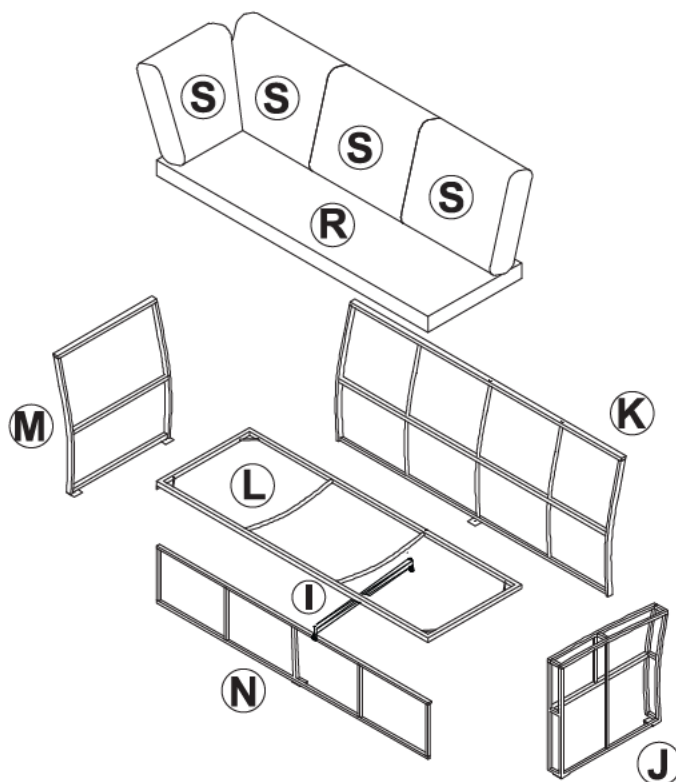
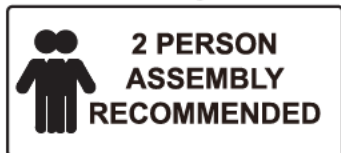


D Right arm panel	x1	H Bench side panel	x1
E Bench back panel	x1	R Seat cushion	x1
F Bench seat panel	x1	S Back cushion	x3
G Bench base panel	x1	I Bench support	x1

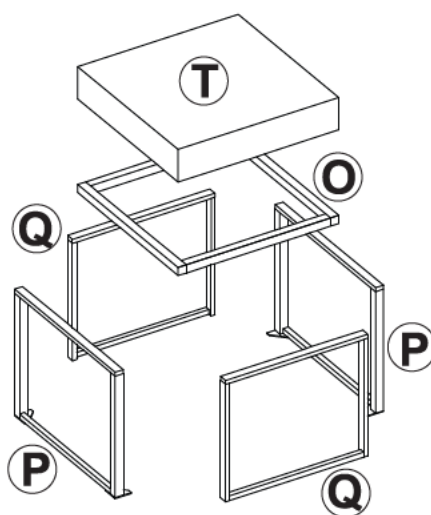


COMPONENTS

Please check you have all the panels listed below:



J Left arm panel	x1	N Corner base panel	x1
K Corner back panel	x1	R Seat cushion	x1
L Corner seat panel	x1	S Back cushion	x4
M Small back panel	x1	I Bench support	x1



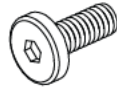
O Stool top	x3	Q Stool leg	x6
P Stool leg	x6	T Stool cushion	x3



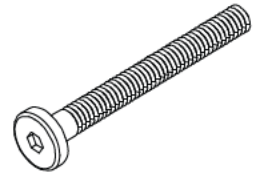
COMPONENTS

Please check you have all the panels listed below:

1 Bolt 6x15 x 12



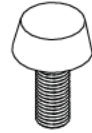
5 Bolt 6x60 x24



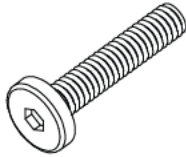
2 Washer x 86



6 insert x24



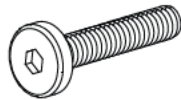
3 Bolt 6x35 x 50



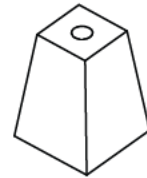
7 Allen key x2



4 Bolt 6x40 x 22



8 Leg x24

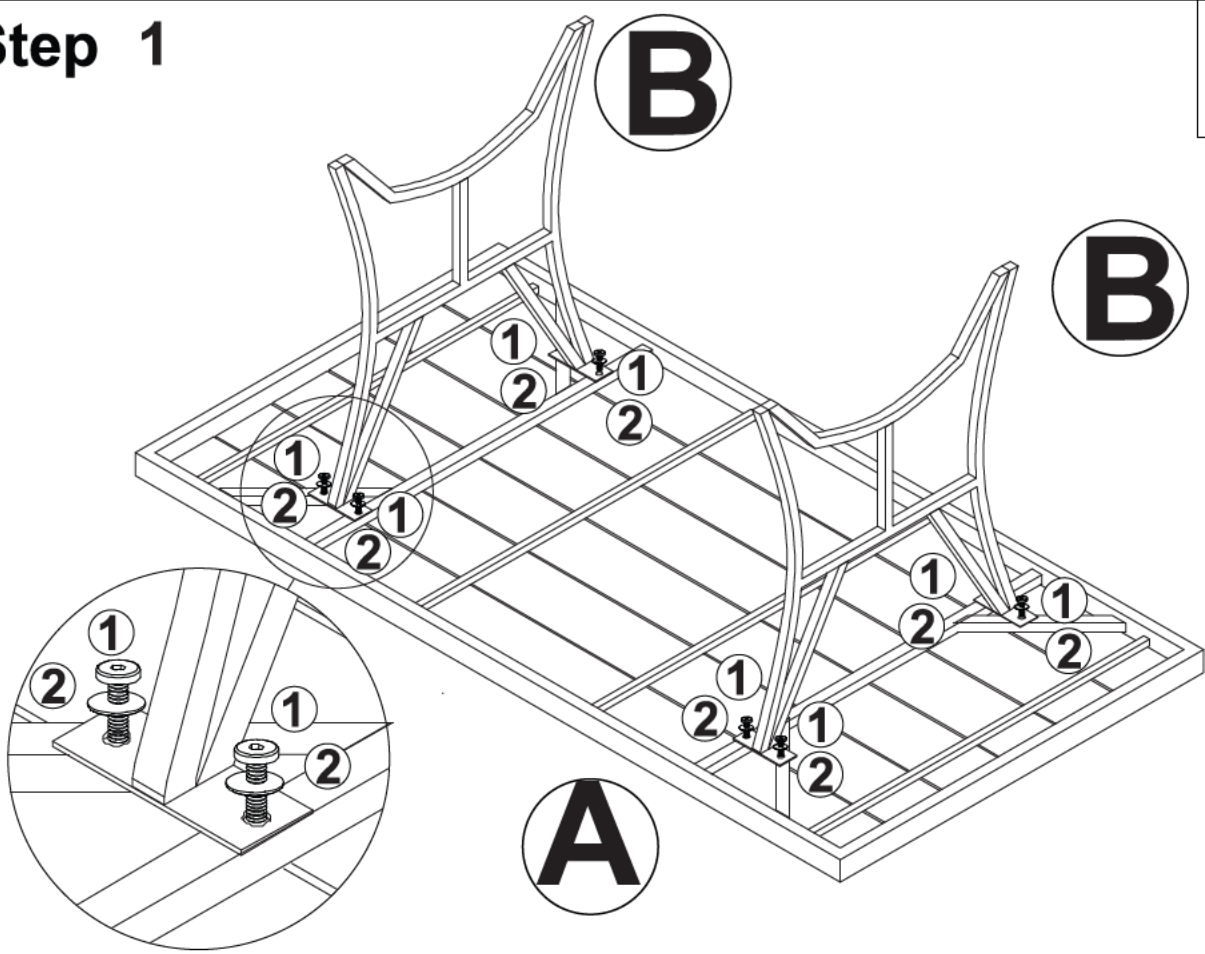
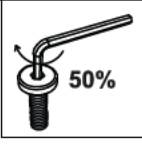


9 Leg insert x24

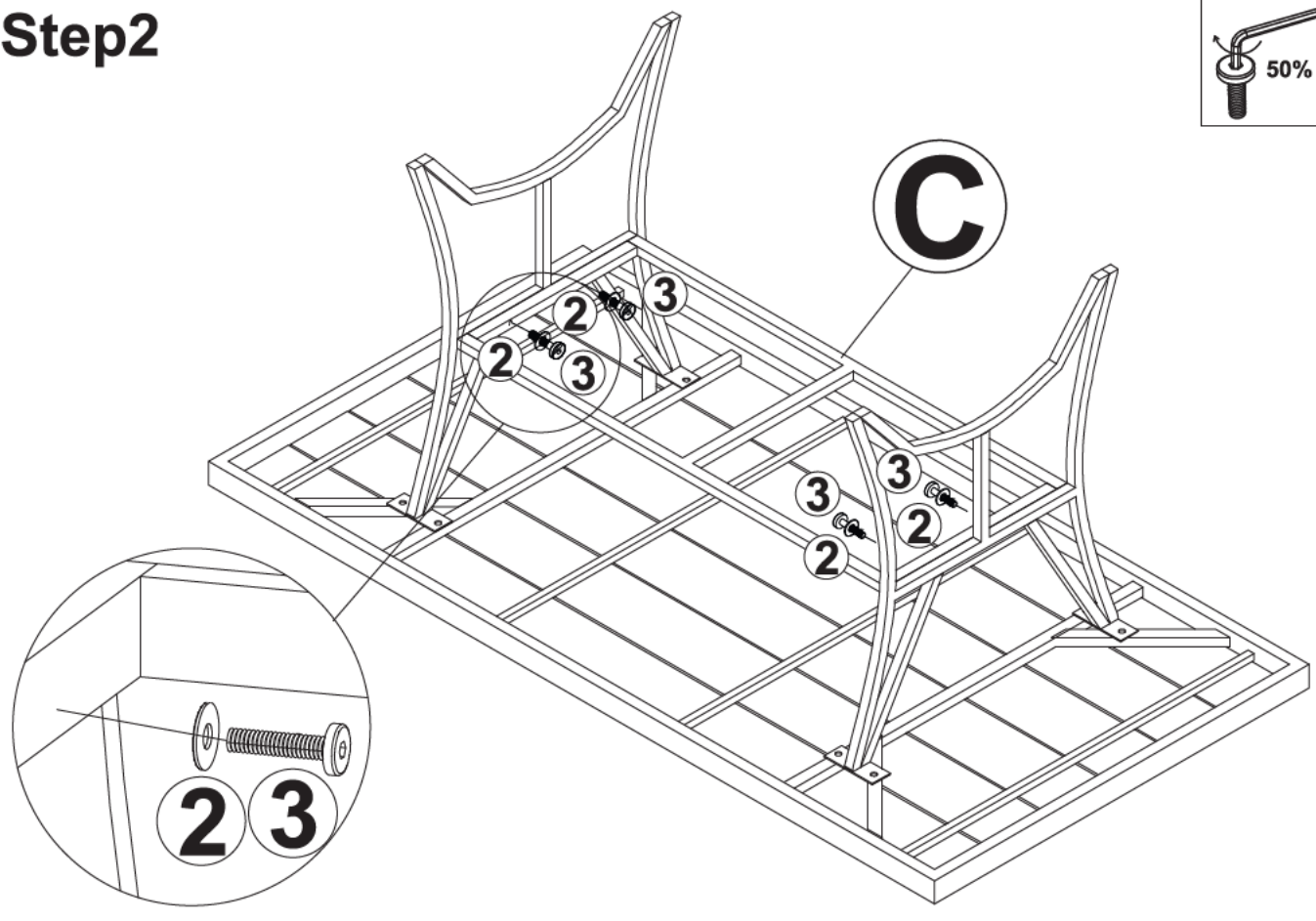
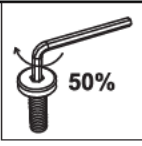


ASSEMBLY INSTRUCTIONS

Step 1

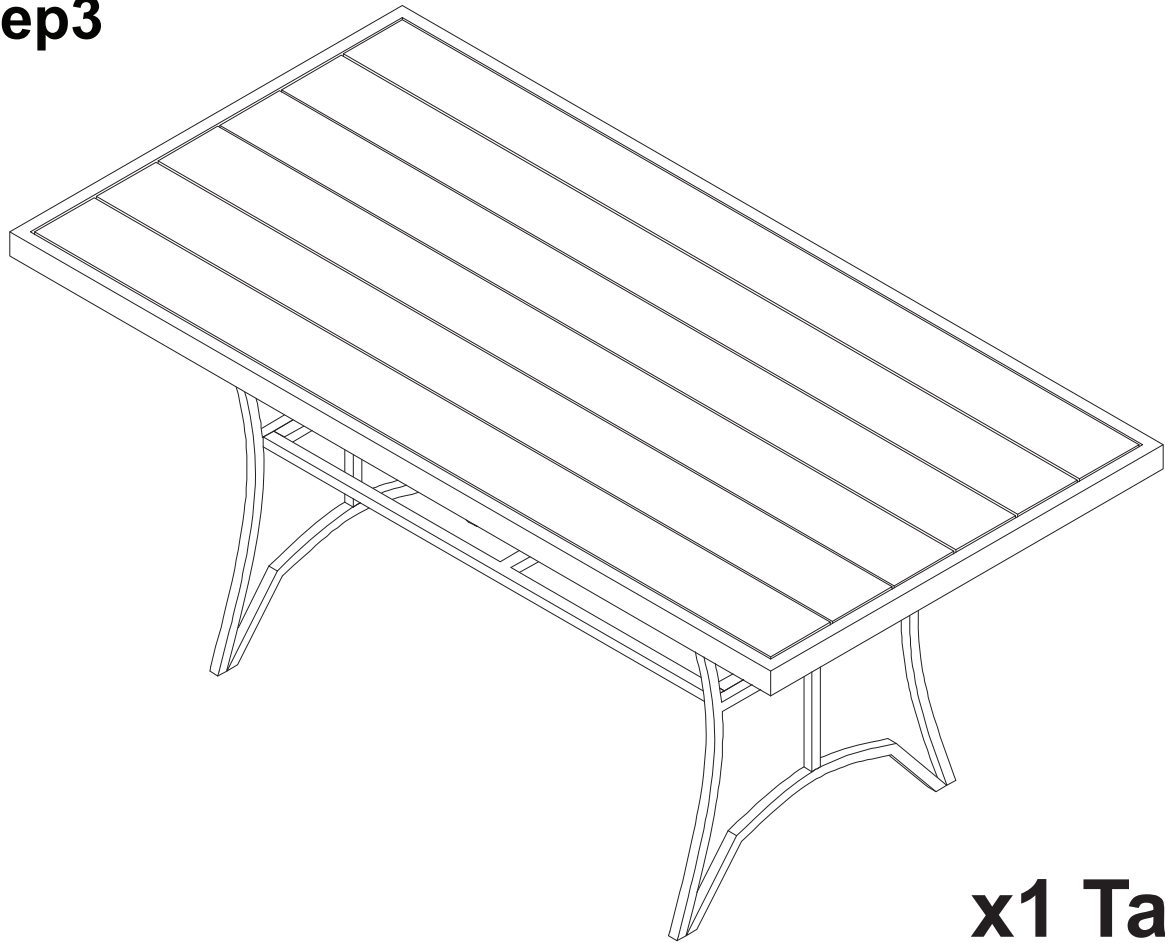


Step 2



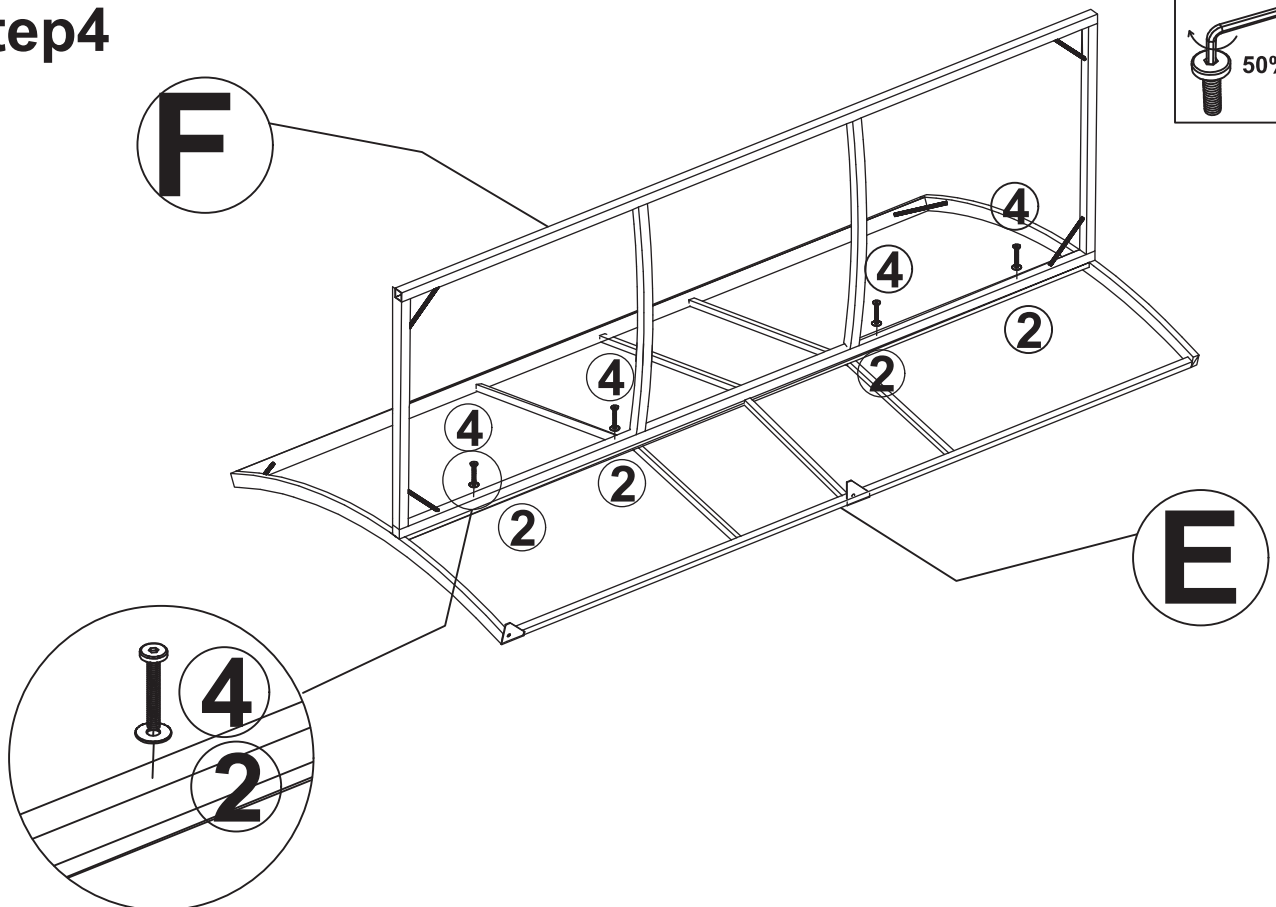
ASSEMBLY INSTRUCTIONS

Step3



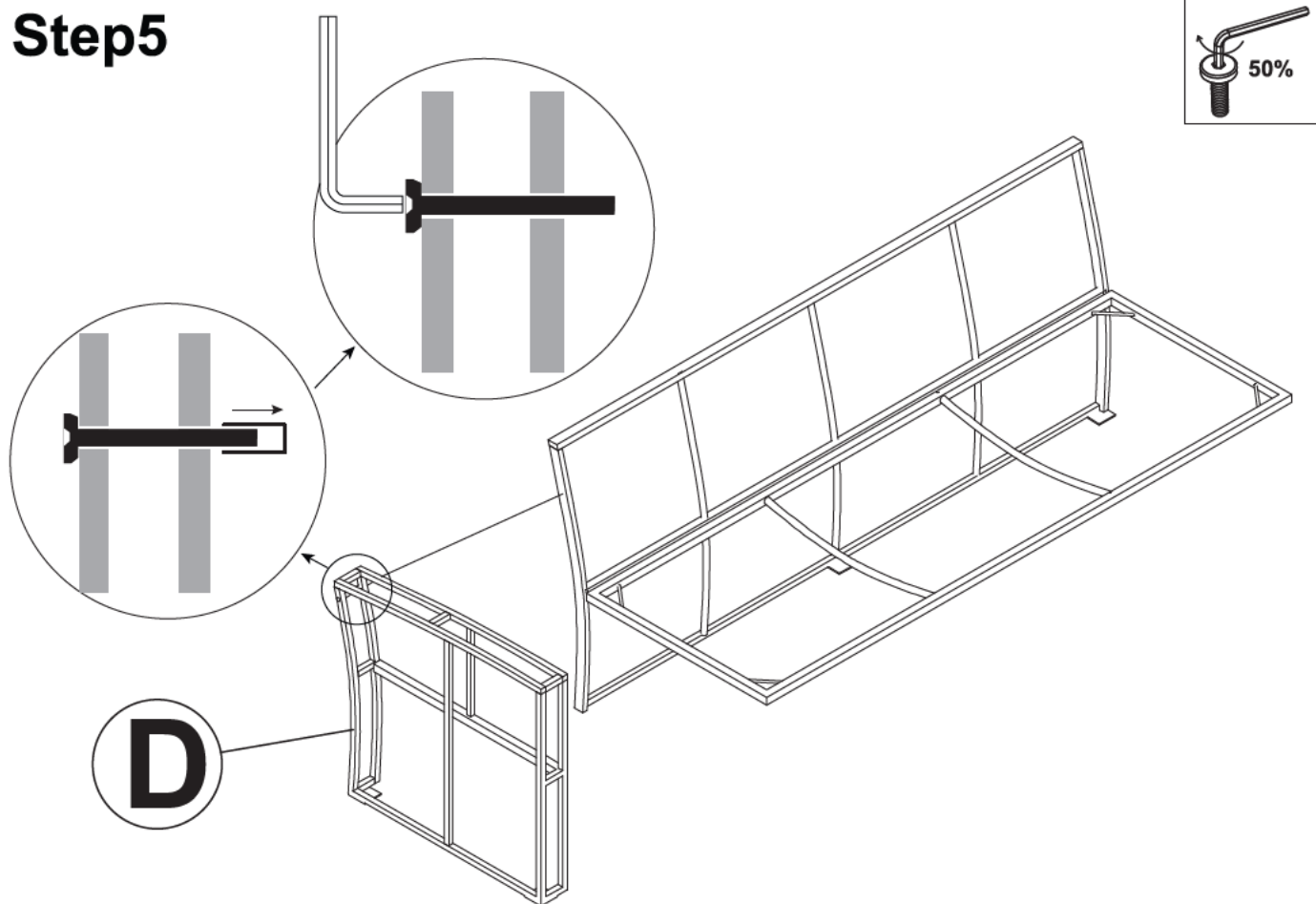
x1 Table

Step4

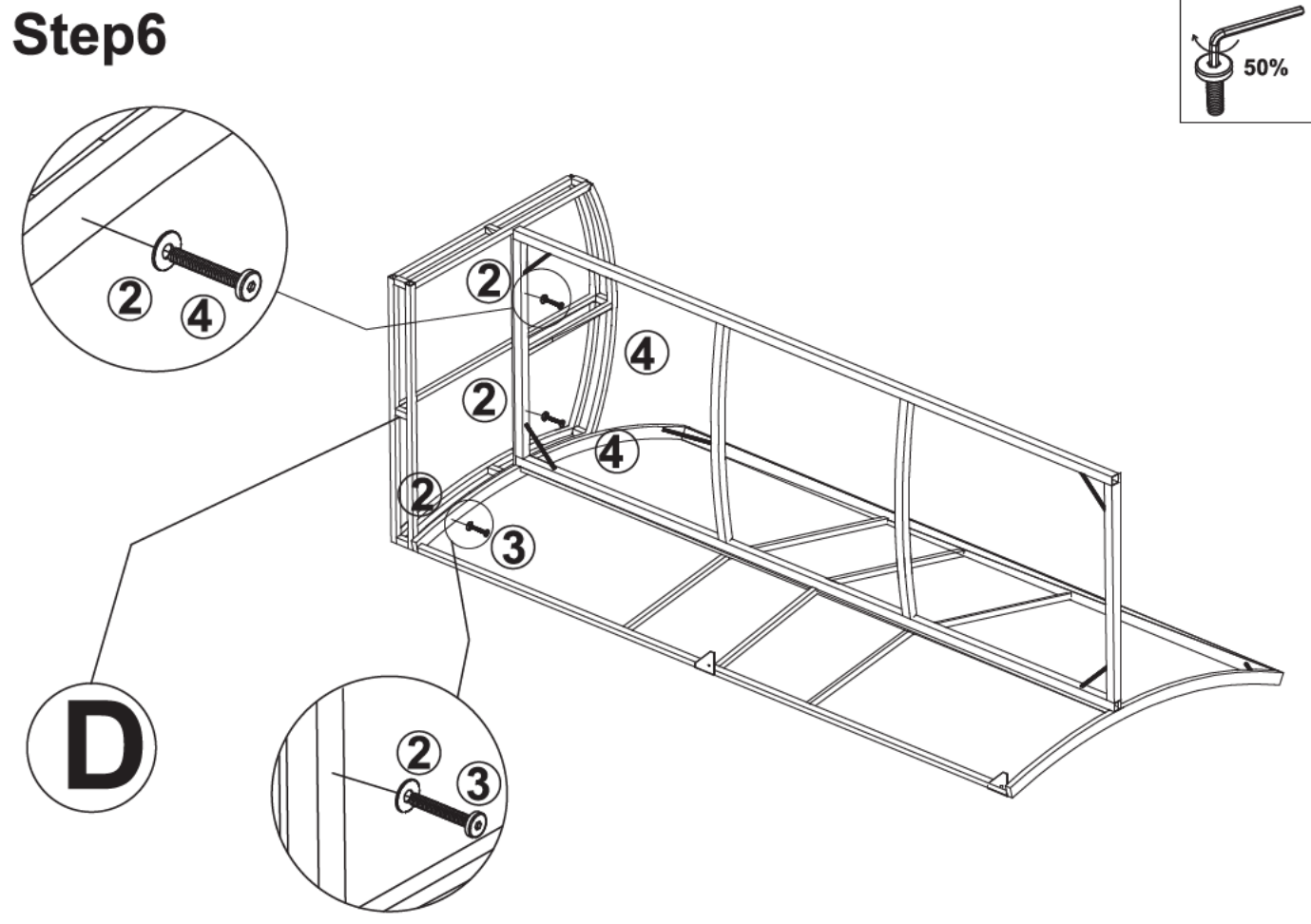


ASSEMBLY INSTRUCTIONS

Step 5

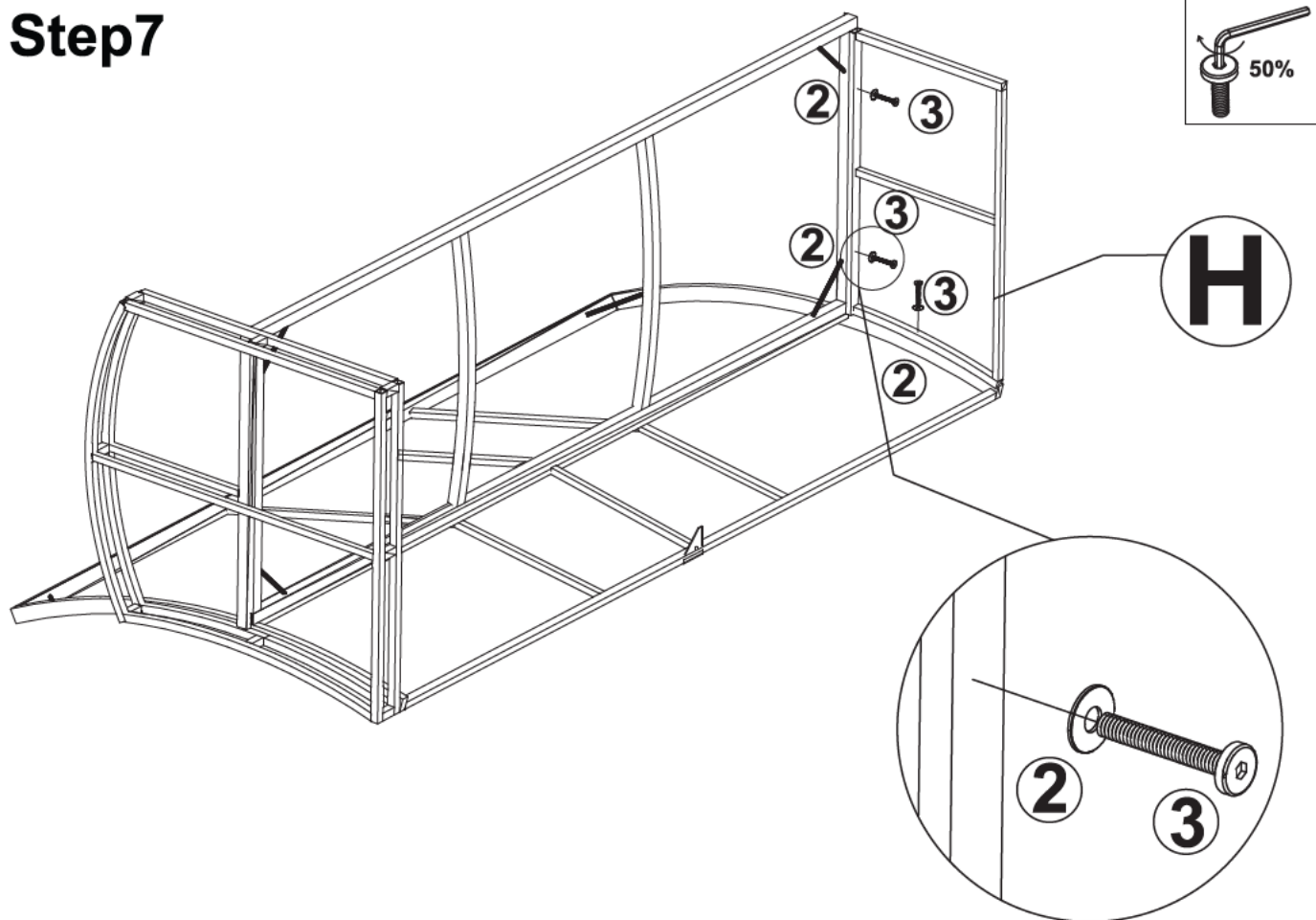


Step 6

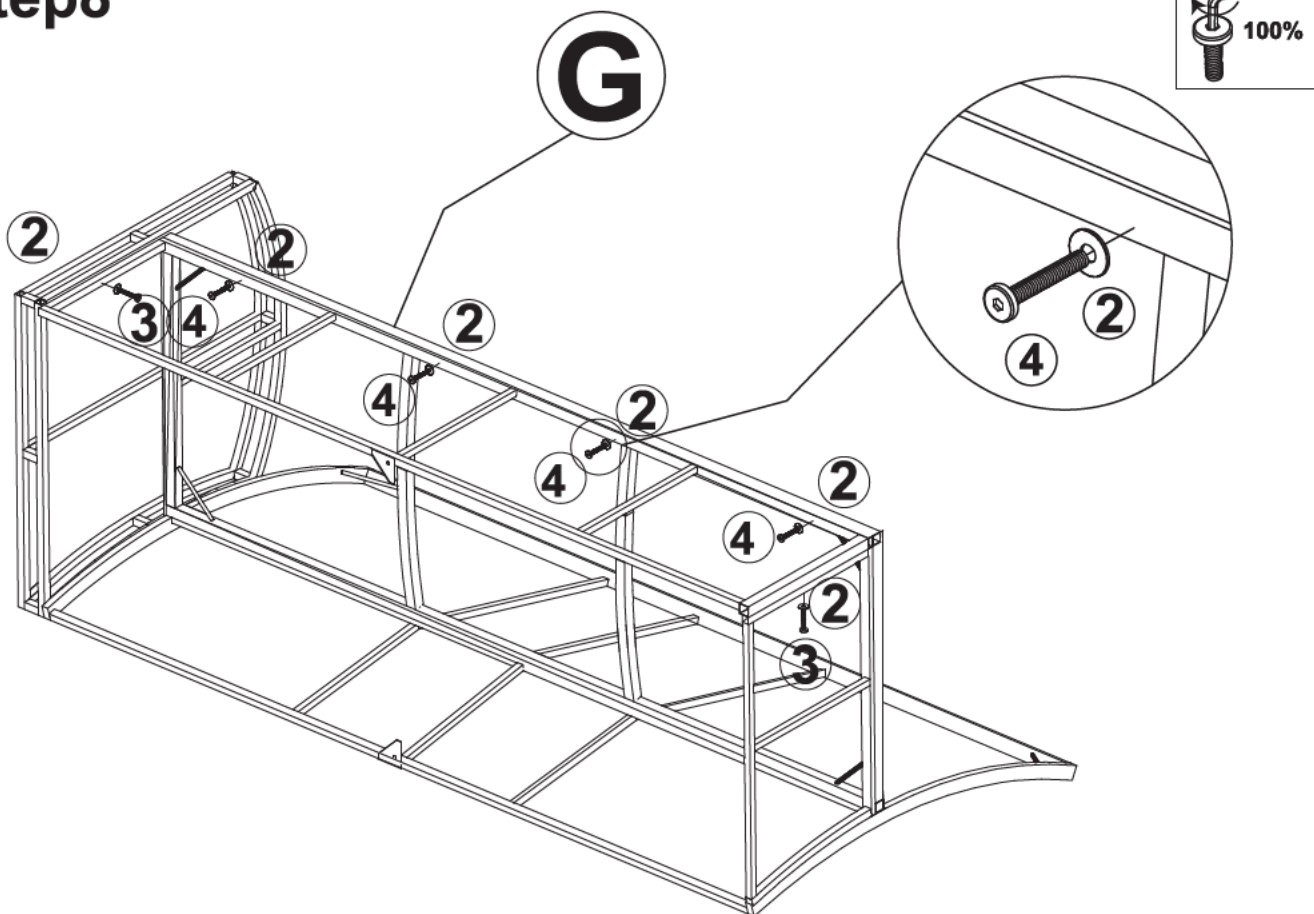


ASSEMBLY INSTRUCTIONS

Step 7



Step 8

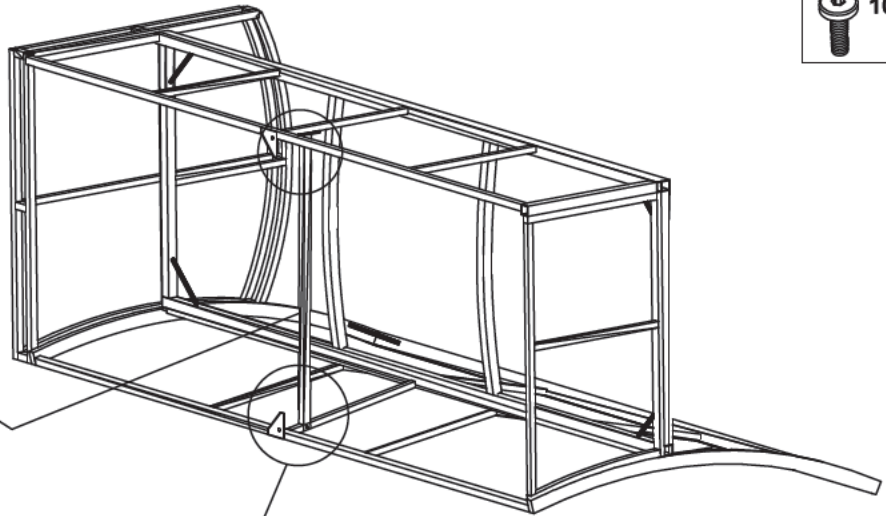
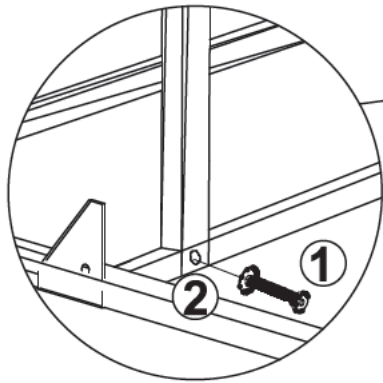


ASSEMBLY INSTRUCTIONS

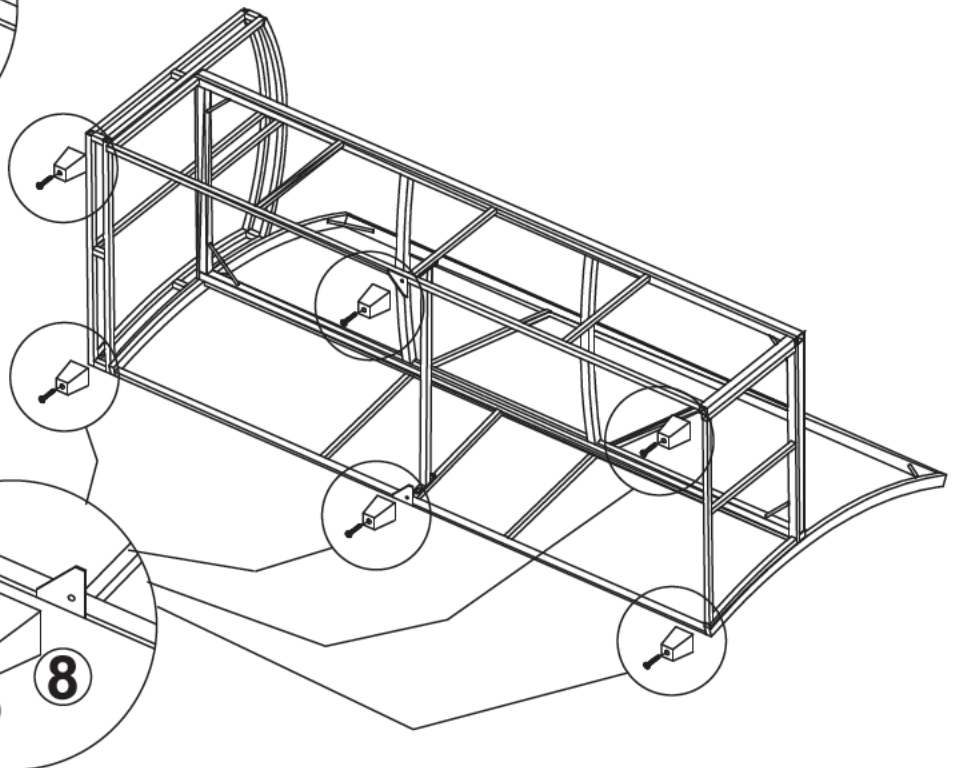
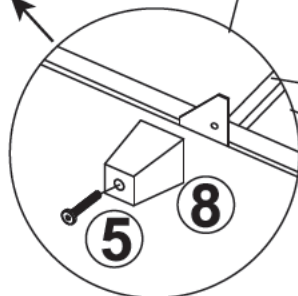
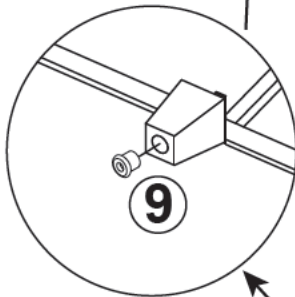
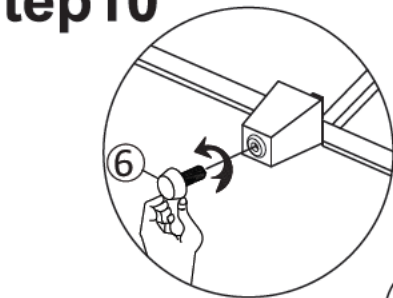
Step9



I

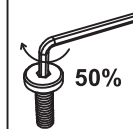
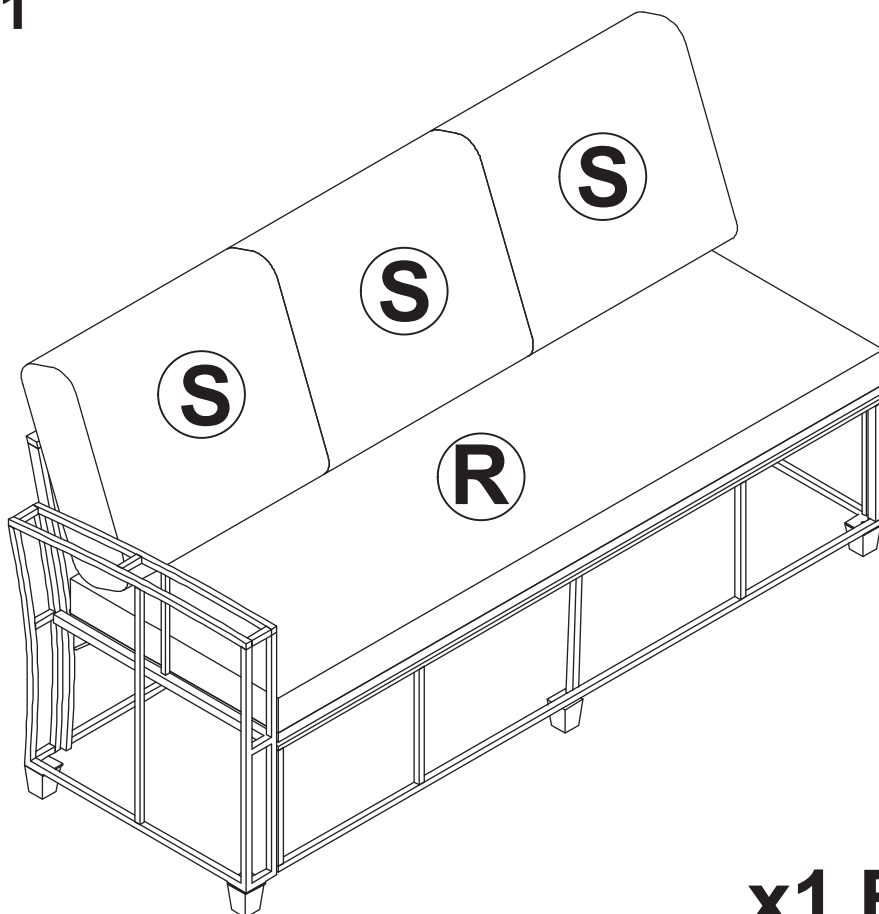


Step10



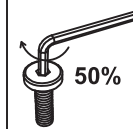
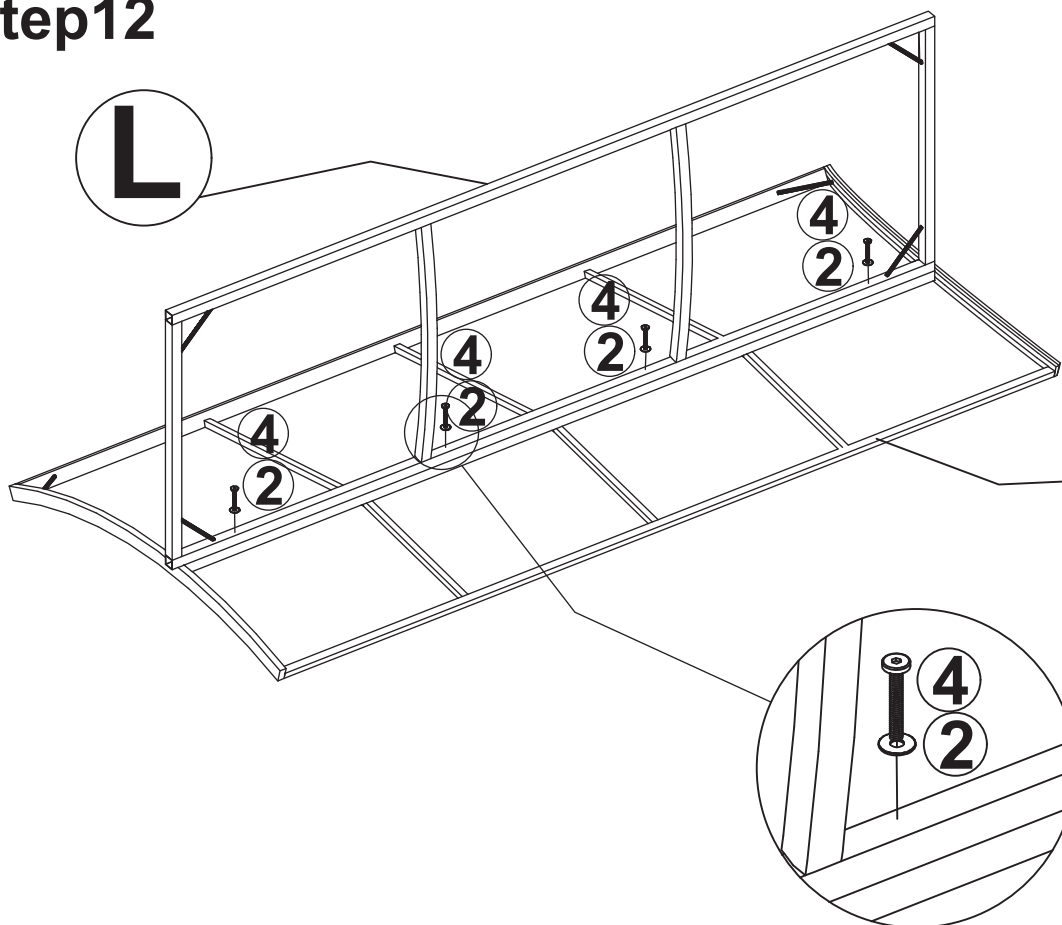
ASSEMBLY INSTRUCTIONS

Step11



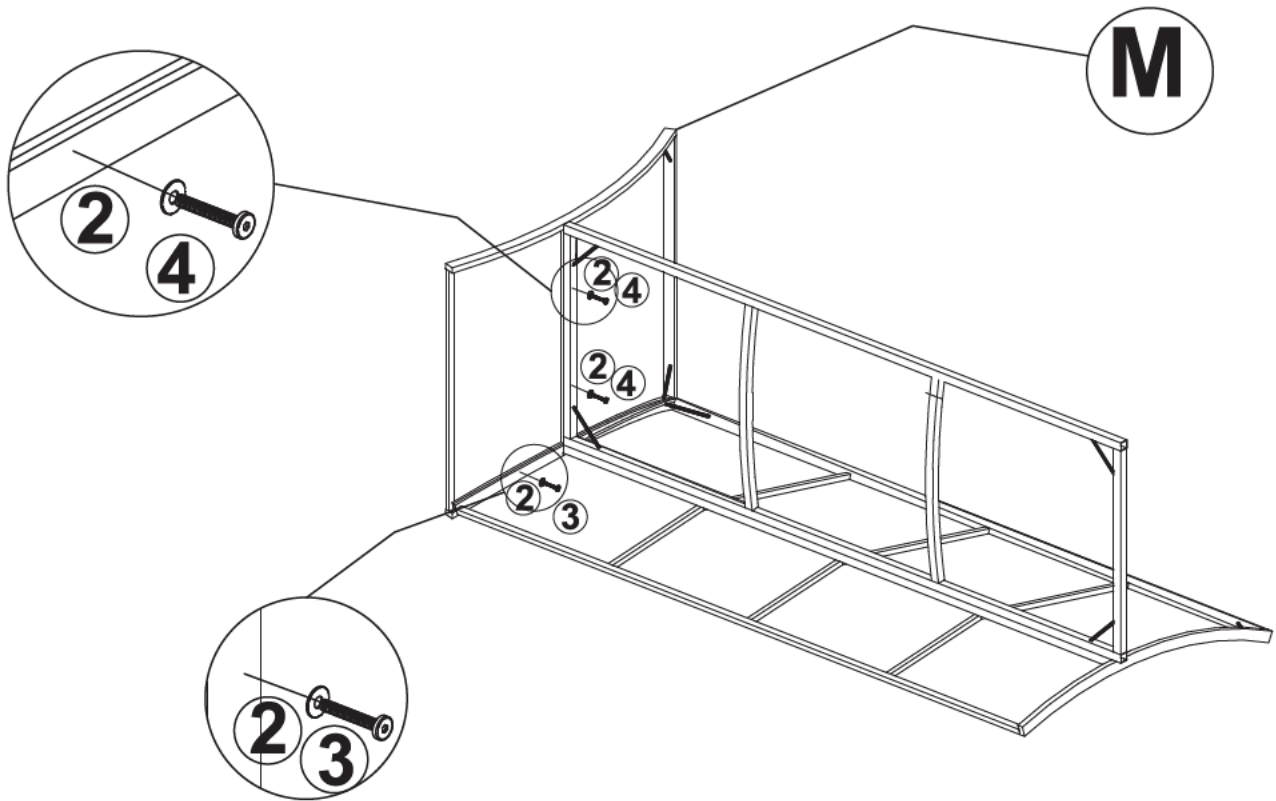
x1 Bench

Step12

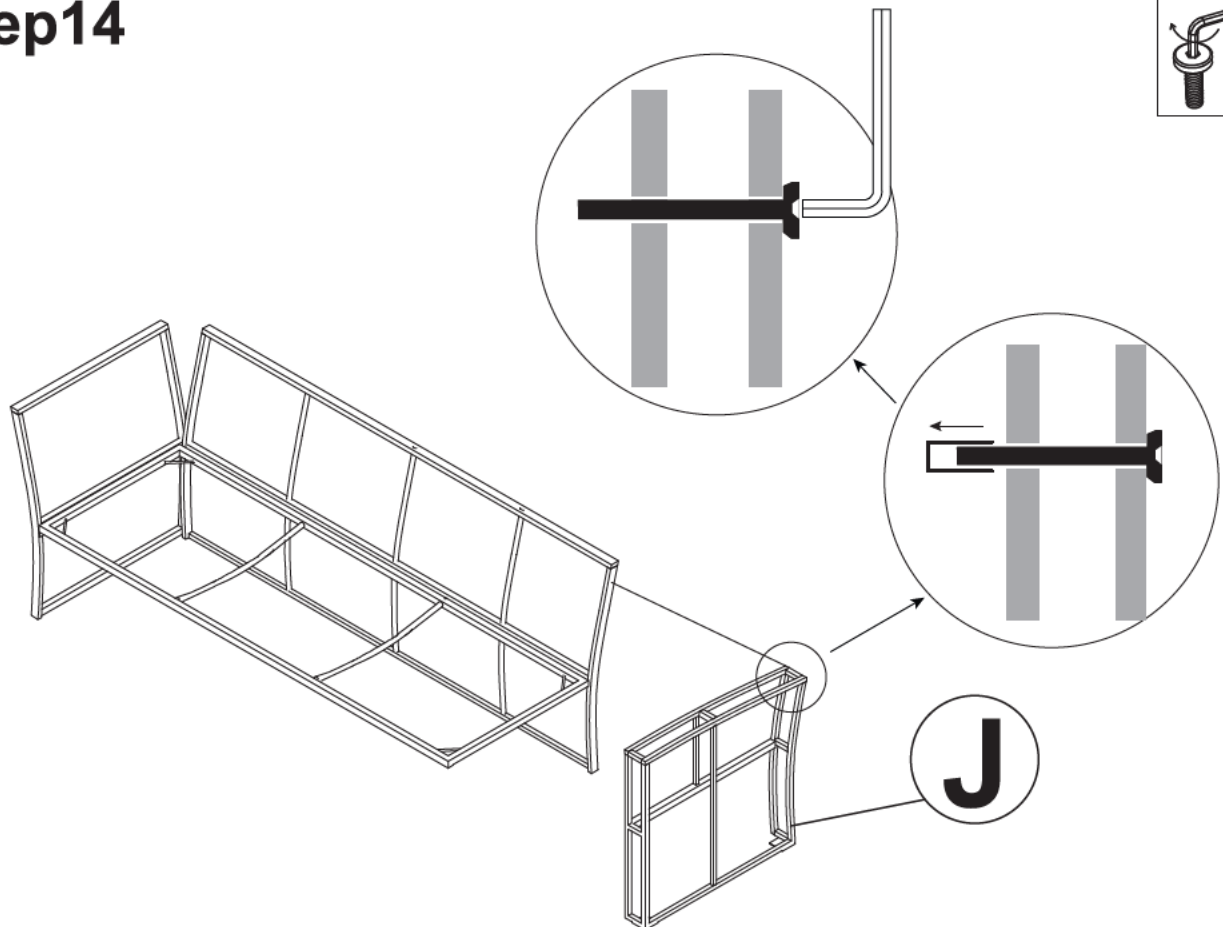


ASSEMBLY INSTRUCTIONS

Step13

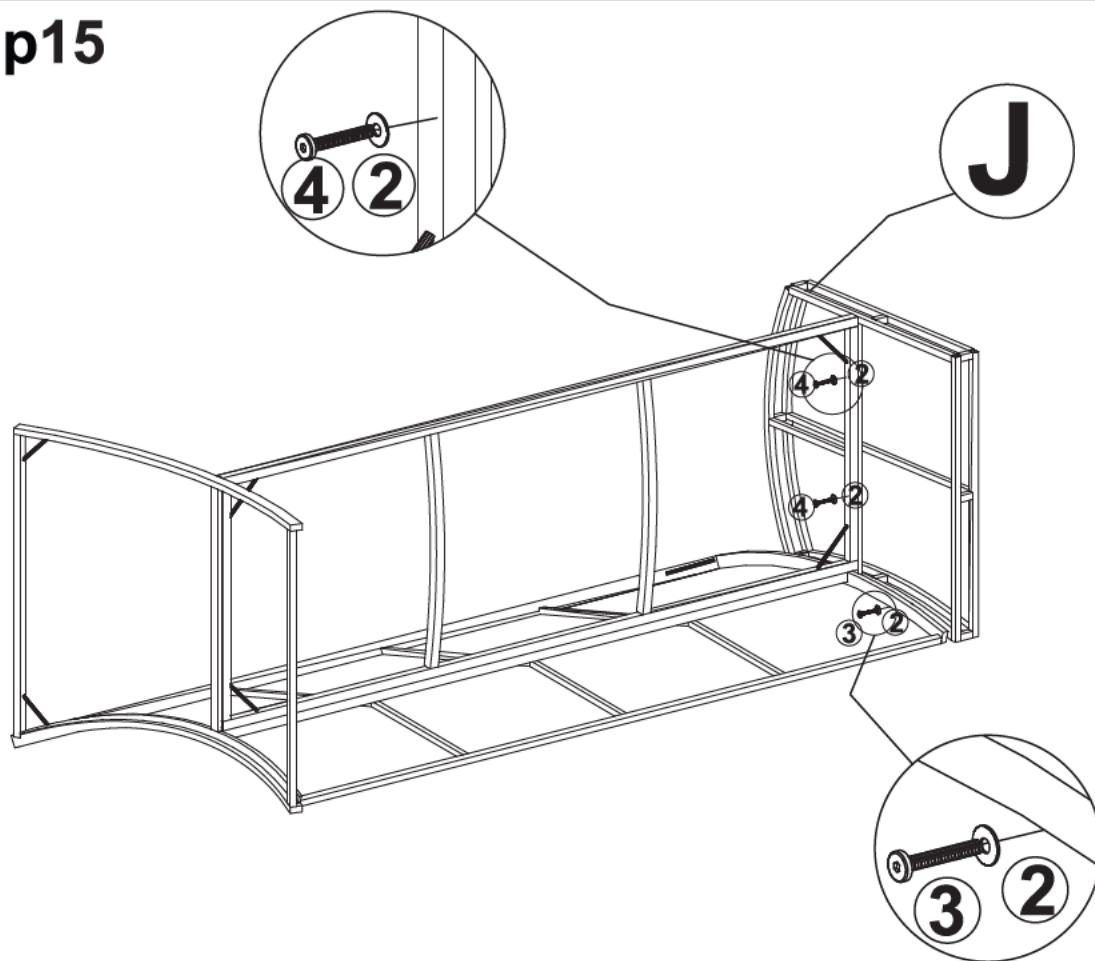


Step14

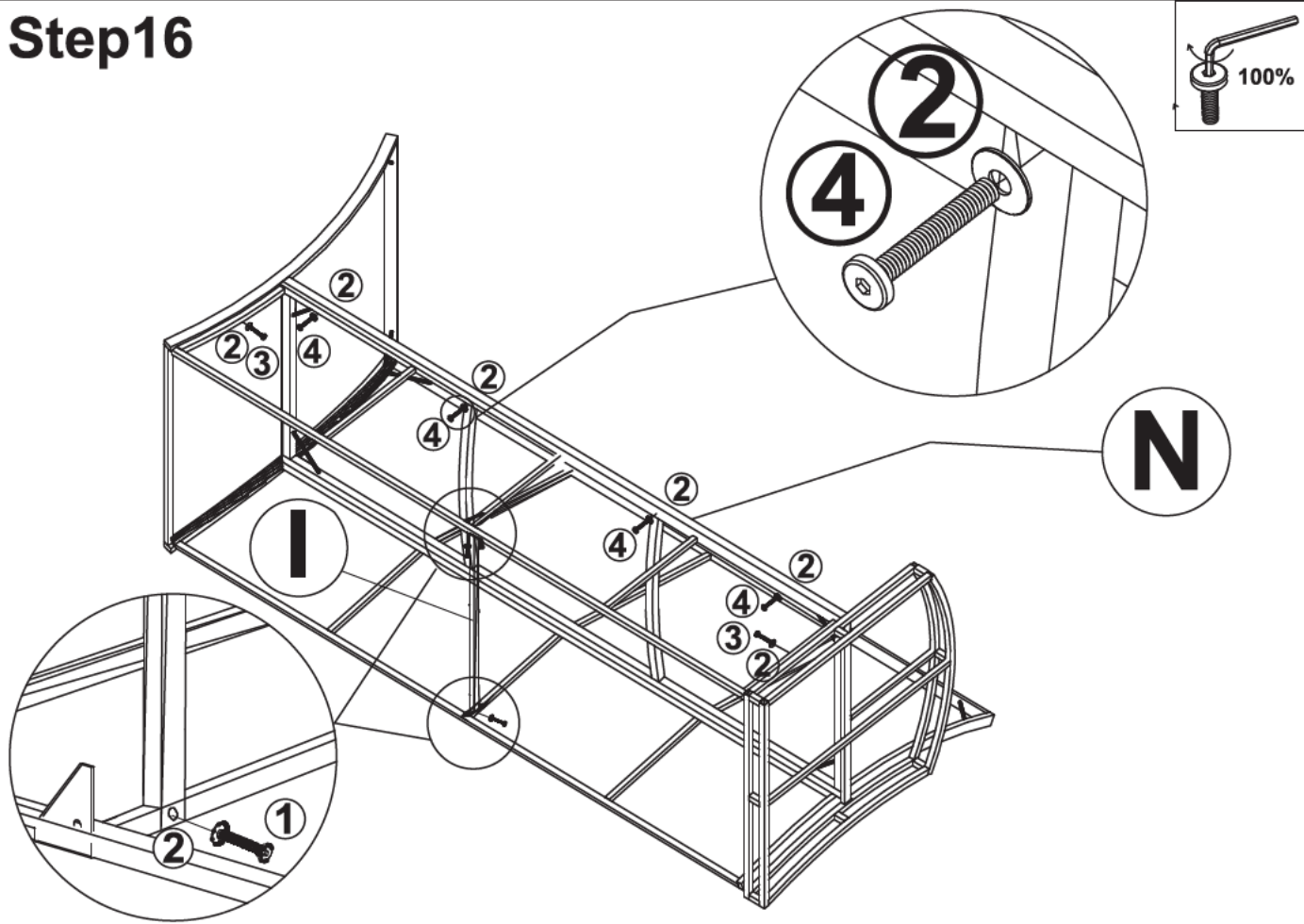


ASSEMBLY INSTRUCTIONS

Step 15

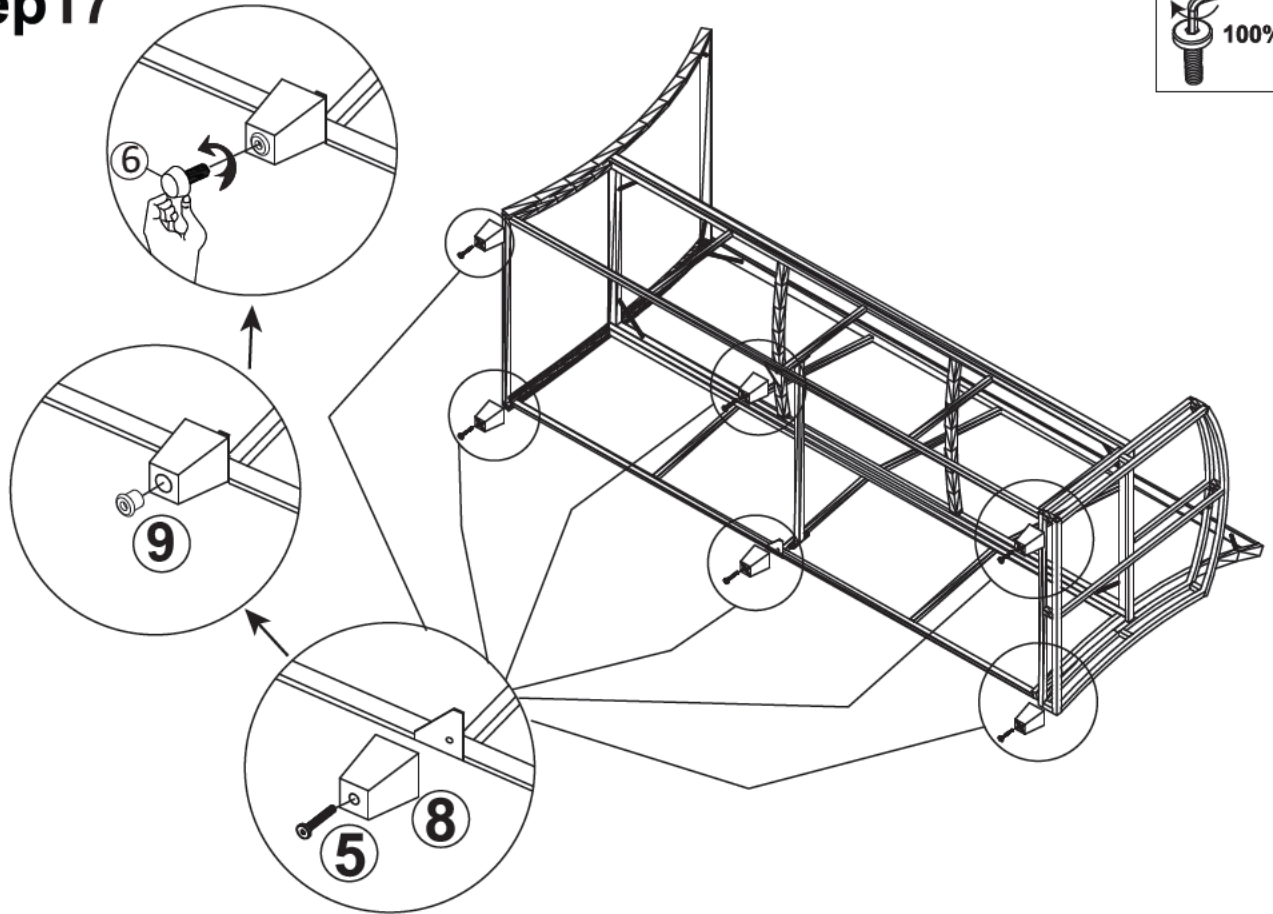


Step 16

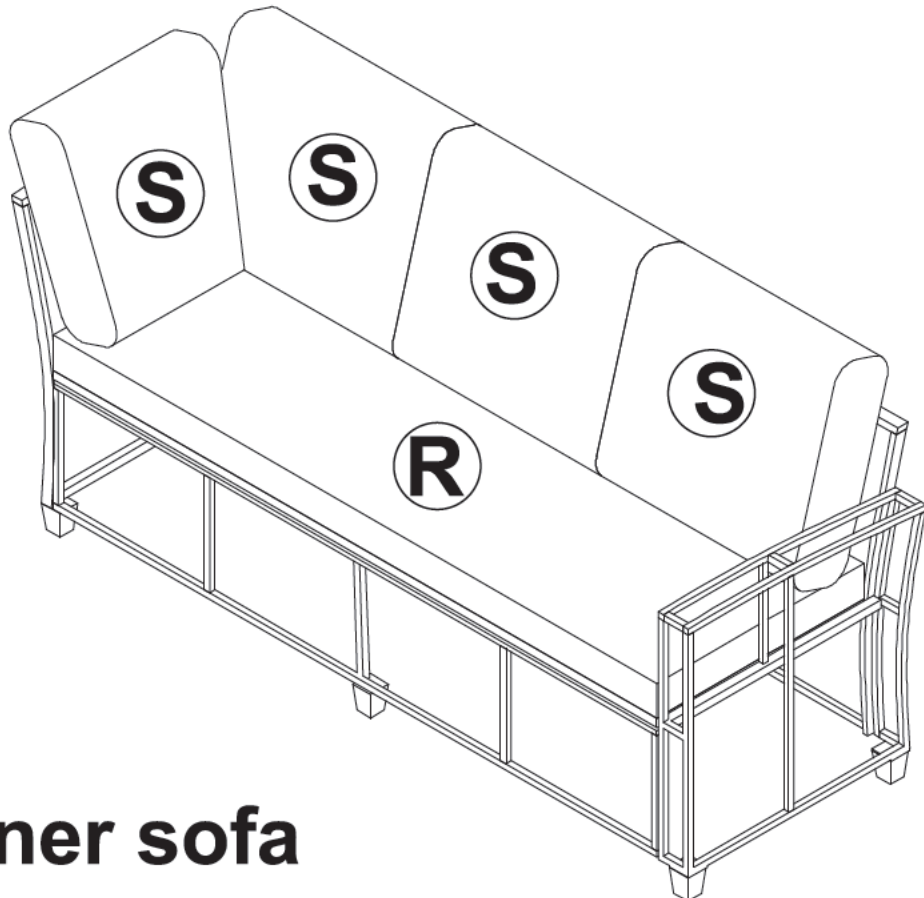


ASSEMBLY INSTRUCTIONS

Step 17



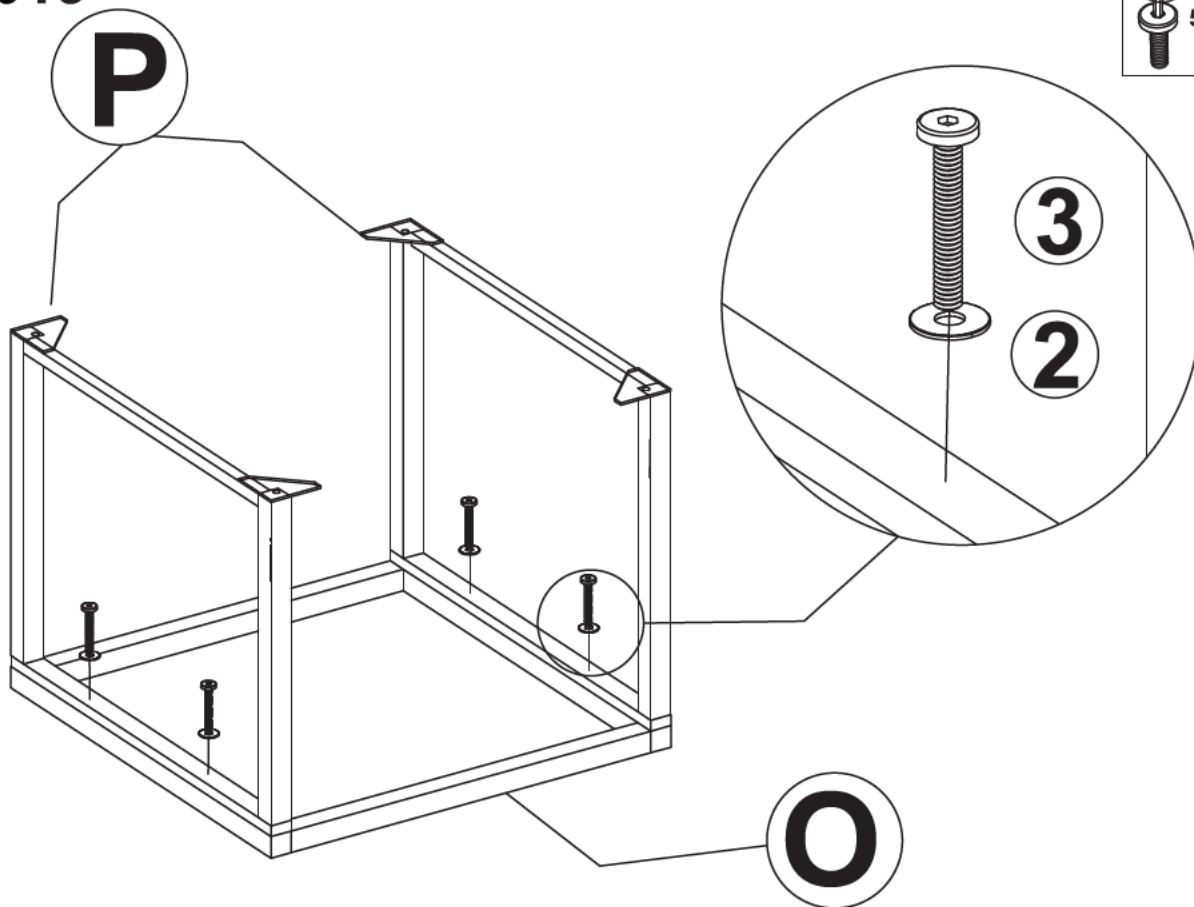
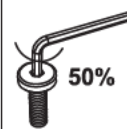
Step 18



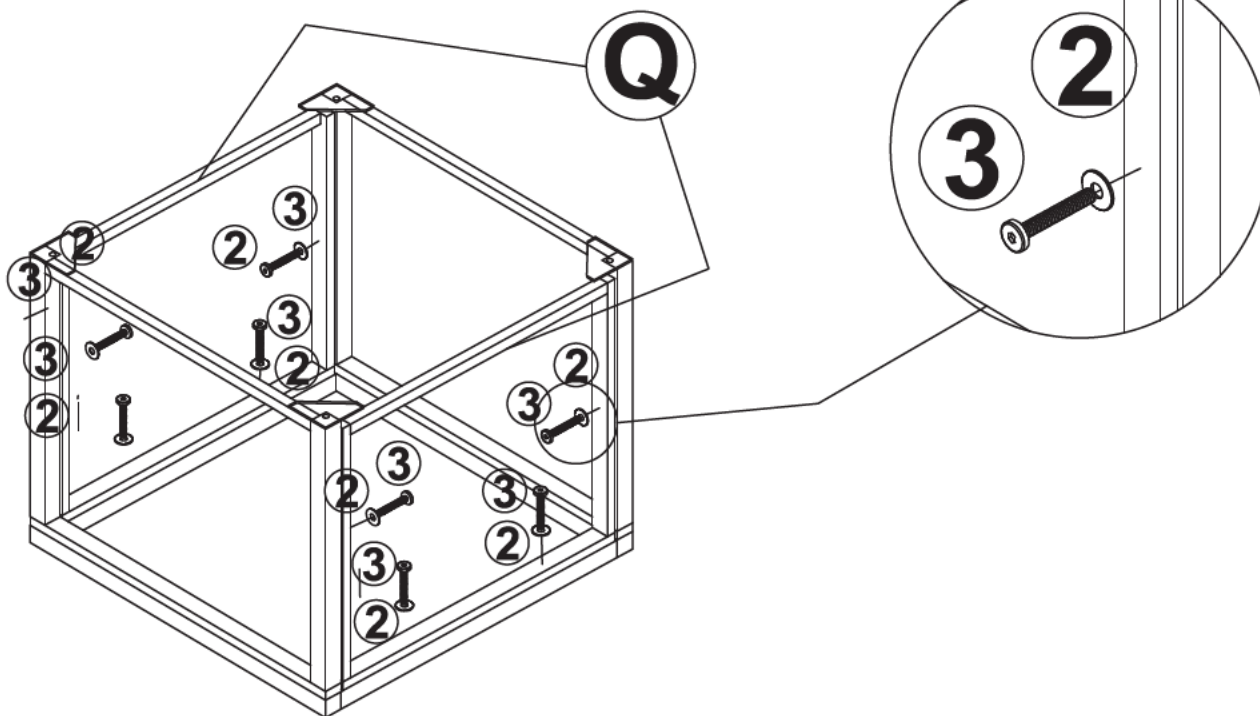
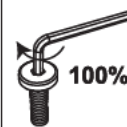
x1 Corner sofa

ASSEMBLY INSTRUCTIONS

Step 19

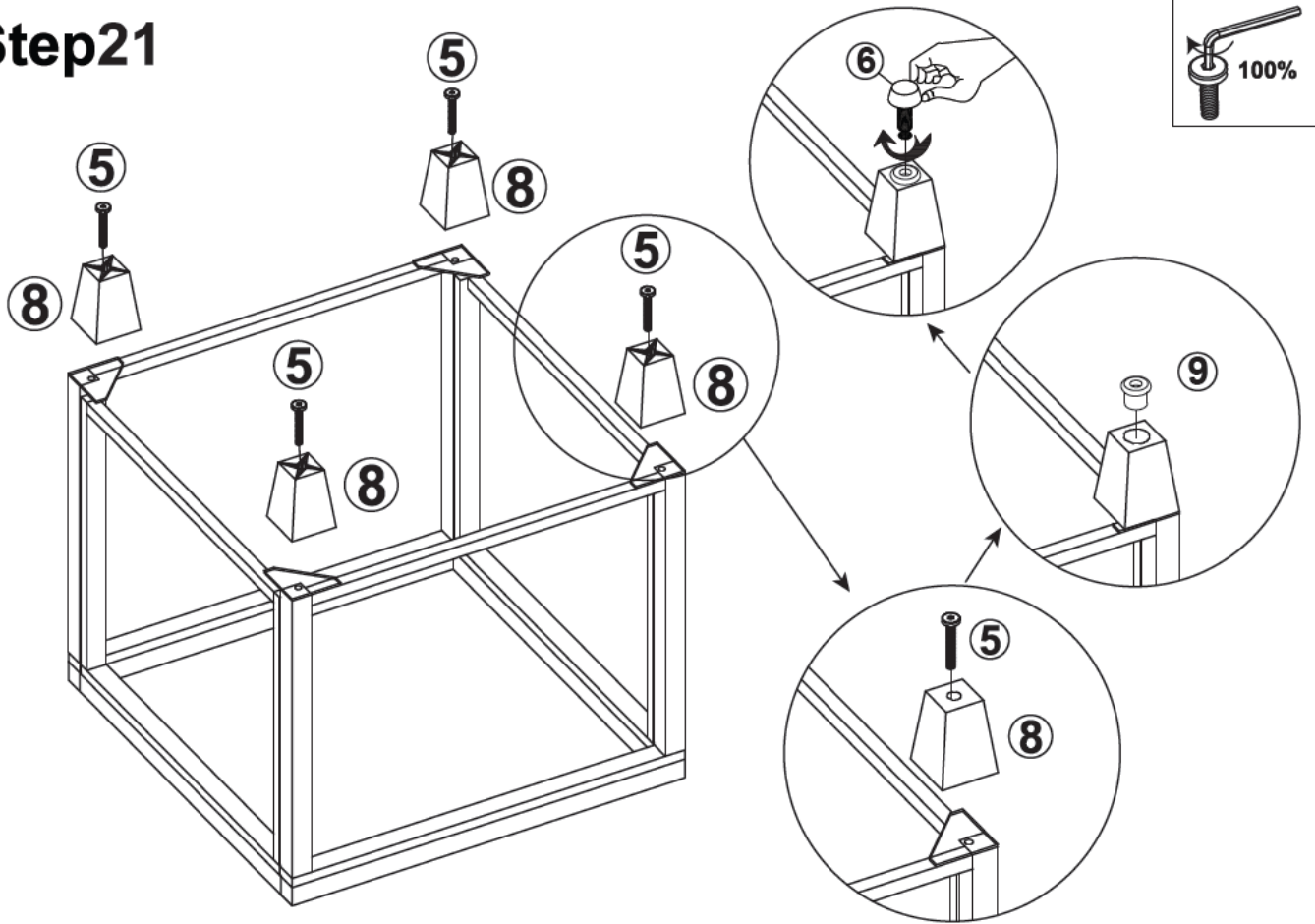


Step 20

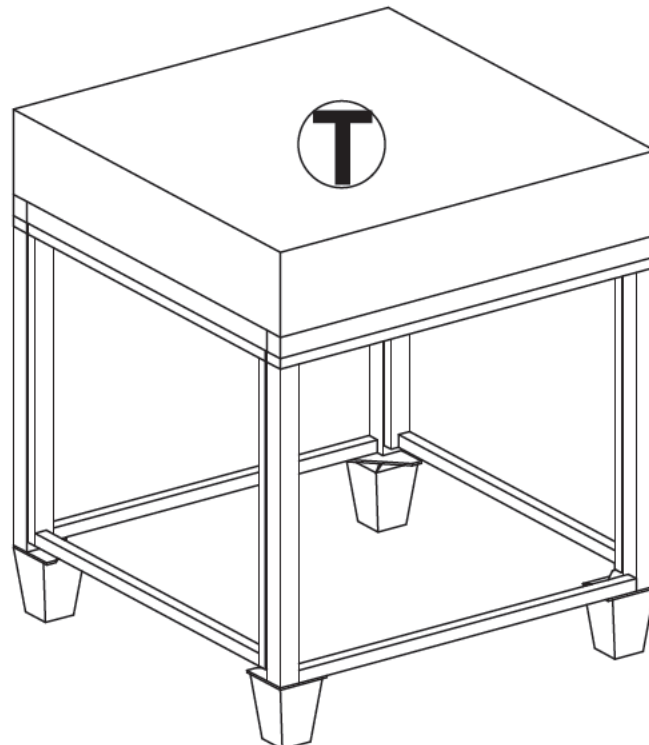


ASSEMBLY INSTRUCTIONS

Step21



Step22



x3 Stool