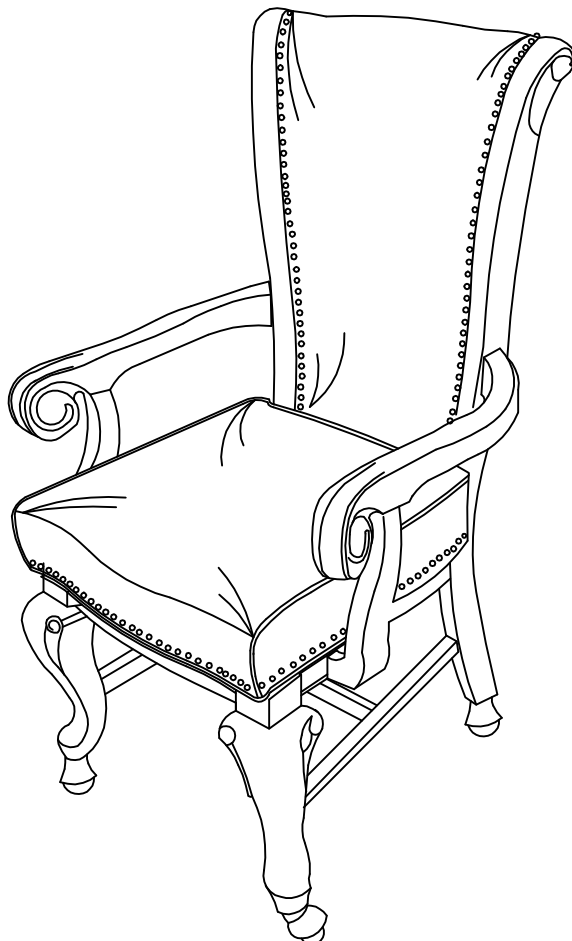


ASSEMBLY INSTRUCTIONS



TOOLS REQUIRED



Allen Wrench

(Included)



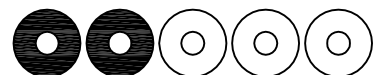
Phillips
Screwdriver

(Not Included)



2 - Persons
Recommended

ASSEMBLY RATING



EASY —————> DIFFICULT

The Assembly Rating is a 5-point system showing the level of effort needed to assemble a specific product.

Thank you for your purchase!

We hope you enjoy this new addition to your home for many years to come.

Our commitment to providing quality products does not simply end when you purchase our product. We fully stand behind our products from start to finish. Our customer service department is available and can help with assembly questions as well as, if necessary, replacing damaged or missing parts. To help expedite our service, please have these assembly instructions readily available, along with your order receipt.



CHECK BEFORE STARTING

Are you missing anything?

Double-check all parts, hardware and accessories listed on Page 6 are accounted for.

Check out our Quick Tips!

We recommend reviewing the pre-assembly handouts. Even experts need a refresher now and then!

Should we send any replacements?

Are there any irregularities or flaws in the parts? We can send replacements!

Prep Time!

Please review the assembly instructions and all diagrams prior to assembling. Arrange parts as recommended on Page 7 and group identical hardware together to make assembling easier.

PRE ASSEMBLY INTRODUCTION

We understand building ready-to-assemble furniture can be a challenging experience for some. To help avoid confusion, we have provided some helpful tips that may speed up the process.



Teamwork

ALWAYS have at least two people to help with transporting and assembling the product to avoid potential injury and/or damage.



Suitable Location

Assembling near the area of the intended location is highly recommended.



Sufficient Space

Make sure you have enough space to move around during the assembly.



Avoid Scratches

Use cardboard, blankets or a carpeted area while assembling furniture to prevent to prevent scratches and damages.



Flat Surface

Make sure the furniture rests on a flat and level surface with each leg evenly touching the floor.

ASSEMBLY AND CARE ADVICE



FAILURE TO FOLLOW THE GUIDELINES BELOW MAY RESULT IN INJURY AND/OR PROPERTY DAMAGE.



Position each part correctly and insert screws or bolts into their respective holes.



Turn clockwise to tighten and only tighten when step is completed or when instructed to do so.



Use the appropriate hand tools or power tools for assembly. Select steps, such as tightening screws and/or bolts, may require hand tools to avoid causing damage during assembly.



Save the instructions and store any supplied tools for later maintenance.



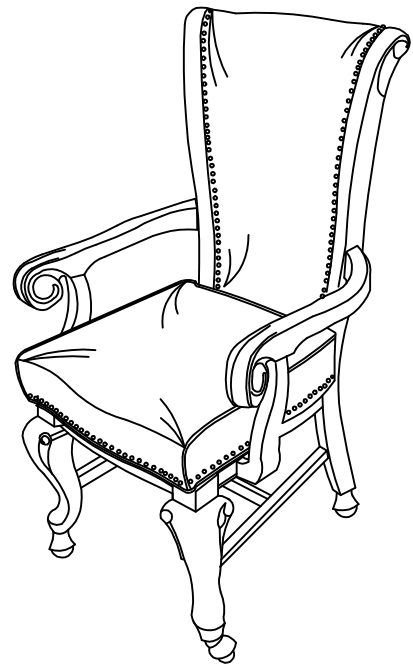
After two weeks, check and tighten any loose hardware and repeat again every six months thereafter.

IT IS THE USER'S RESPONSIBILITY TO MAINTAIN THE FURNITURE. THE HARDWARE MAY LOOSEN OVER TIME AND MAY CAUSE THE FURNITURE TO BE WOBBLY AND UNABLE TO SUPPORT ITS INTENDED WEIGHT CAPACITY. THIS MAY LEAD TO COLLAPSE AND MAY CAUSE SERIOUS INJURY.

ARM CHAIR

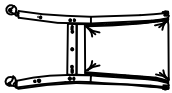


- Please keep instructions for future reference.
- Check the quantity and irregularity of parts and hardware before you start.



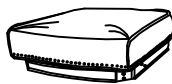
PARTS

#1 1pc



Chair Back

#2 1pc



Seat Cushion

#3 1pc



Left Leg

#4 1pc



Right Leg

#5 1pc



Left Arm

#6 1pc



Right Arm

#7 1pc



Right Crossbars

#8 1pc



Left Crossbars

#9 1pc



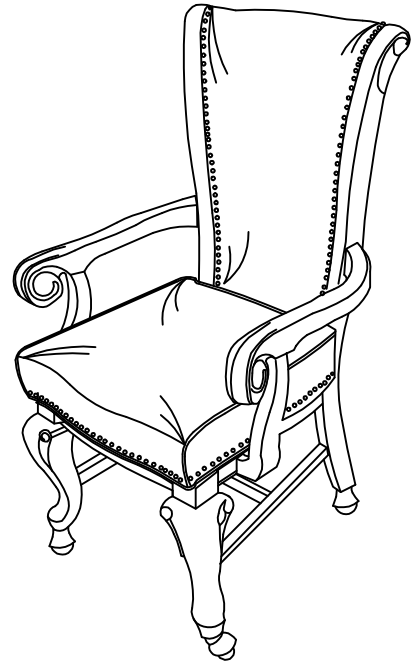
Centre Crossbars

ARM CHAIR

CM-GM367-AC-2PK

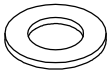


- Please keep instructions for future reference.
- Check the quantity and irregularity of parts and hardware before you start.



HARDWARE

#A 14pcs



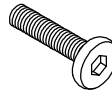
Flat Washer Ø1/4"

#B 14pcs



Lock Washer Ø1/4"

#C 4pcs



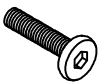
Bolt Ø1/4" x3"

#D 4pcs



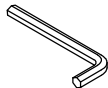
Bolt Ø1/4" x2-1/2"

#E 6pcs



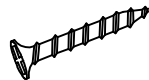
Bolt Ø1/4" x2"

#F 1pc



Allen Wrench M4

#G 6pcs



Screws #8x1-3/4"

#H 2pcs



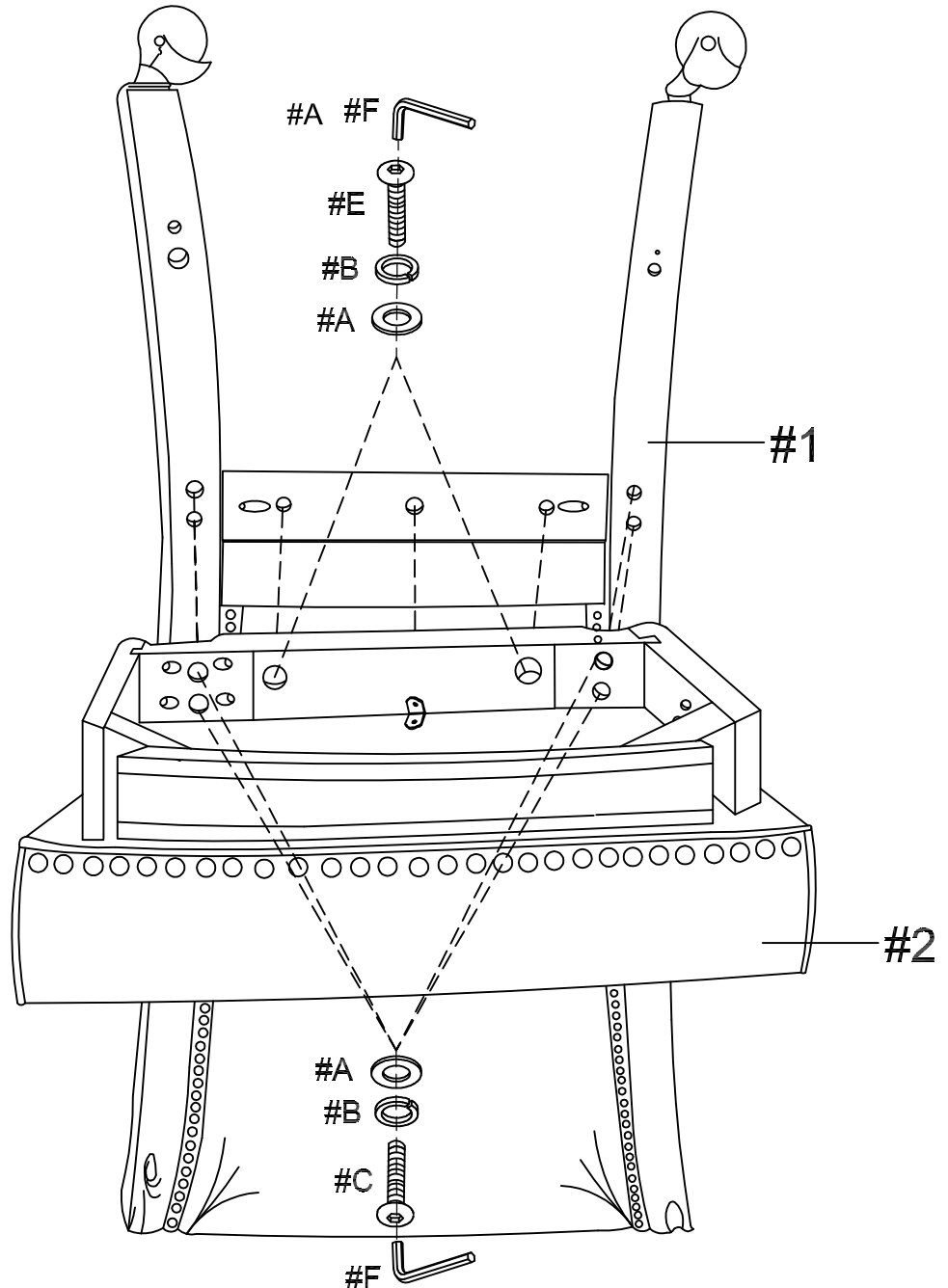
Screws #8x1"

ASSEMBLY INSTRUCTIONS

1

1) Prepare 2 bolts assembly by inserting lock washer (#B), then flat washer (#A) onto bolts (#E). Align seat cushion (#2) to the holes of the chair back (#1). Secure middle holes with bolts (#E).

- Part #1 x 1pc
- Part #2 x 1pc
- Hardware #A x 6pcs
- Hardware #B x 6pcs
- Hardware #C x 4pcs
- Hardware #E x 2pcs
- Hardware #F x 1pc



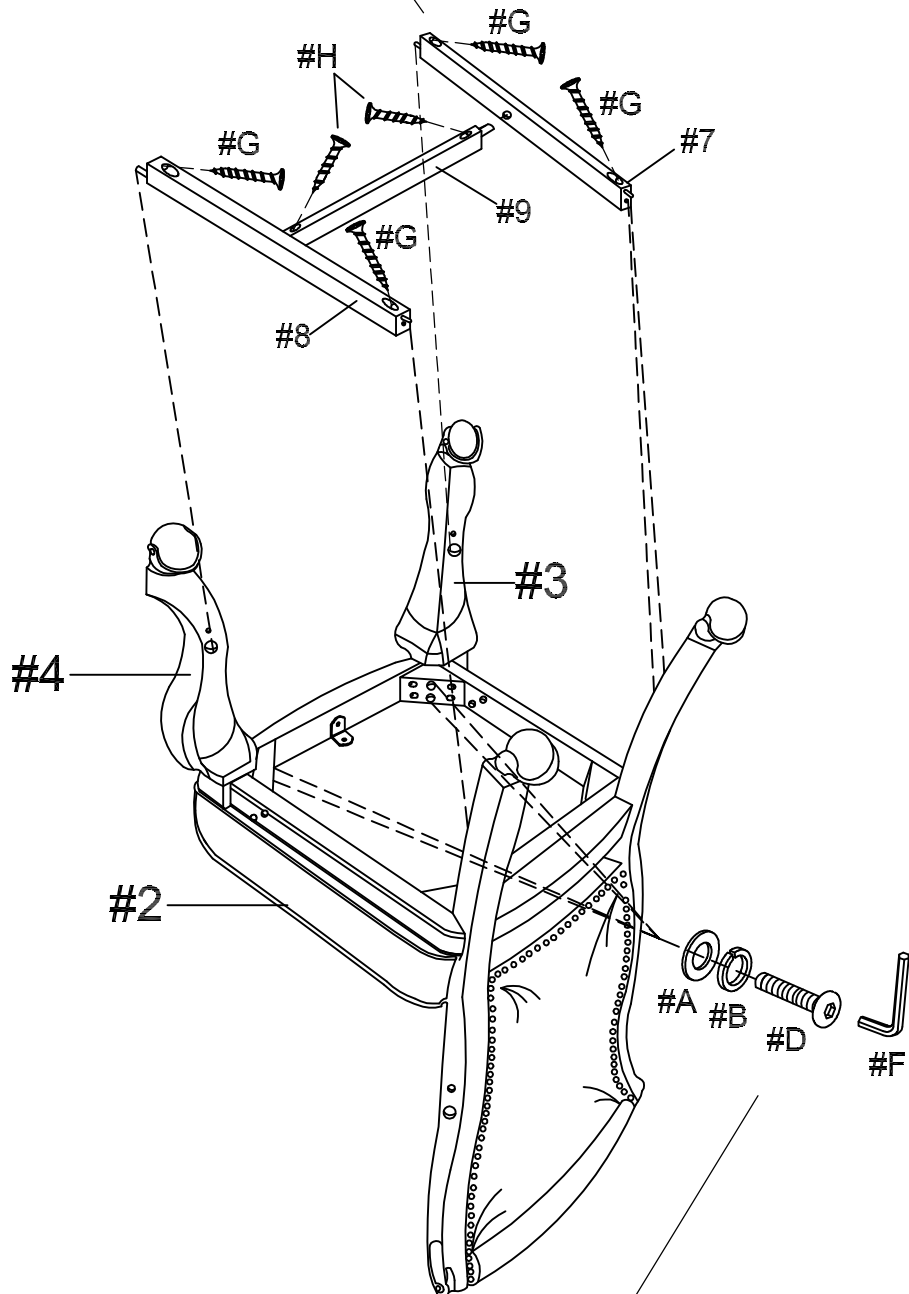
2) Prepare 4 bolts assembly by inserting lock washer (#B), then flat washer (#A) onto bolts (#C). Secure corner holes of the seat cushion (#2) with bolts (#C).

ASSEMBLY INSTRUCTIONS

2

2) Align crossbars (#7,8,9) in-between the legs of the chair as shown in the picture. Secure middle crossbar (#9) to side crossbars (#7,8) with screws (#H). Secure crossbars (#7,8) to legs with screws (#G).

- Part (#3) x 1pc
- Part (#4) x 1pc
- Part (#7) x 1pc
- Part (#8) x 1pc
- Part (#9) x 1pc
- Hardware (#A) x 4pcs
- Hardware (#B) x 4pcs
- Hardware (#D) x 4pcs
- Hardware (#G) x 4pcs
- Hardware (#H) x 2pcs



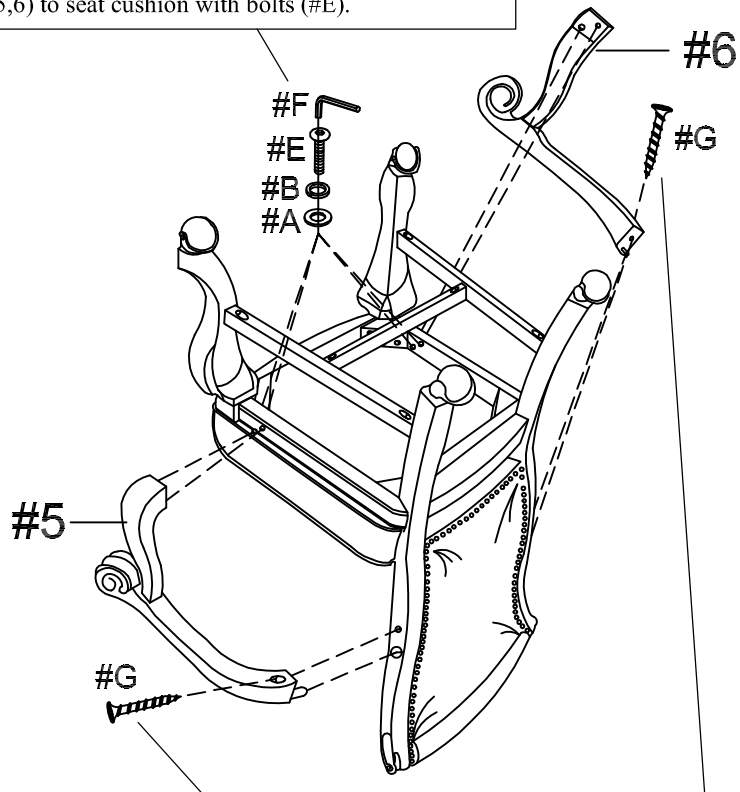
1) Prepare 4 bolts assembly by inserting lock washer (#B), then flat washer (#A) onto bolts (#D). Align left and right legs (#3,4) to the holes of the seat cushion (#2) as shown in the picture. Secure with bolts (#D), but do not tighten.

ASSEMBLY INSTRUCTIONS

3

- Part #5 x 1pc
- Part #6 x 1pc
- Hardware #A x 4pcs
- Hardware #B x 4pcs
- Hardware #E x 4pcs
- Hardware #F x 1pc
- Hardware #G x 2pcs

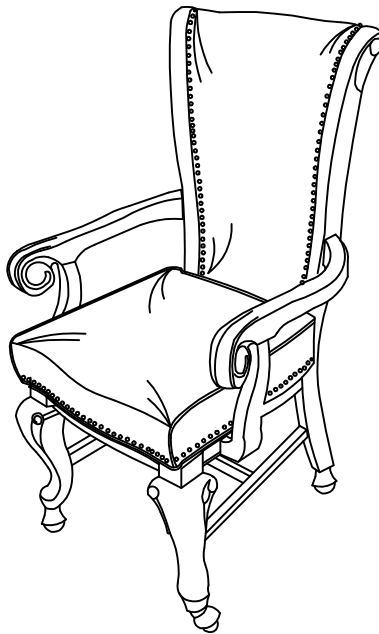
1) Prepare 4 bolts assembly by inserting lock washer (#B), then flat washer (#A) onto bolts (#E). Align arms (#5,6) to the holes of the chair. Secure arms (#5,6) to seat cushion with bolts (#E).



2) Secure arms (#5,6) to the chair back with screws (#G).

4

If wobbly, please ensure to level the chair with the floor, and adjust the bolts gradually until the chair does not wobble anymore.



ASSEMBLY COMPLETED



Please ensure the furniture rests on an even and flat surface. If the product wobbles or feels loose, double-check all bolts and/or screws are properly tightened and secured.



Keep this handy!

Please retain this instruction manual and any order-related information for future reference.



Lift, don't drag!

To avoid damage to product please always LIFT the product when transporting or adjusting the placement.