

Magnolia Mailbox System *Build Instructions*

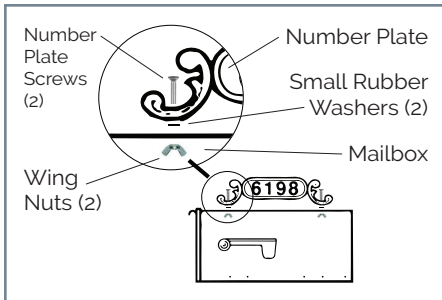
ADDRESSES OF DISTINCTION
MAILBOXES + STREET SIGNS. INSTALLED.

Tools Required: phillips head screw driver, 7/16" wrench or pliers, and allen key.

STEP 1

Place (2) **Number Plate Screws** through the top of the **Number Plate**. Slide the (2) **Small Rubber Washers** onto the bolts. Place the bolts through the pre-drilled holes on top of the **Mailbox**. Open the mailbox and tighten the (2) **Wing Nuts** onto the bolts. See *Illustration A1*

Illustration A1



STEP 2 (Fig 1)

Position the **Mounting Plate** on top of the **Oak Bracket**. Insert (4) **1/4 - 20 x 3/4" Screws** through the bottom of the bracket and into the mounting plate. Secure with (4) **Lock Washers** and (4) **Hex Nuts**. See *Illustration A2*

(Fig 1)

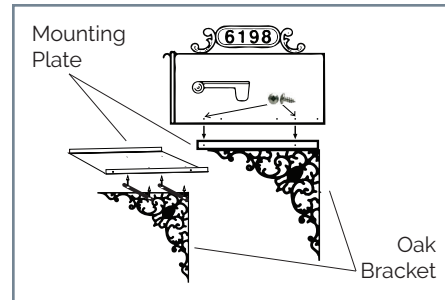
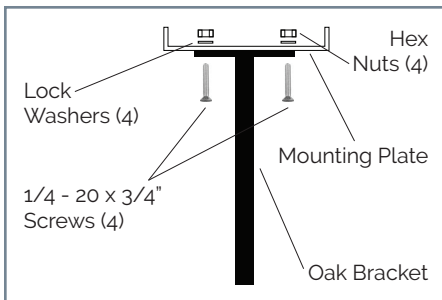


Illustration A2



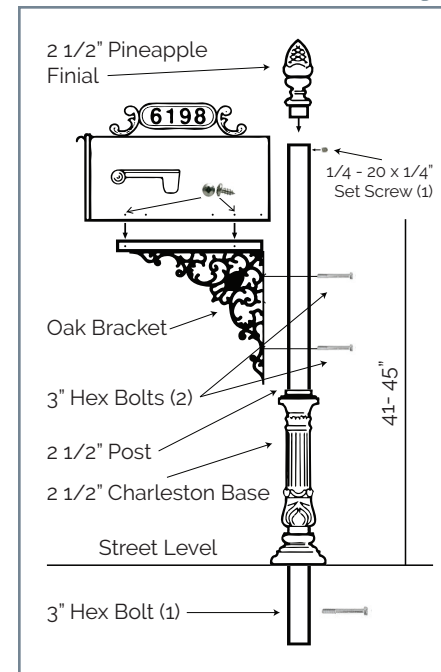
STEP 3 (Fig 2)

Attach the decorative bracket and mounting plate assembly from Step 2 to the **2 1/2" Post** with (2) **3" Hex Bolts**. Attach the mailbox to the mounting plate by inserting the (4) **Type A Screws** into the corresponding pre-drilled holes on the sides of mailbox and mounting plate.

STEP 4 (Fig 2)

Finish the look of your mailbox system by sliding the **2 1/2" Charleston Base** onto the post from the bottom. Insert the **2 1/2" Pineapple Finial** on top of the post and securing it with (1) **1/4 - 20 x 1/4" Set Screw**. Secure the base with (3) **1/4" - 20 x 3/8" Set Screws** after system is installed. Place (1) **3" Hex Bolt** near the bottom of pole. Your mailbox is ready to be installed into the ground.

(Fig 2)



Magnolia Mailbox System



YOUR MAILBOX PARTS

2 1/2" Post
2 1/2" Pineapple Finial
2 1/2" Charleston Base
Oak Bracket

Mounting Plate
Mailbox
Number Plate
(3) 3" Hex Bolts

(1) 1/4 - 20 x 1/4" Set Screw
(3) 1/4 - 20 x 3/8" Set Screws
(4) 1/4 - 20 x 3/4" Screws
(4) Lock Washers

(4) Hex Nuts
(2) Number Plate Screws
(2) Small Rubber Washers
(2) Wing Nuts

(4) Type A Screws

SUPPORT + FAQs

For Installation Tips:
aodmailboxes.com/installvideo

If I have questions, who can help? Call us at **1-800-436-1647**
or email us at support@aodmailboxes.com.

What's the story of your company?

Addresses of Distinction was founded by two brothers from Georgia over a decade ago. While shopping for a mailbox, they were surprised how difficult it was to find a high quality mailbox that could stand the test of time. This led them to create a line of mailboxes that created a long lasting, first impression. They make decisions based on one simple rule - Would they be proud selling the mailbox to their family or best friends?

How do I care for my mailbox?

Occasionally your mailbox may need cleaning. We suggest washing it with a mild, non-abrasive soap using a soft cloth or brush. Make sure to thoroughly rinse all the soap off the mailbox. If you are using brass numbers, they may be cleaned with a brass cleaner such as Brasso.

What if my mailbox is damaged at some future point?

All of our mailboxes are bolted together so parts can be easily replaced. Simply call the number on the inside of the door and our team will be happy to help you bring your mailbox back to life.

Do you install with concrete?

All mailboxes installed by Addresses of Distinction are installed using concrete. We warranty all installations for a period of one year. When your mailbox is installed, please wait 24 hours before applying pressure to the post, as it takes some time for the concrete to fully cure.