

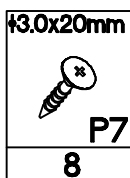
L=128mm	†4.0x30mm
S11	R2
2	4



H=0	†35/0mm	†3.5x13mm
H	G	P5
6	6	12

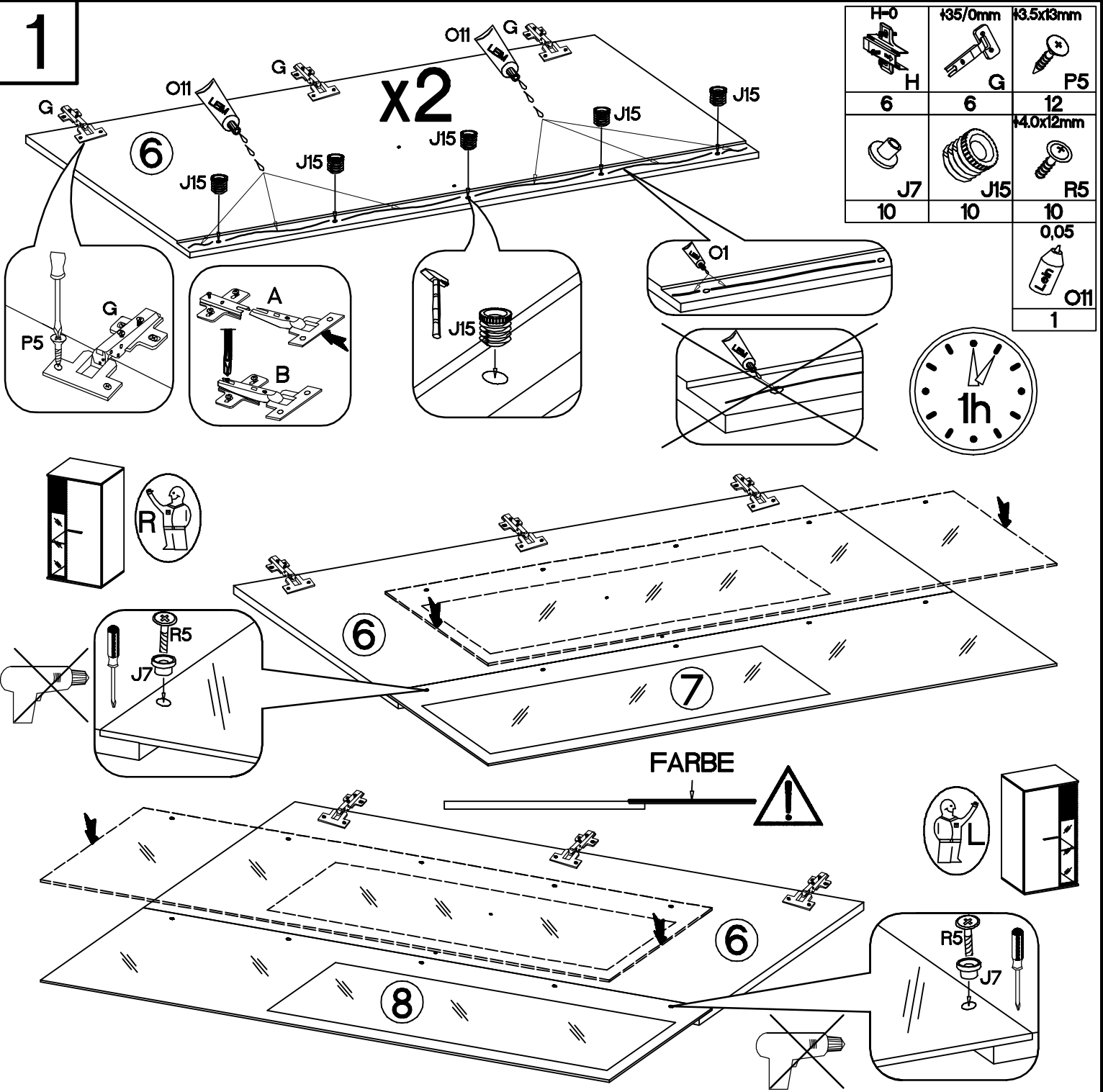


†5/12mm	†8x30mm	L=20mm	0,05			†4.0x12mm		†4.0x30mm	
				J7	J15	R5	K	P8	L
C	A	D2	O11	J7	J15	R5	K	P8	L
24	16	24	1	10	10	10	4	8	12

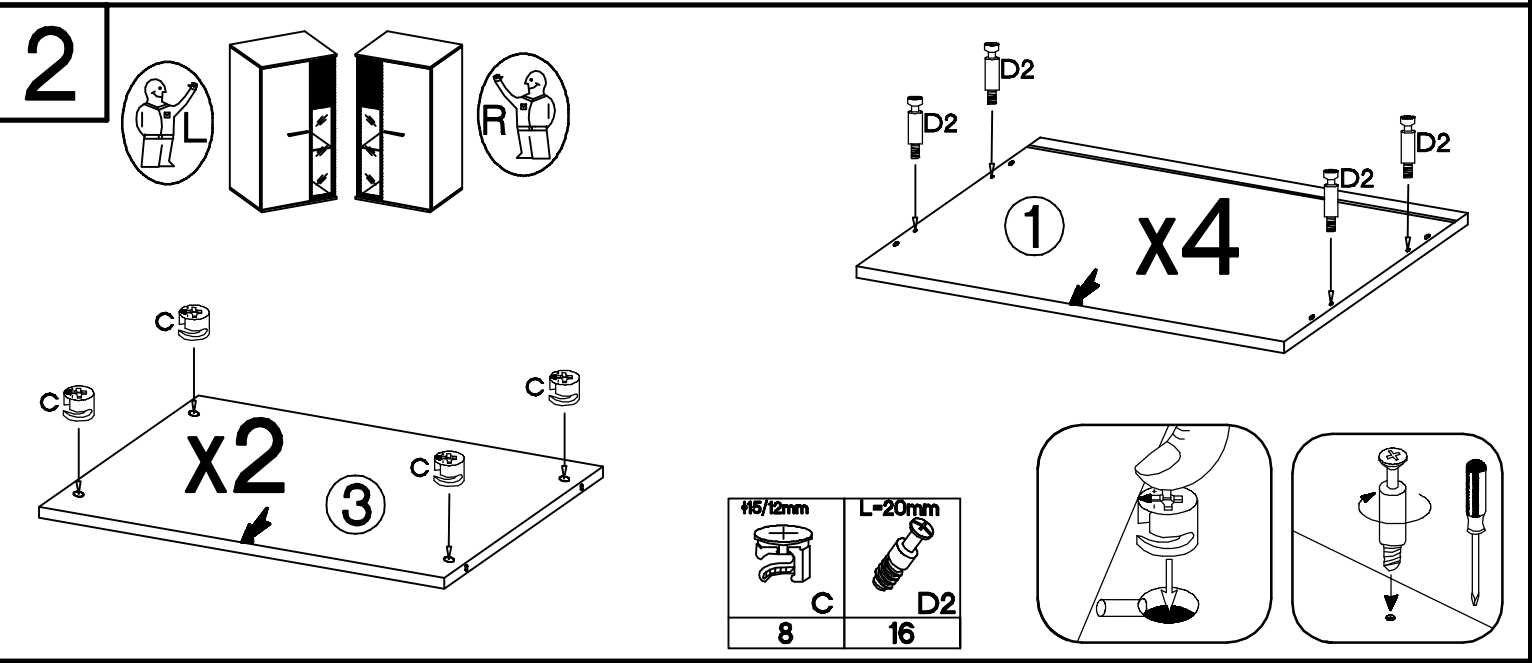


†3.0x20mm		†5/16mm		†5.0x60mm	†10x50mm		
P7	L2	J12	E	P12	O7	K16	J5
P7	L2	J12	E	P12	O7	K16	J5
8	8	8	24	8	8	4	4

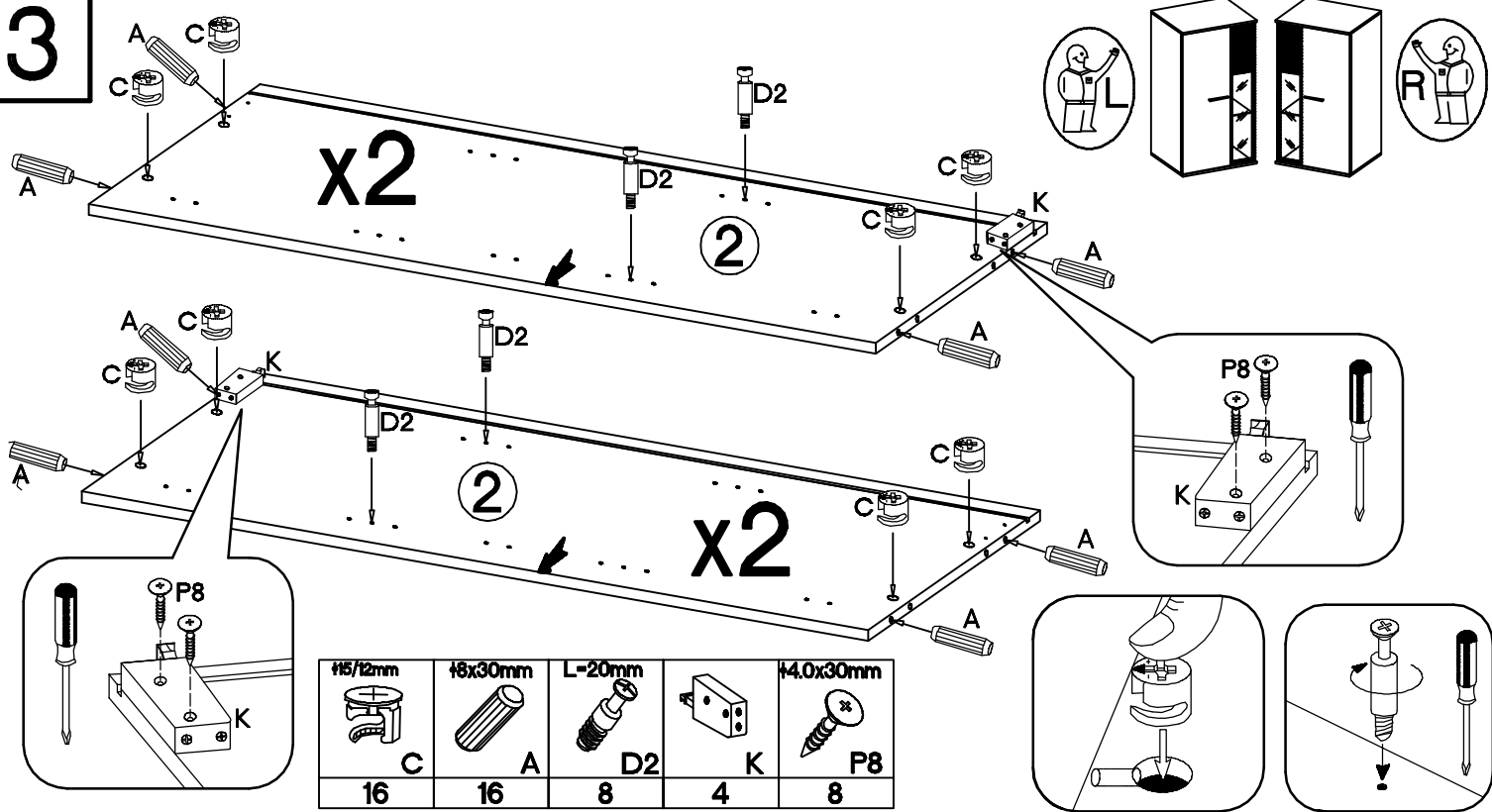
1



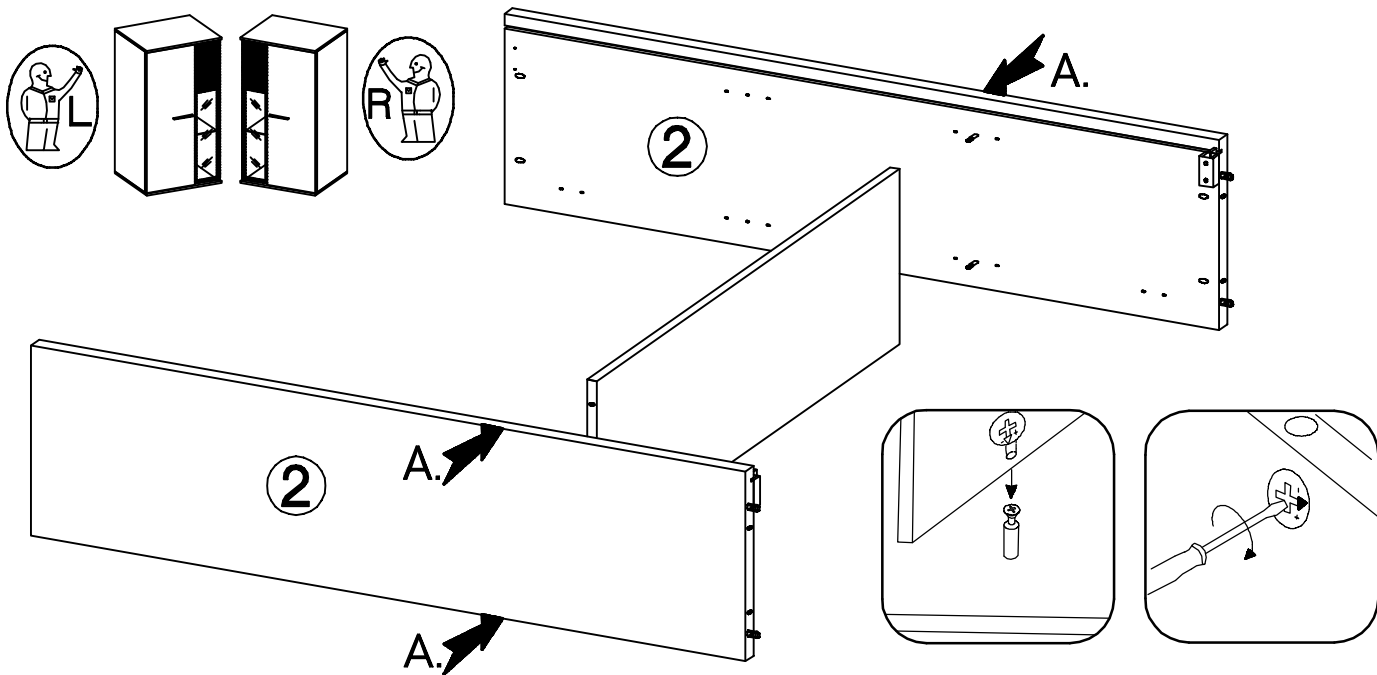
2



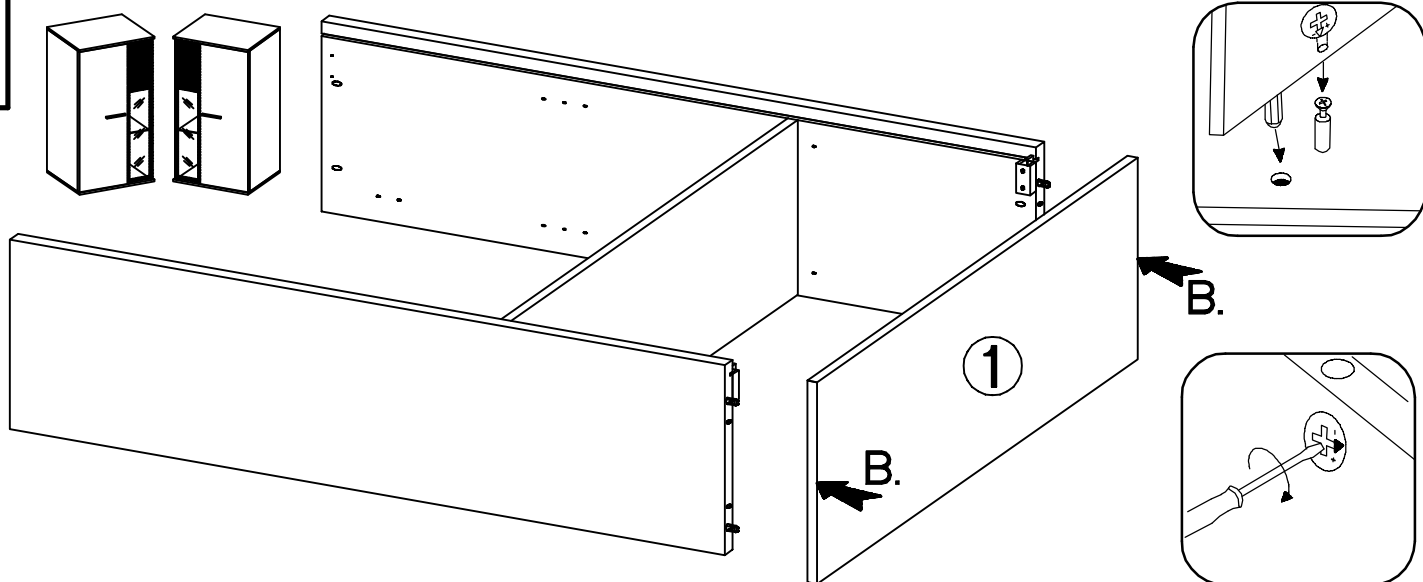
3



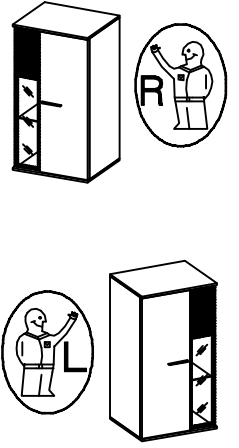
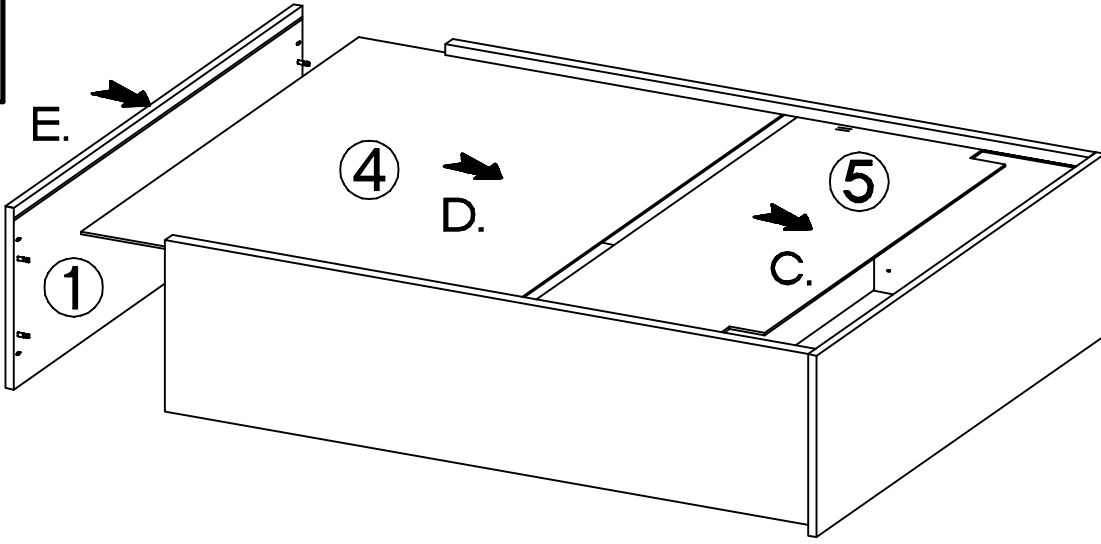
4



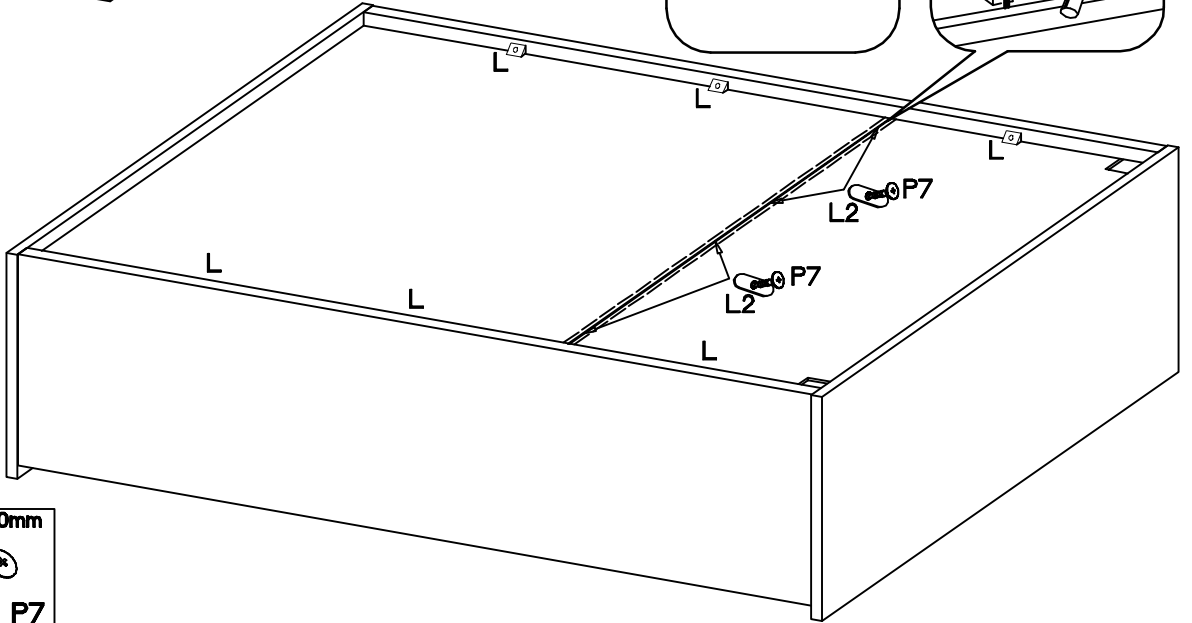
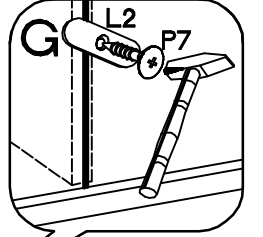
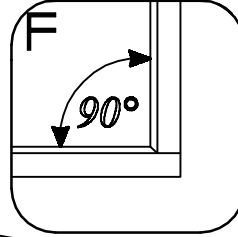
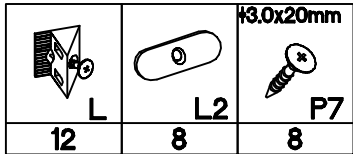
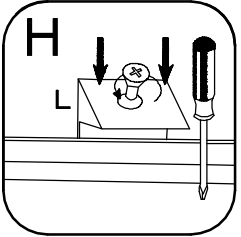
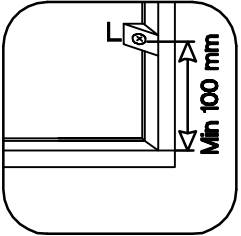
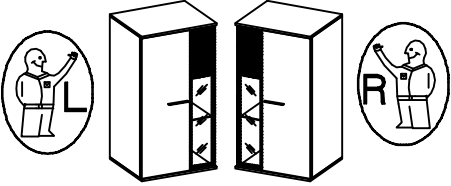
5



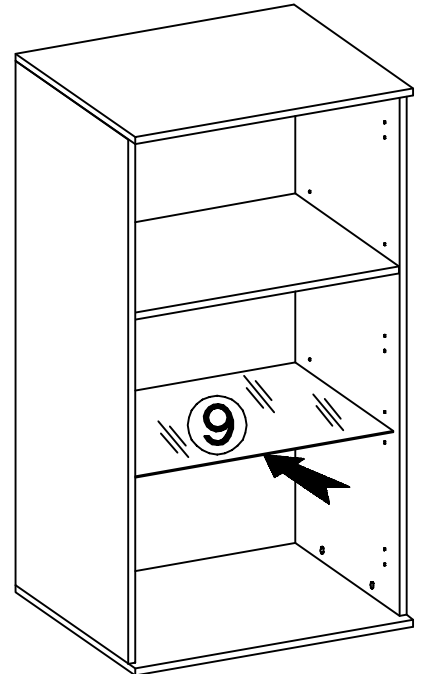
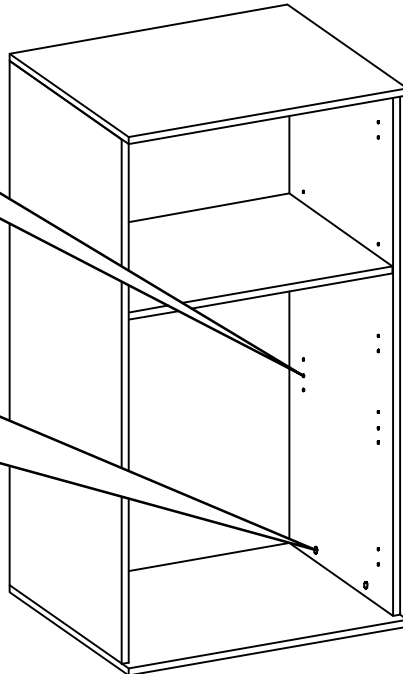
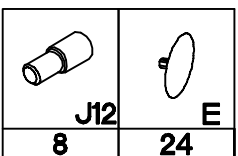
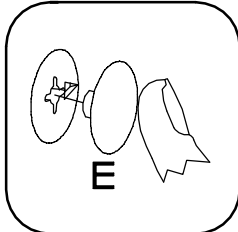
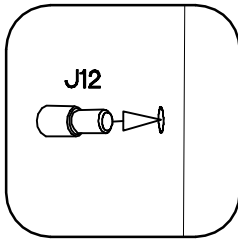
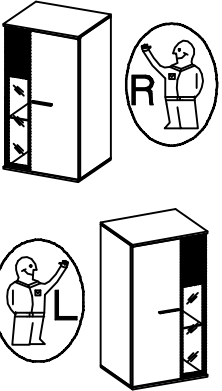
6



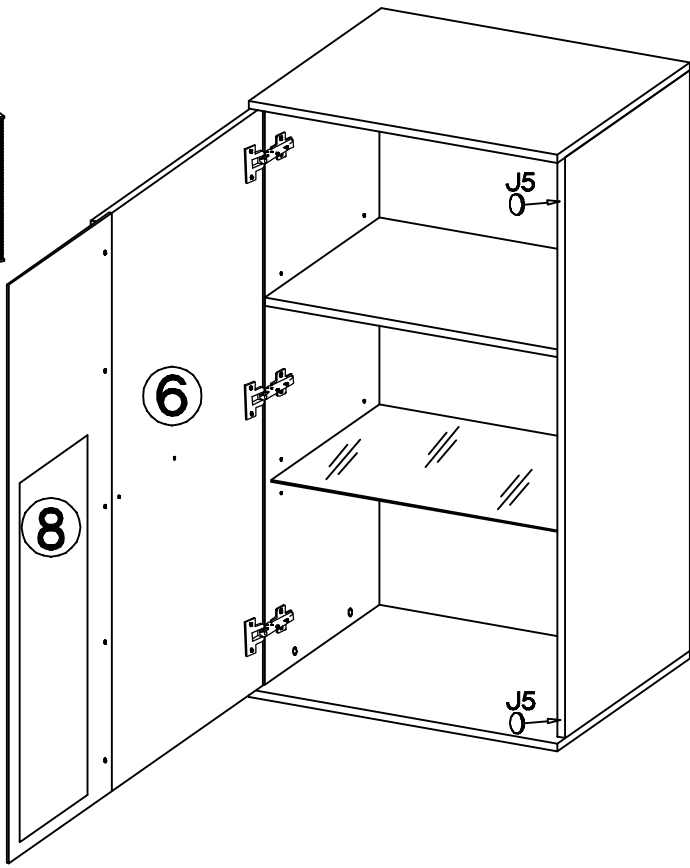
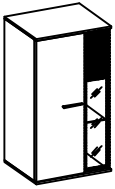
7



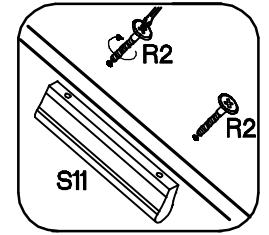
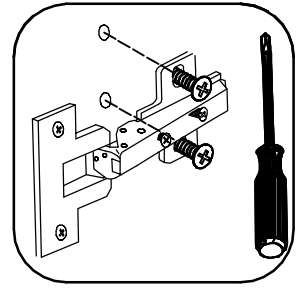
8



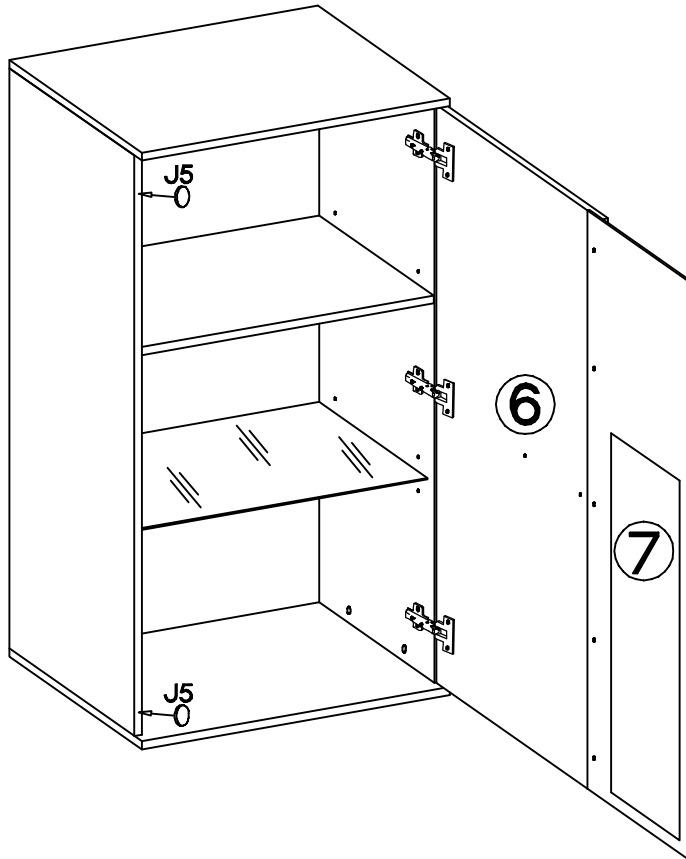
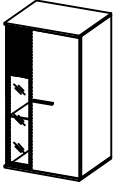
9



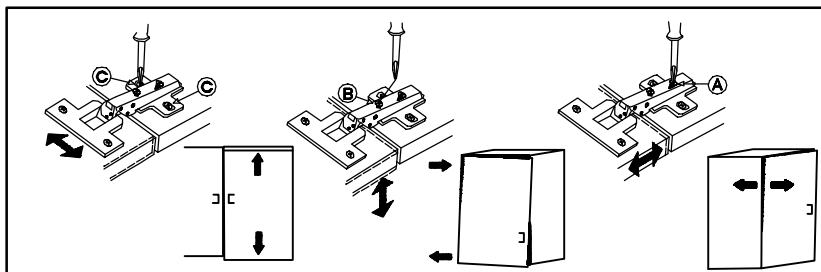
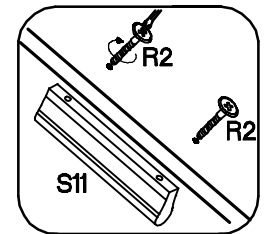
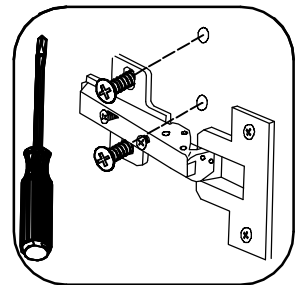
	$\pm 4.0 \times 30 \text{mm}$	$L=128 \text{mm}$
J5	R2	S11
2	2	1



10



	$\pm 4.0 \times 30 \text{mm}$	$L=128 \text{mm}$
J5	R2	S11
2	2	1



∅5.0x60mm	∅10x50mm	
P12	O7	K16
8	8	4

