

Type: _____

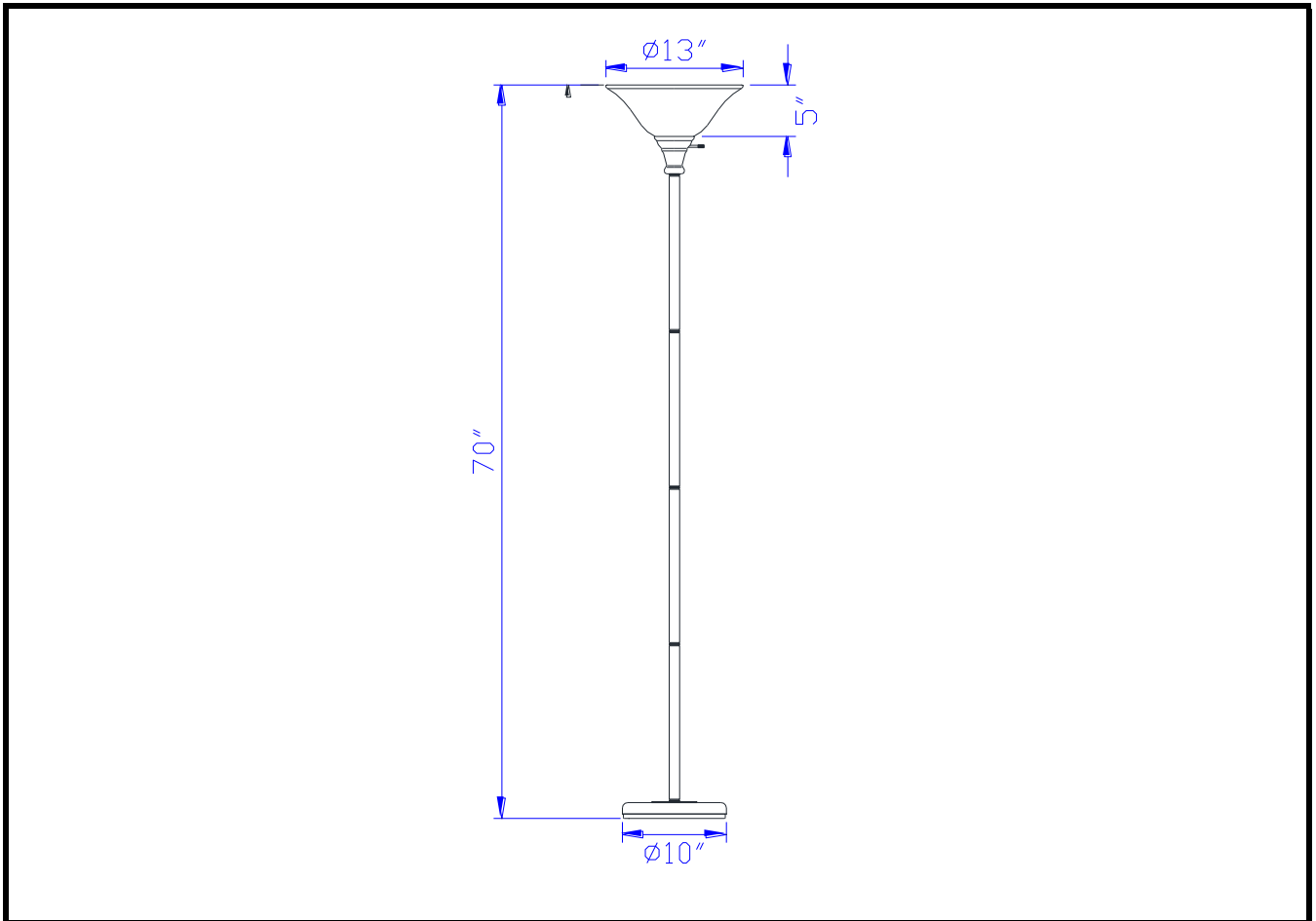
Project: _____

Catalog No.: _____

Lamp/Wattage: _____

Specifications subject to change without notice

Drawing:



Description: Metal Torchiere with Glass Shade

Material: Metal

Finish : WH (White)

Height: 70"

Base Width: 10"

Wattage : 150W

Socket : Medium Base (E27)

Switch: 3 way

Bulb: Incandescent, CFL

Wire Length: 6'

Wire Color: White

Material: Glass

Shade size: Dia. 13"

Certificate :

