

Shower Door
5/16" glass (8mm)

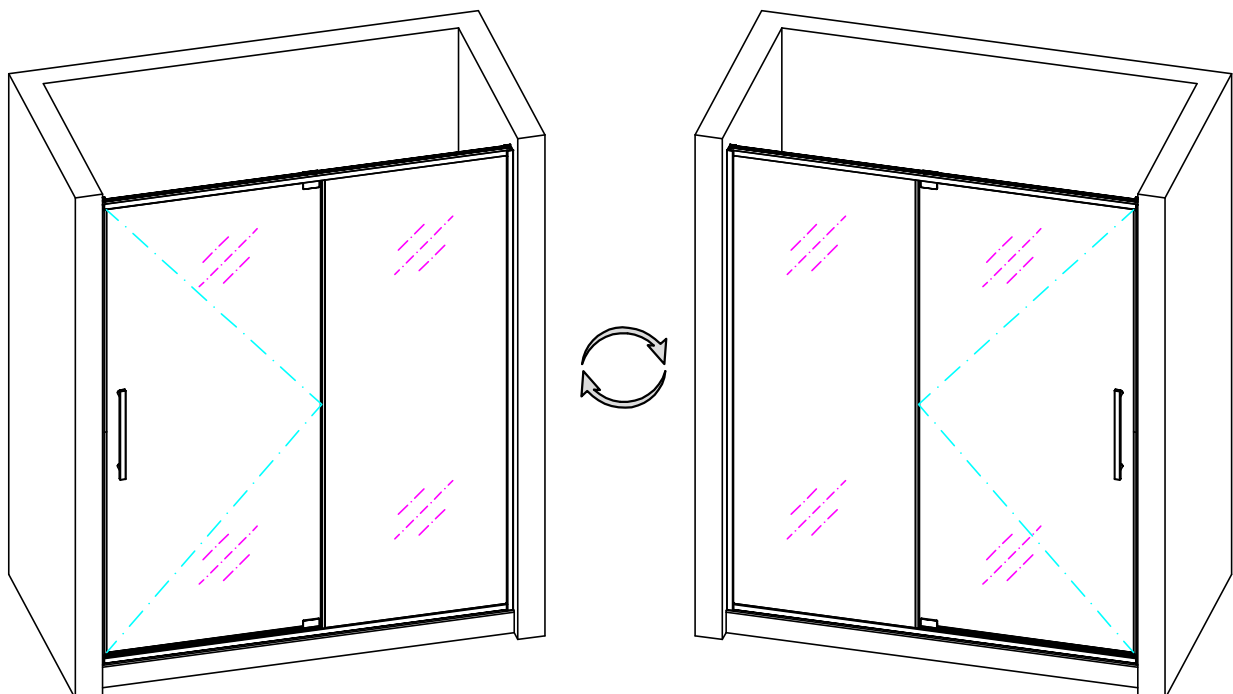
INSTALLATION GUIDE

CAUTION: To reduce the risk of breakage, keep corner protectors on glass while installing. Keep corner protectors for use in case future adjustments are needed. Consult your local plumbing codes prior to installation.

Recommended Clearance Heights for Installation:
74 inches (188.0 cm)

Recommended Width for Installation:
60-inch enclosure:
56 - 60 inches (142.2- 152.4 cm)
54-inch enclosure:
50 - 54 inches (127- 137.2 cm)
48-inch enclosure:
44 - 48 inches (111.8- 121.9 cm)
42-inch enclosure:
38 - 42 inches (96.5- 106.7 cm)

MODEL:
22126074MB08NP
22126074BN08NP
22125474MB08NP
22125474BN08NP
22124874MB08NP
22124874BN08NP
22124274MB08NP
22124274BN08NP



Left-hand shower door

Right-hand shower door

TOOLS REQUIRED

Drill Bits



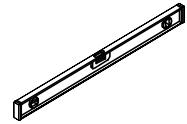
Screw Driver



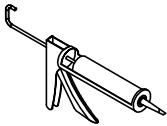
Drill



Level



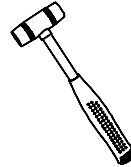
Silicone



Measuring Tape



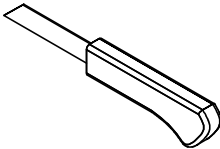
**Soft Head
Hammer**



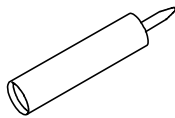
Pencil



Knife



Sealant



**MASONRY DRILL
BIT FOR TILE
Ø6mm**



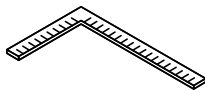
Safety Glasses



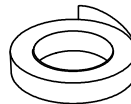
Glove



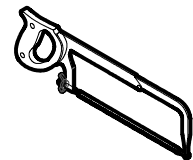
Carpenter's Squarer



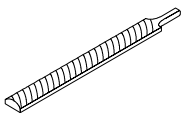
**Masking or painter's
tape**



Hack Saw



Metal File



CAUTION: When cutting or drilling metal components or when handling glass, to reduce the risk of personal injury, protective eye wear, gloves, and closed-toe shoes are required.

SAFETY INFORMATION

CAUTION

Please carefully read the following important safety information before handling or installing this shower. There is a risk of serious injury while handling this product.

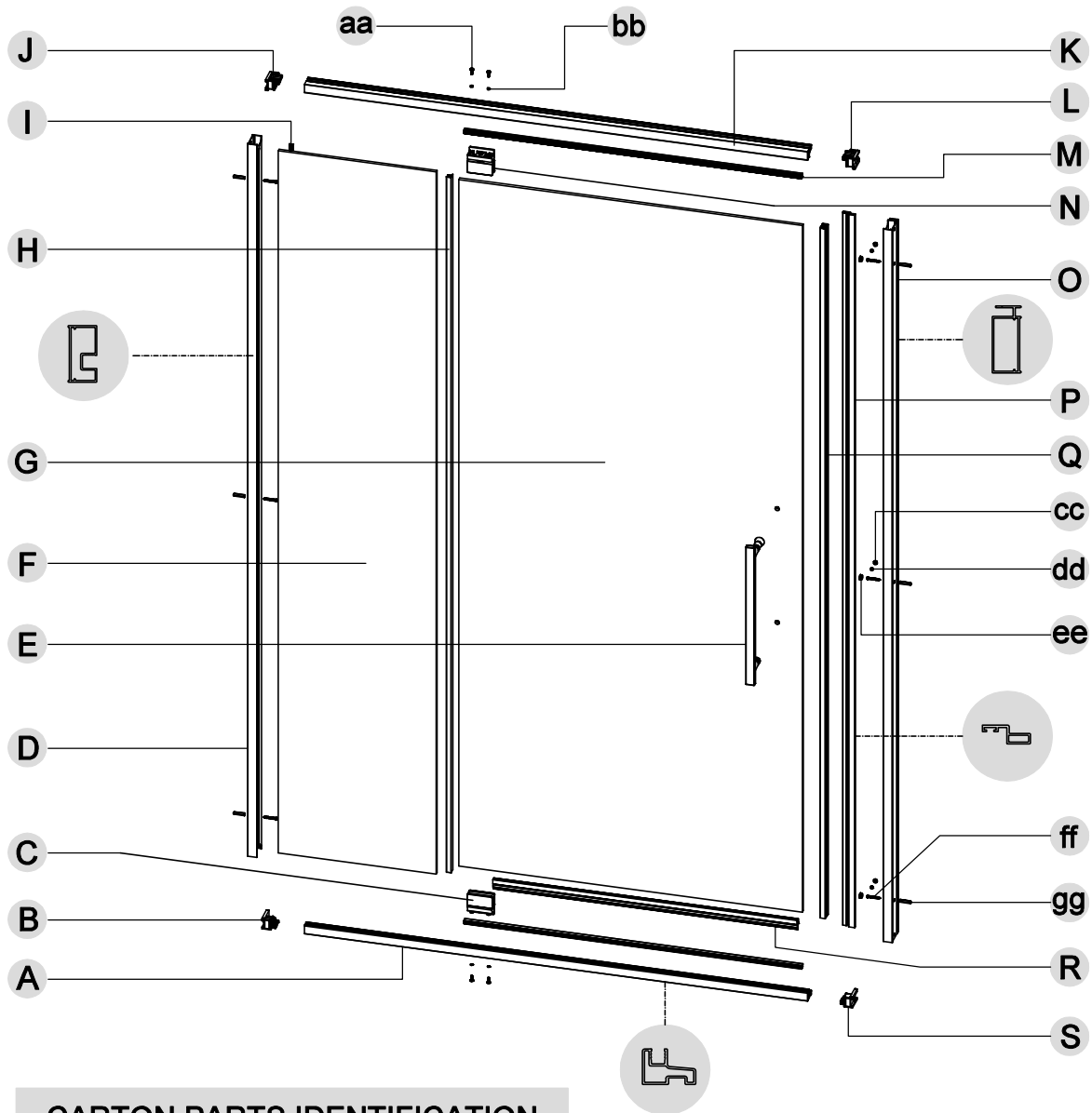
To minimize these risks, please note:

- Always wear safety glasses and gloves while handling.
- Always follow the installation instructions.
- Inspect glass for damage before installation.
- Extreme caution should be taken while handling the glass during installation as the tempered glass may shatter if in contact with a hard surface.
 - Do not cut or modify the tempered glass as it will shatter if cut.
 - Carefully remove product from packaging and keep packaging until installation is complete.
 - Inspect all parts for damage or missing; if there is damage or part missing to the unit prior to installation, please contact customer service at the number provided in this guide.
 - Cover the drain with tape to prevent the loss of small parts.
 - The shower base and finished walls should be installed before beginning the shower door installation.
 - During the installation, protect the shower floor with a drop cloth to avoid damage.
 - This product should be installed by two people who are familiar with construction requirements. Professional installation is recommended!
 - Keep this installation manual for future reference.

NOTE: Two people should perform this installation.



DOOR ASSEMBLY



CARTON PARTS IDENTIFICATION

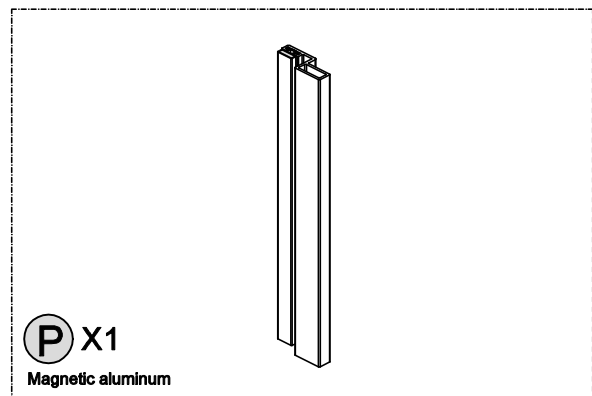
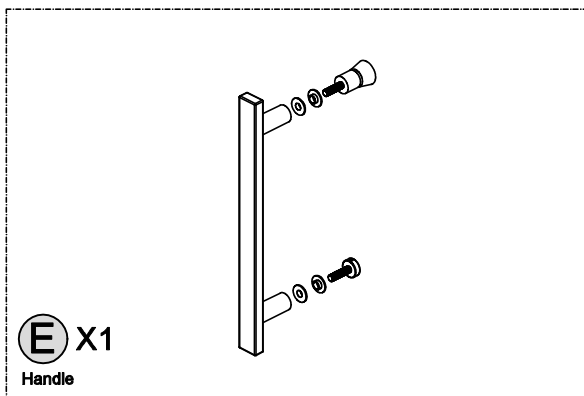
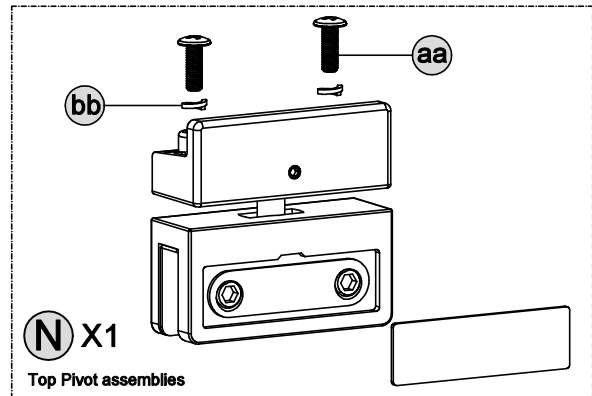
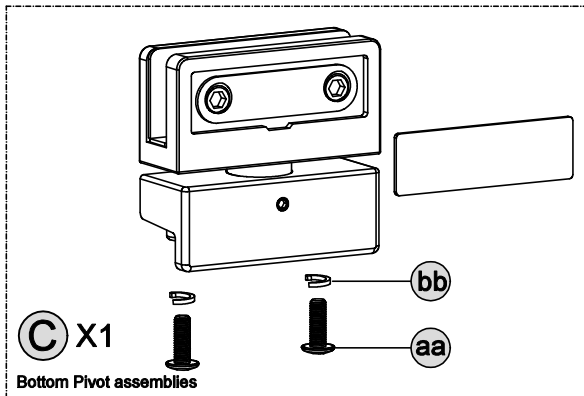
See following pages for detailed component diagrams

PART#	DESCRIPTION	QTY
A	Bottom Rail	1
B	Fixed Glass Connector I	1
C	Bottom Pivot assemblies	1
D	Fixed Glass Frame	1
E	Handle	1
F	Fixed Glass	1
G	Door Glass	1
H	"F" Type Waterproof Strip	1
I	Sealing Strip	1
J	Fixed Glass Connector II	1

PART#	DESCRIPTION	QTY
K	Upper Rail	1
L	Door Glass Connector I	1
M	Groove sealing strip	2
N	Top Pivot assemblies	1
O	Magnetic frame	1
P	Magnetic aluminum	1
Q	PVC magnetic strip	1
R	Bottom Anti-water Strip	1
S	Door Glass Connector II	1


CARTON PARTS IDENTIFICATION

See following pages for detailed component diagrams




HARDWARE CONTENT

aa




**Screw
M4X12mm
4 pcs**

bb




**φ4 Spring
Washer
4 pcs**

cc




**Screw cap
4 pcs**

dd




**Metric Screw
ST4X6mm
4 pcs**

ee



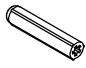
**Decorative cap
4 pcs**

ff




**Metric Screw
ST4X30mm
7 pcs**

gg



**Wall anchor
Ø6x28mm
7 pcs**

hh



**Plastic mat
1 pcs**



Additional spare parts are included.

**NOTE: Inspect all parts for missing prior to installation!
Contact us for any part missing.**

Model Specific Preparation



REQUIRED:

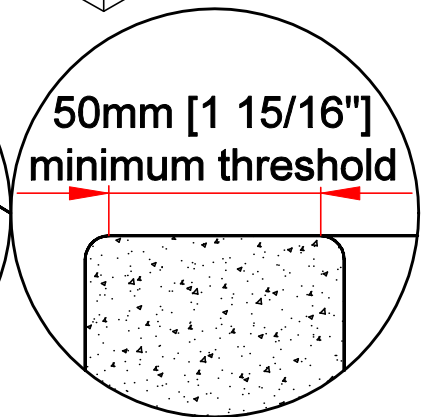
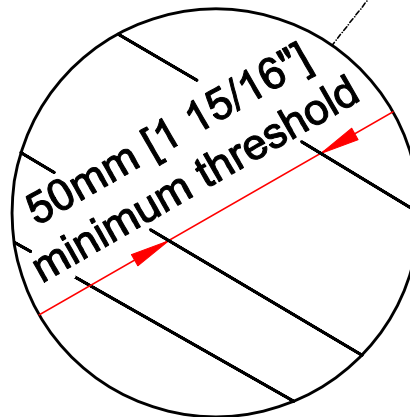
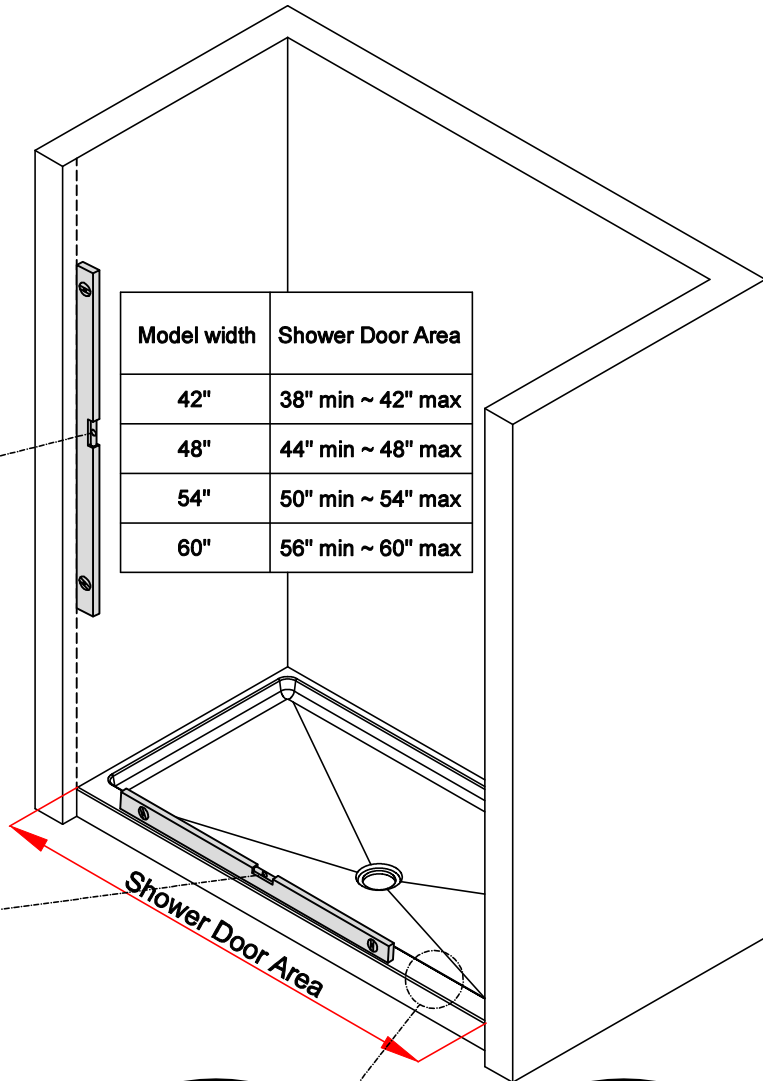
Verify threshold and wall with a level.

1/4" (6mm)
Out-of-Plumb
Adjustment within
the Wall Profile.

Threshold must be level.

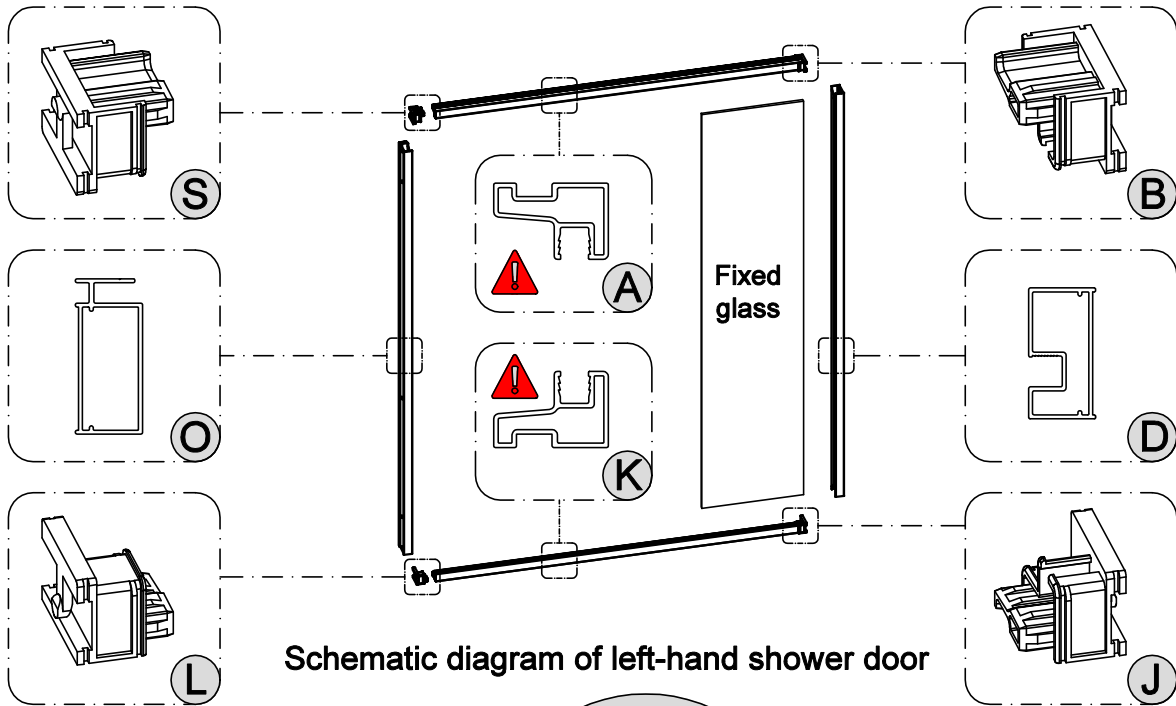


Model width	Shower Door Area
42"	38" min ~ 42" max
48"	44" min ~ 48" max
54"	50" min ~ 54" max
60"	56" min ~ 60" max

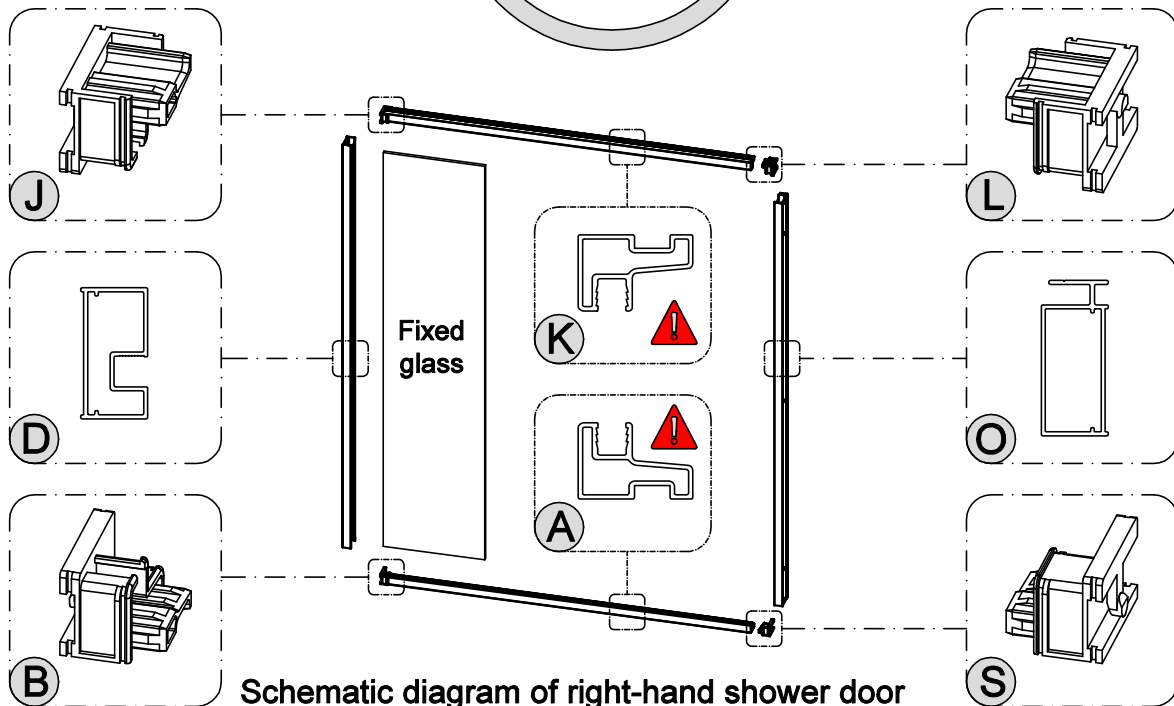
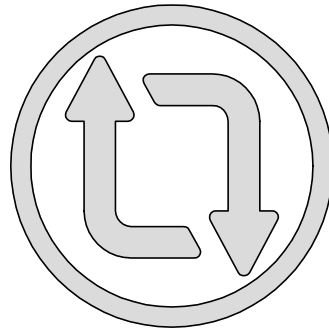


1

This model door hardware is interchangeable between left and right directions, and the left door or right door can be installed according to the use requirements!



Schematic diagram of left-hand shower door



Schematic diagram of right-hand shower door

2-1 Measure the finished opening width.

NOTE

1. Measure the finished opening width at the bottom and at the model height. Use these dimensions as "W2" (top) and "W1" (bottom) in step #2.
2. Also check the threshold for level and the walls for plumb. (Fig 1)

This model will only accommodate up to 1/4" (6mm) for out-of-plumb condition.

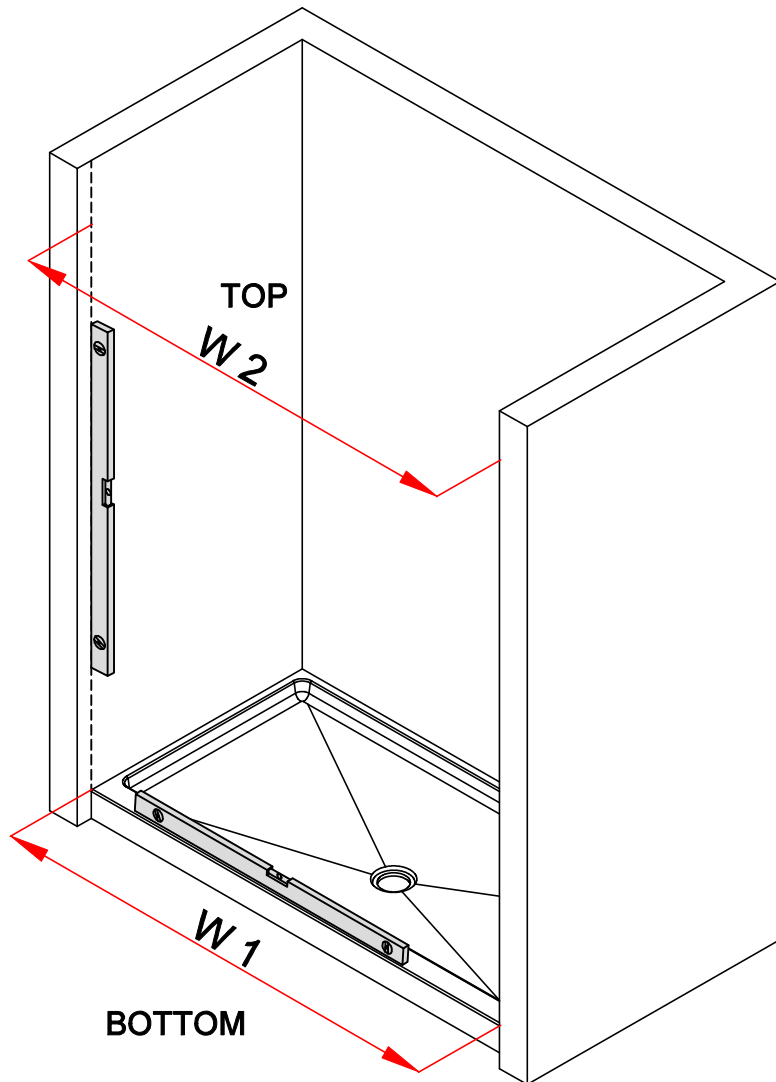


Fig 1



_____ Finished opening bottom (W1)

_____ Finished opening top (W2)

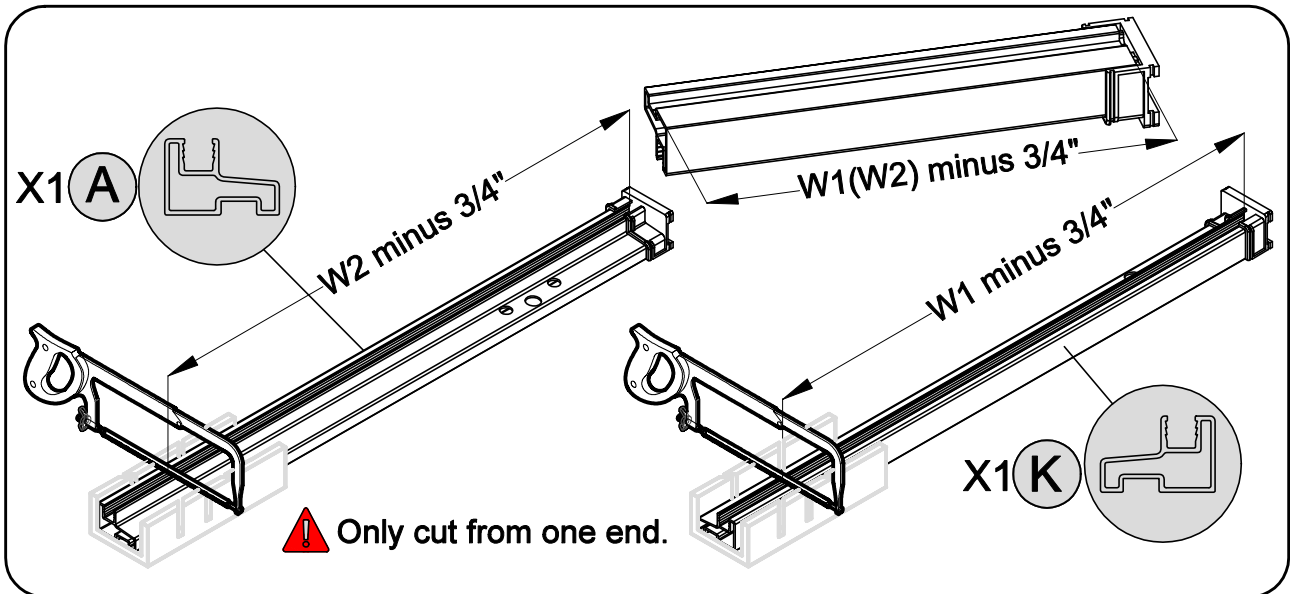
2-2

Cut the Guide Rail (A&K) to fit your finished opening using either a miter saw or a hacksaw



Schematic diagram of left door direction rail cutting. Cut the Bottom Rail (A) to: "W1"(bottom) dimension minus 3/4", Upper Rail (K) to: "W2"(bottom) dimension minus 3/4".

Use a metal file to remove any burrs from the cut ends.



Schematic diagram of right door direction rail cutting, Cut the Bottom Rail (A) to: "W1"(bottom) dimension minus 3/4", Upper Rail (K) to: "W2"(bottom) dimension minus 3/4".

Use a metal file to remove any burrs from the cut ends.

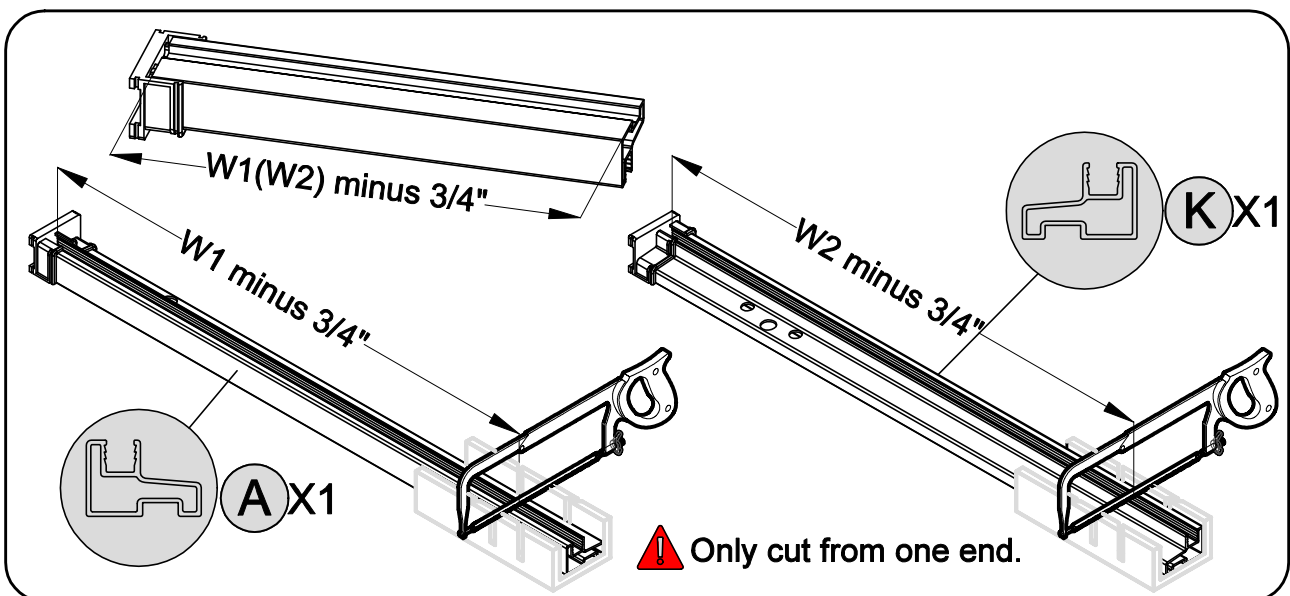
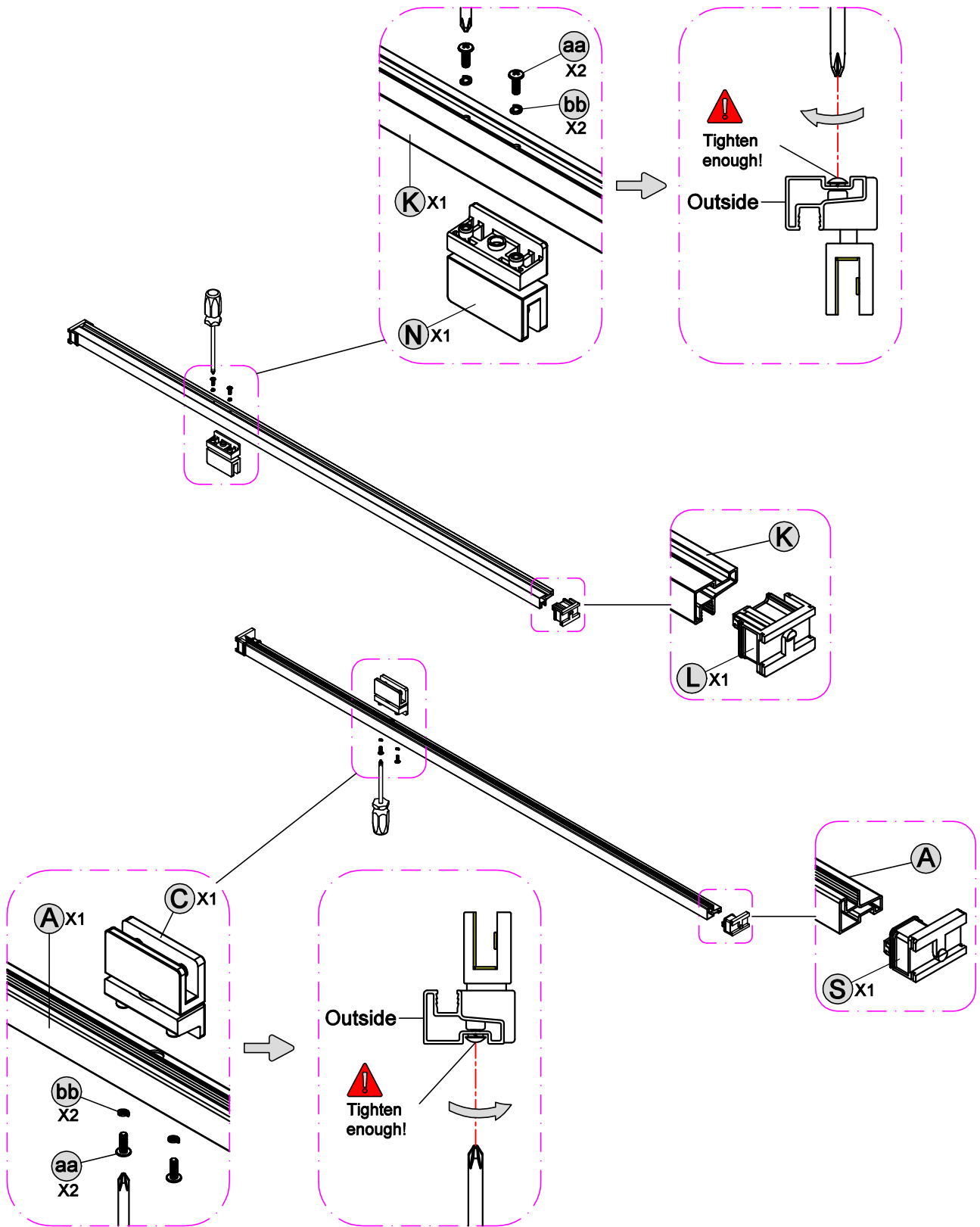


Fig 2

2-3

Taking the installation of a right-hand shower door as an example. The top pivot (N) and door glass connector (L) need to be installed on the upper rail (K), and the bottom pivot (C) and door glass connector (S) need to be installed on the bottom rail (A).



3-1 Determine the installation position of the fixed glass frame(D) and the magnetic frame(O).

NOTE

Measure in 3/16" from the outside of the fixed glass frame (D) and the magnetic frame(O) as Fig a.

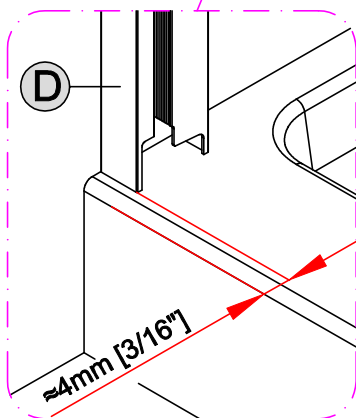
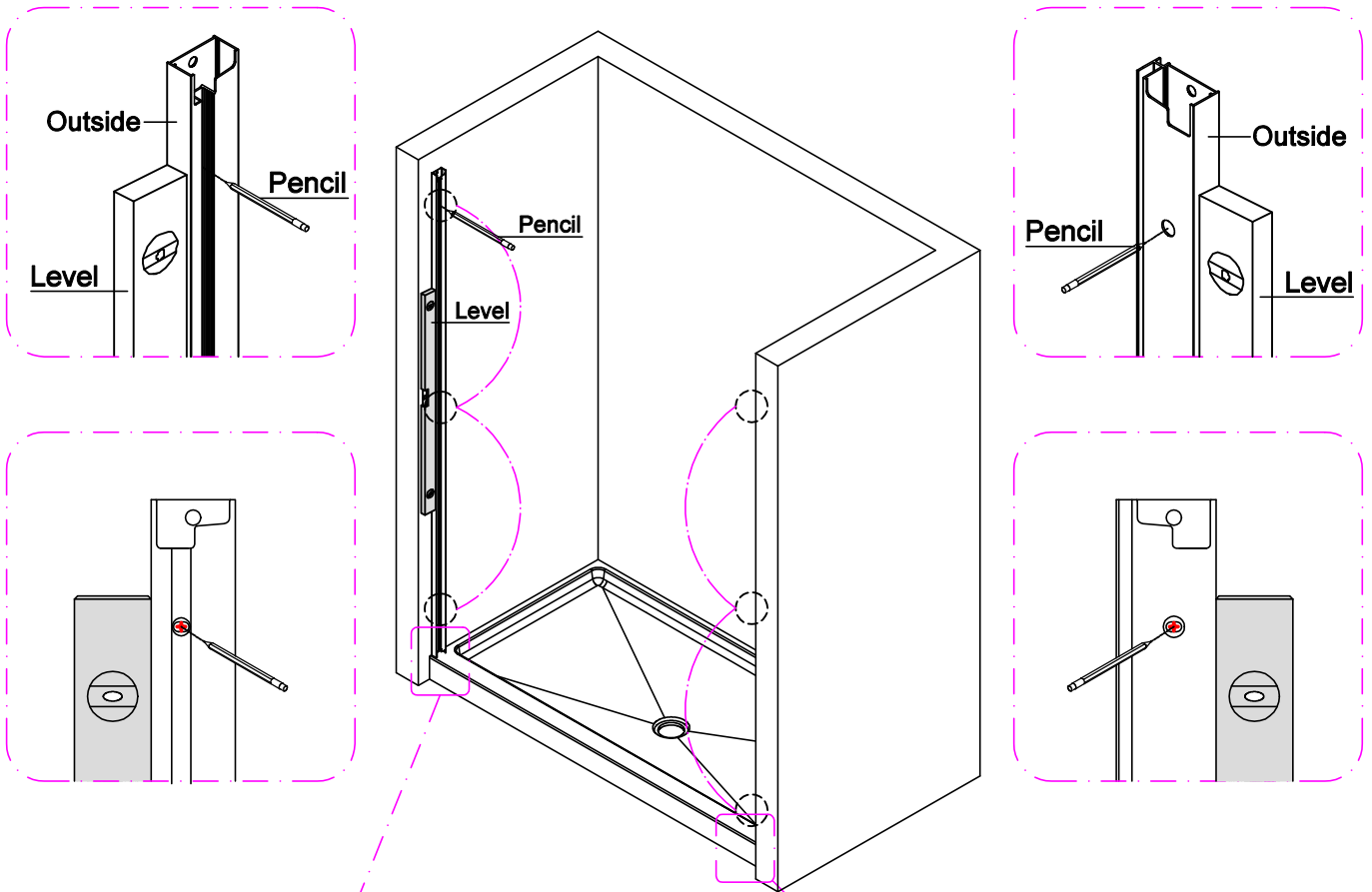


Fig a1

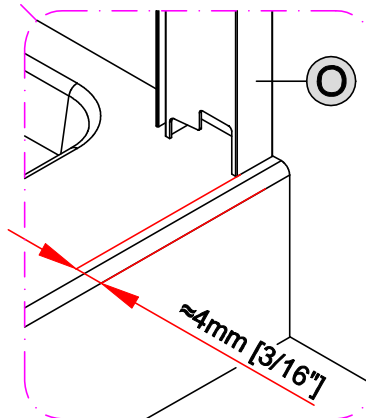


Fig a2

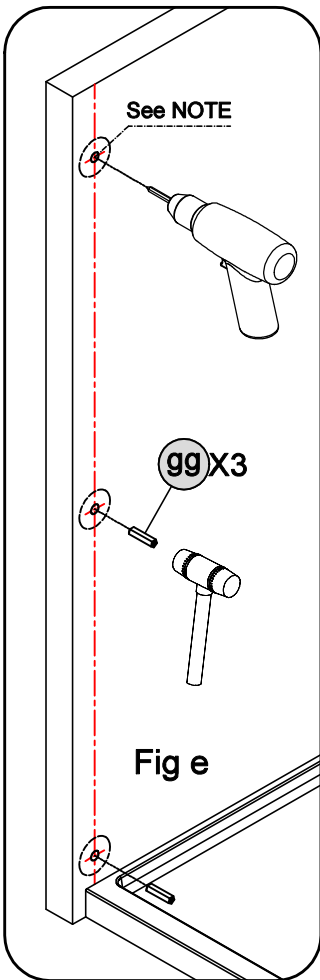
3-2

Determine the material of the mounting body and follow the precautions corresponding to the position determined in the previous step to drill holes.

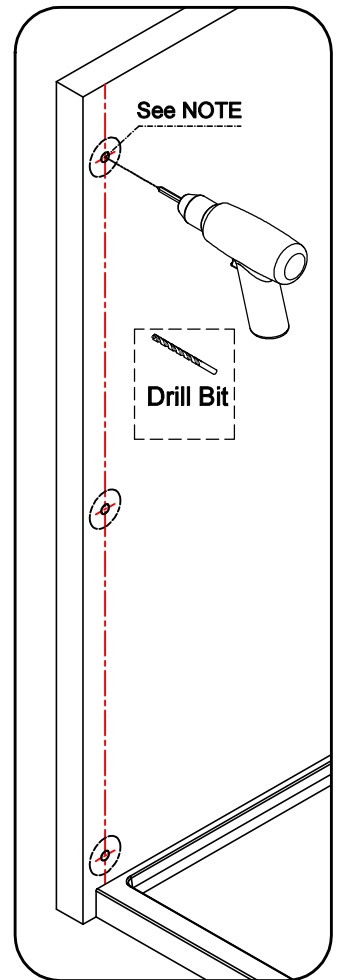


- If a stud is presented behind the wall:
drill a $\varnothing 1/8"$ (3mm) pilot hole into the stud and use the ST4.0 x 30mm Screws (ff)
OR
- If no stud is presented behind the wall:
drill a $\varnothing 1/4"$ (6mm) hole and insert the Wall Anchors (gg) and use the ST4.0 x 30mm Screws (ff).

Concrete wall (On both sides)



Wooden panel wall or Gypsum board wall (On both sides)



4-1 Install fixed glass frame(D), magnetic frame(O) and bottom rail(A).

NOTE

- 1.If necessary insert the Wall Anchors (gg) as Fig.e;
- 2.Apply silicone into the groove along the entire length of the Wall Jamb(D) and magnetic frame (O) as Fig f;
- 3.Attach the Wall Jamb(D) and magnetic frame (O) to the wall as Fig g.

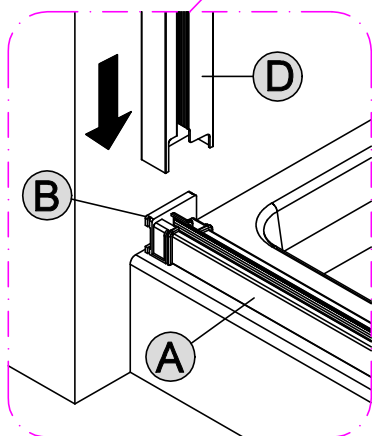
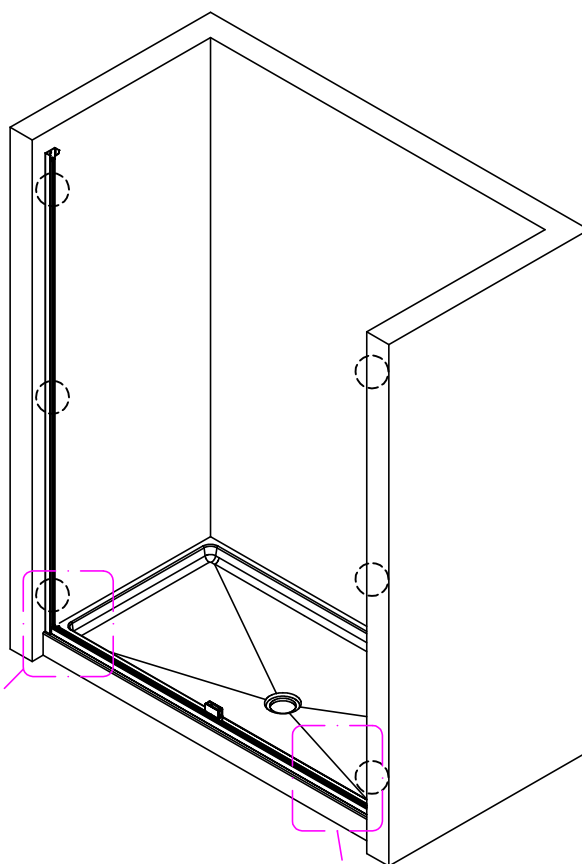
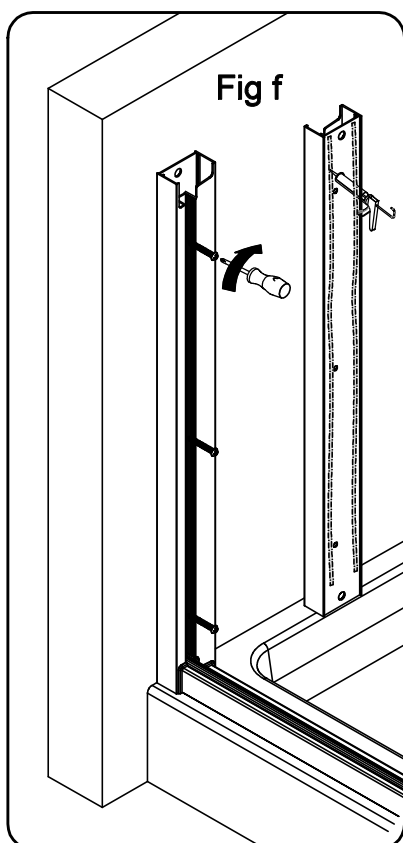


Fig g1

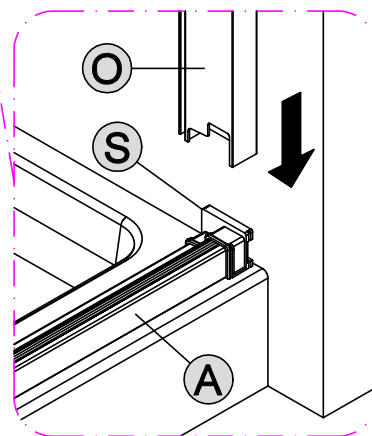
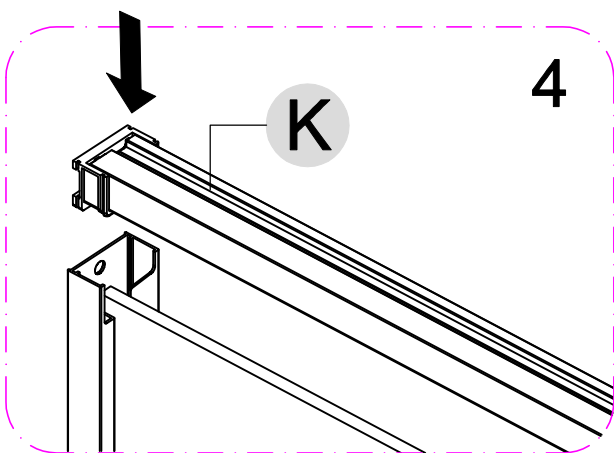
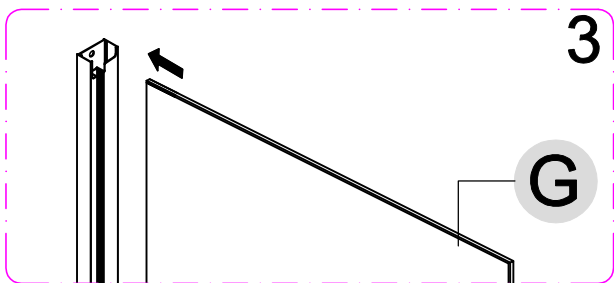
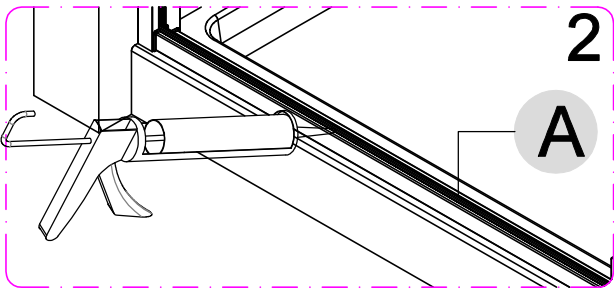
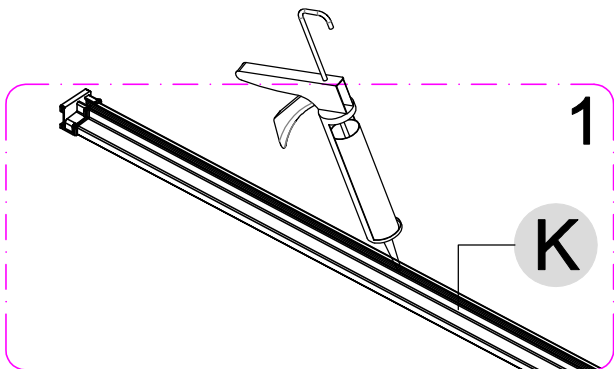


Fig g2

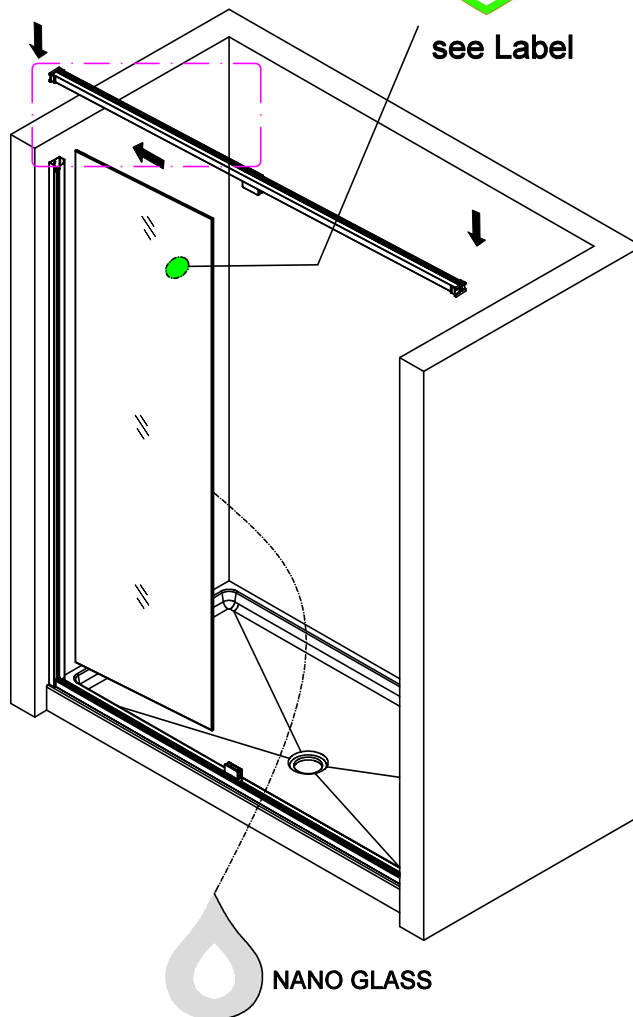
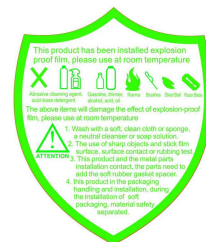
4-2 Install fixed glass (F) and upper rail(K).



Before installing the fixed glass, apply glass glue to the corresponding position of the fixed glass in the upper and bottom guide rail grooves.



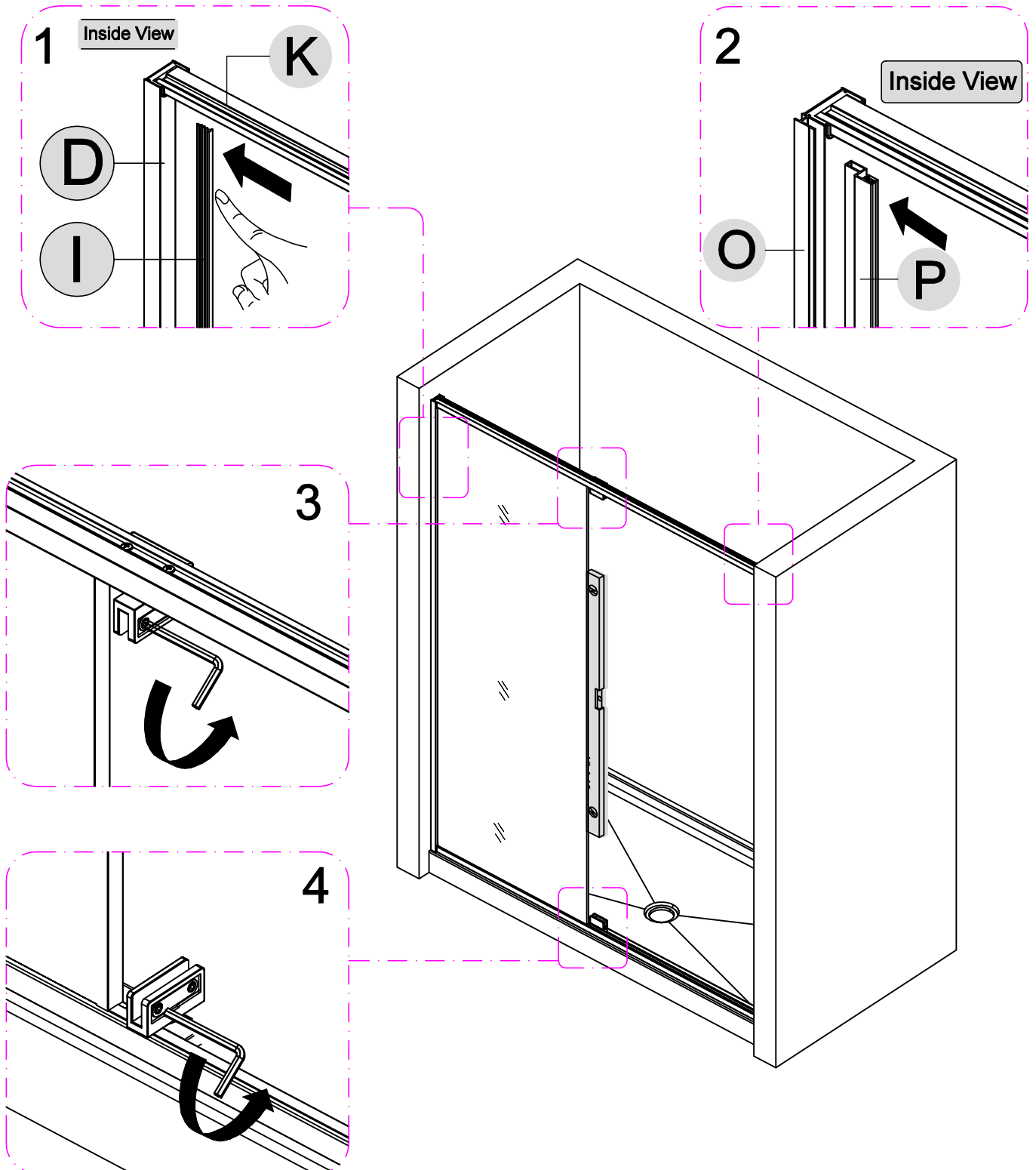
The green label faces outside!



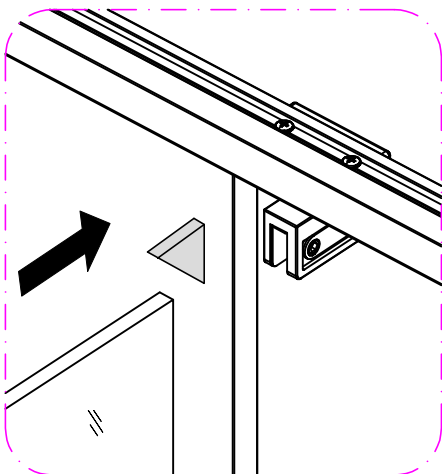
The NANO GLASS lable faces inside!

5-1

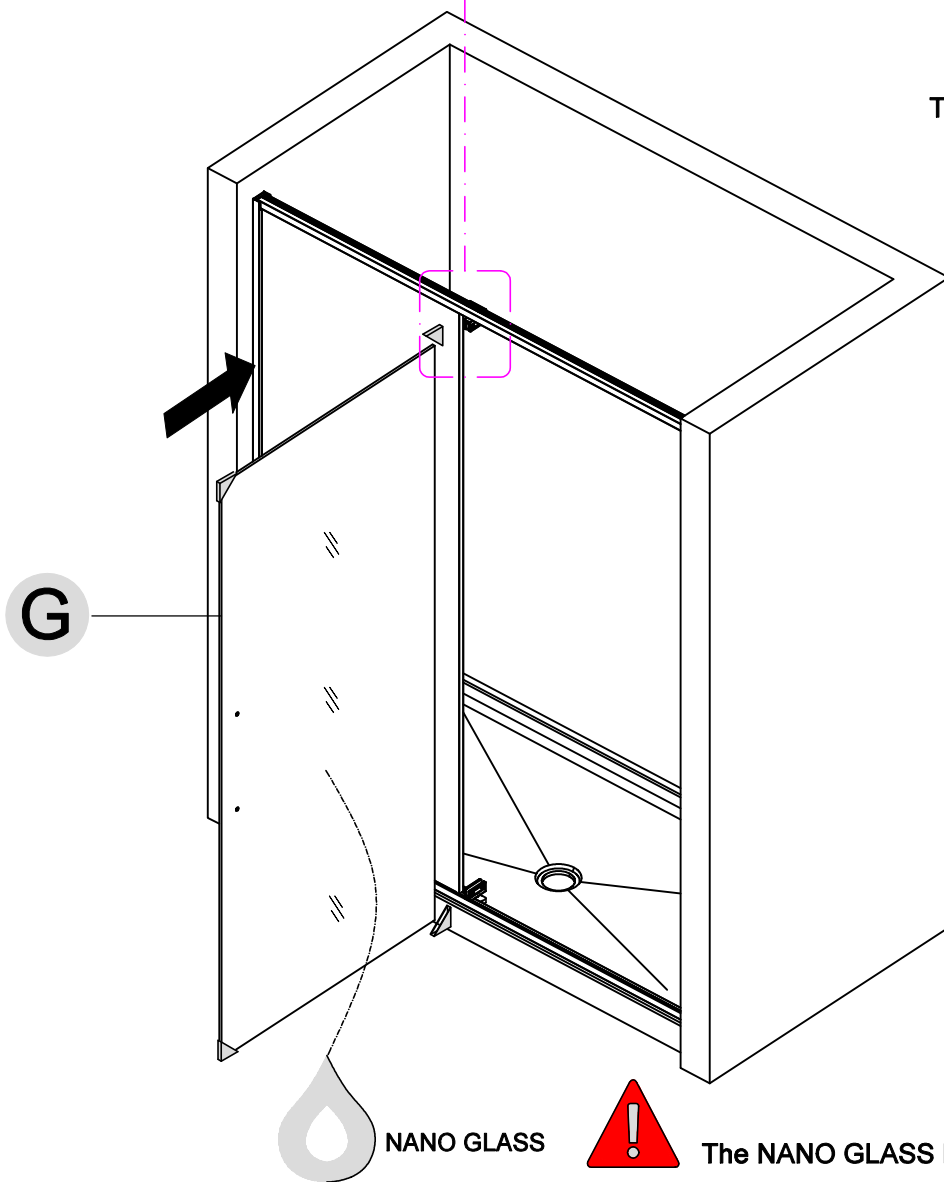
Adjust the verticality of the fixed glass and insert the sealing strip (I) tightly. Insert the magnetic strip aluminum (P) into the magnetic strip frame (O). Rotate the pivot assemblies 90 degrees and loosen the set screw on the pivot assemblies.



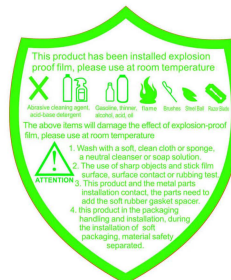
5-2 Slide the door glass into the pivot assemblies (C)(N).



Note: Do not remove the glass corner protectors during glass handling. The corner protectors should be removed at the last moment when sliding into the pivot assemblies.



The green label faces outside!



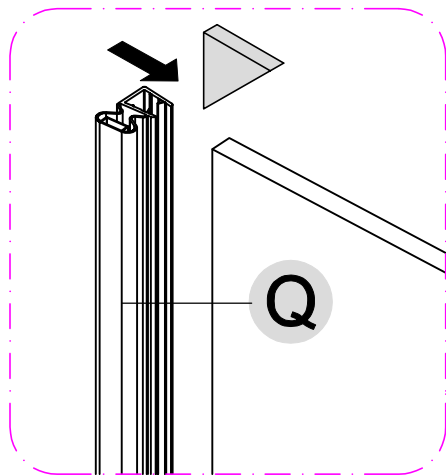
NANO GLASS



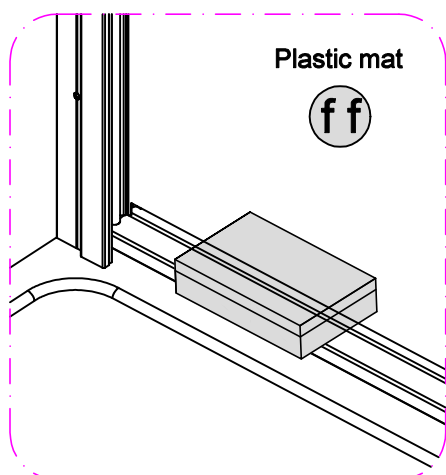
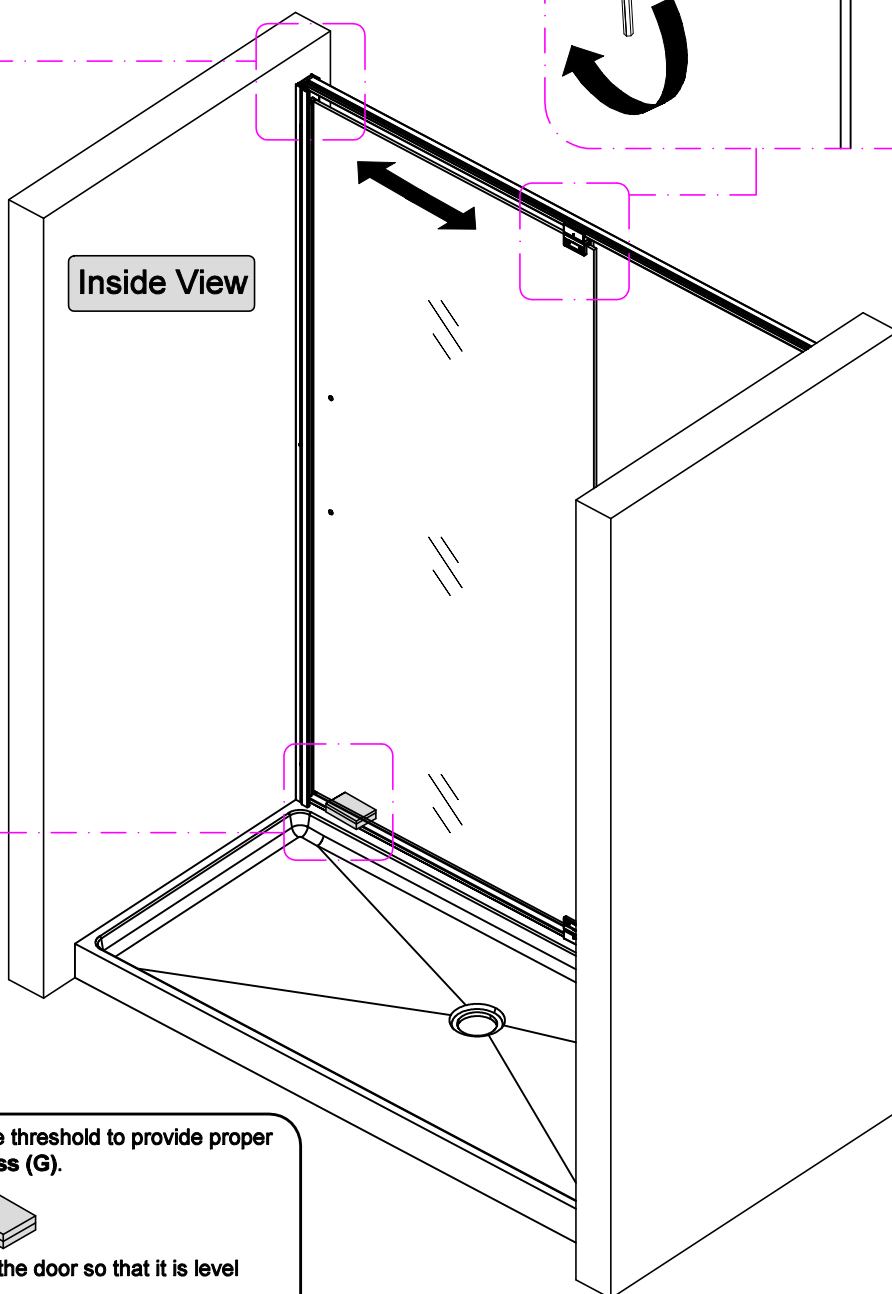
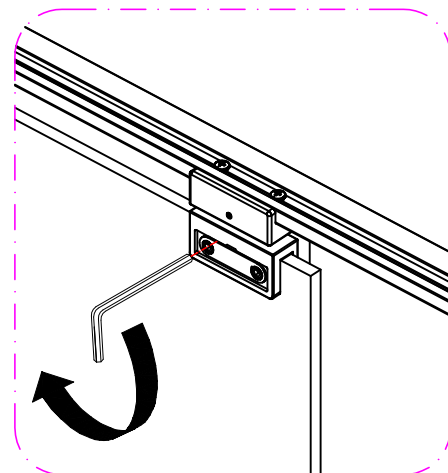
The NANO GLASS lable faces inside!

5-3

Close the door and adjust its position, then tighten the set screws. Then install the door magnetic strip (Q). Place a plastic mat (hh) under the bottom of the door before tightening the set screws.



Install the magnetic strip



Plastic mat

(ff)

NOTE

Place Plastic mat (f f) onto the threshold to provide proper spacing beneath the Door glass (G).

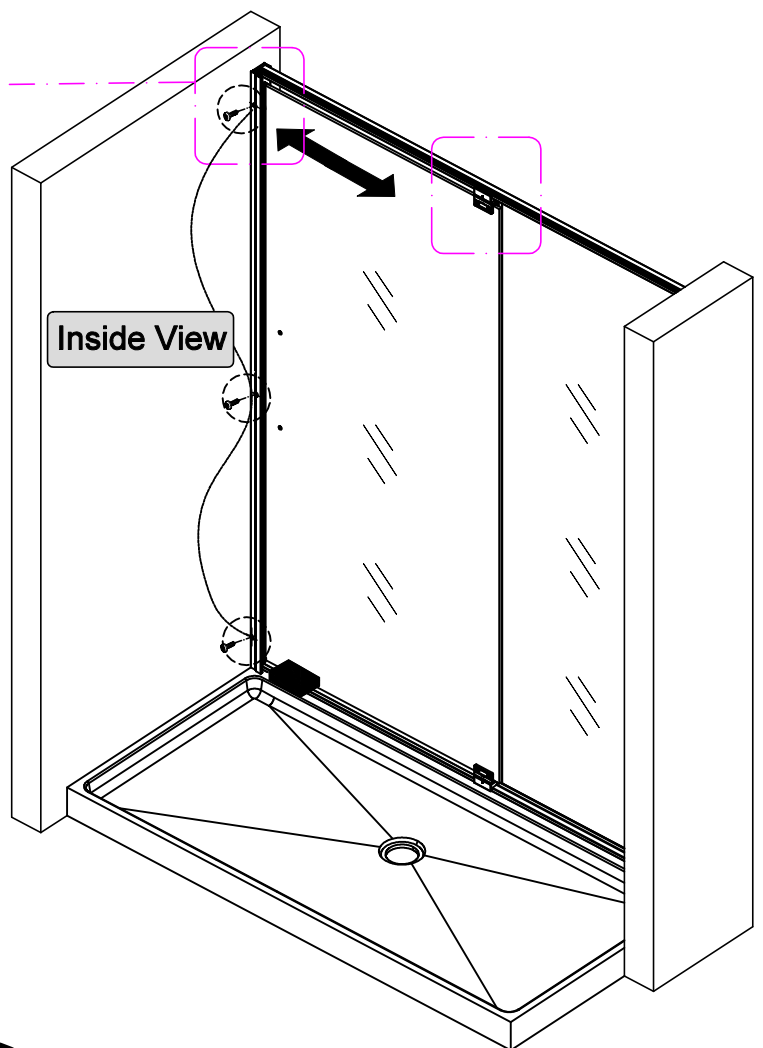
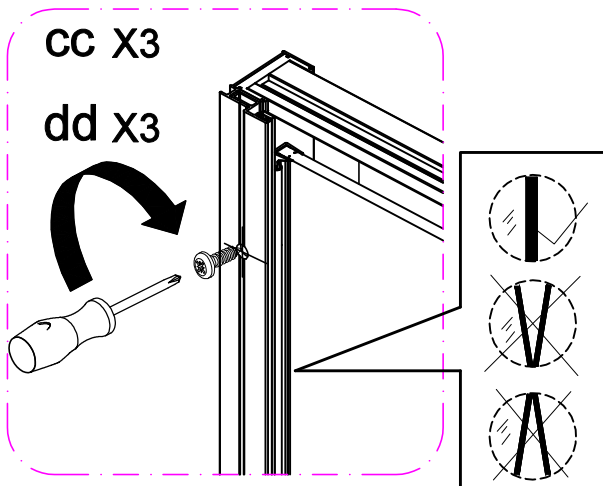
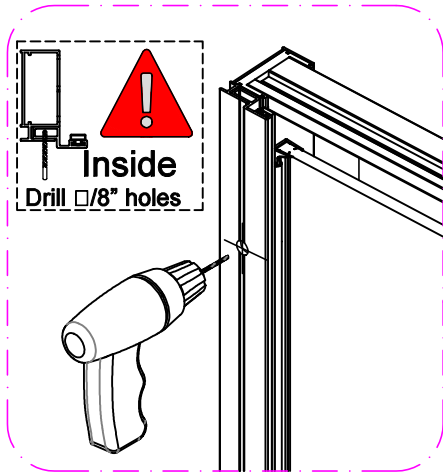


Make any final adjustments to the door so that it is level and plumb in the opening.

6

After adjusting the door, drill three holes on the magnetic frame (O) and magnetic aluminum (P) with a 1/8" drill bit, penetrating the first and second layers.

Tighten with ST4X6 (dd) screws and cover with cap (cc).



NOTE

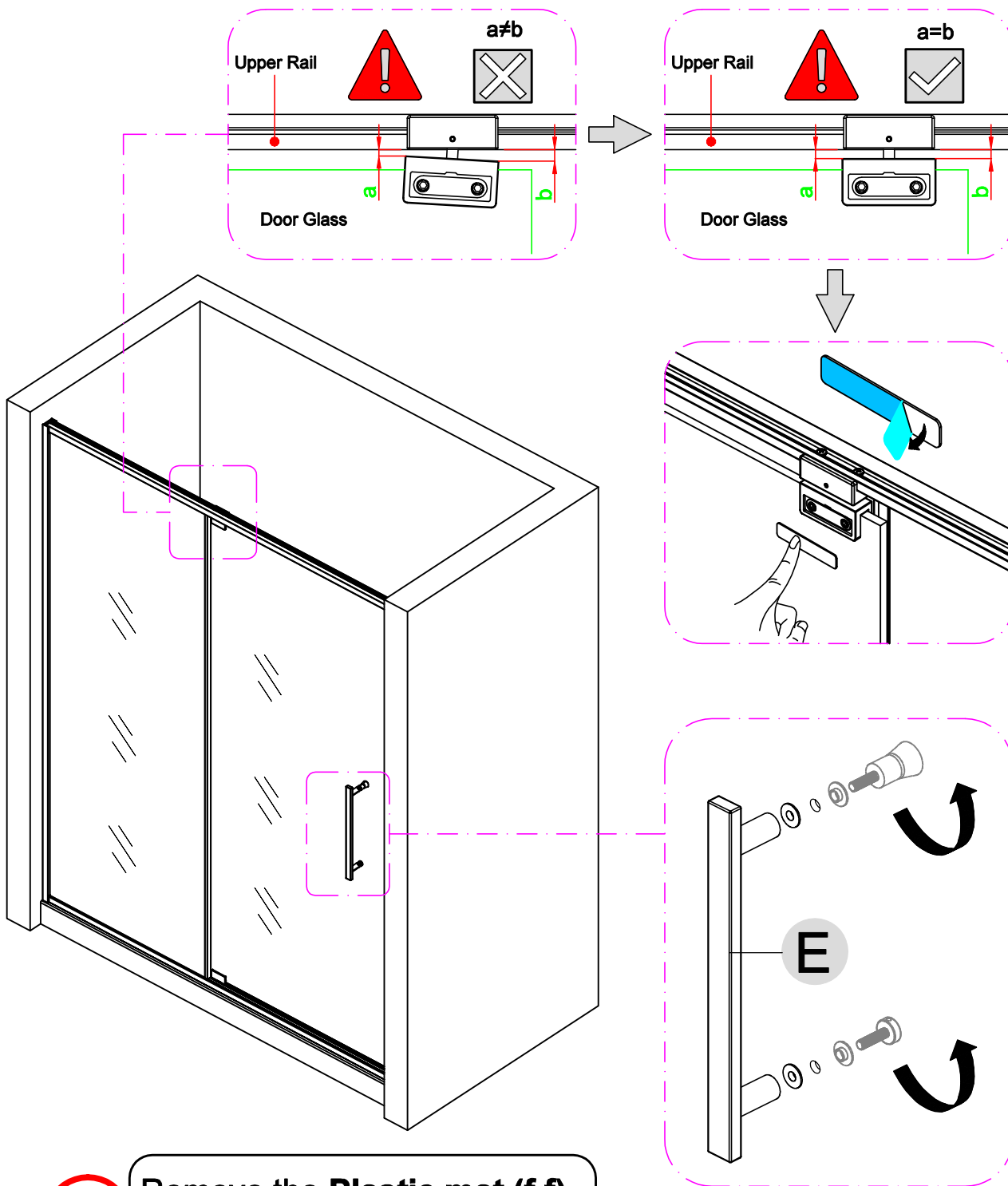
Include the washers when installing the ST4.0x6mm Pan Head Screws (dd) and Decorative Caps (cc).



Make sure the magnetic seals close properly!!

7

Tear off the protective film on the decorative cover of the pivot assemblies and stick it on the pivot assemblies. Install the handle, be sure to install the plastic washer on the handle to protect the glass

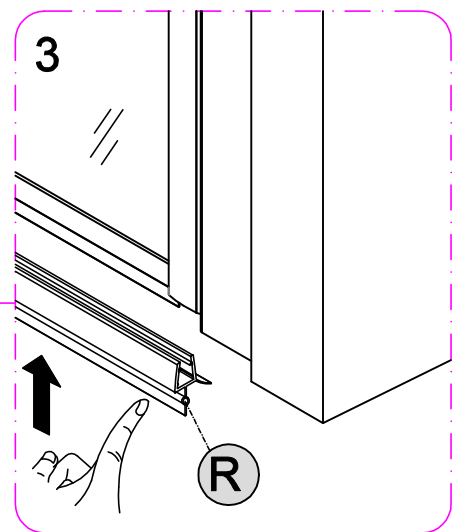
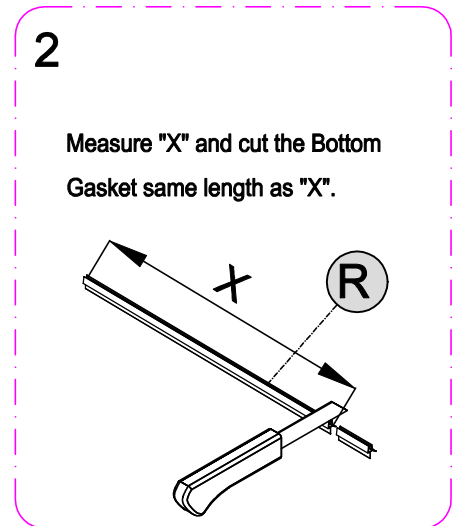
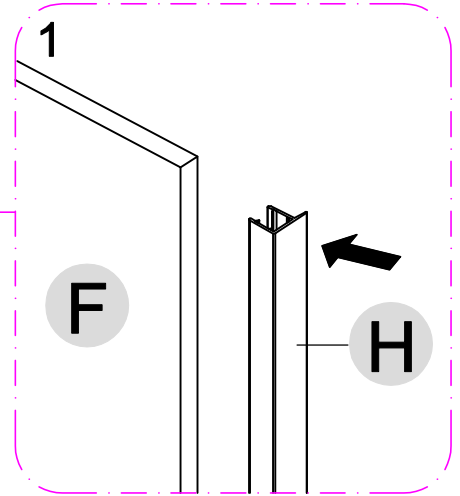
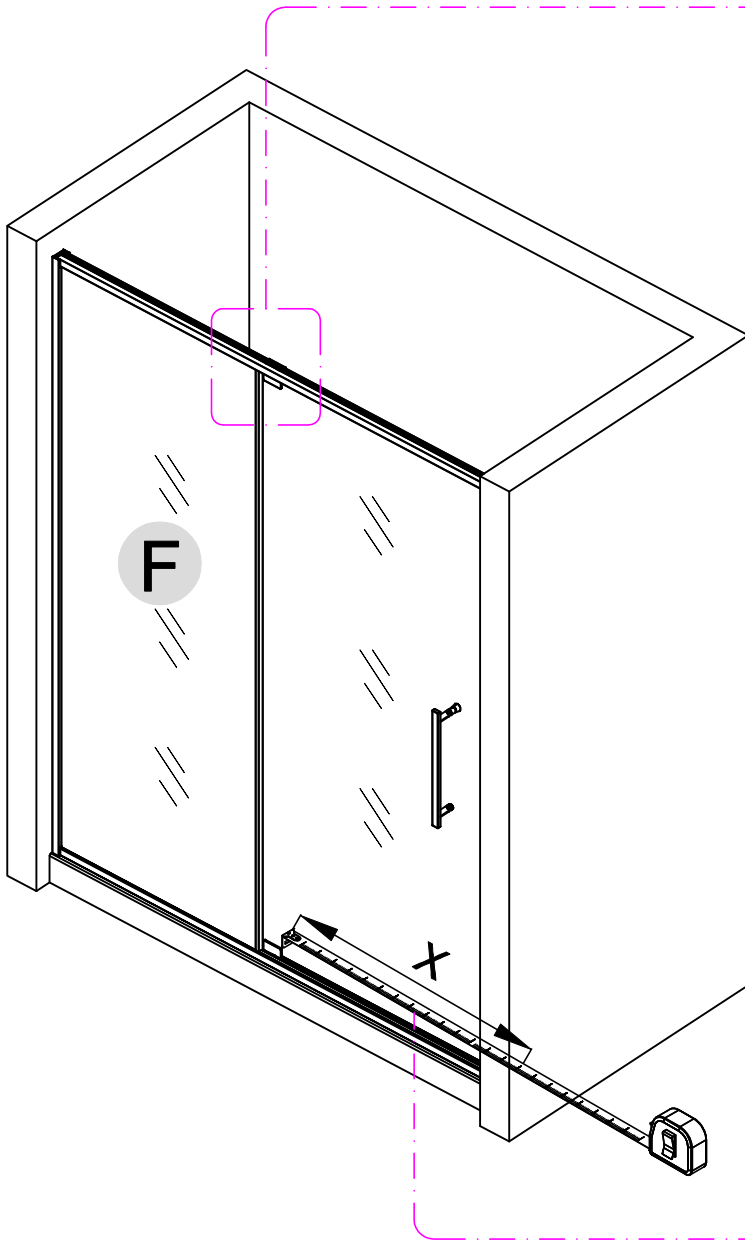


NOTE

Remove the **Plastic mat (f f)** and open the door.

8

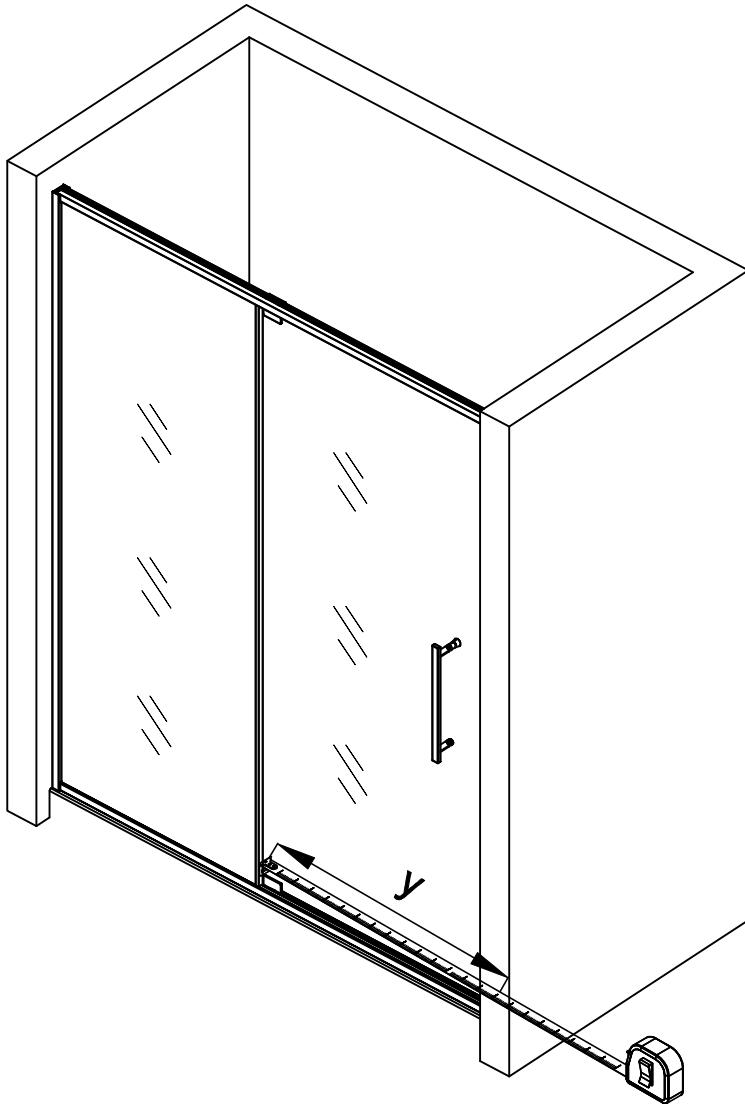
Install the side waterproof strip (H) of the fixed glass.
Install the bottom waterproof strip (R) of the door glass.



NOTE "X" is from pivot assemblies (C) edge to magnetic strip (Q) on the door.

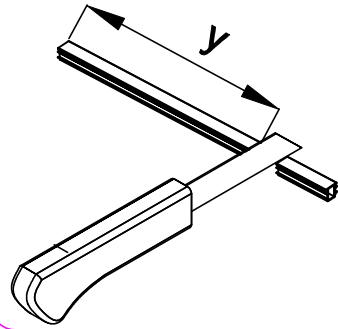
9

Install the rail filling rubber strip.

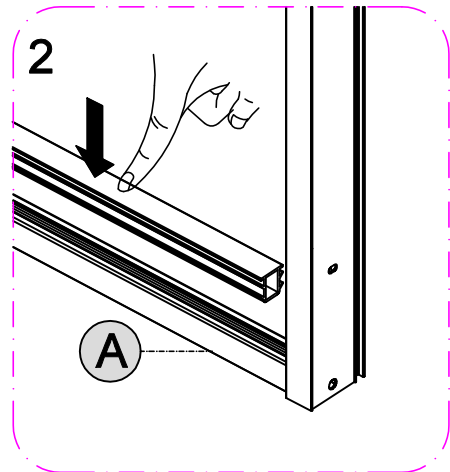


1

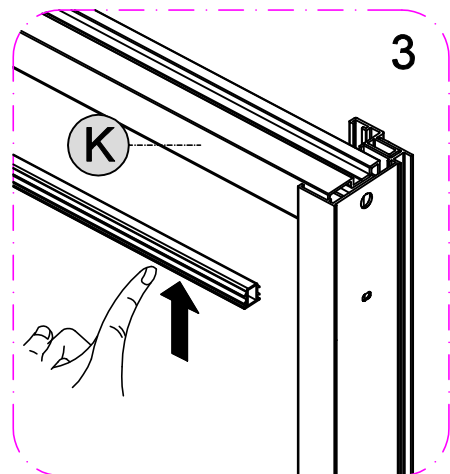
Measure "y" and cut the rail filling rubber strip same length as "y".



2



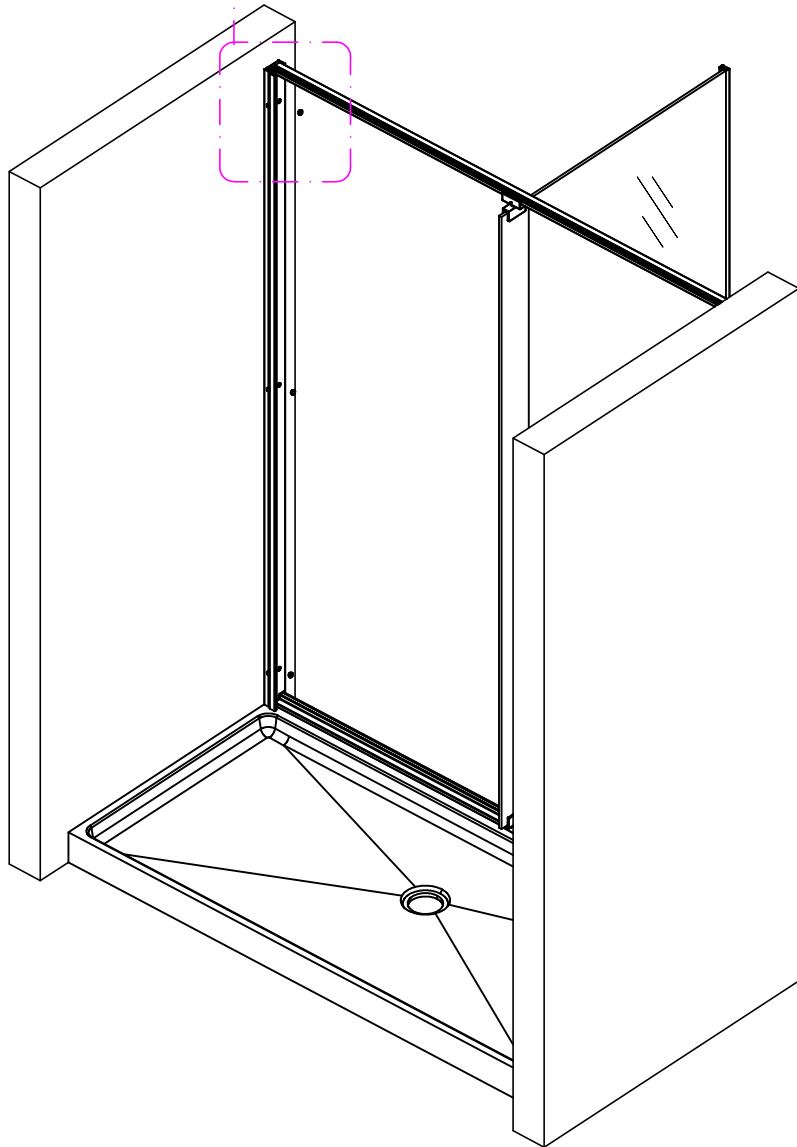
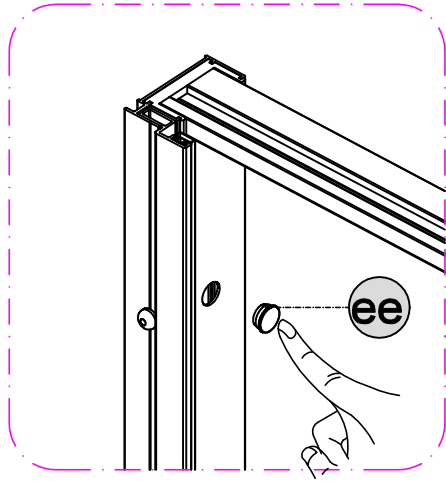
3



NOTE

"y" is from fixed glass (F) edge to magnetic frame(O) .

10 Cover the magnetic strip frame decorative cap (ee).



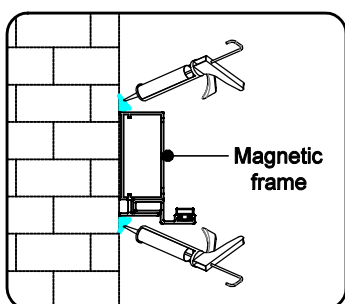
11 SEALING

NOTE The surfaces need to be clean and free of debris before applying silicone.

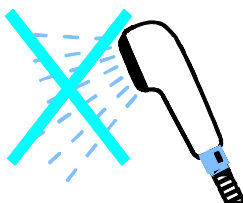
NOTE Ensure that the Shower door closes tightly and opens smoothly. Apply a good quality silicone sealant along the magnetic frame(O),fixed glass frame(D),bottom rail(A) .



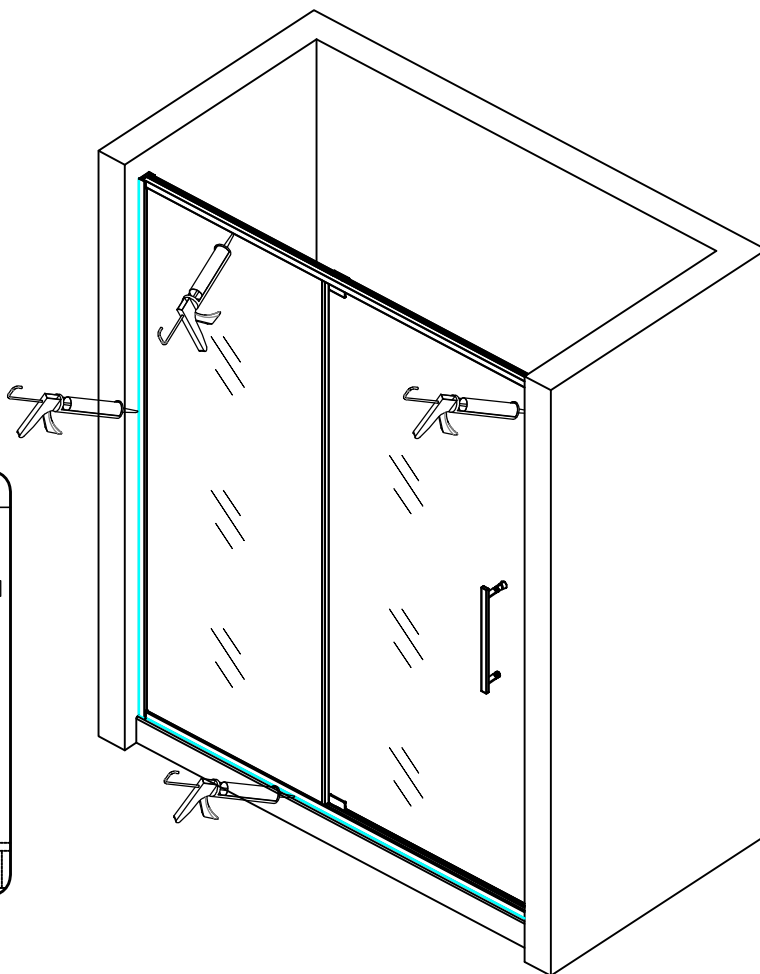
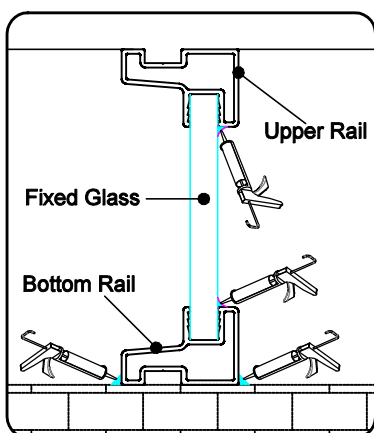
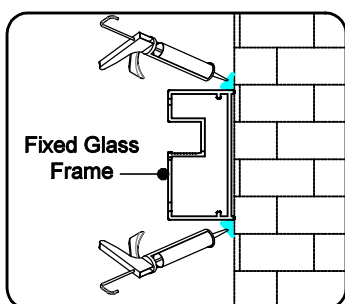
Allow 24 hours for the silicone to cure before using the shower.



24 hour



! Apply Silicone Sealant, (not supplied).



12 Complete.