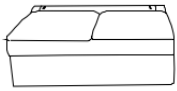

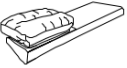

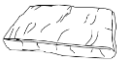
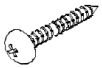


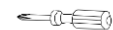
# ASSEMBLY INSTRUCTIONS

MODEL: LG-9801    ARMLESS STORAGE

## LIST OF PARTS

NO.	Description	Item	Quantity	NO.	Description	Item	Quantity
A	SEAT		1 PC	D	MALE BRACKET		2 PCS
B	BACK REST( PACKED IN LC)		1 PC	E	ROUND PLASTIC LEGS (50x50x50mm)		4 PCS
C	RIGHT BACK CUSHION		1 PC	W	SCREW (Ø8x45mm)		4 PCS

Please identify and locate all assembly parts (see parts list) before discarding any packing materials. Some parts may have become loose during transit.



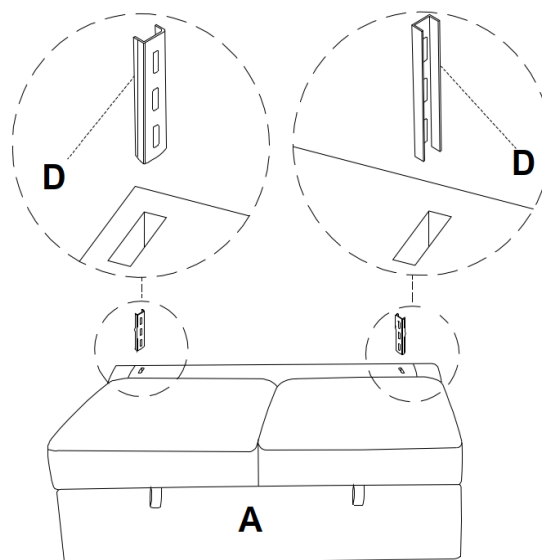
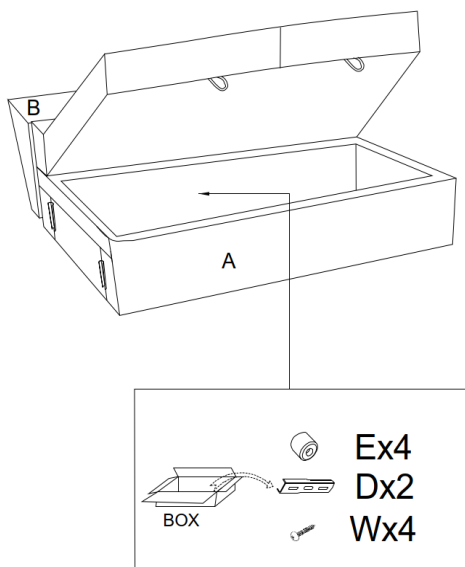
Not Included

Note: Do not use power tools for assembly. Power tools increase the risk of over tightening which lead to splitting or cracking the wood.

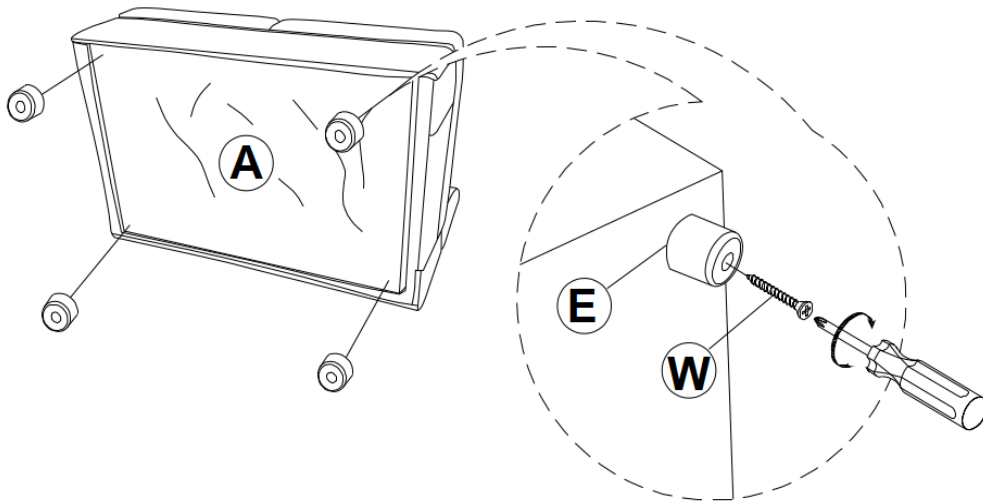
## ASSEMBLY INSTRUCTIONS

**STEP 1:** Take out carefully the Parts from the packing.

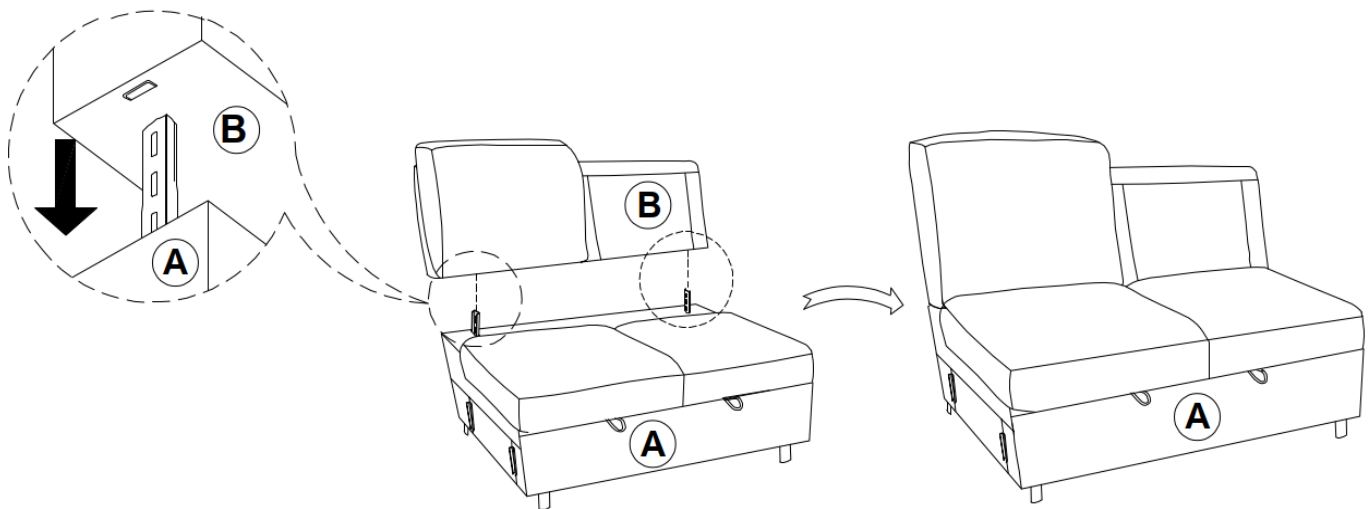
**STEP 2:** Attach the bracket into the seat



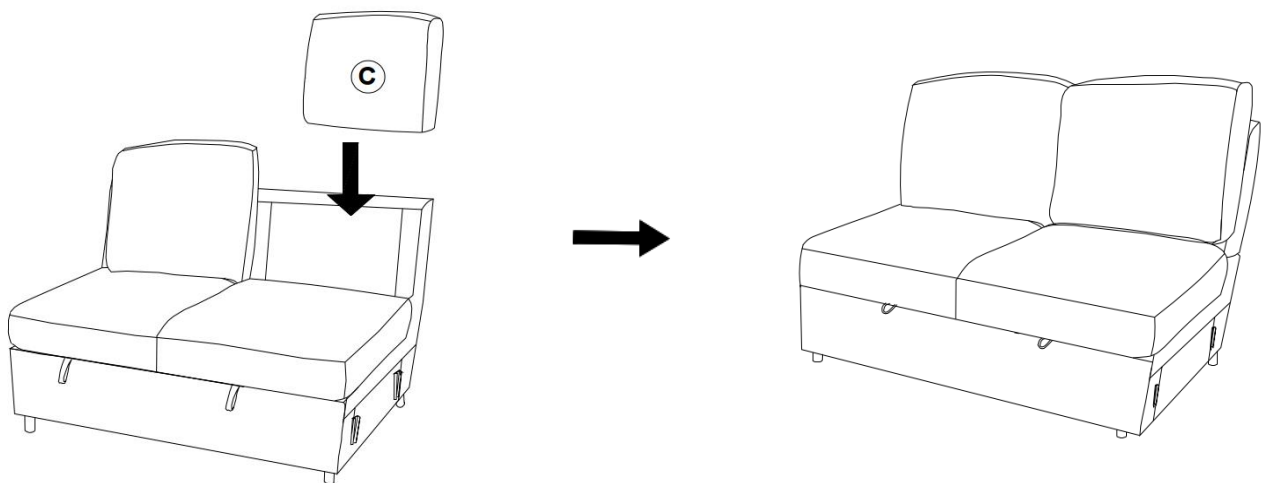
**STEP 3: Assemble the legs**



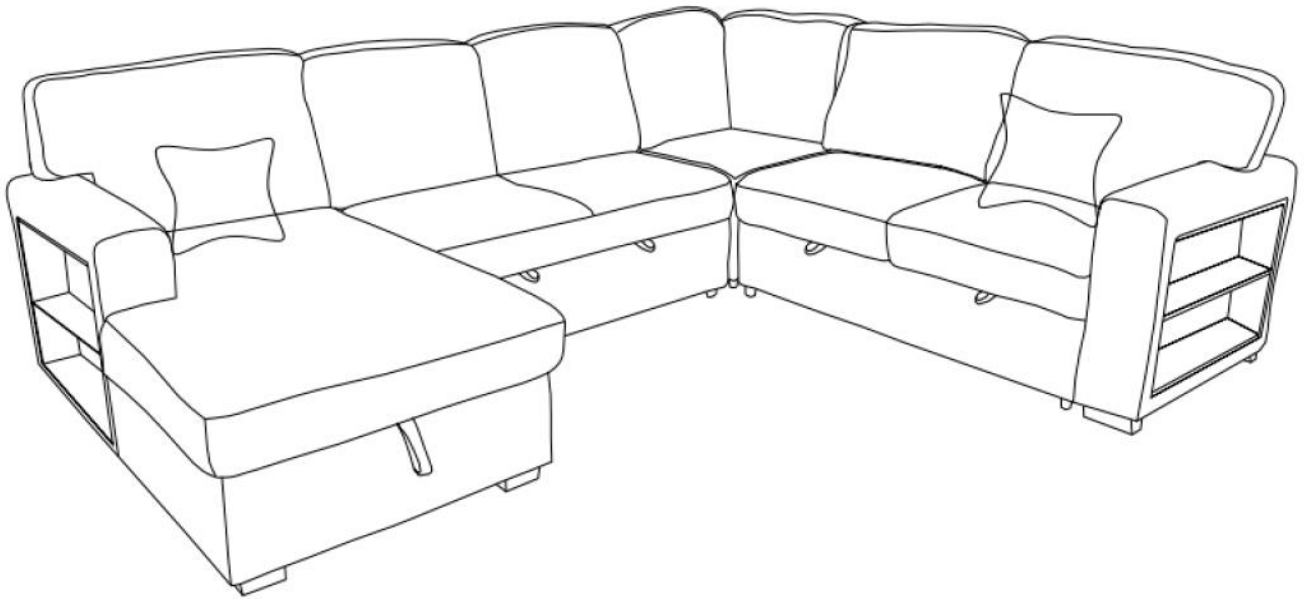
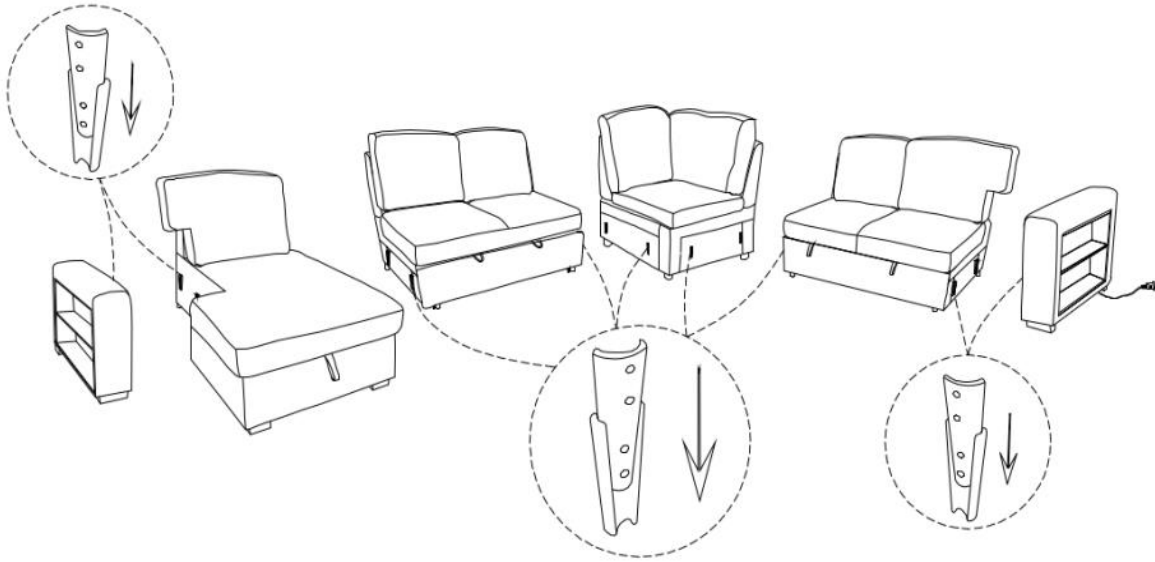
**STEP 3: Assemble the Backrest**



**STEP 4:**



**STEP 5: ASSEMBLE THE SECTIONAL**



**WARNINGS**

- Do not stand or jump on any portion of the sofa , whether in the open or closed position.
- For indoor use only.
- Please do not expose to direct sunlight.
- Do not allow electrical components to come into contact with any liquids.