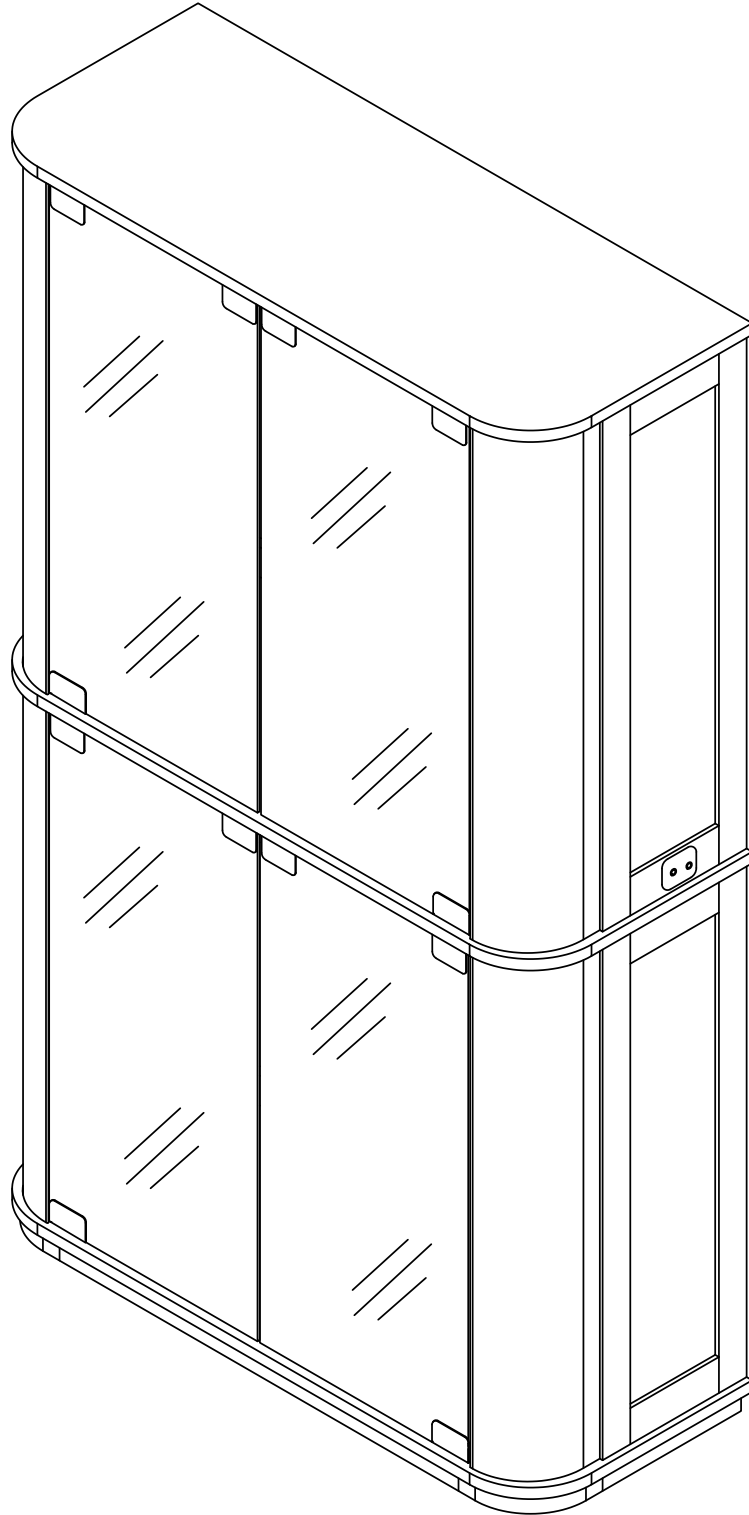
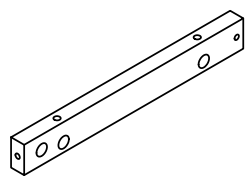
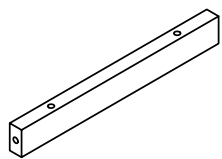


# Product Installation Instructions





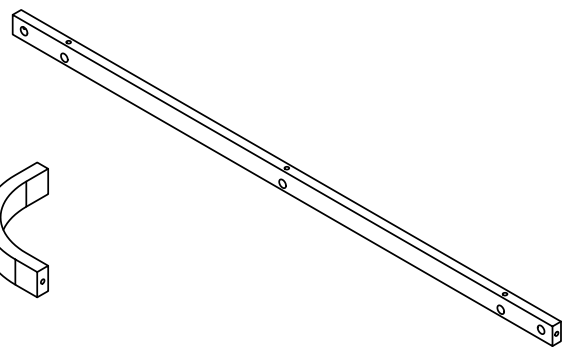
**Ax1**



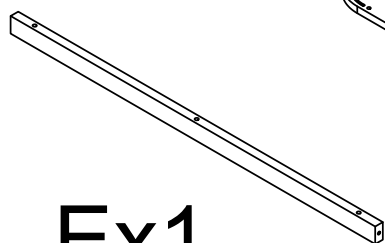
**Bx1**



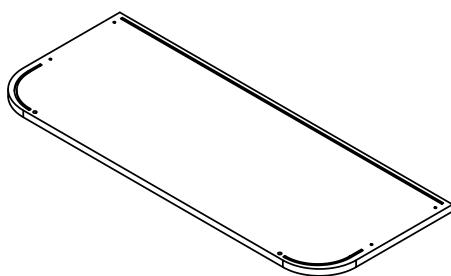
**Cx2**



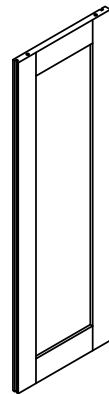
**Dx1**



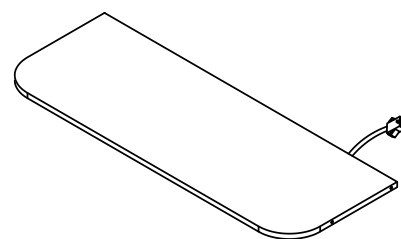
**Ex1**



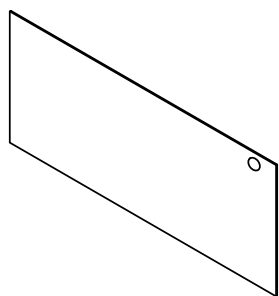
**Fx1**



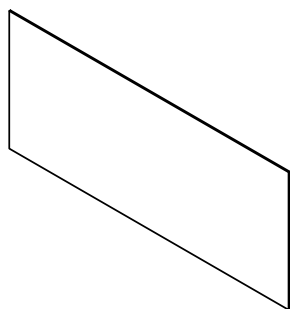
**Gx3**



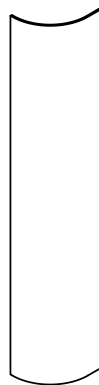
**Hx2**



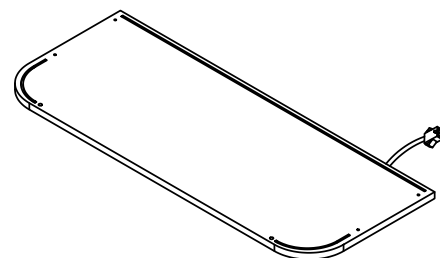
**Ix2**



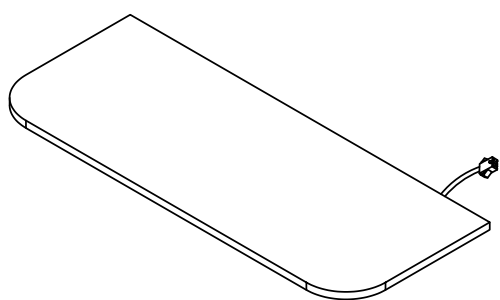
**Jx2**



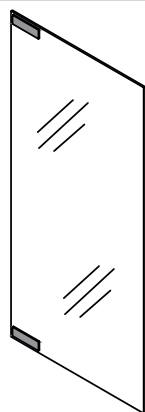
**Kx4**



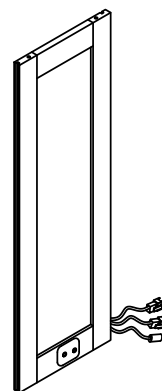
**Lx1**



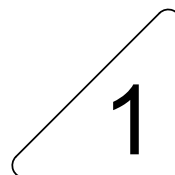
**Mx1**



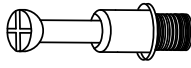


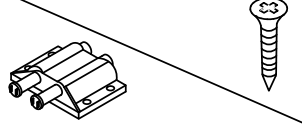
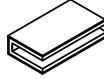
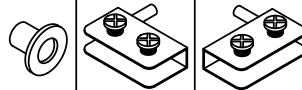

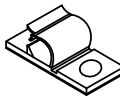
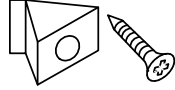



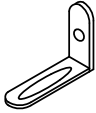
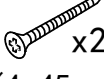

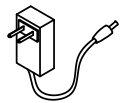
**Nx4**



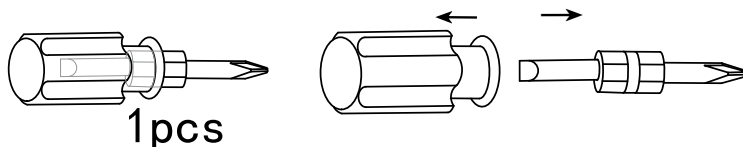
**Ox1**



**1**

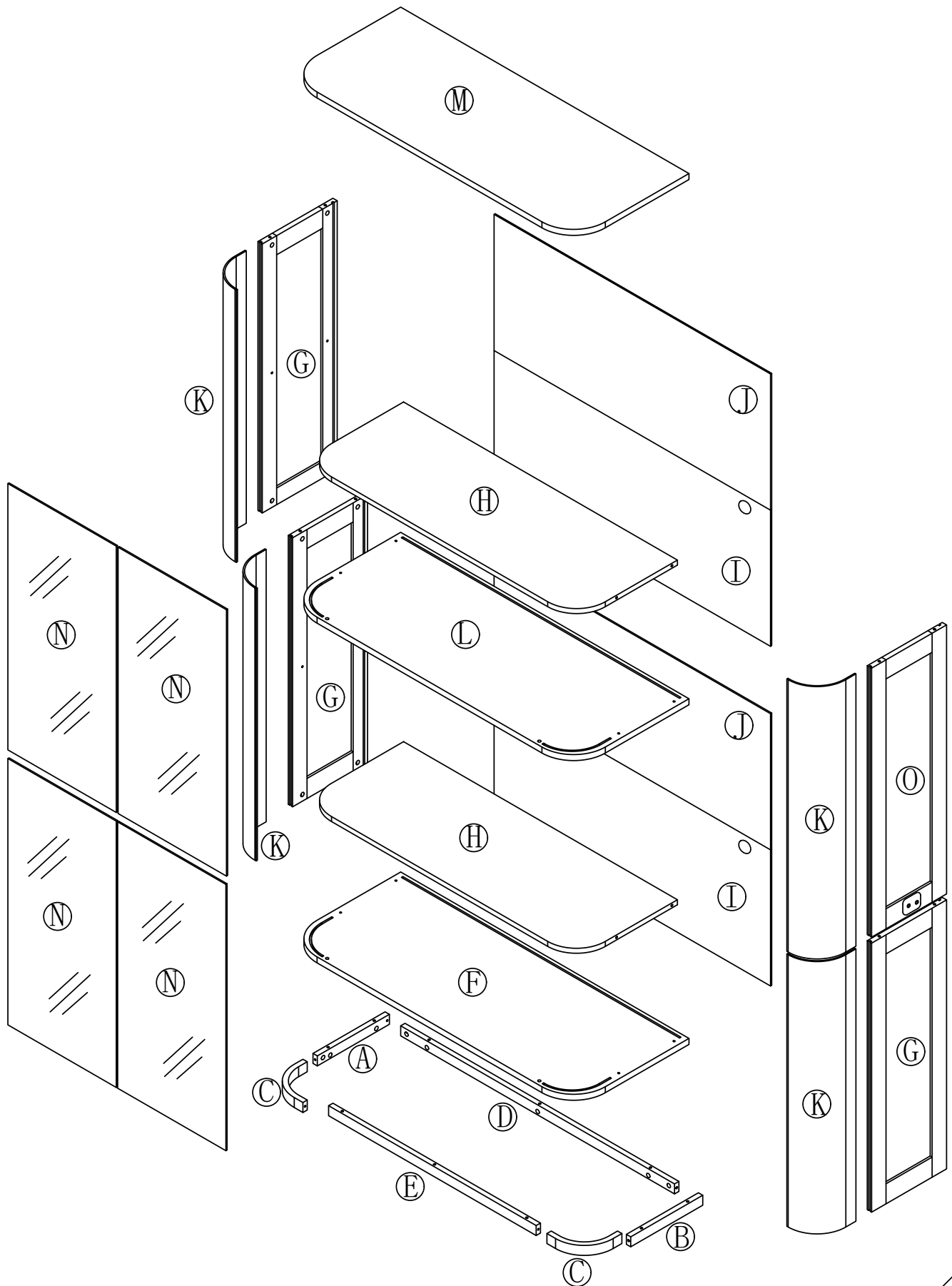
①		Two in one screw (6x28mm)	40pcs +4pcs			
②		Two in one nut (10x12mm)	40pcs +4pcs			
③		Non-slip pads (50x10x2mm)	10pcs +2pcs			
		Rebound device & Screw (3x16mm)	8pcs +2pcs 2pcs			
④		Iron sheet	4pcs			
		Hinge	8pcs 4pcs 4pcs			
⑤		Double end connecting line	2pcs			
⑥		Wire clamp	3pcs +2pcs			
⑦		Fixing clip & screw (3x16mm)	24pcs +2pcs			
⑧		Foot nail	6pcs +2pcs			
⑨	Anti Fall Hardware	 x2	 (3.5x14mm) x2	 x2	 x2 (4x45mm)	 x4
		AC/DC Adapter (12V=3.0A)	1pcs			

Double-head screwdriver, use as required



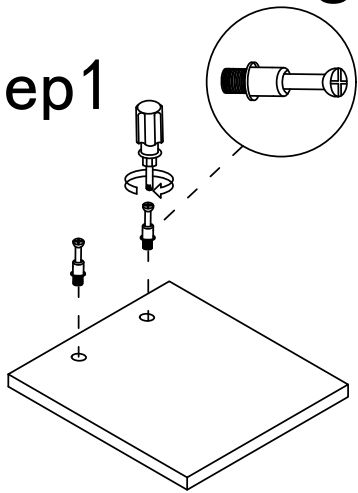
2

# Product structure decomposition

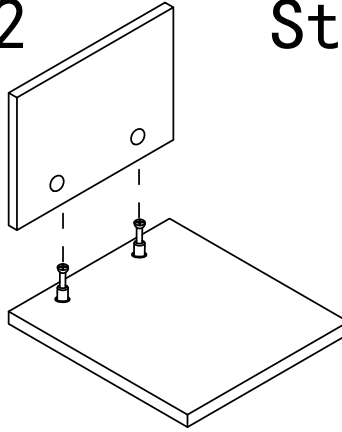


# Use parts ① and ②

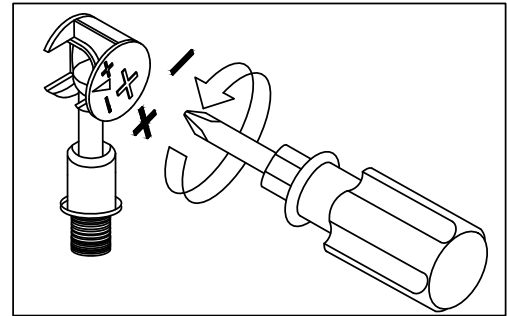
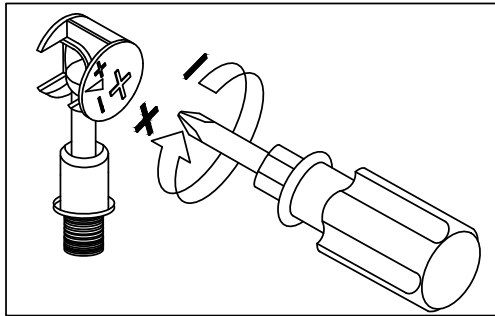
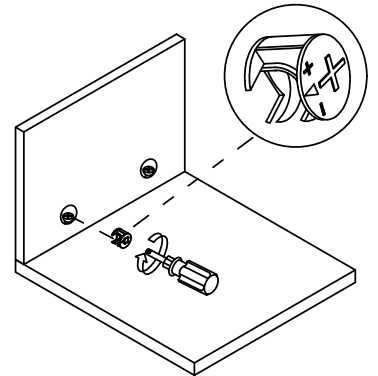
Step1



Step2



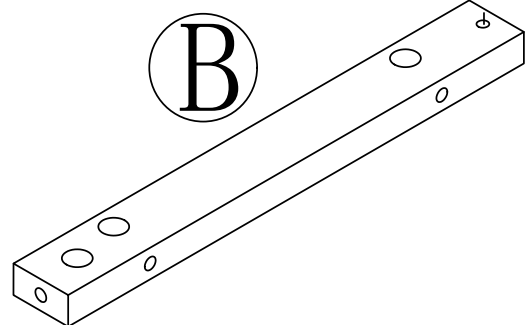
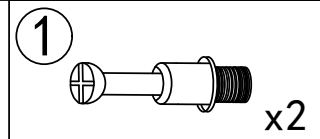
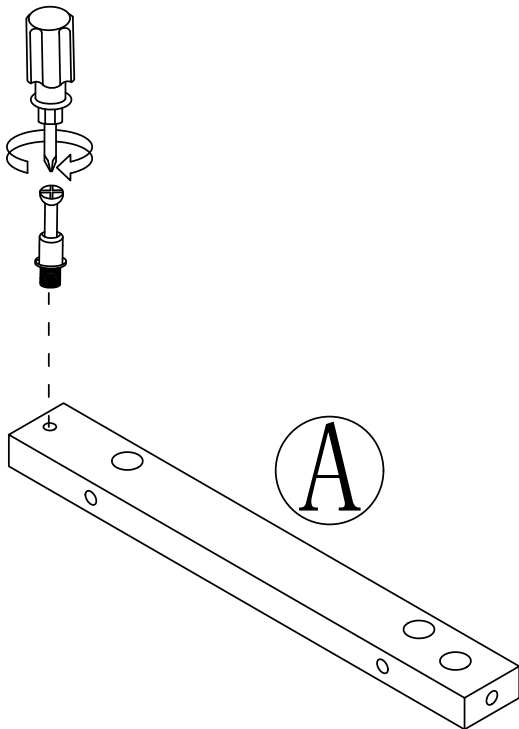
Step3



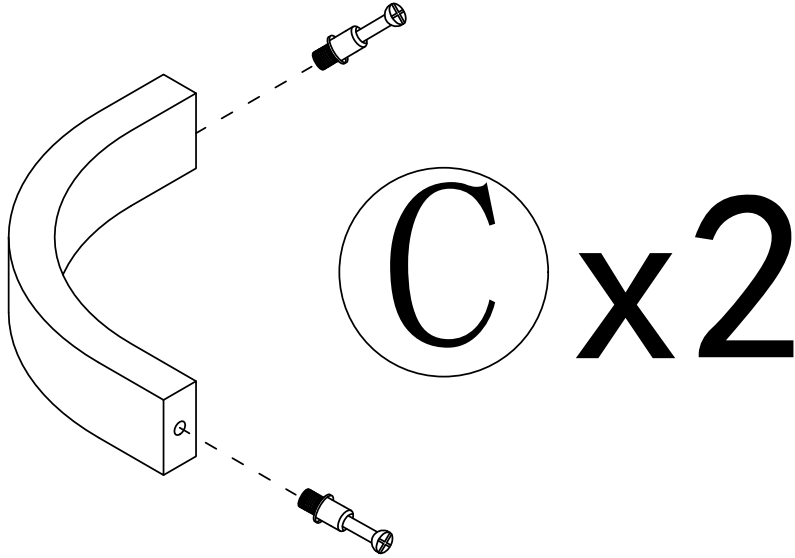
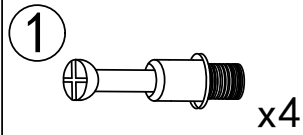
Use a screwdriver to lock in the direction of the "+" sign

Disassemble along the direction of "-" sign

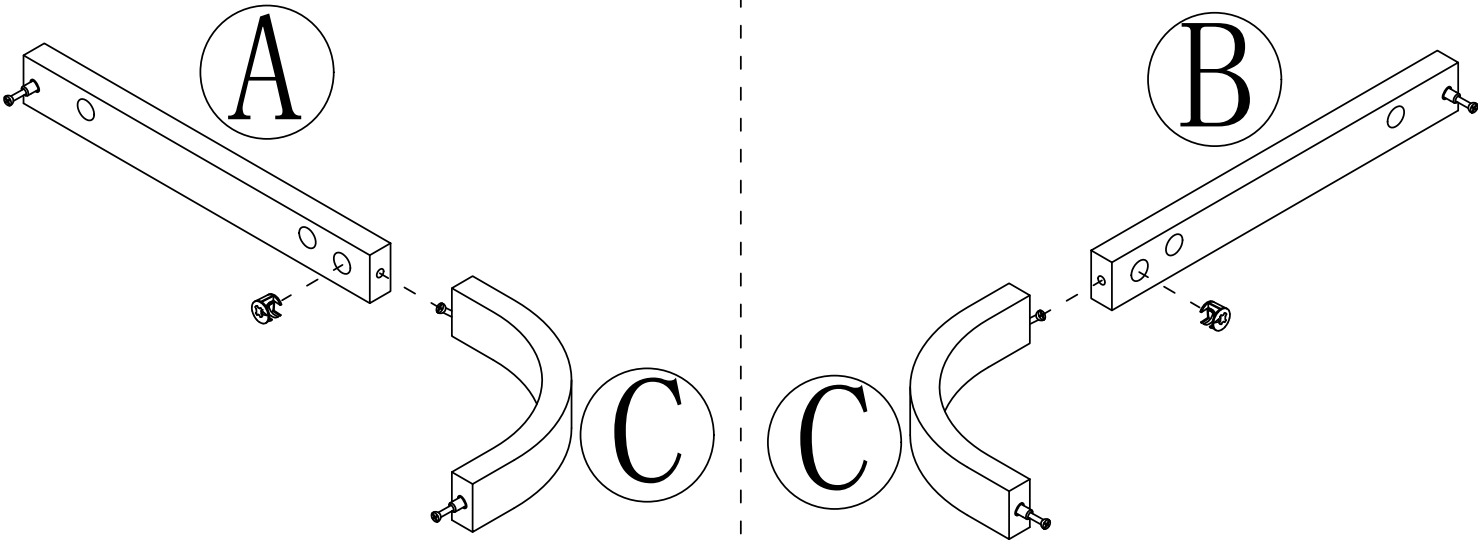
Step 1



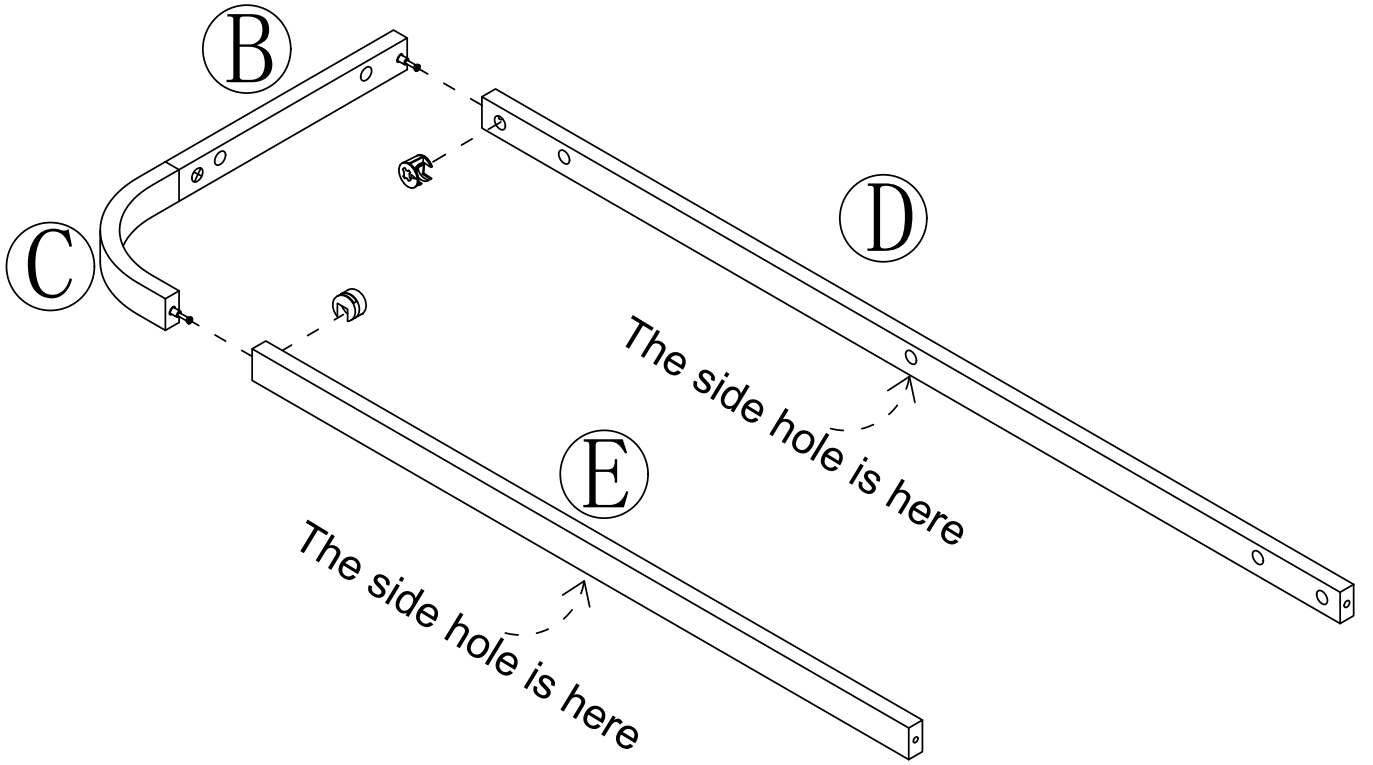
Step 2



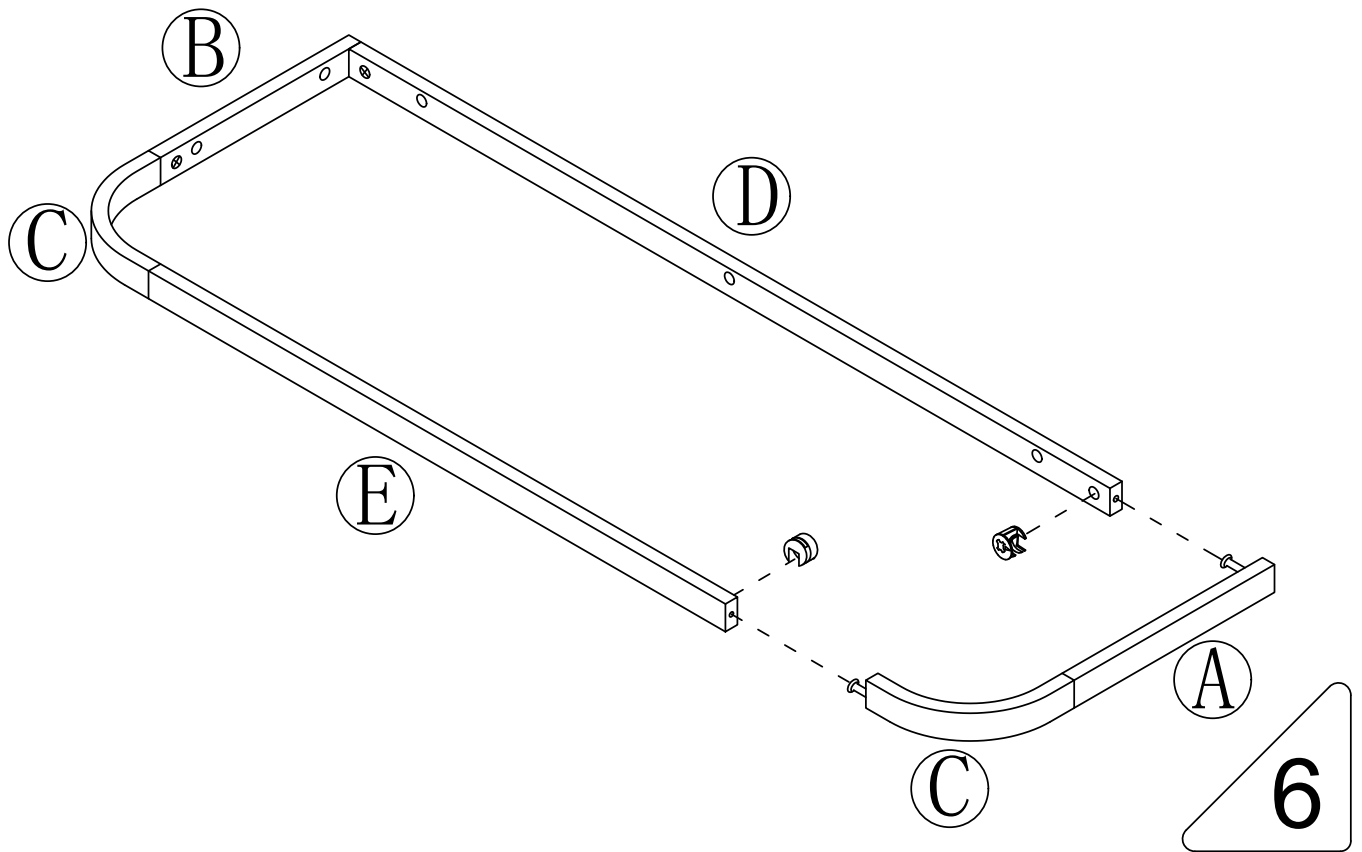
Step 3



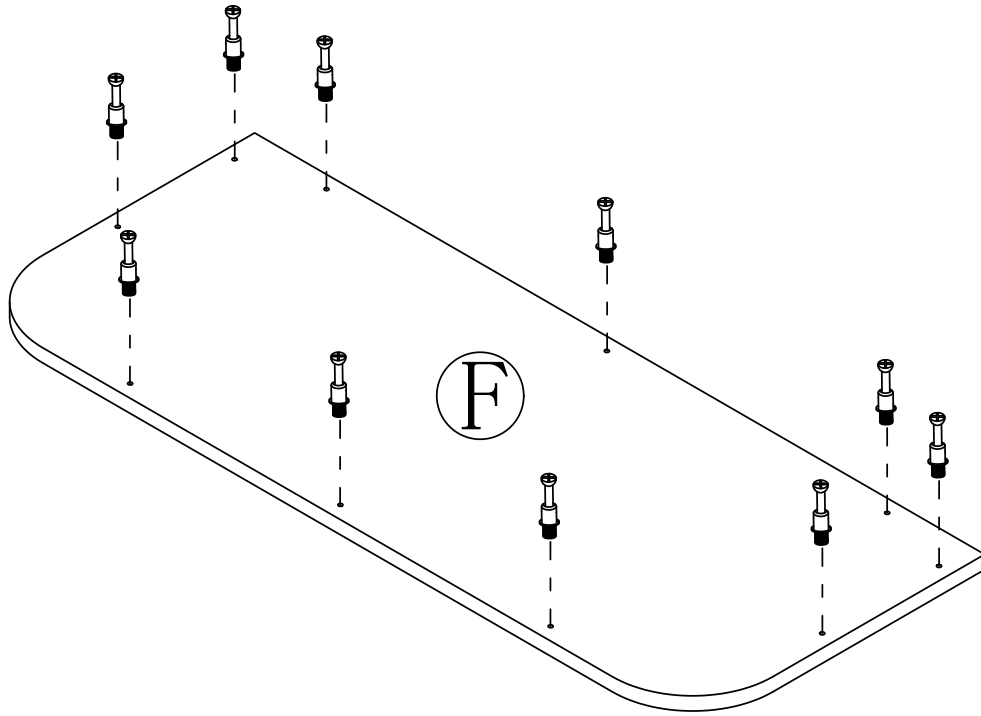
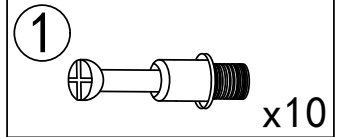
Step 4



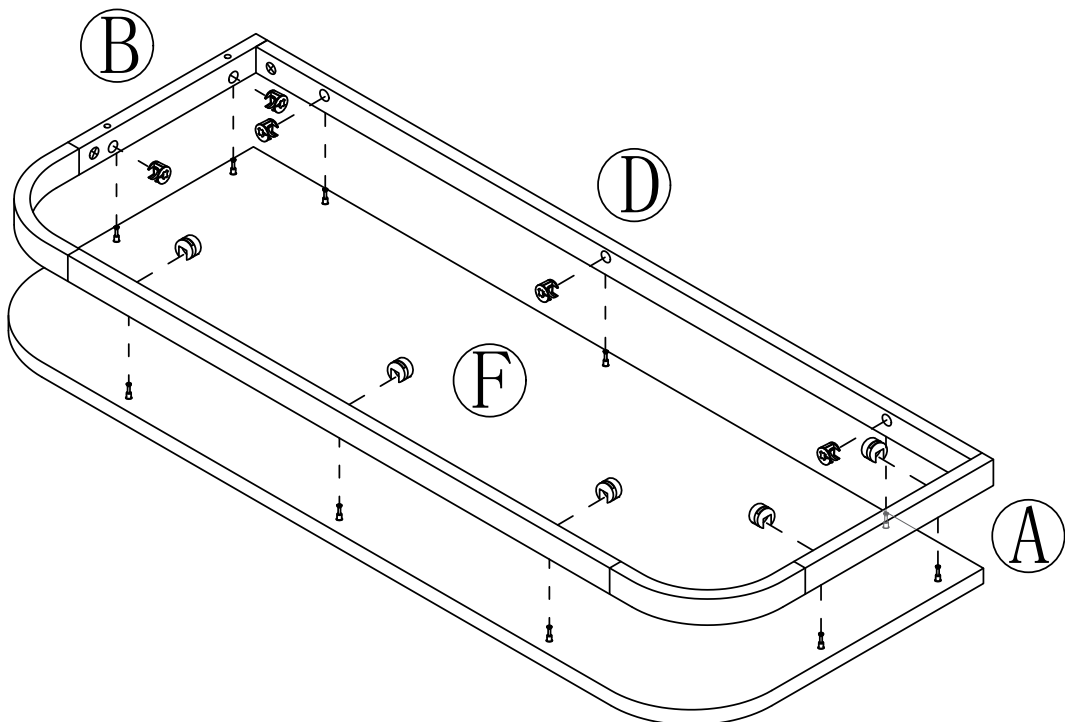
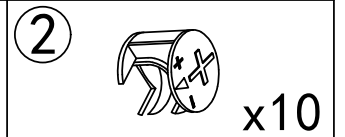
Step 5



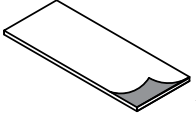
# Step 6

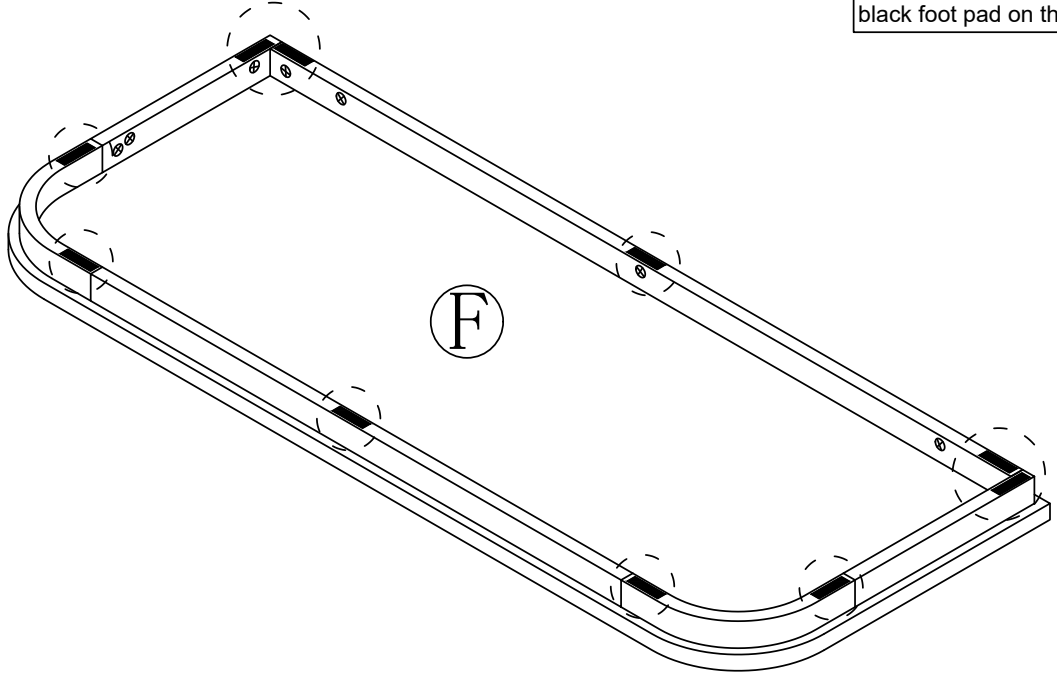


# Step 7

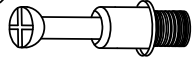


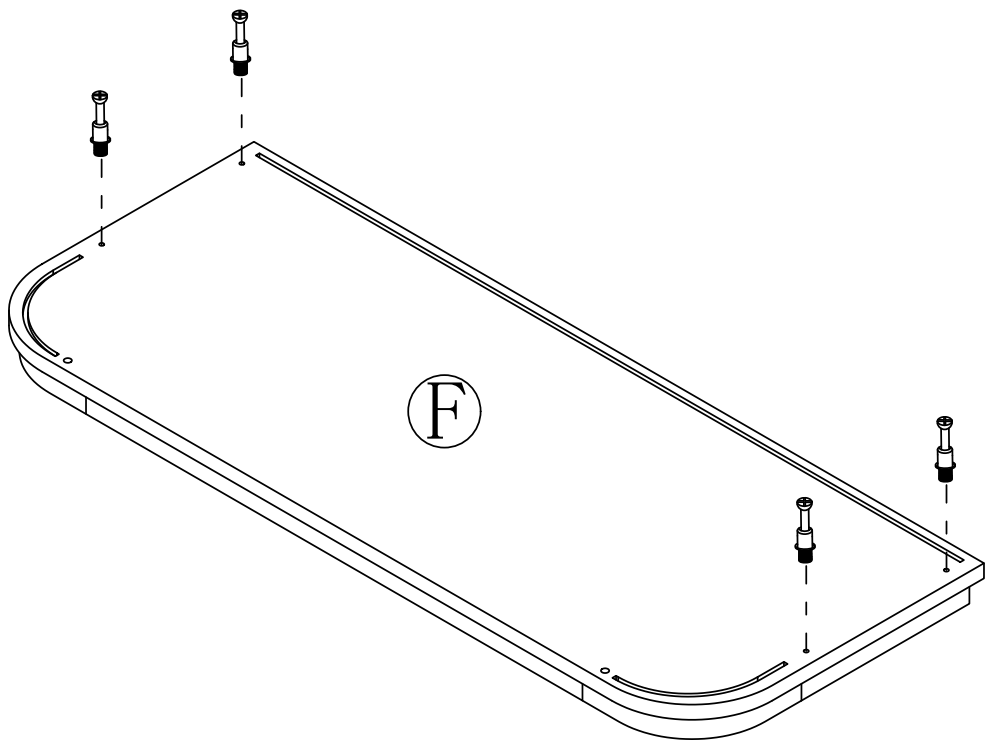
# Step 8

③  x10  
Tear off release paper and stick the black foot pad on the board

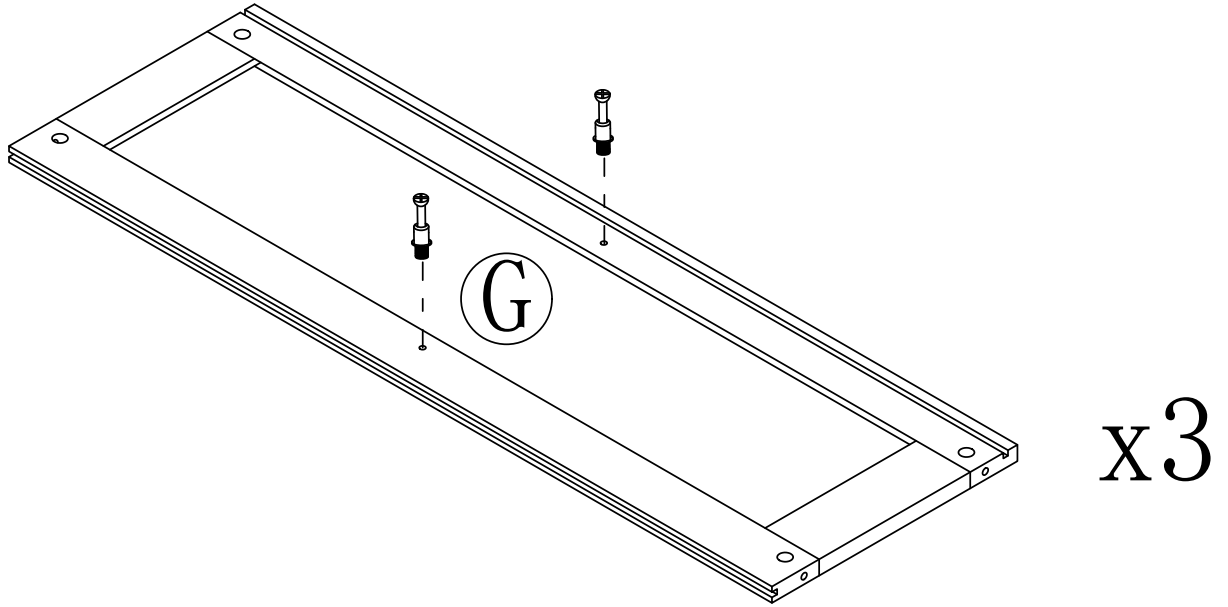
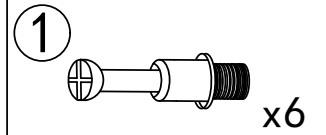


# Step 9

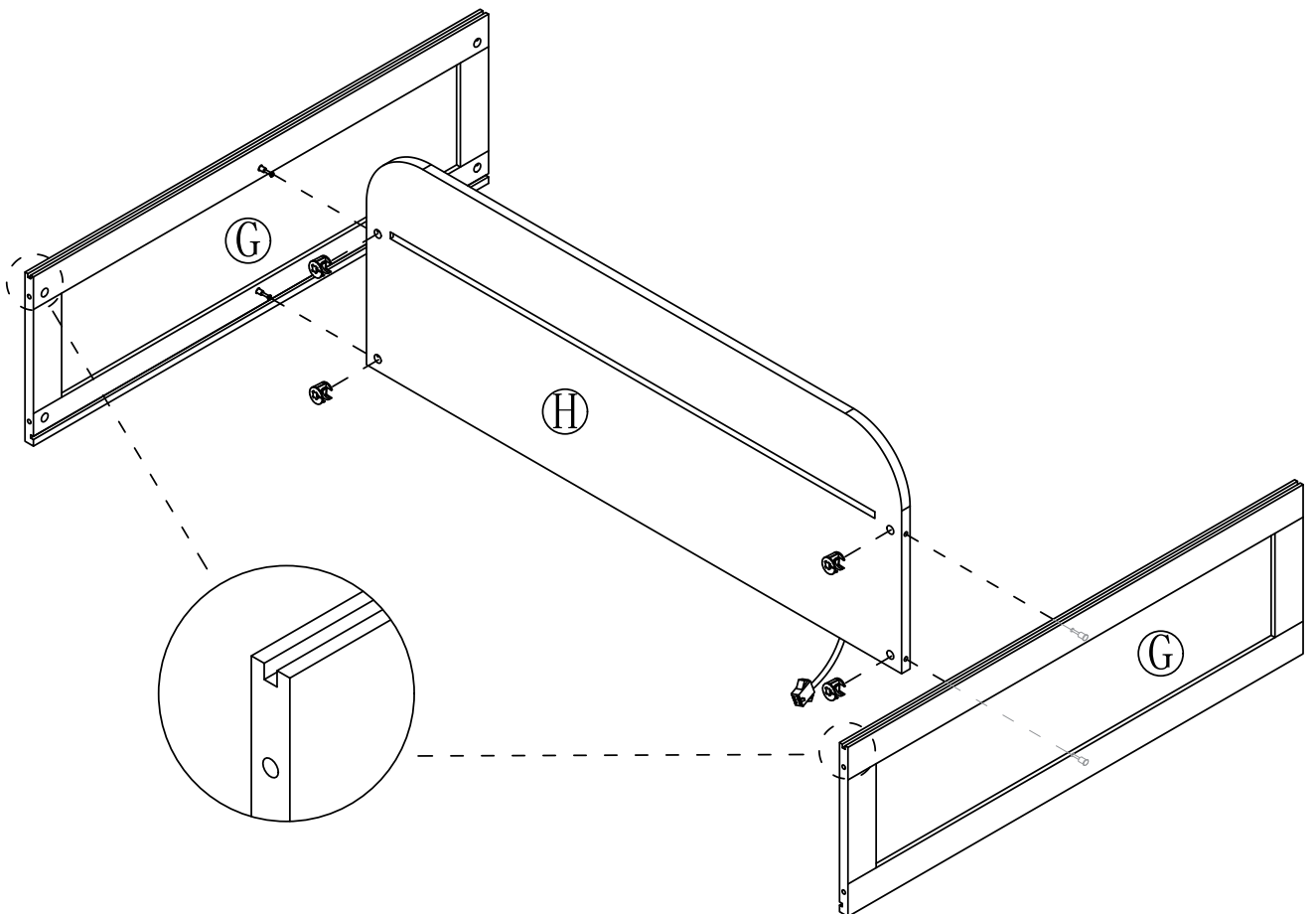
①  x4



Step 10



Step 11

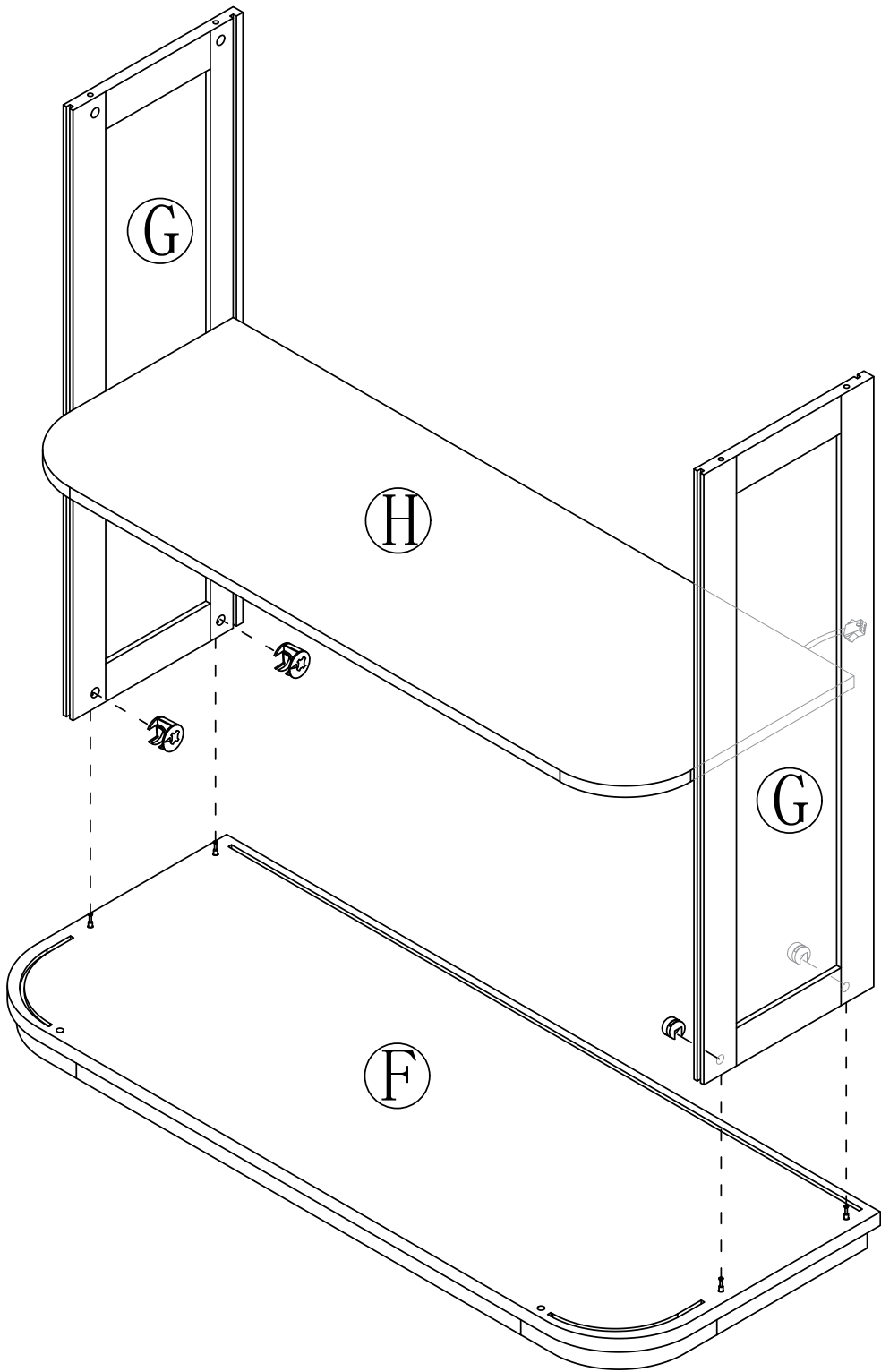


Step 12

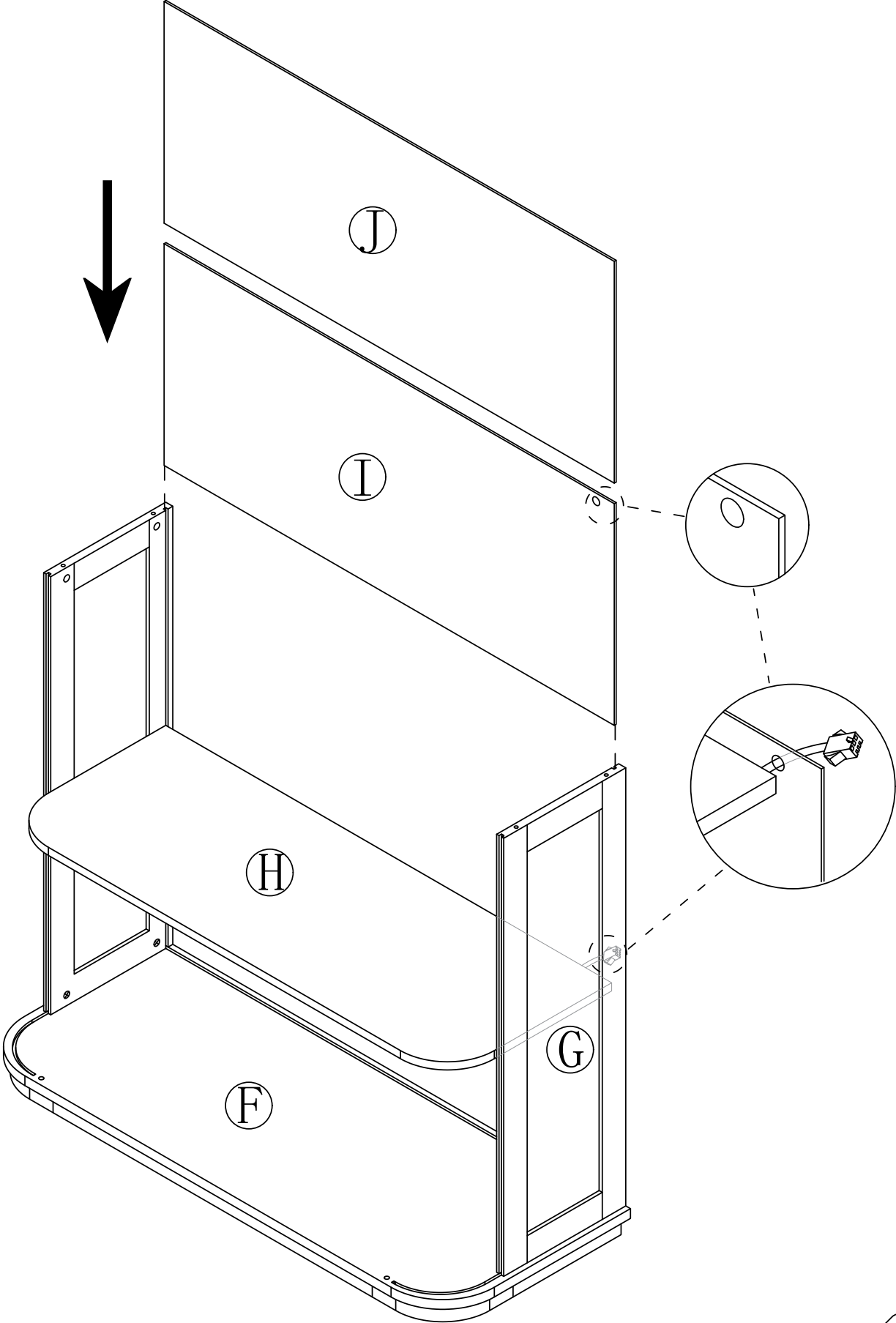
2



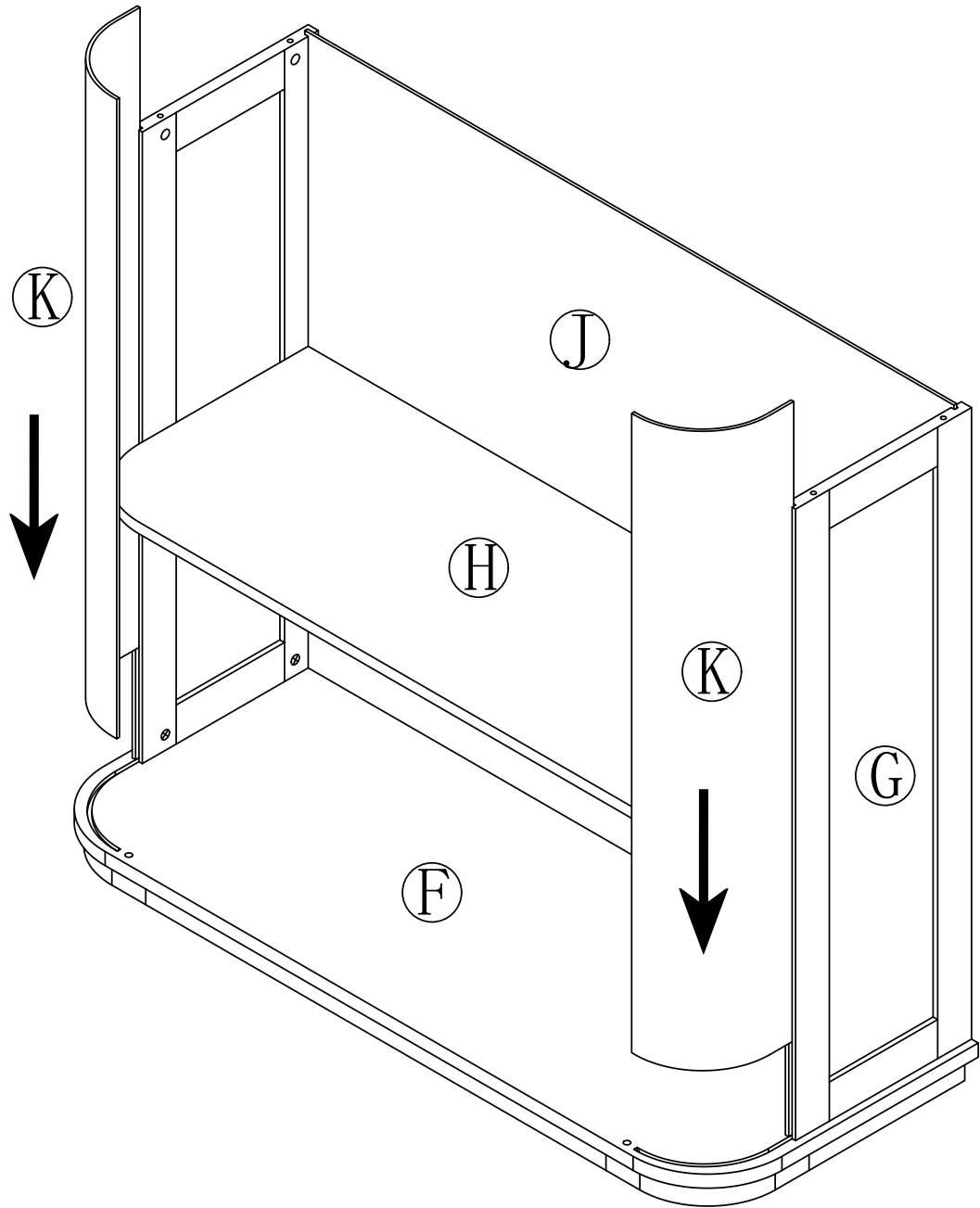
x4



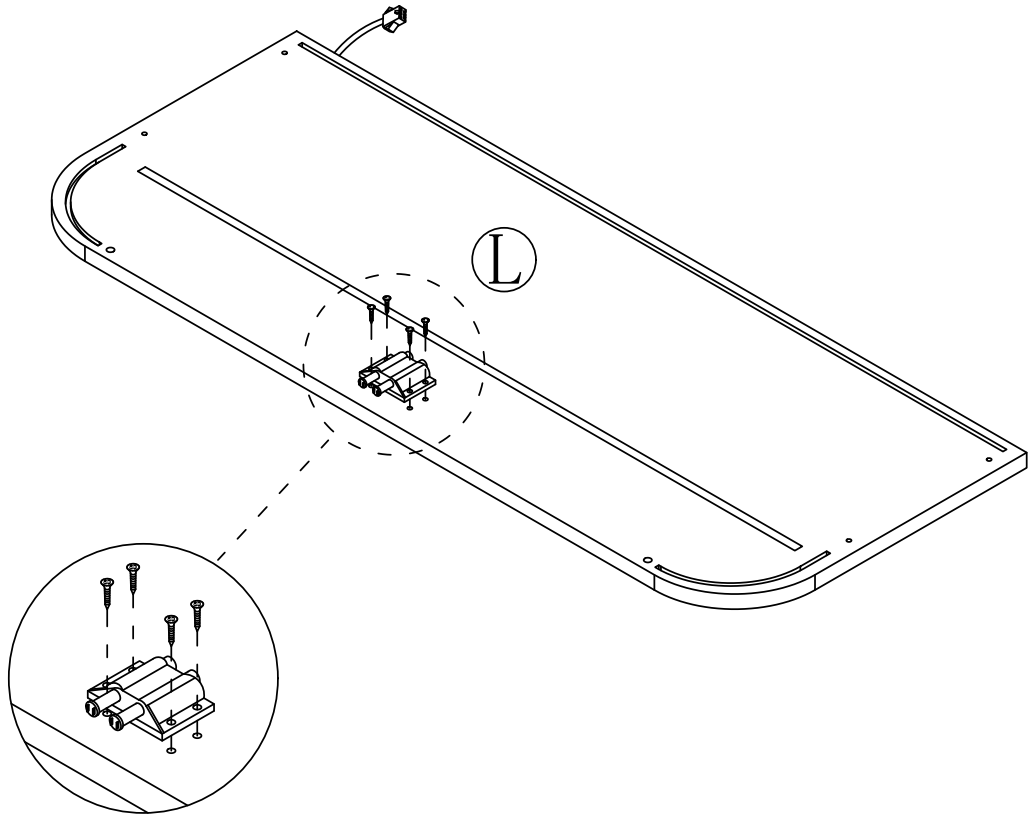
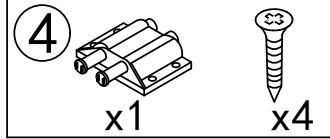
Step 13



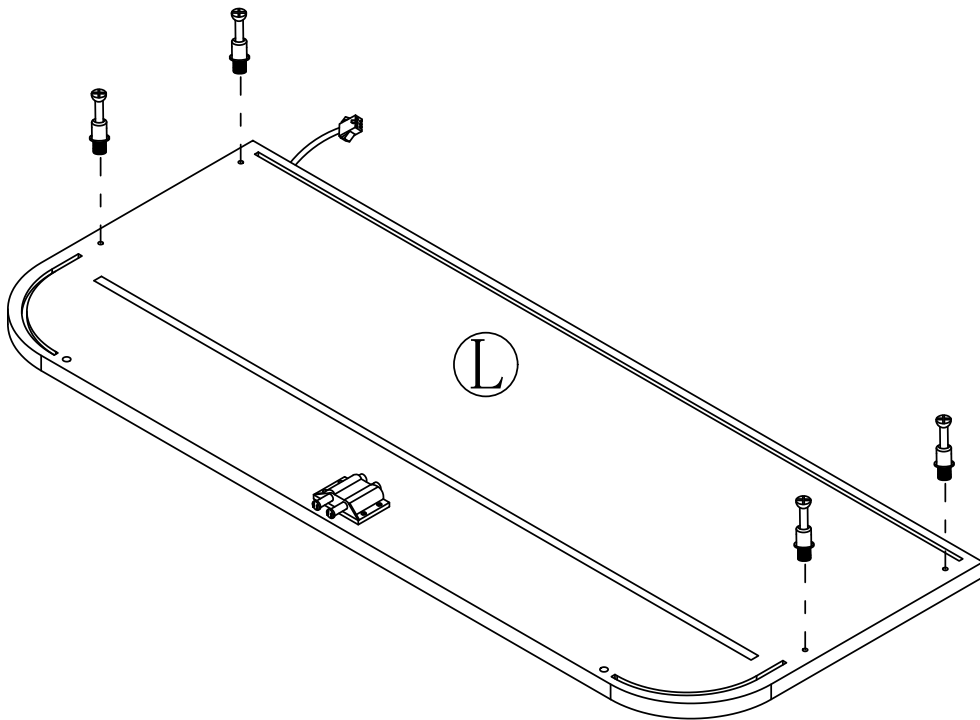
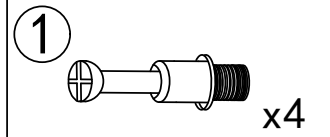
Step 14



# Step 15



# Step 16

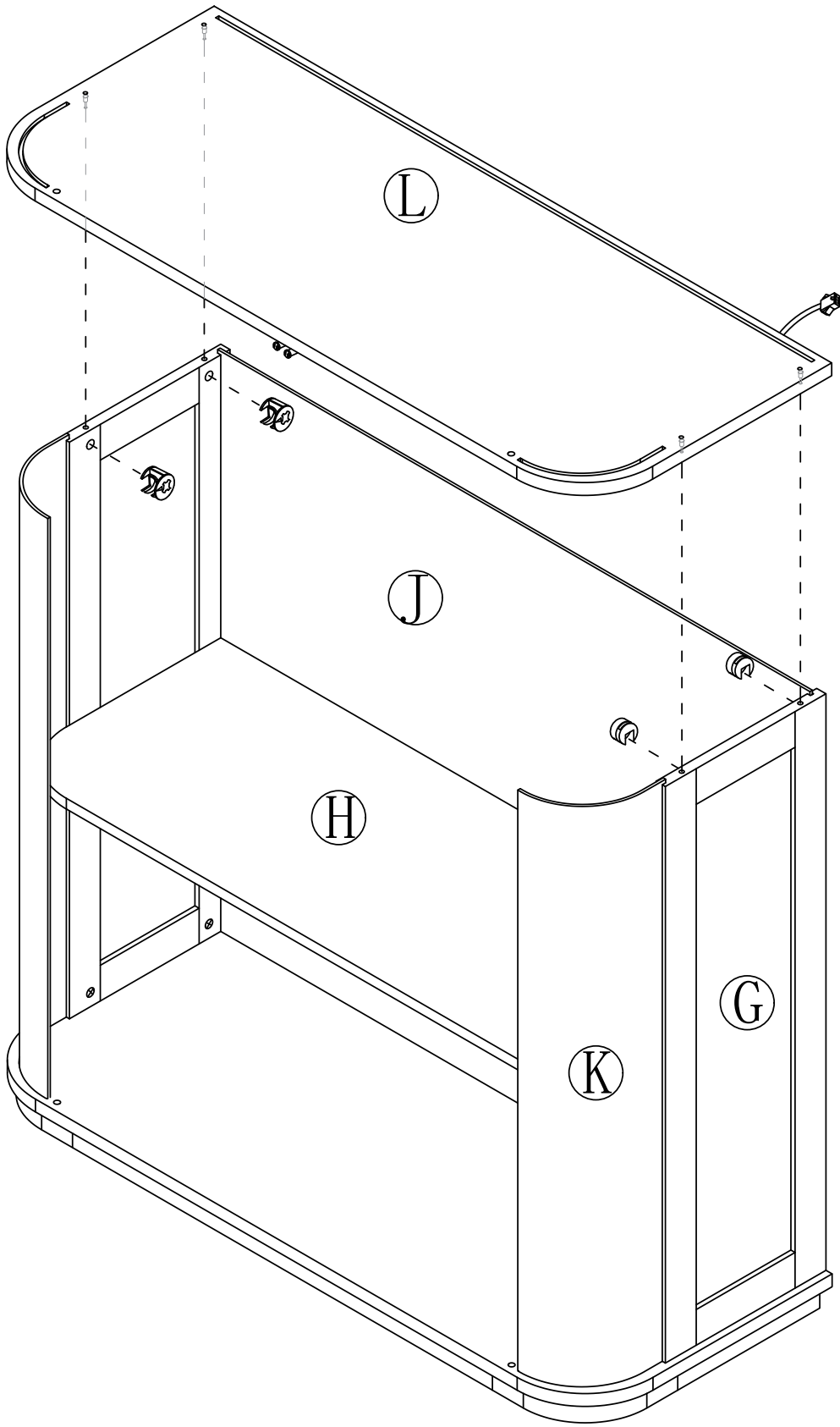


Step 17

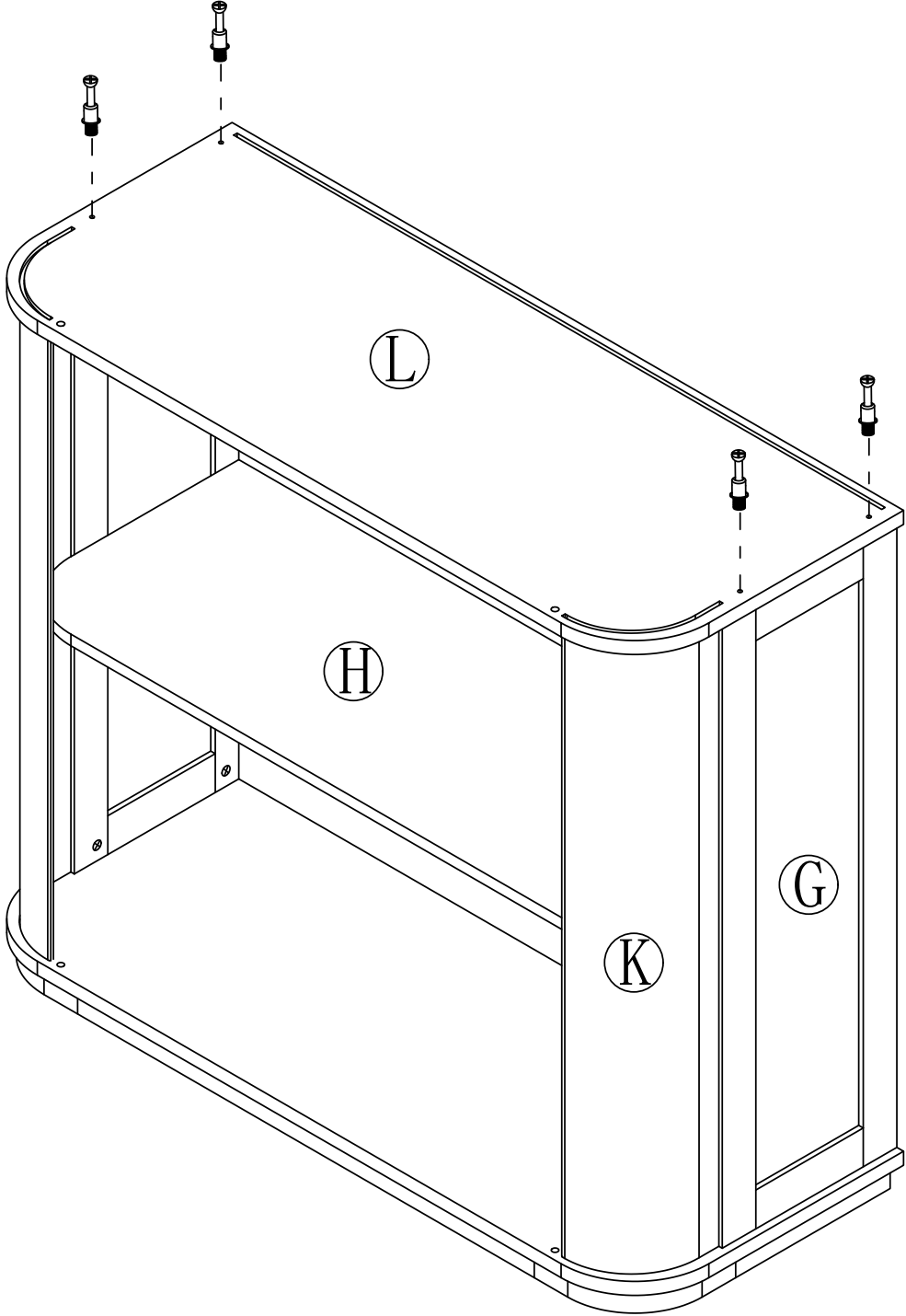
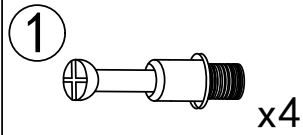
2



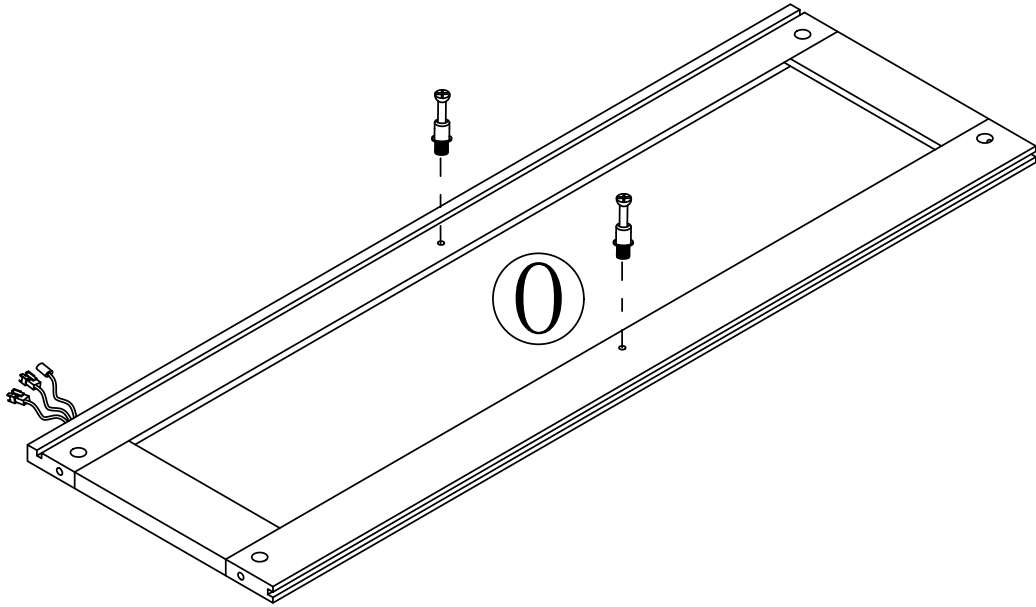
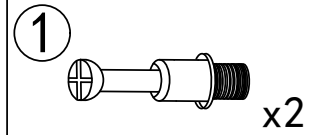
x4



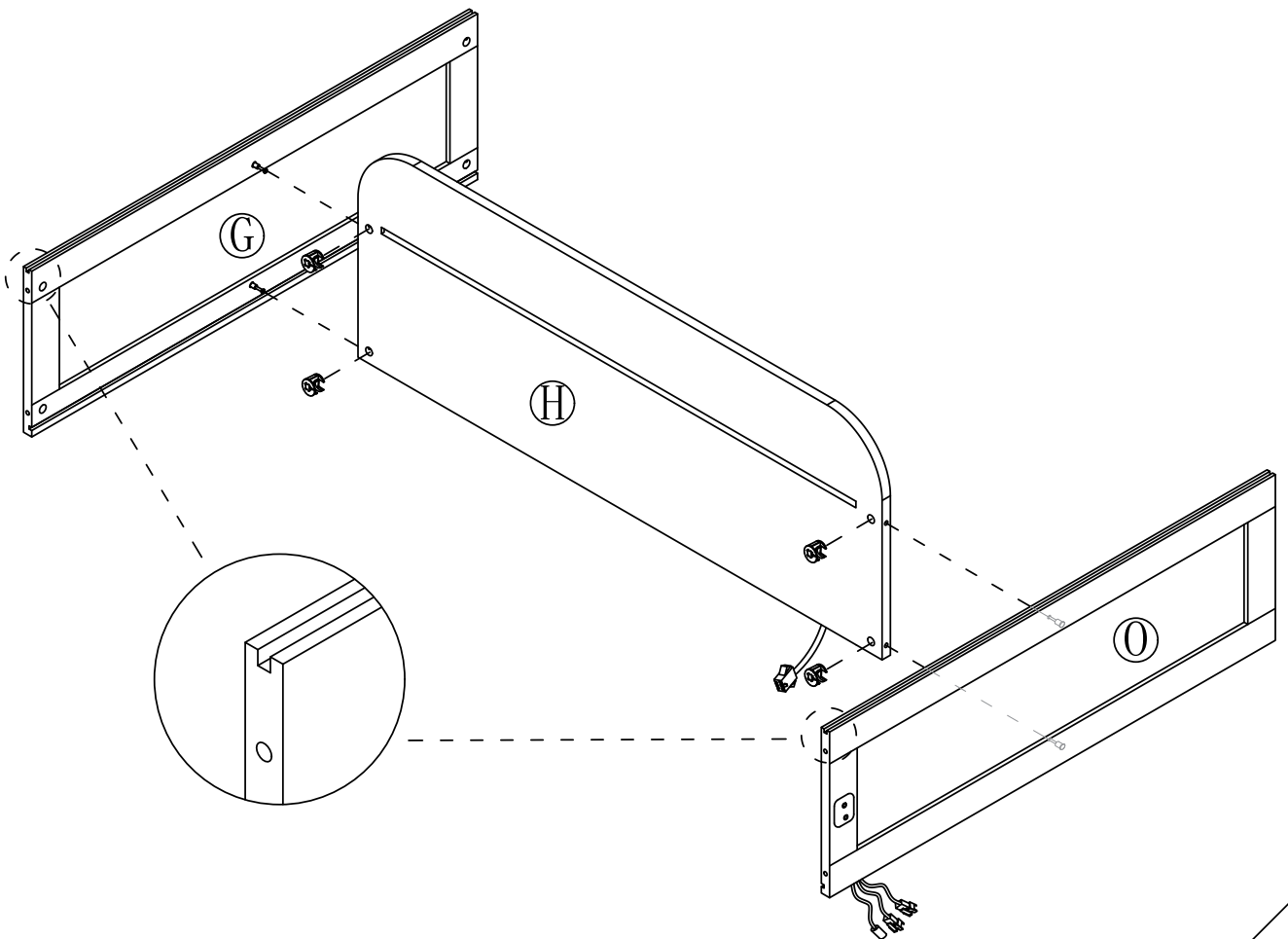
Step 18



# Step 19

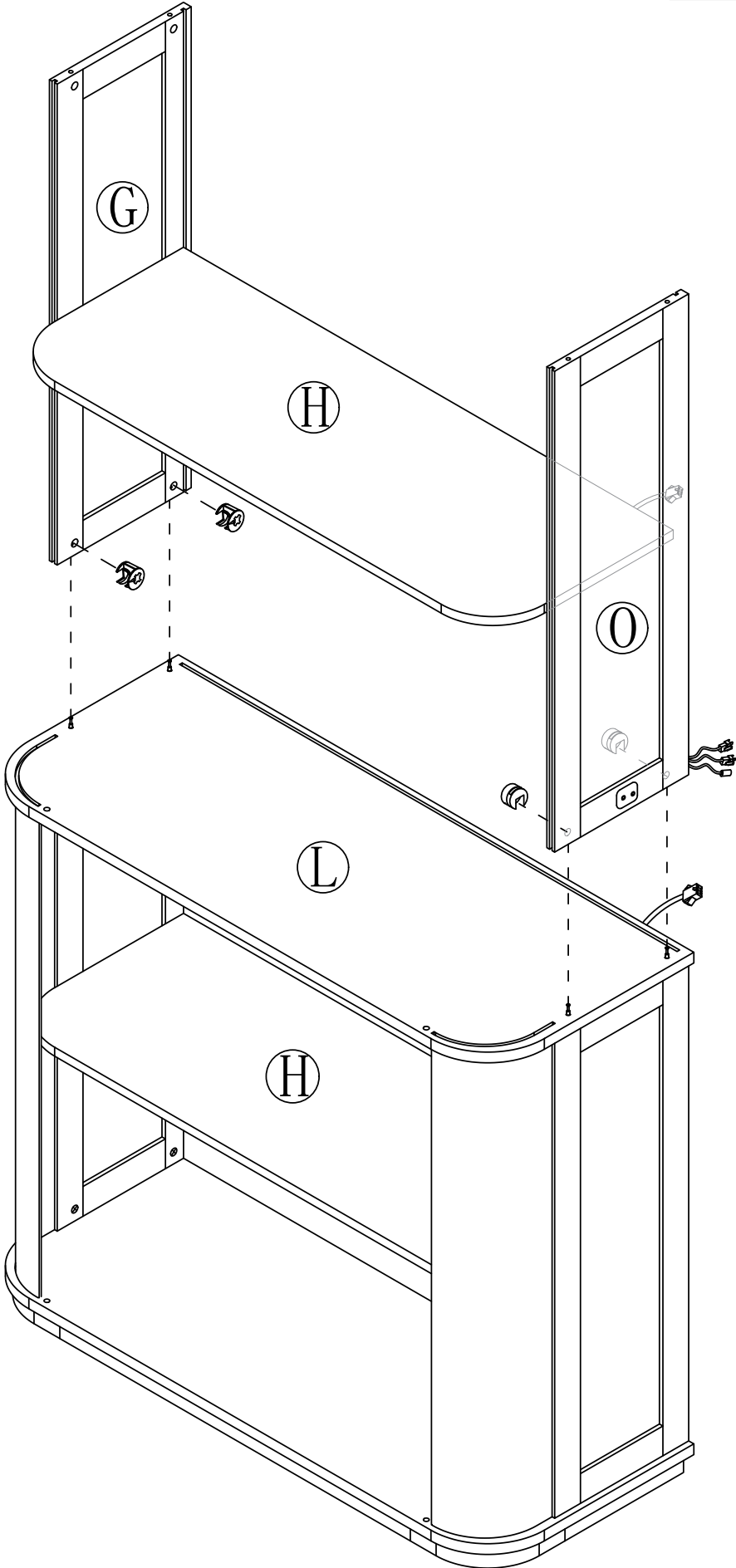


# Step 20

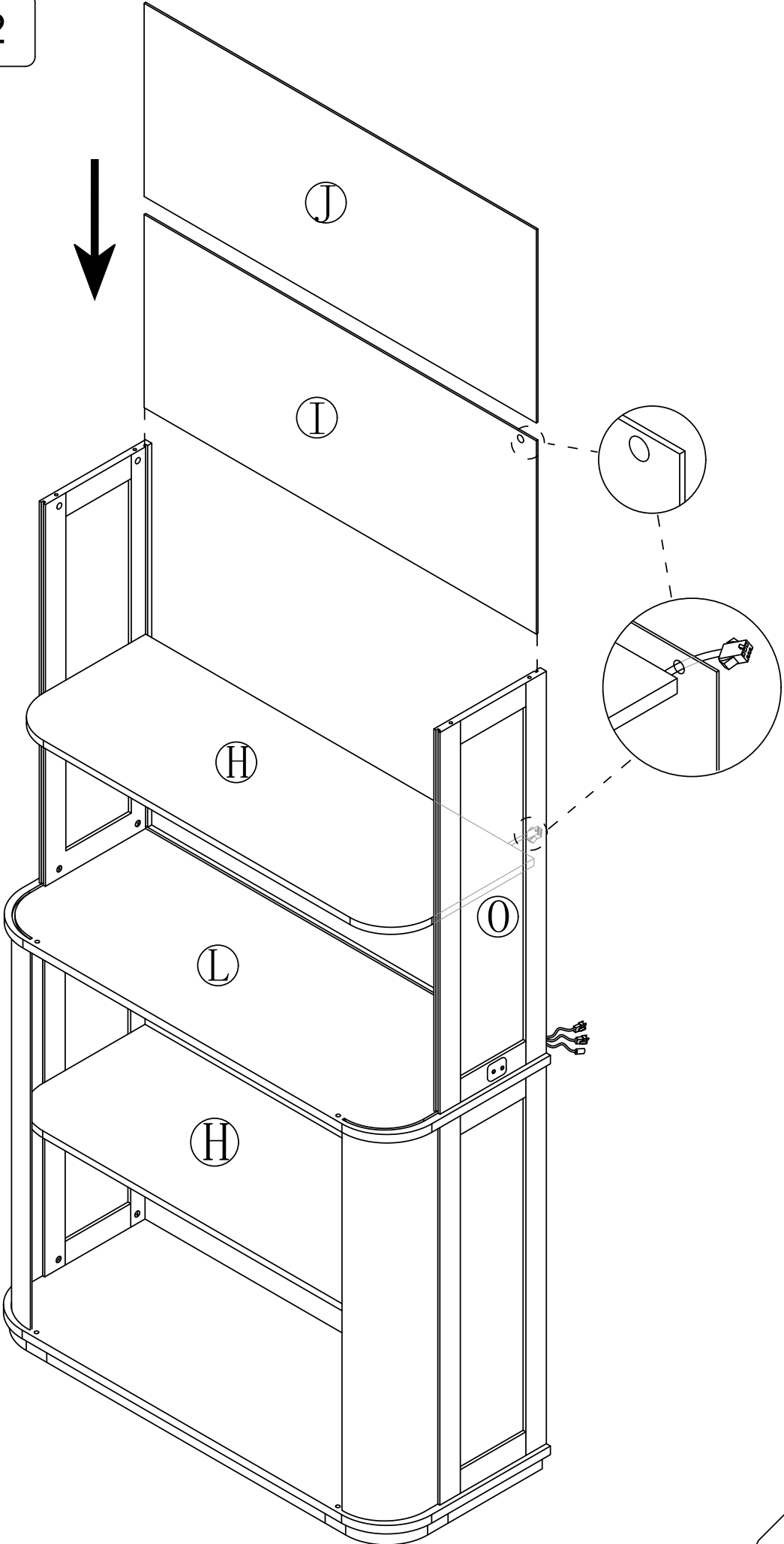


Step 21

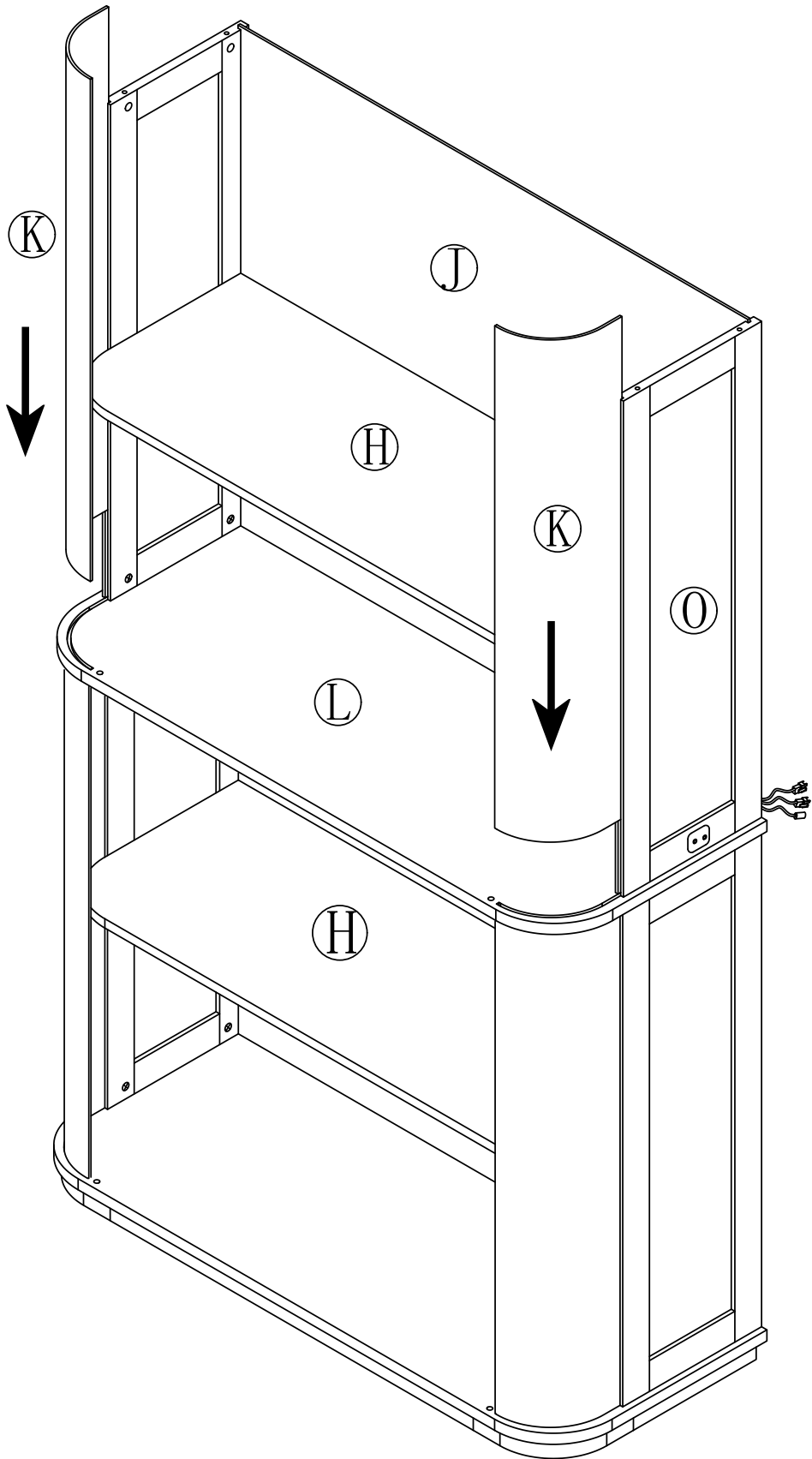
②  x4



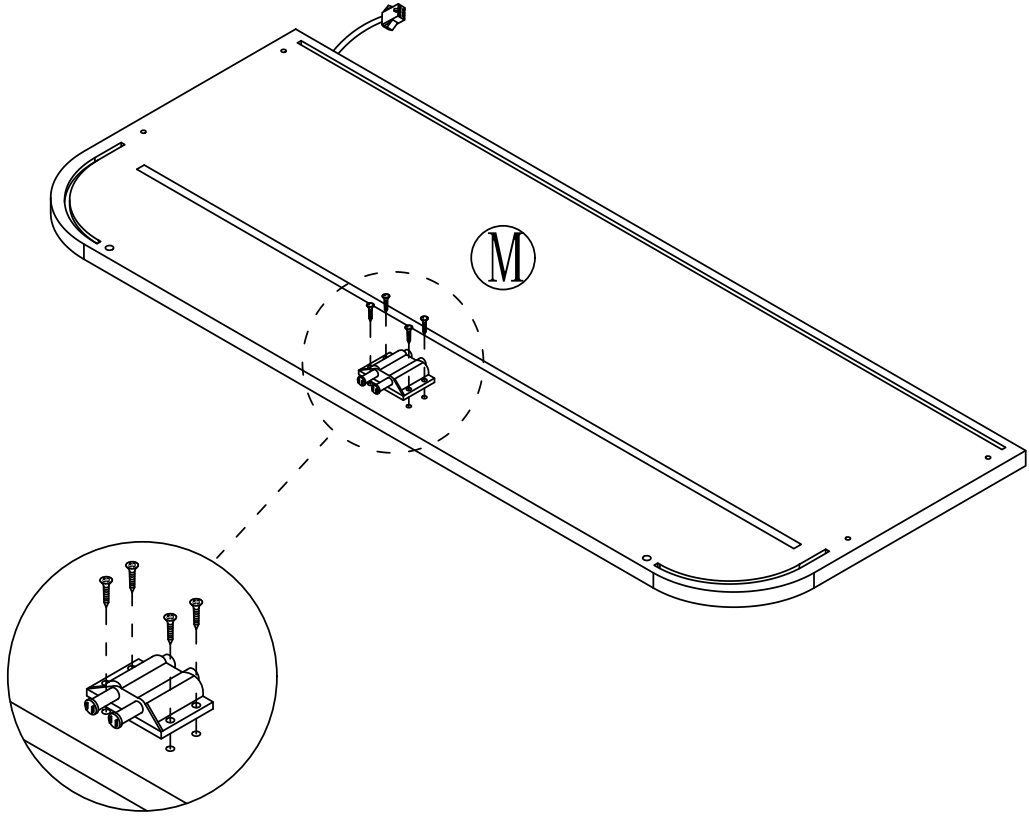
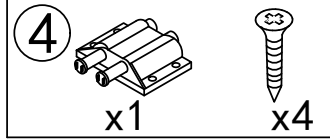
Step 22



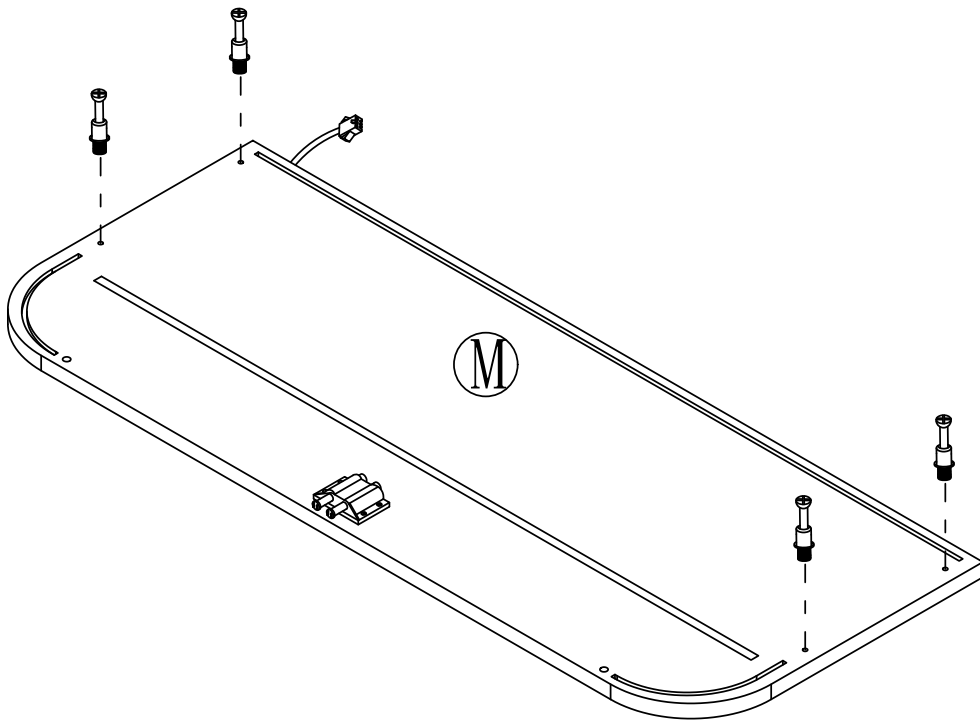
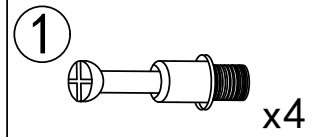
Step 23



# Step 24



# Step 25

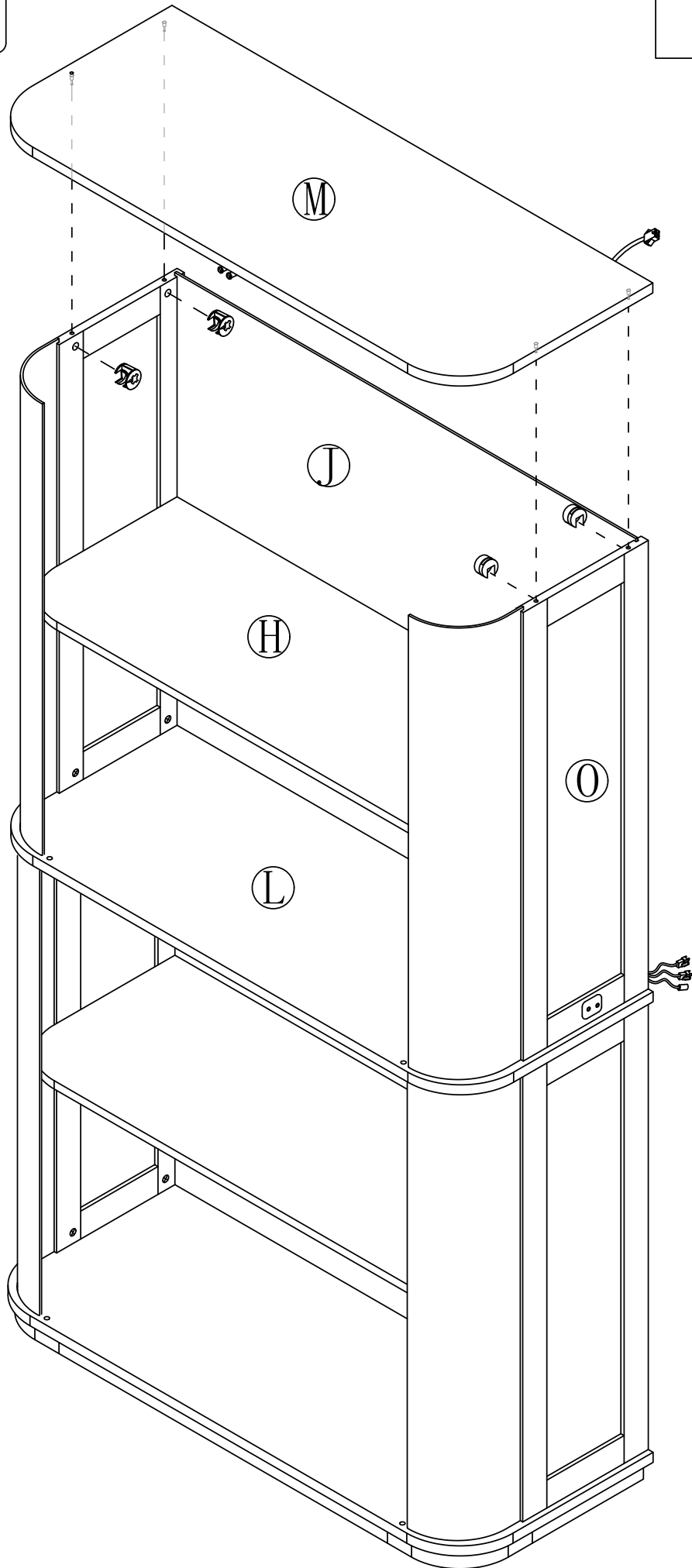


Step 26


2

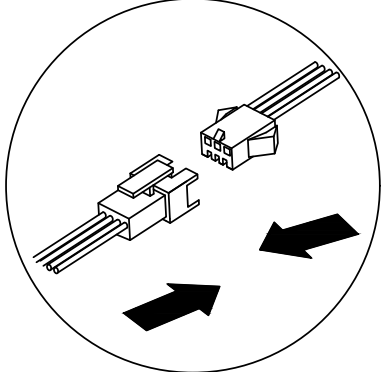
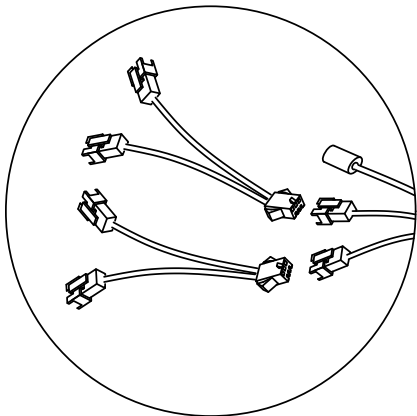
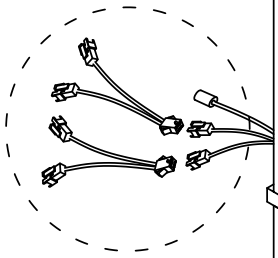
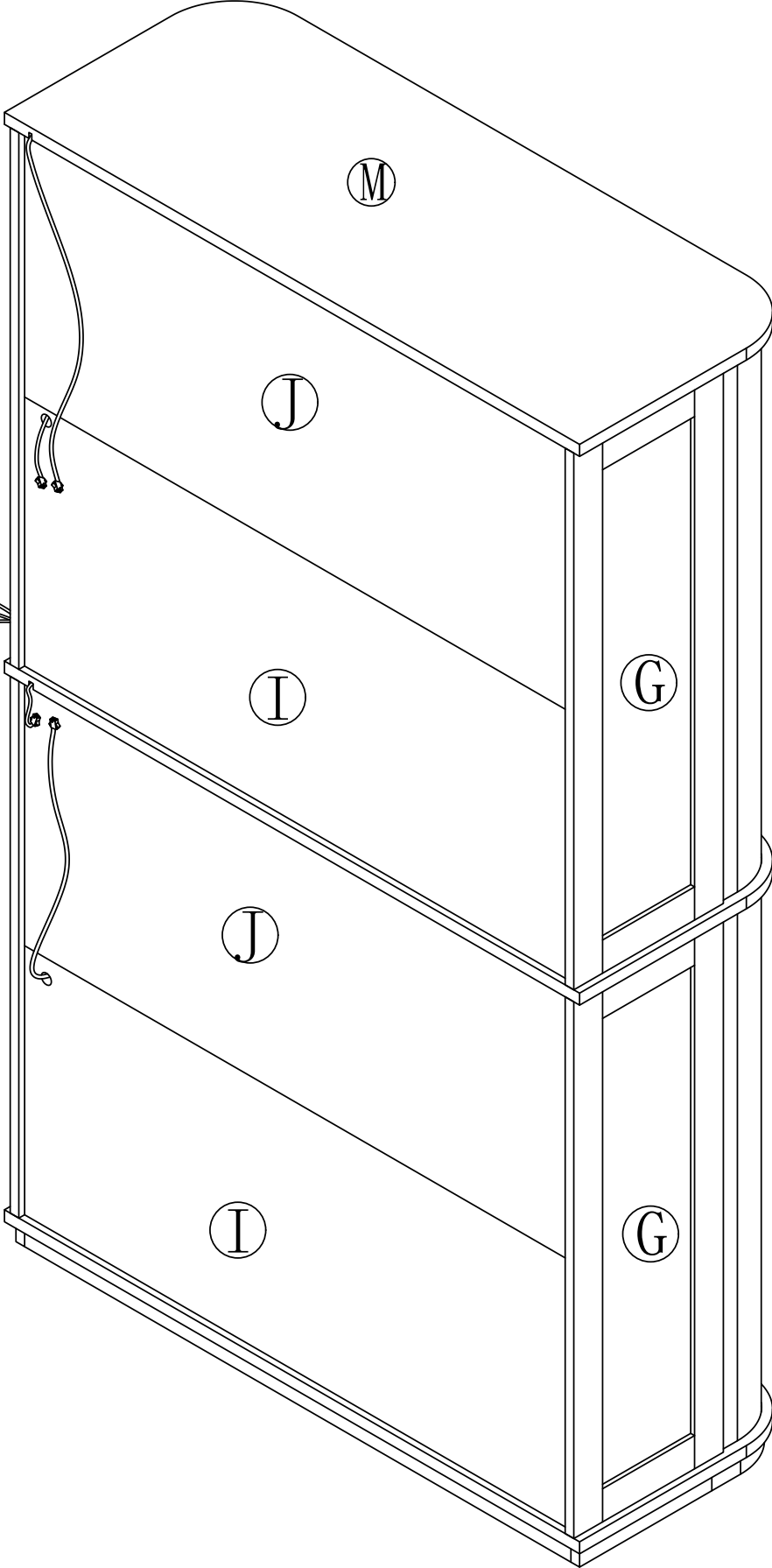


x4

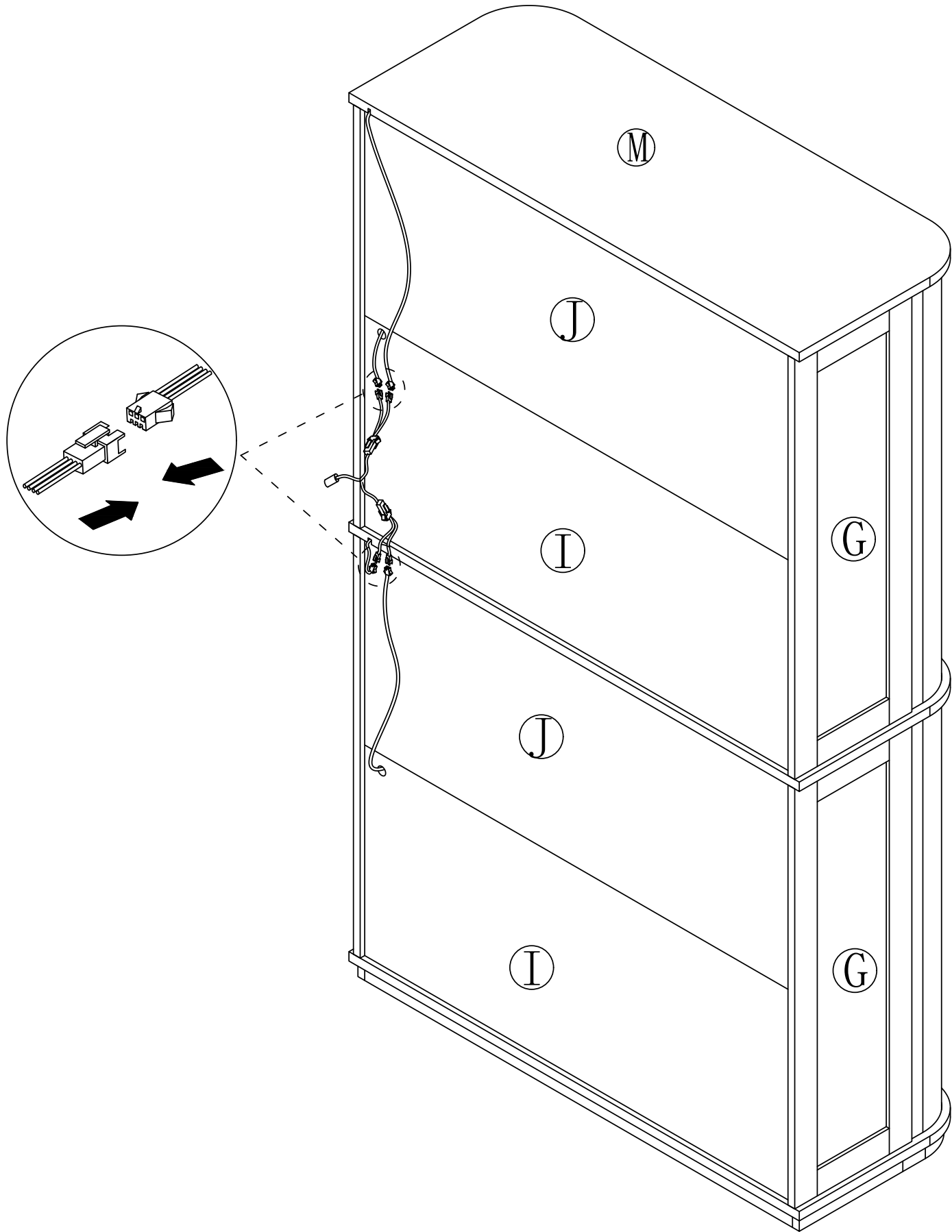


Step 27

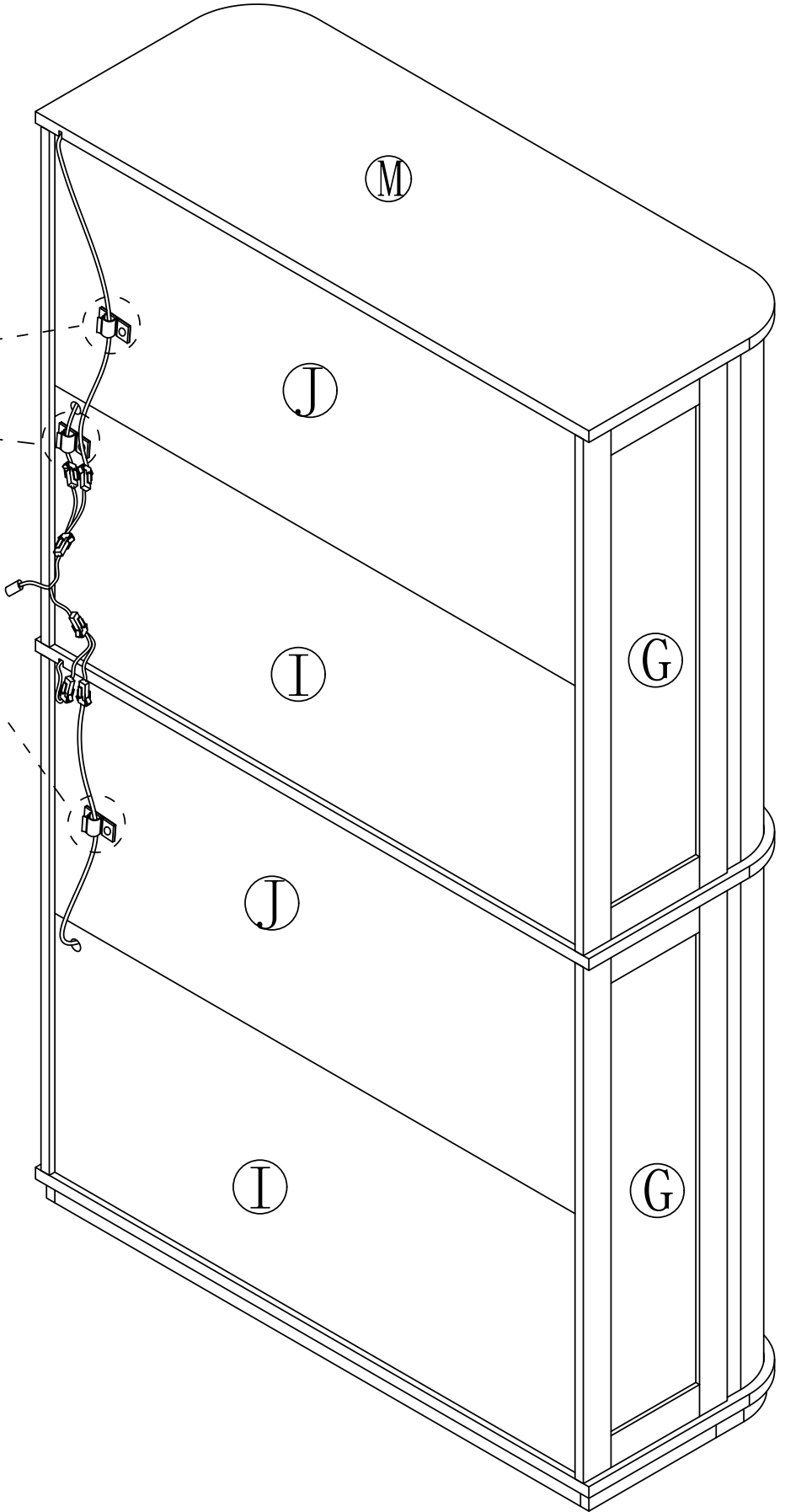
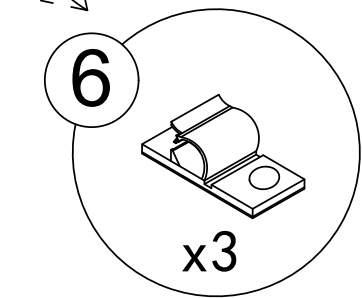
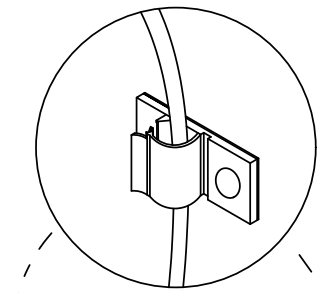
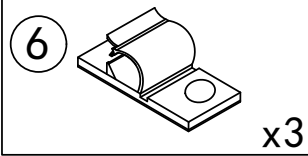
⑤  x2



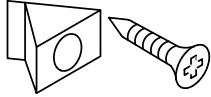
Step 28

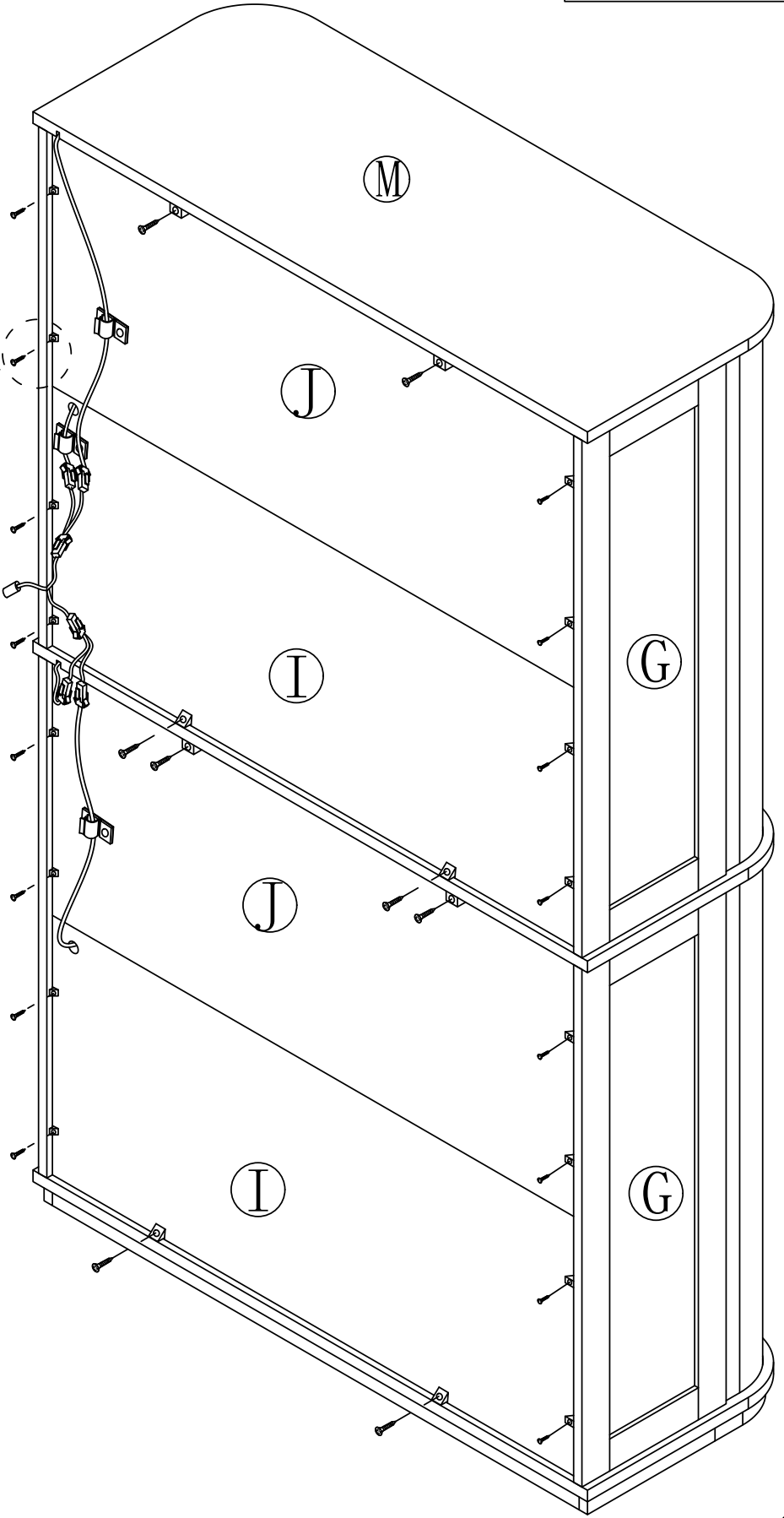
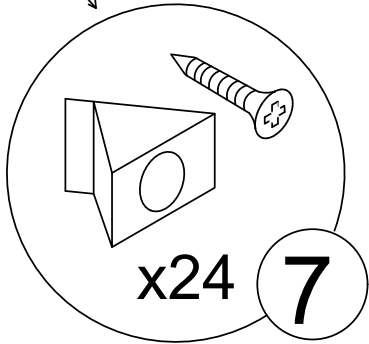
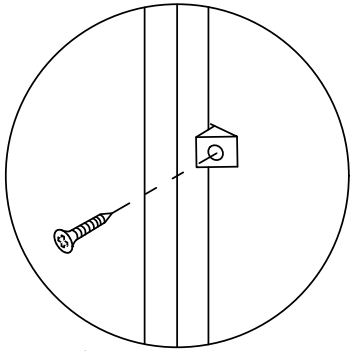


Step 29

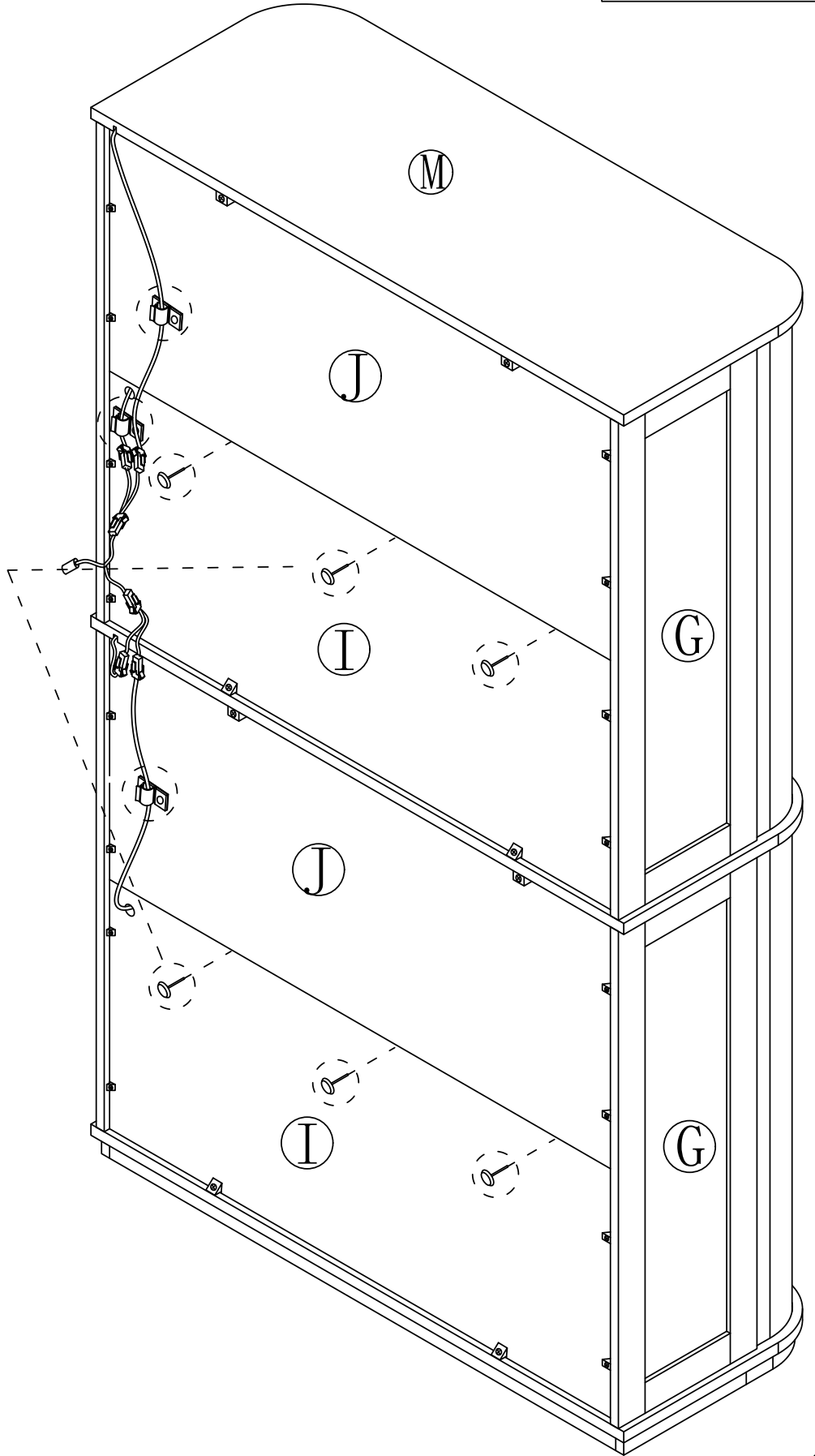
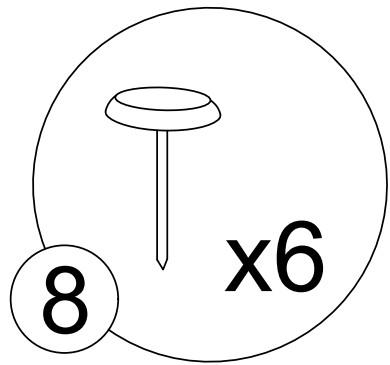
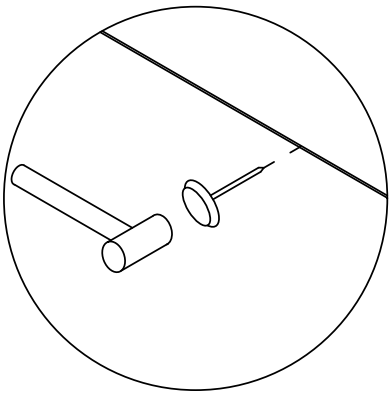
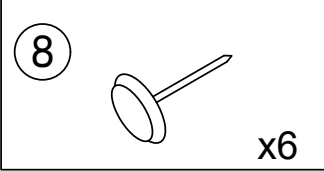


Step 30

7  x24

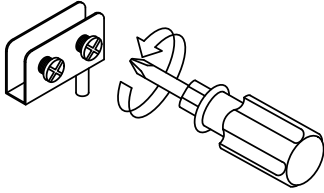


Step 31

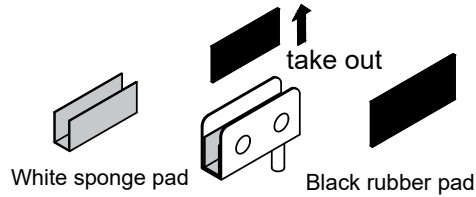


## Step 32

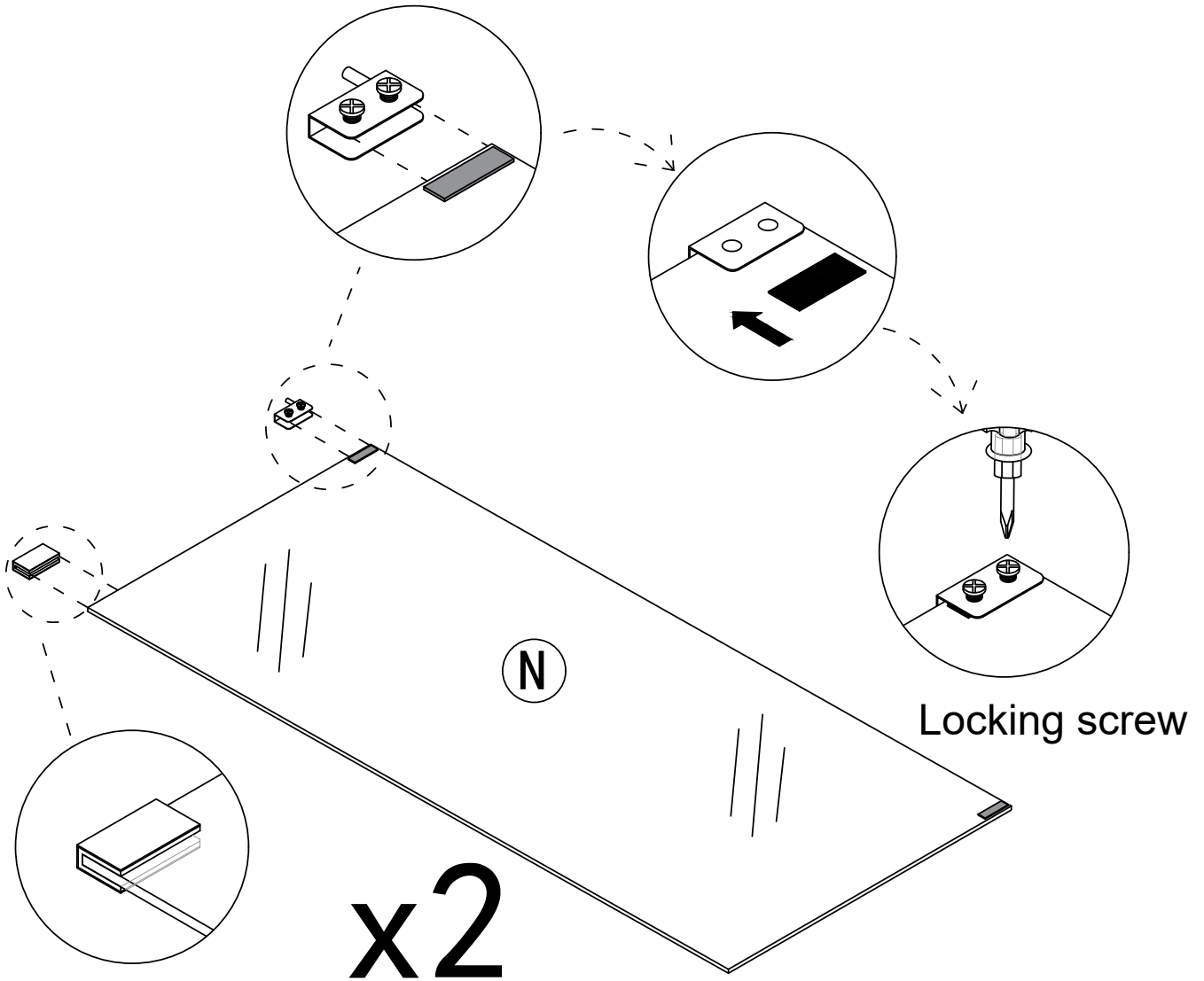
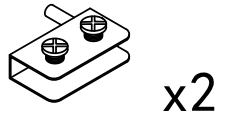
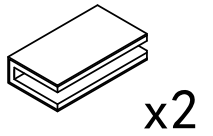
First, completely unscrew the screws on the parts



Then take out the black rubber pad from the inside of the part, and the white sponge remains unchanged inside the part.



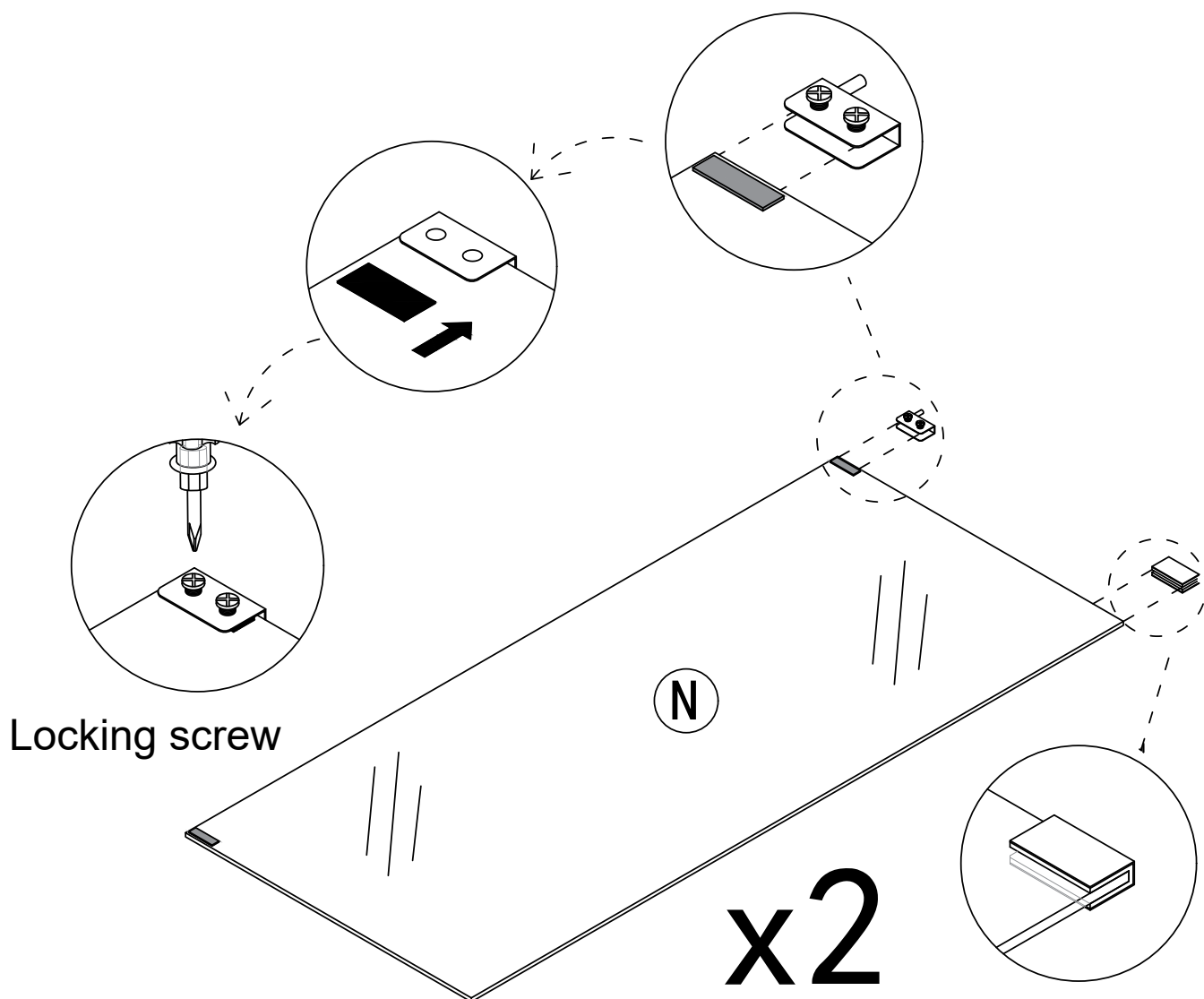
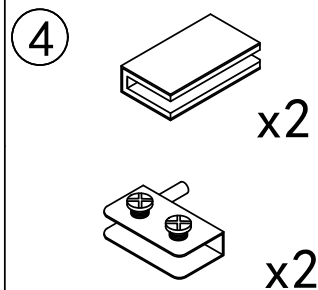
4



Pay attention to the direction of the door hinge, rotate the screws to compress the black gasket, and do not place it in the opposite direction

Place the black gasket on the side where the screws are installed

# Step 33

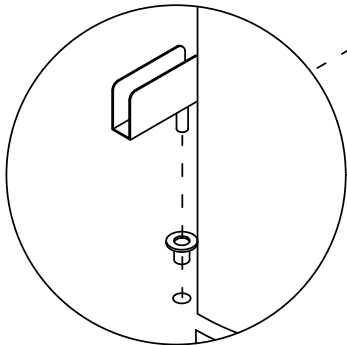
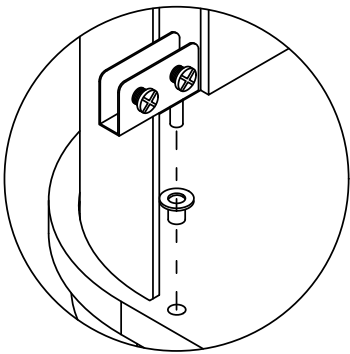
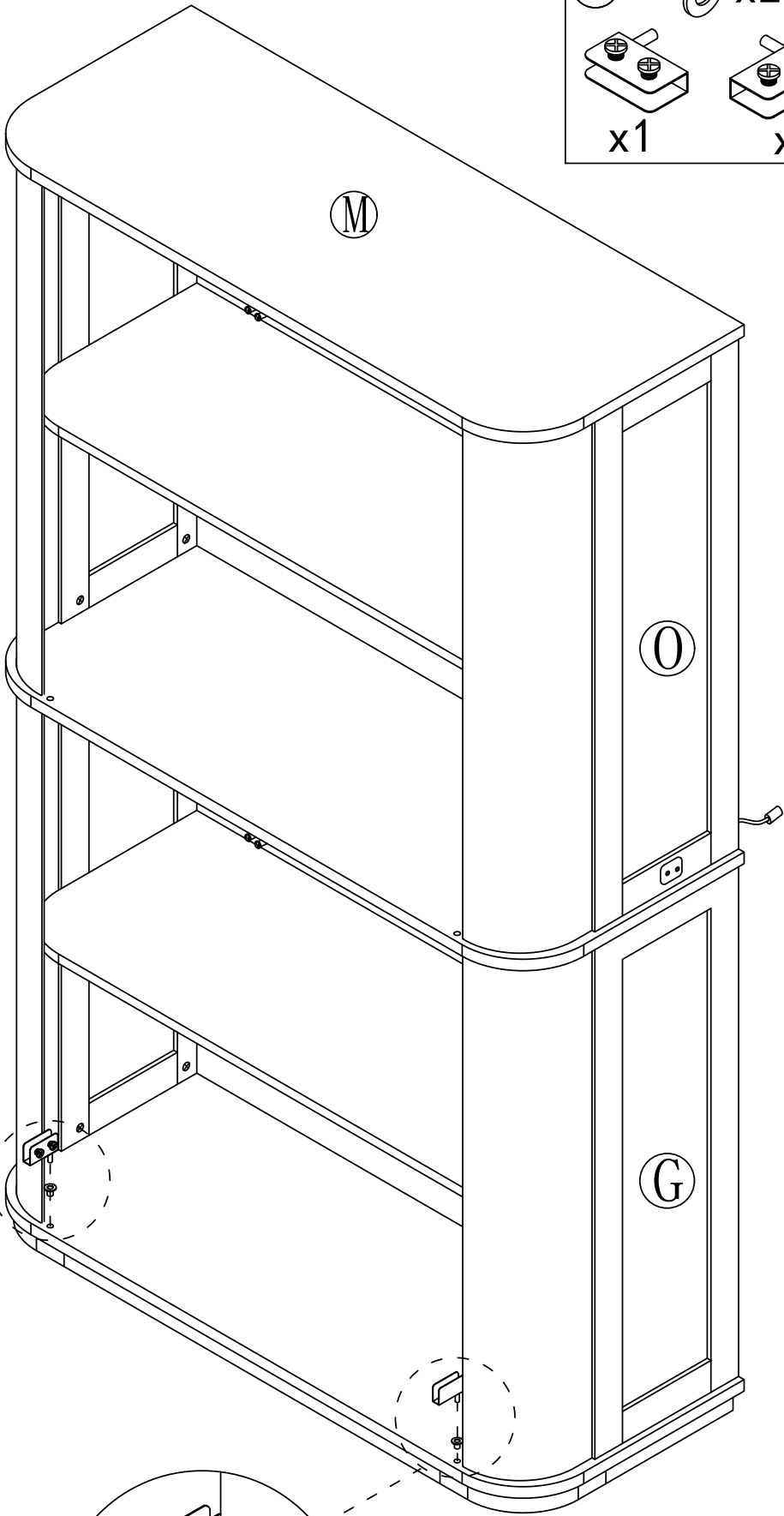


Pay attention to the direction of the door hinge, rotate the screws to compress the black gasket, and do not place it in the opposite direction

Place the black gasket on the side where the screws are installed

Step 34

- ④
- x2
- x1
- x1



## Step 35

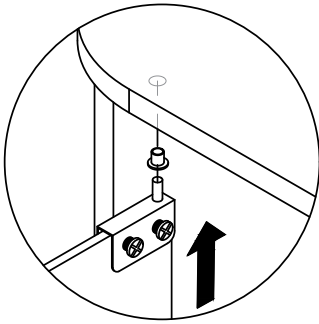
Pay attention to the direction of the door hinge during installation

4

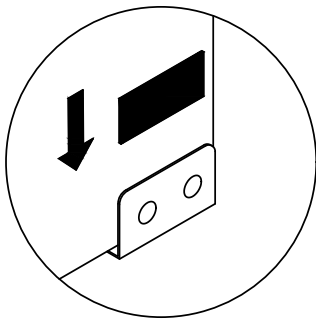


x2

When installing a glass door, it is recommended to have two people install it to avoid the glass door colliding or hitting oneself.

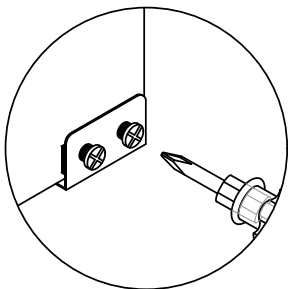


first



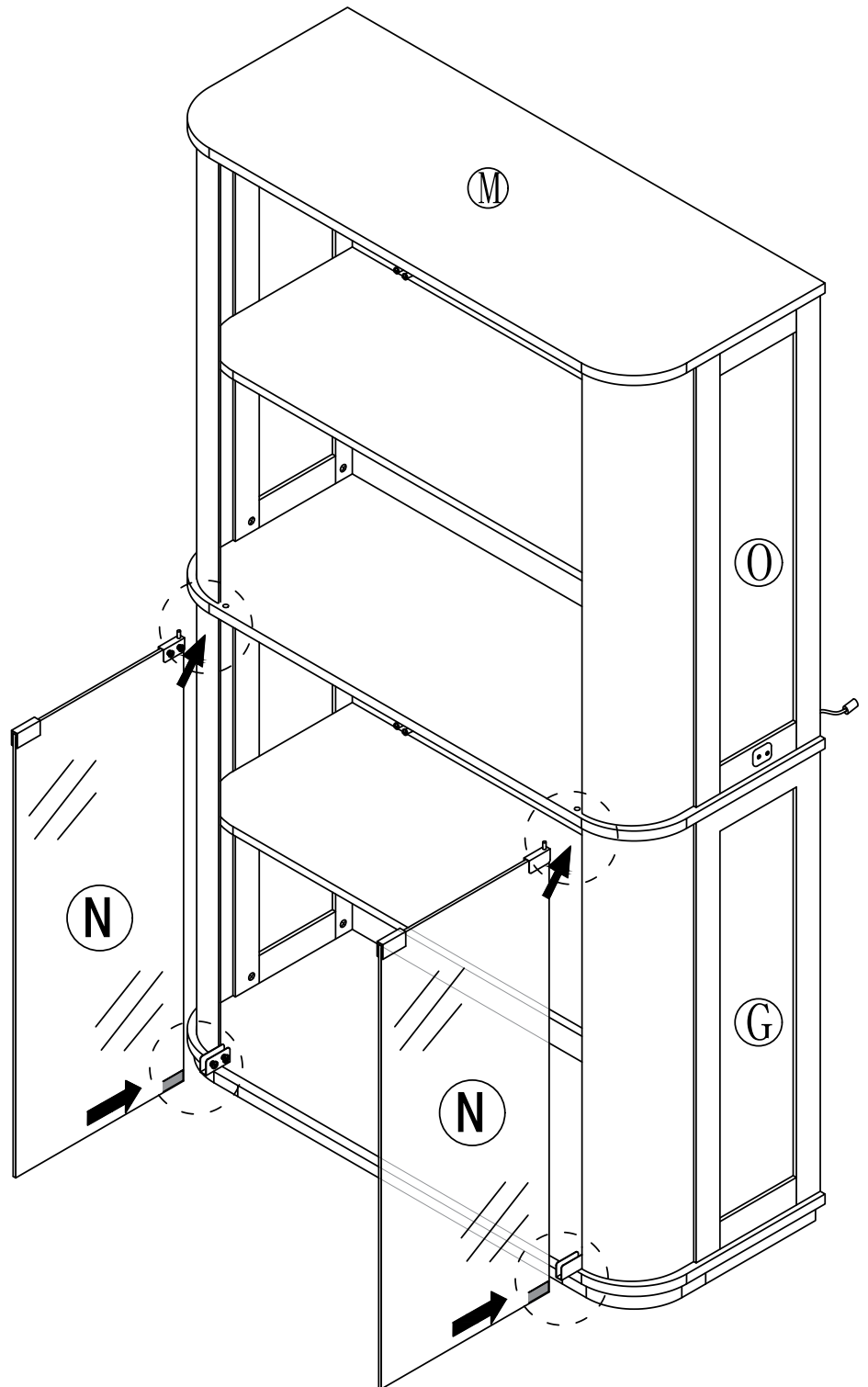
second

After installing the glass door, place the black gasket on the side where the screws are installed



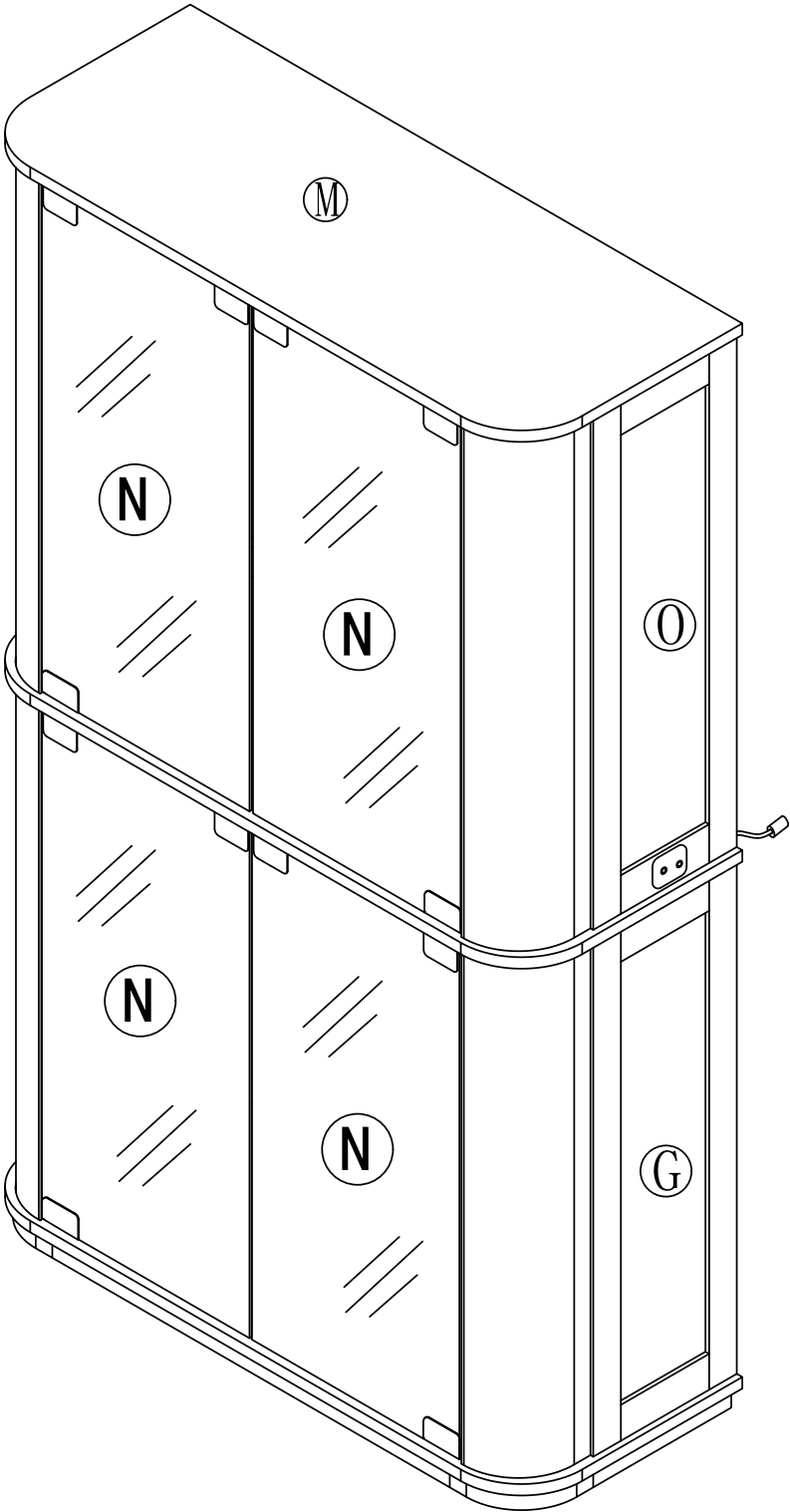
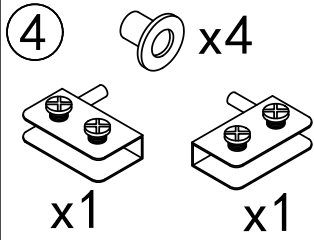
third

Locking screw



30

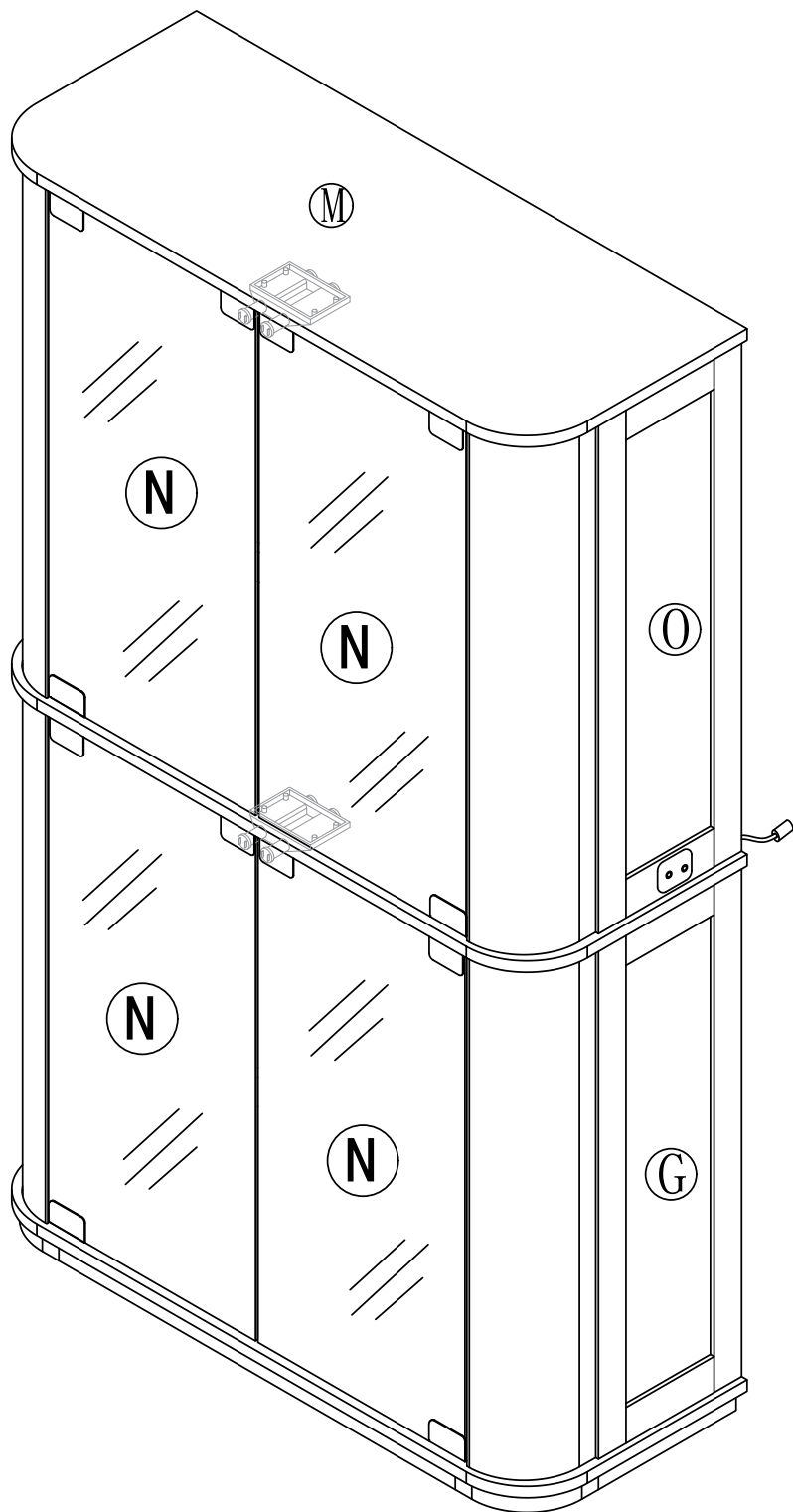
Step 36



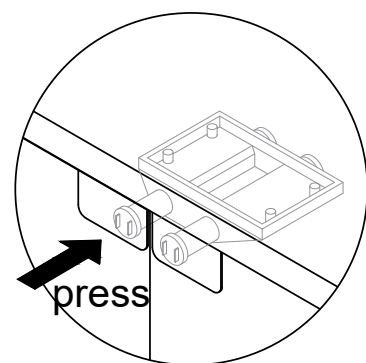
Repeat the door installation steps.

Step 37

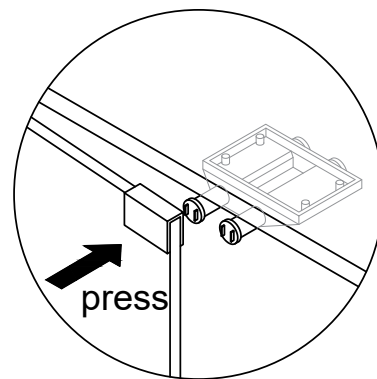
The rebound device automatically opens and closes by pressing



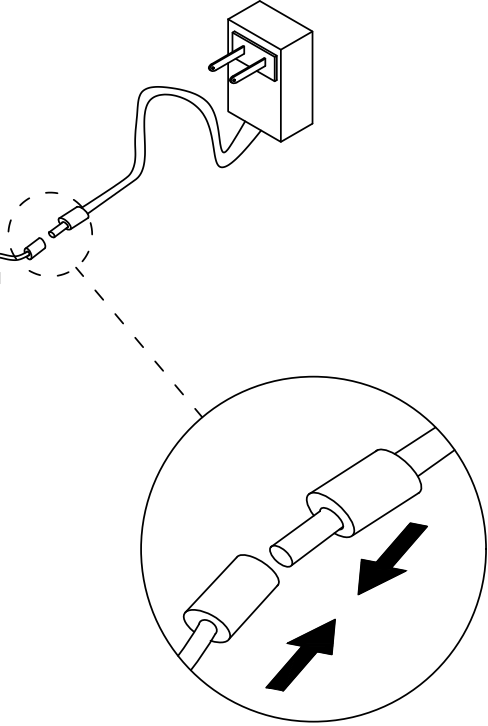
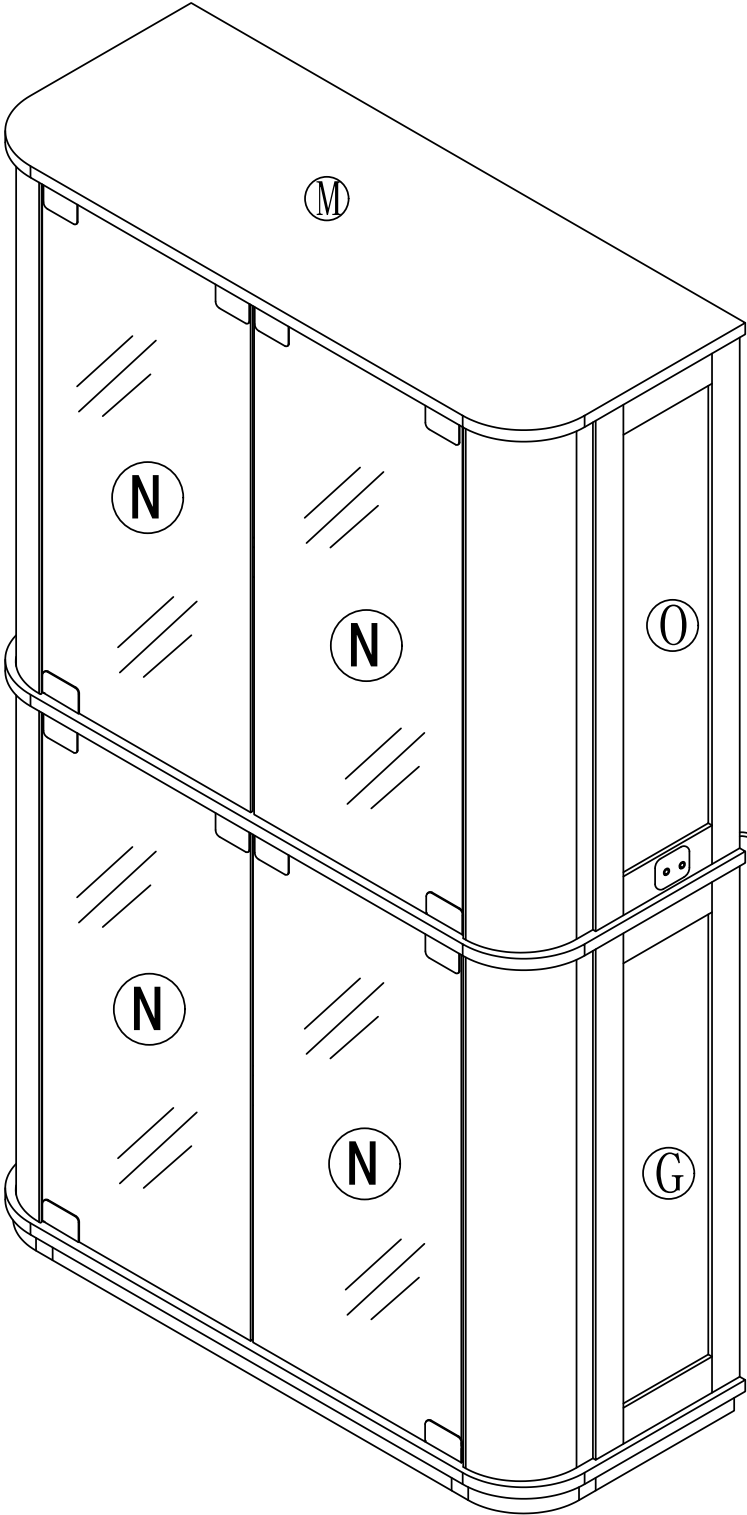
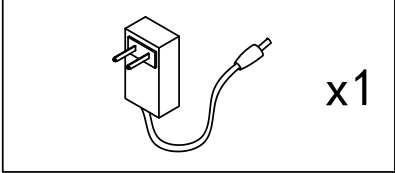
Open the glass door



Close the glass door

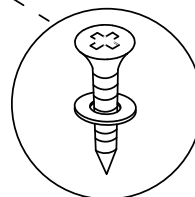
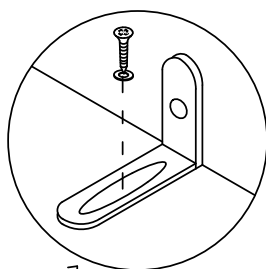
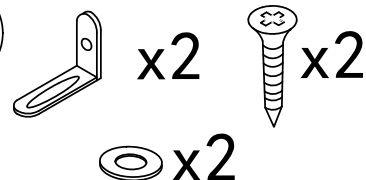


Step 38



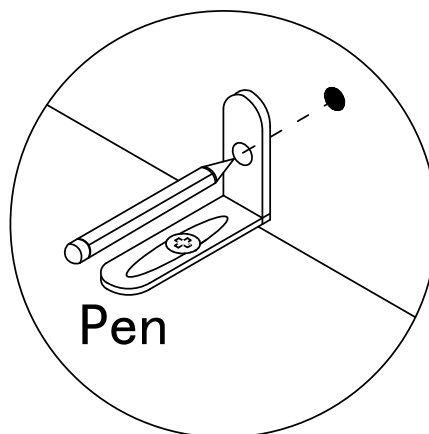
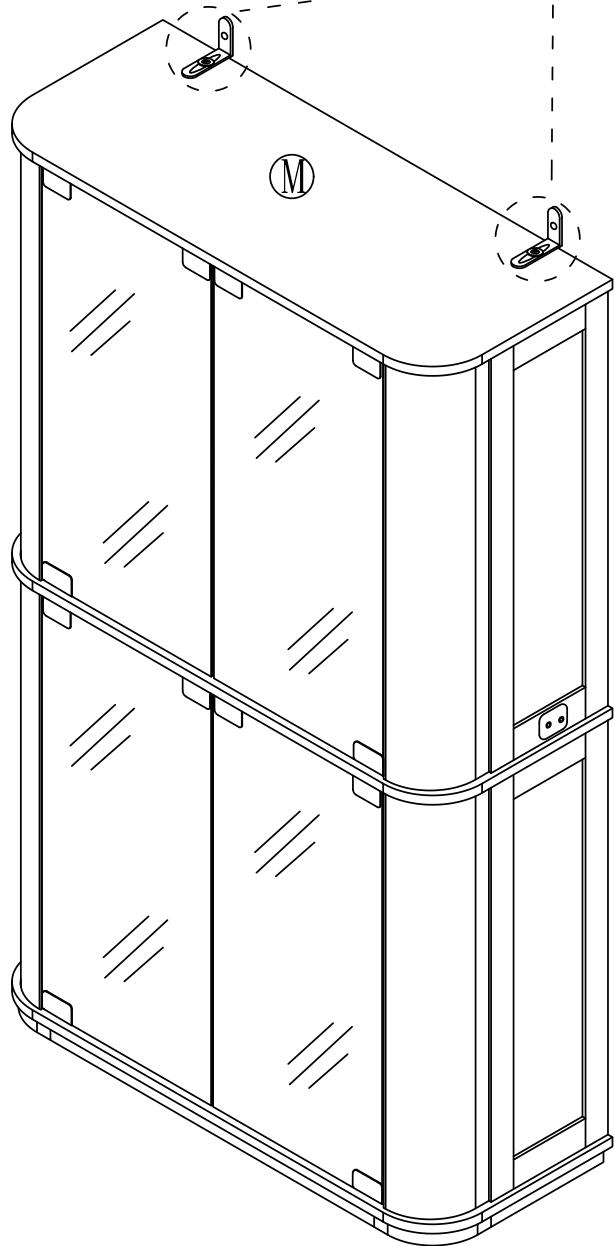
Step 39

9



3.5x14mm


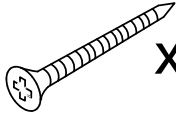

Install the anti fall hardware on the cabinet as shown in the picture first



Pen

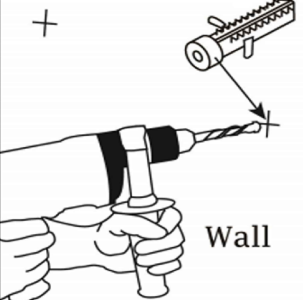
Then mark the wall with a pen through the holes in the anti-fall hardware

# Step 40

- 9  x2
-  x2  x2

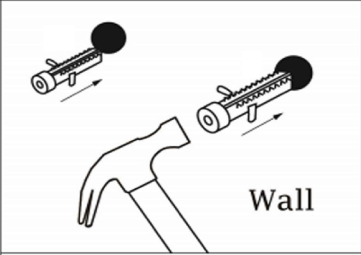
**Wall Mount**

+

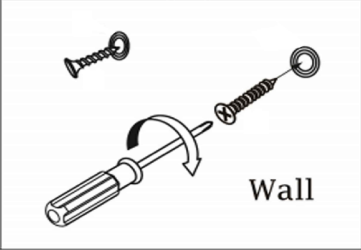


Wall

Drill the hole after measuring and marking position.

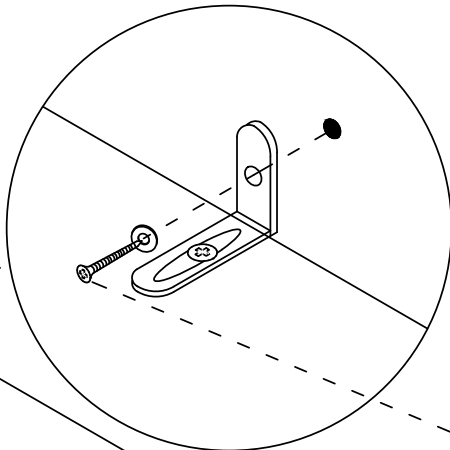


Wall

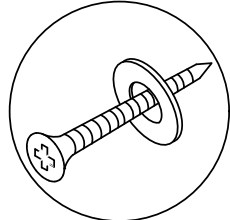


Wall

Drill the hole with an electric drill and punch in the colloidal particles

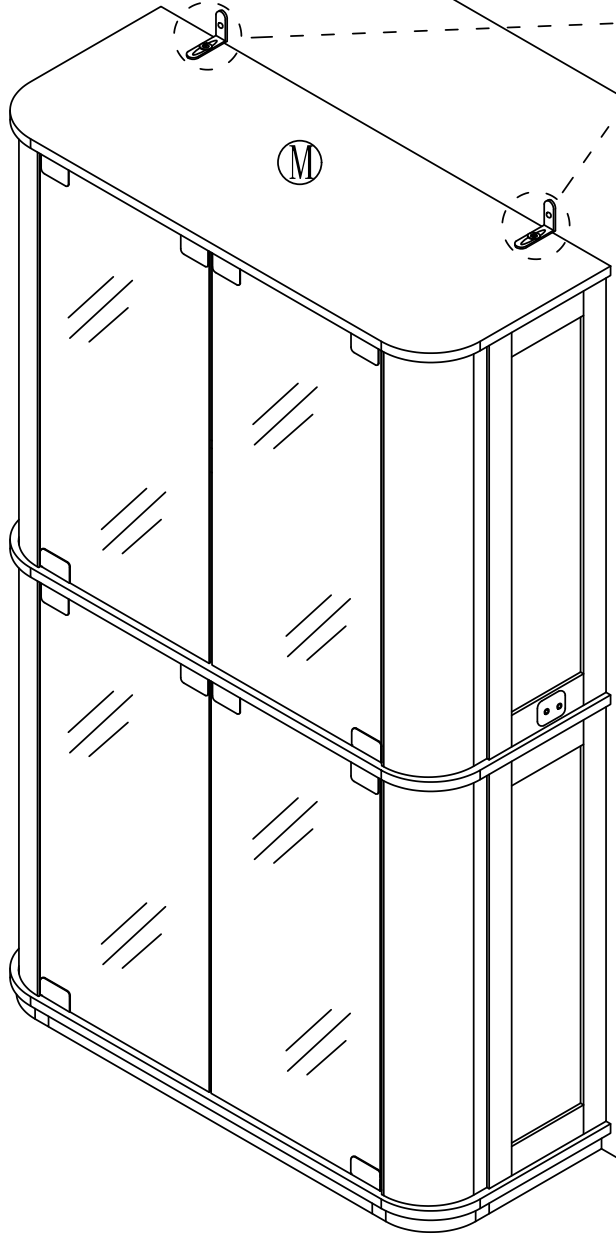


4x45mm



wall

Fasten the cabinet to the wall



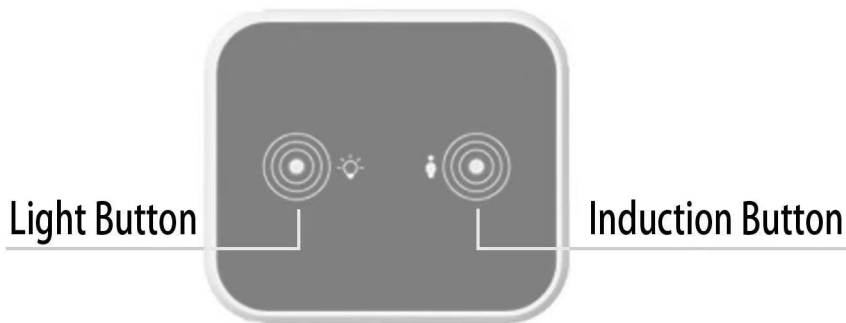
# User's Guide

Thank you for purchasing this product. To use this product, please plug it into a 12V DC power supply. Please use if the product works normally after connecting to power.

## Introduction

The box is an intelligent controller with 2 touch buttons. It can turn ON/OFF the light, change light colors, and adjust the light luminance.

## Product Show



### ATTENTION PLEASE

1. If there is no touch response suddenly, Re-plug the power to reset the touch static electricity.
2. If bubbles appear on the panel, remove the protective film.

## Operation



This touch button is used to turn on/off, change colors, and adjust brightness.

- A. Short touch -> lighting on -> short touch -> change light color -> short touch -> change light color -> short touch -> lighting off. B. Long touch -> adjust the luminance



This touch button is used to turn on/off the induction function.

- A. Short touch to turn on the induction function. It can auto-turn on the light when people are close to the controller in 1 meters. It can auto power off the light when the body is far away from the controller after 30 seconds.
- B. Long touch to turn off the induction function.
- C. Note: When you touch the light button to change the light modes, the induction function will automatically turn off. It is best to turn on this function after selecting the light color and adjusting the brightness you want.