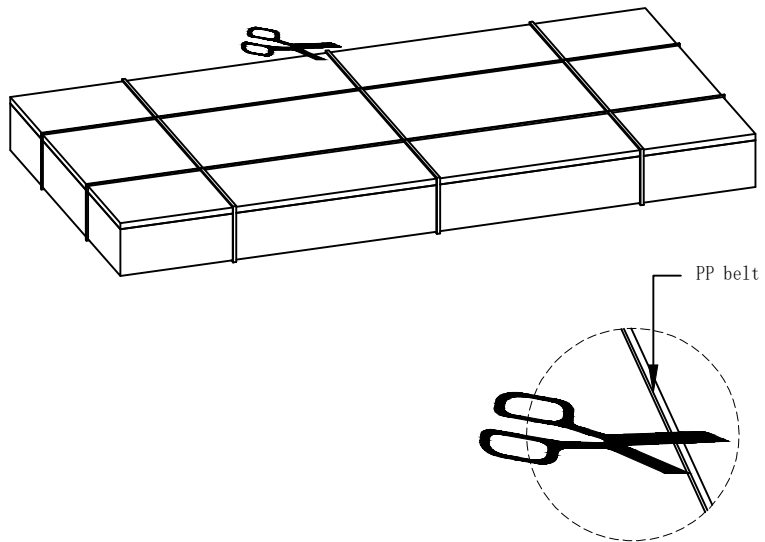
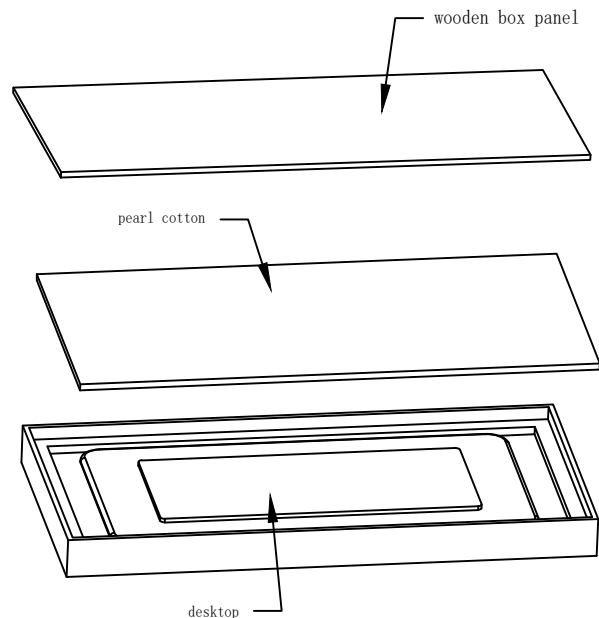


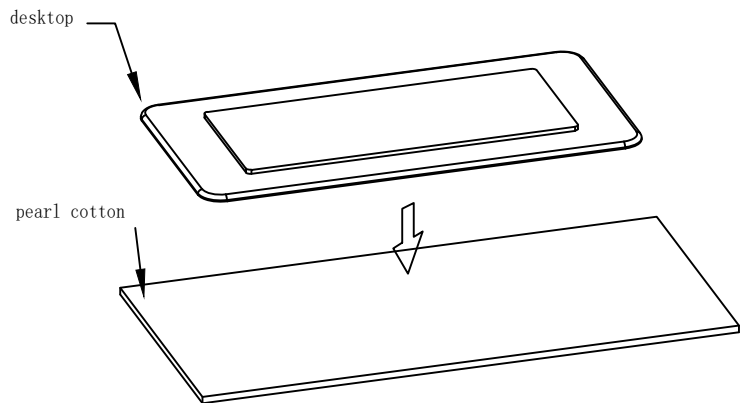
1. Unwind the PP belt with the scissors.



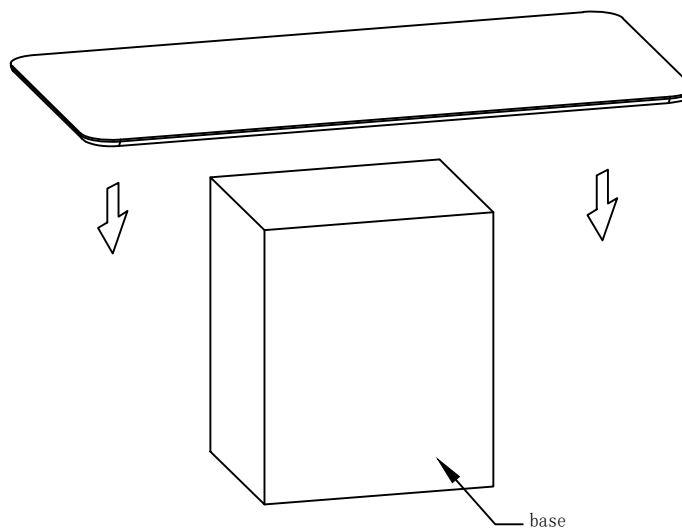
2. Take out the wooden box panel, remove the pearl cotton, and place it aside.



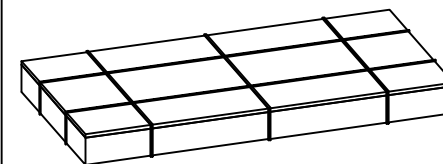
3. Place the desktop on the removed pearl cotton place (avoid collision and damage to the desktop).



4. Four people need to place the dining table above the dining table base before installation.



## Table unpacking instructions



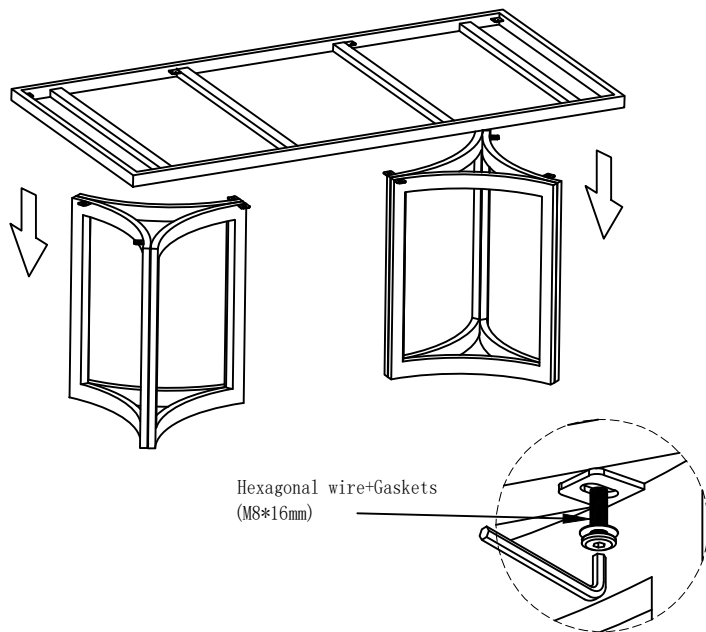
Number of people needed:4

- ① Please read the manual carefully before installing this product. And strictly follow the installation process
- ② Please take good care of this manual for your next installation

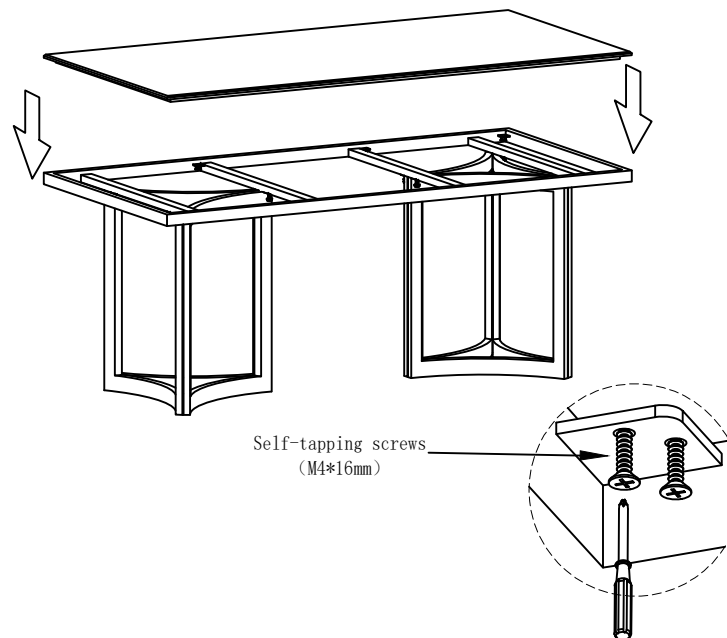
### Parts list

Serial number	Shape	Name	Quantity

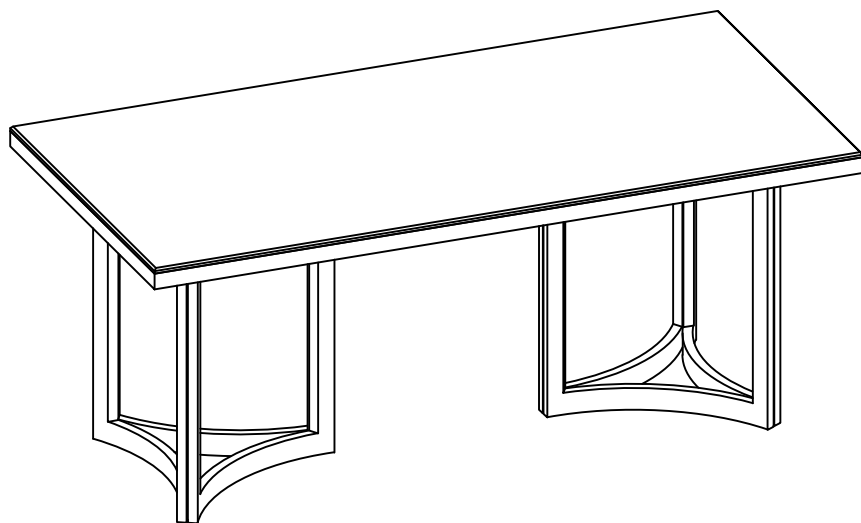
1. Place the support frame above the table legs. Put the Hexagonal machine wire in the hole and tighten it with a wrench.



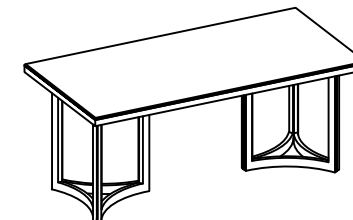
2. Place the desktop above the support frame, put the self-tapping screws in the ear piece position, and tighten the screws with a screwdriver.



3. Installation finished.



## Installation instruction






### Installation

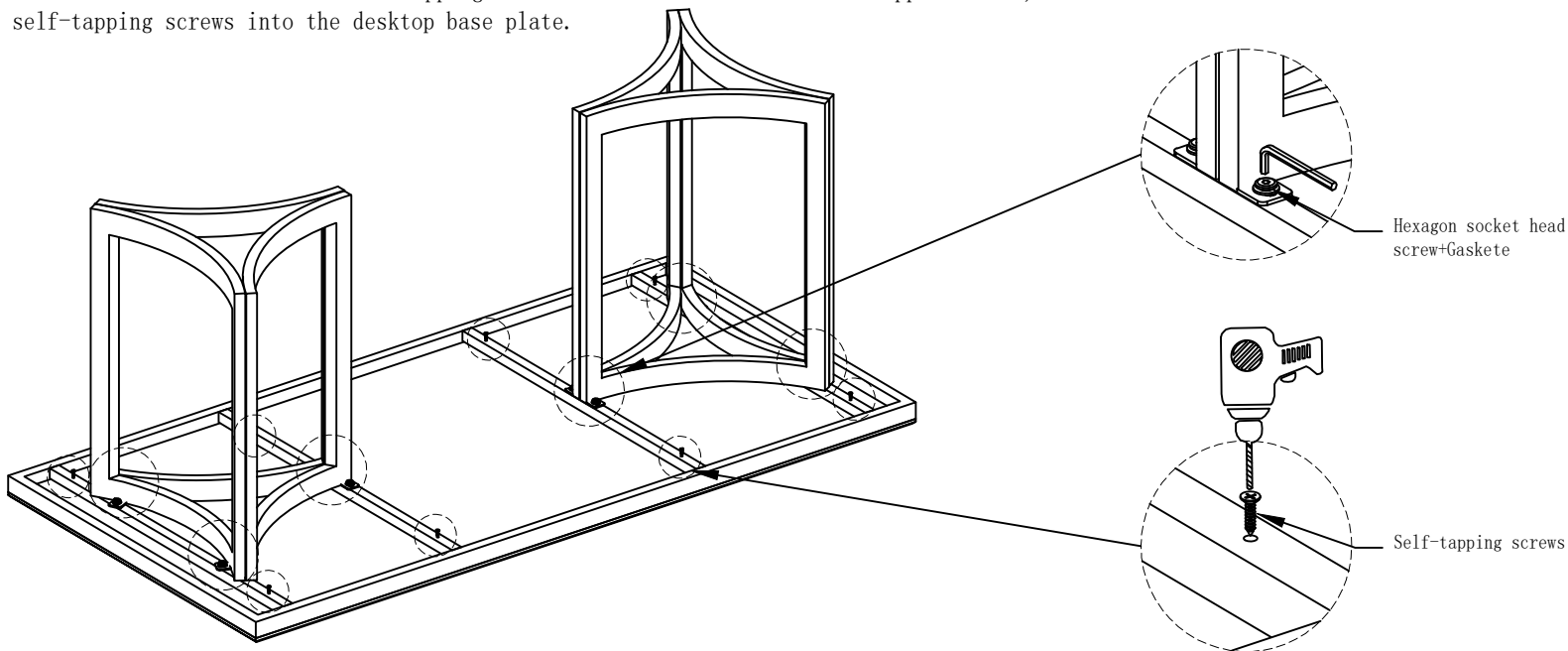
The number of people needed for installation: 2

- ① Please read the manual carefully before installing this product. And strictly follow the installation process
- ② Please take good care of this manual for your next installation
- ③ Note: Before installation, screw all the screws to 1/2 of the length of the installation. After all screws are half screwed in, tighten them all together.

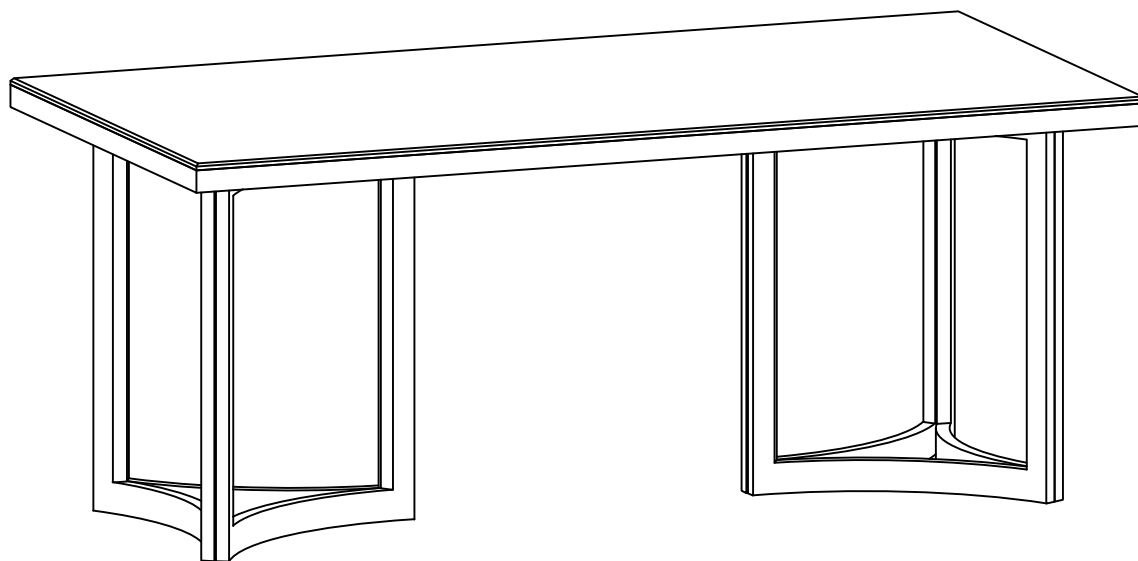
### Parts list

Serial number	Shape	Name	Quantity
A		Hexagonal wire (M8*16mm)	8
B		Self-tapping screws (M4*16mm)	16
C		Gaskets	8

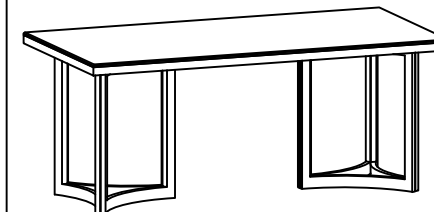
1. Place the table leg on the support frame, align the holes and put in the hexagonal screws and spacers. Tighten the hexagonal machine wire with a wrench. Put the self-tapping screws in the steel tube of the support frame, and use the electric drill to drive the self-tapping screws into the desktop base plate.



2. The installation is complete



## Installation instruction






### Installation

The number of people needed for installation: 2

- ① Please read the manual carefully before installing this product. And strictly follow the installation process
- ② Please take good care of this manual for your next installation
- ③ Note: Before installation, screw all the screws to 1/2 of the length of the installation. After all screws are half screwed in, tighten them all together.

### Parts list

Serial number	Shape	Name	Quantity
A		Hexagon socket head screw (M8*16mm)	8
B		Gaskets	8
C		Self-tapping screws (M4*35mm)	8