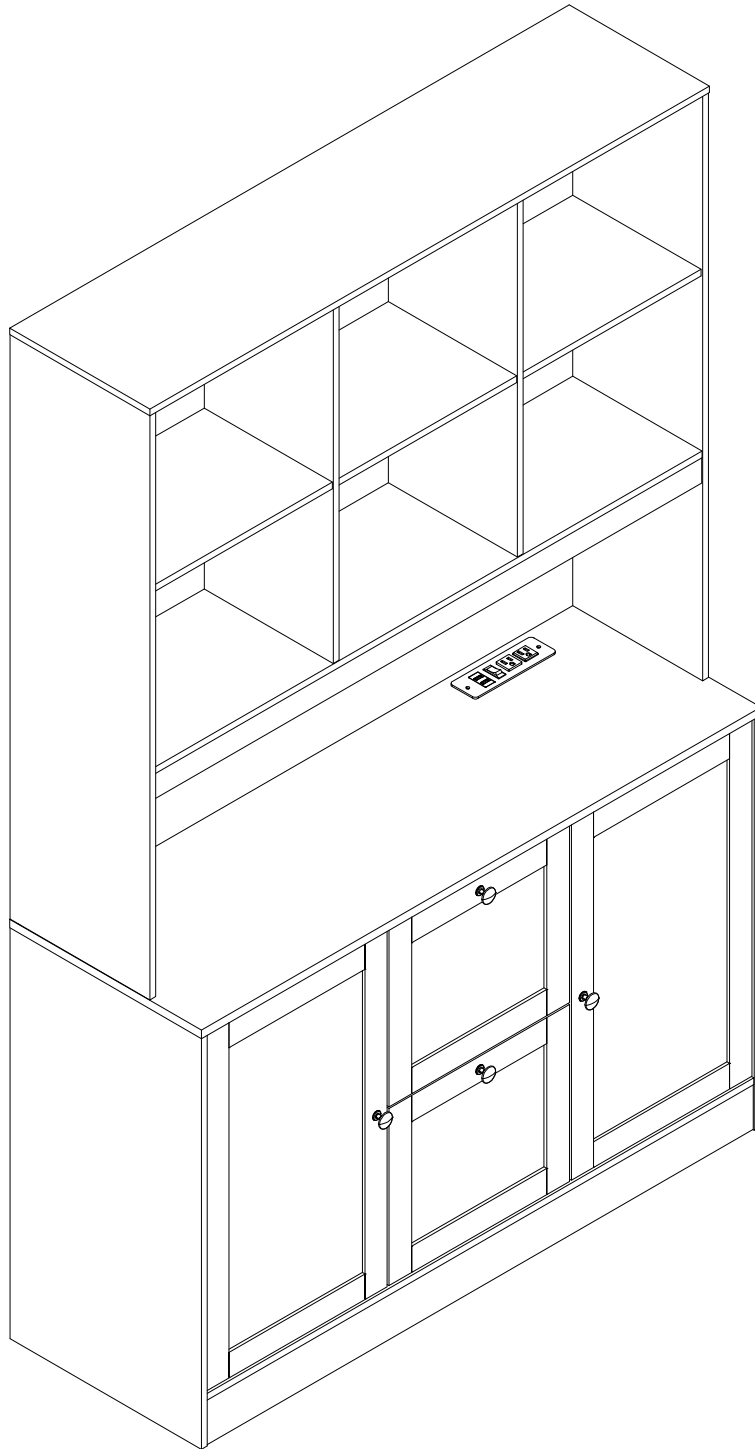


Instruction Manual



Cabinet

EN

Thank you for purchase on our products. Please contact us if you have difficulty with assembly or need replacement parts. Our customer service is here to assist you. Please attach your User Name or Order ID so that we can assist you better.

WARNING

Serious or fatal injury may occur from unexpected assembly or use.

1. During the assembly process, keep all parts away from babies or children.
2. Always securely fix this product to the wall. Make sure the wall area to be drilled is free from hidden electrical wires, water and gas pipes.
3. Use of tip-over restraints may only reduce, but not eliminate the risk of tip-over.
4. Unless specially designed to accommodate, do not set heavy objects on top of this product.
5. Place the heaviest items on the lowest shelf.
6. Never allow children to climb or bang on drawers, doors or shelves.

DE

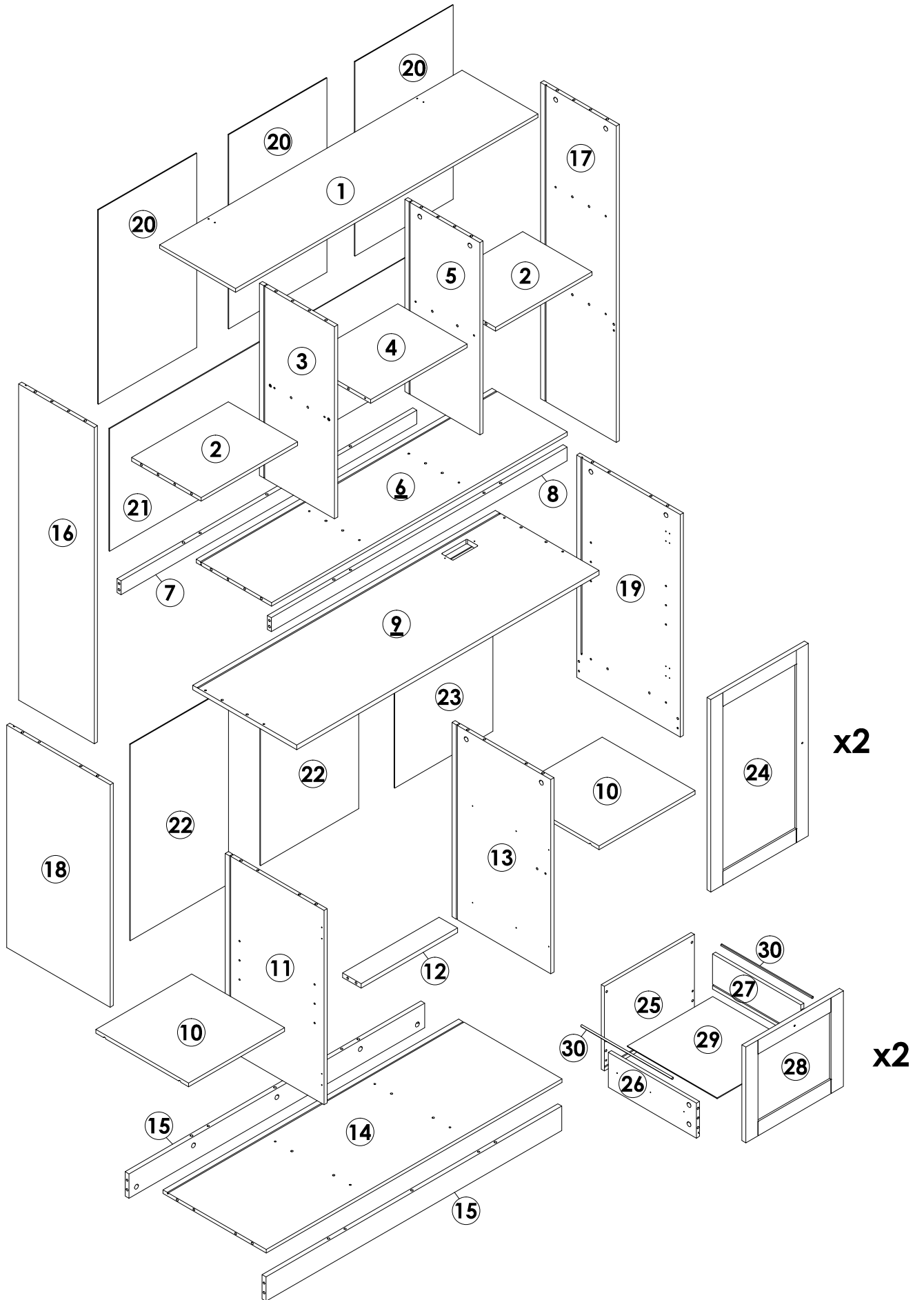
Vielen Dank für Ihren Kauf von uns Produkten. Bitte kontaktieren Sie uns, wenn Sie Probleme mit Montage haben oder Ersatzteile benötigen. Wir Kundenservice ist für Sie da. Bitte geben Sie Ihren Benutzernamen oder Ihre Bestellnummer an, damit wir Sie besser unterstützen können.

WARNUNG

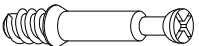

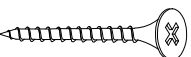

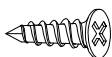
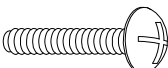
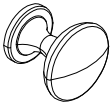

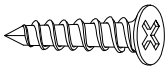
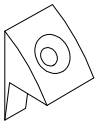
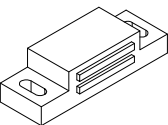
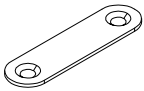
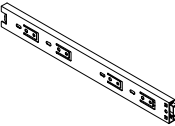
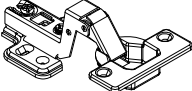
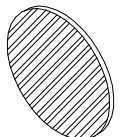
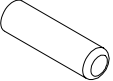
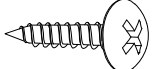
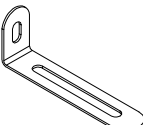
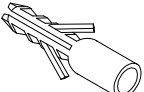
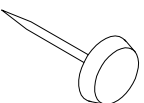
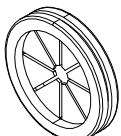
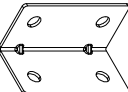
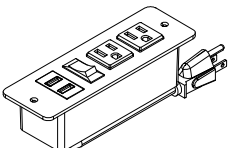

Bei unerwarteter Montage oder Verwendung können schwere oder tödliche Verletzung auftreten.

1. Legen Sie in den Montageprozess alle Teile weg von Babys oder Kindern.
2. Stellen Sie sicher, dass der gebohrte Wandbereich frei von verborgenen Stromkabeln, Wasser- und Gasleitungen ist, wenn Sie dieses Produkt an der Wand befestigen.
3. Die Verwendung von Kippsicherungen kann die Gefahr eines Kippens nur verringern, jedoch nicht beseitigen.
4. Setzen Sie bitte keine schweren Gegenstände auf dieses Produkt, es sei denn, dass das Produkt speziell für die Unterbringung konzipiert wird.
5. Legen Sie bitte die schwersten Gegenstände auf das unterste Regal.
6. Erlauben Sie nie Kindern, auf Schubladen, Türen oder Regale zu klettern oder zu knallen.

Parts List(EN) / Teile Liste(DE)

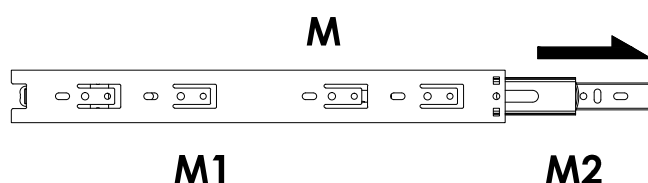


Parts List(EN) / Teile Liste(DE)

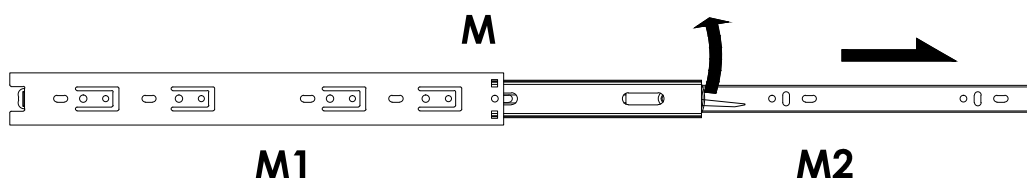
<p>A</p>  <p>M6x35mm 61+2PCS</p>	<p>B</p>  <p>Ø15x9mm 61+2PCS</p>	<p>C</p>  <p>M4x40mm 26+2PCS</p>	<p>D</p>  <p>Ø6x30mm 74+2PCS</p>	<p>E</p>  <p>M3.5x12mm 28+2PCS</p>
<p>F</p>  <p>M4x16mm 4PCS</p>	<p>G</p>  <p>4PCS</p>	<p>H</p>  <p>M3x12mm 32+2PCS</p>	<p>I</p>  <p>M3x14mm 42+2PCS</p>	<p>J</p>  <p>34+2PCS</p>
<p>K</p>  <p>4PCS</p>	<p>L</p>  <p>4PCS</p>	<p>M</p>  <p>330mm 4PCS</p>	<p>N</p>  <p>Ø35mm 4PCS</p>	<p>O</p>  <p>Ø20mm 41+2PCS</p>
<p>P</p>  <p>M5x20mm 8+1PCS</p>	<p>Q</p>  <p>M4x12mm 4PCS</p>	<p>R</p>  <p>2PCS</p>	<p>S</p>  <p>Ø6x30mm 2PCS</p>	<p>T</p>  <p>6PCS</p>
<p>U</p>  <p>Ø60mm 1PC</p>	<p>V</p>  <p>1PC</p>	<p>W</p>  <p>1PC</p>	<p>X</p>  <p>M3x14mm 2PCS</p>	

STEP 1

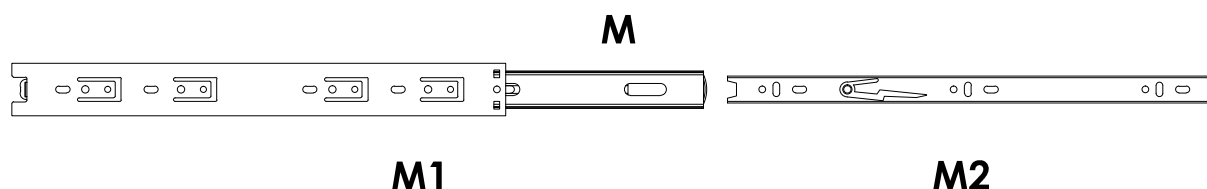
1. Unfold the small part "M2" of the large part "M1", all the way to the end and in the direction shown.



2. Press the lever of part "M2", in the direction indicated, at the same time as you separate part "M1" from part "M2".

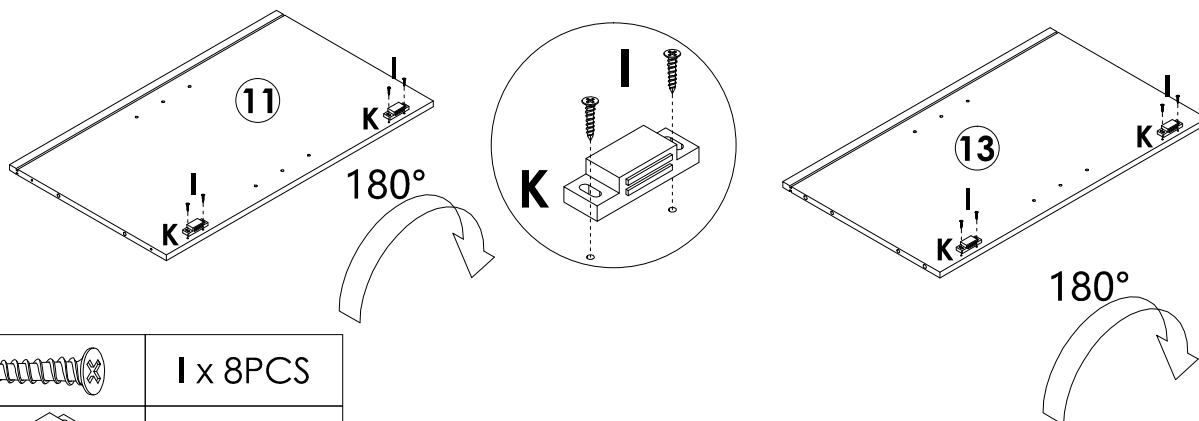


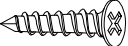

3. You should get two Sliders as shown below.



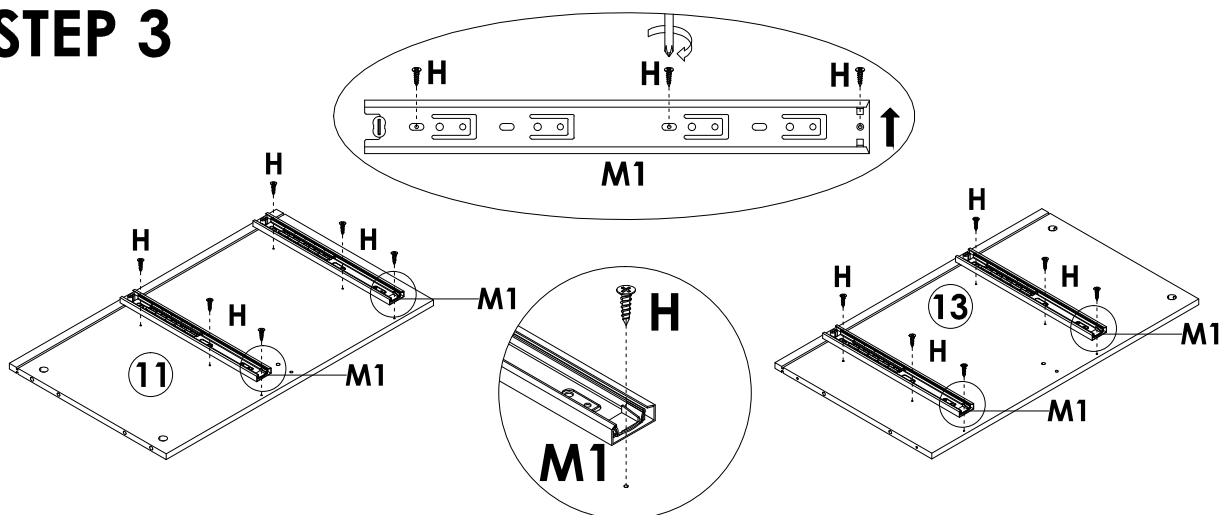
Assembly Steps(EN) / Montageschritte(DE)



STEP 2



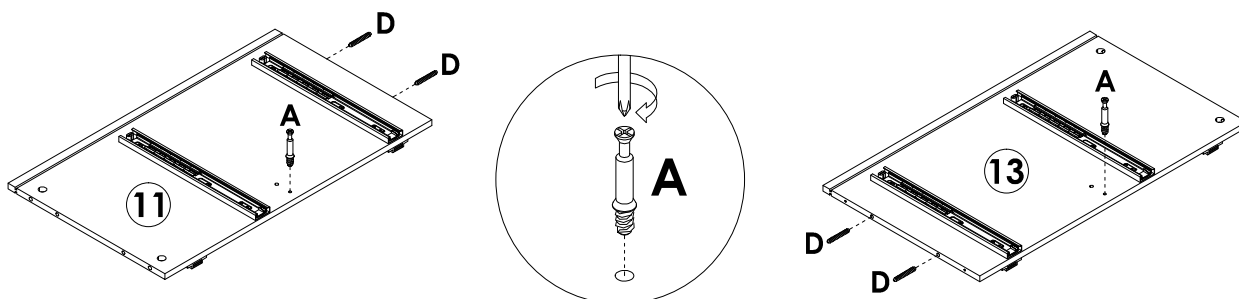
	I x 8PCS
	K x 4PCS

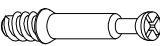

STEP 3



	H x 12PCS
	M1 x 4PCS

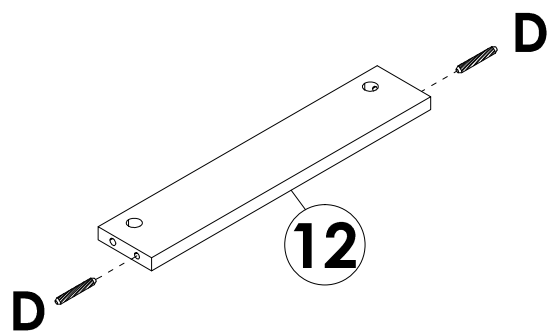
STEP 4



	A x 2PCS
	D x 4PCS

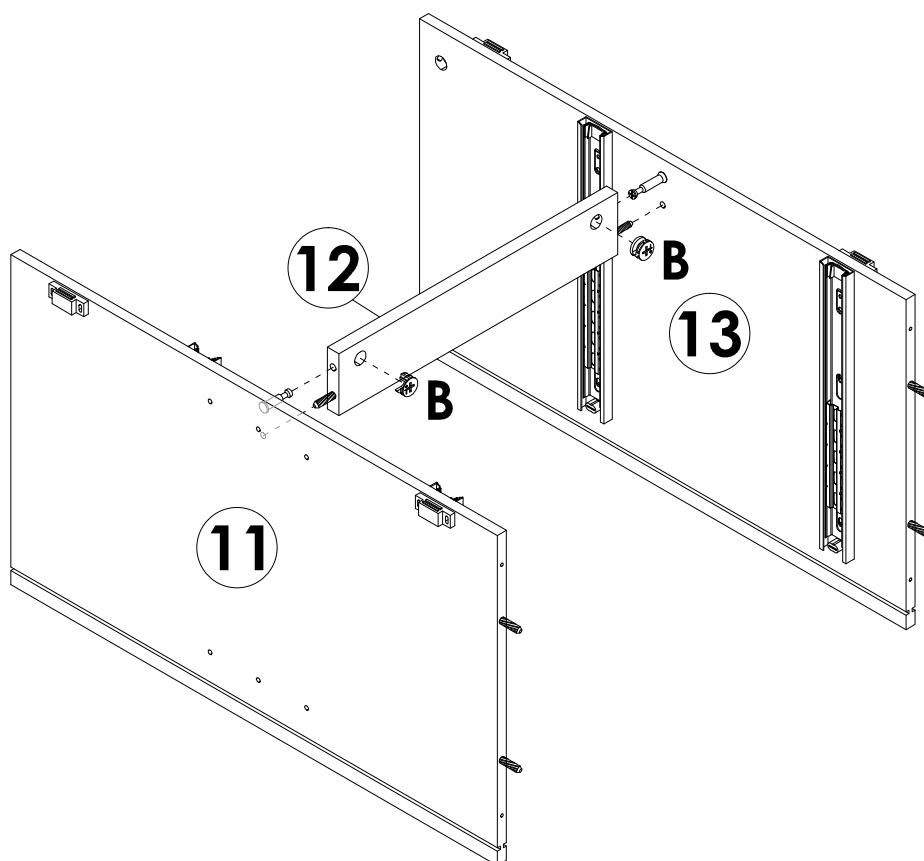
Assembly Steps(EN) / Montageschritte(DE)

STEP 5

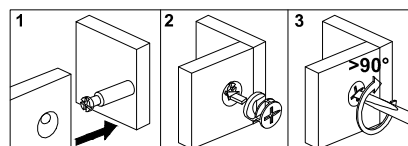


D x 2PCS

STEP 6

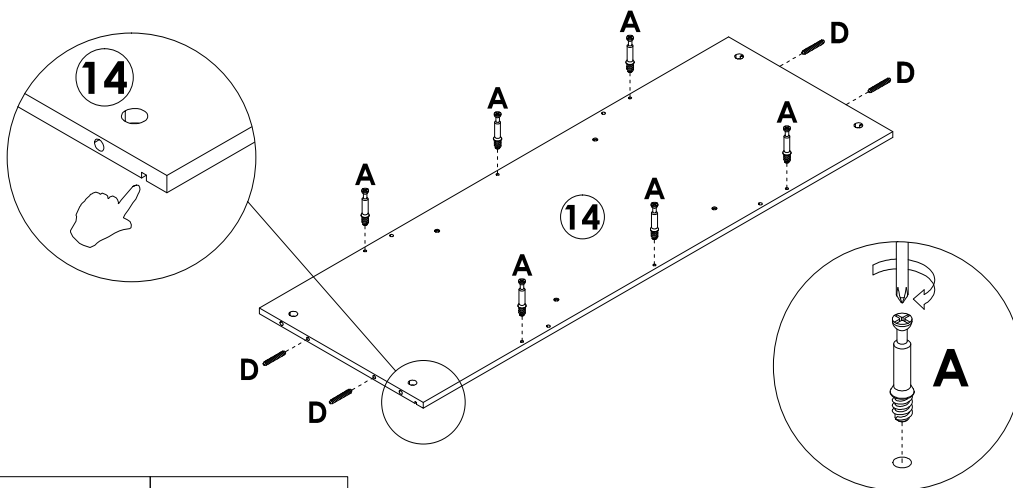




B x 2PCS



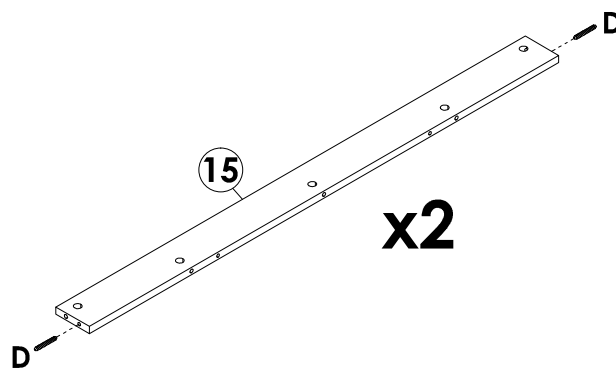
Assembly Steps(EN) / Montageschritte(DE)


STEP 7



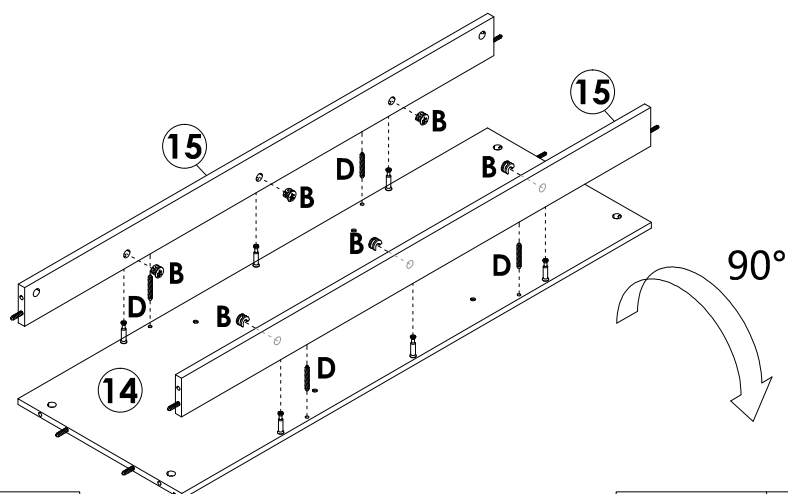
	A x 6PCS
	D x 4PCS



STEP 8

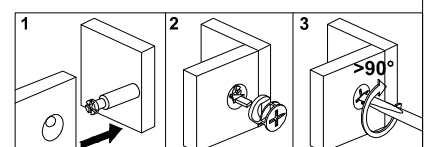


	D x 4PCS
---	----------

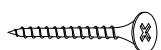
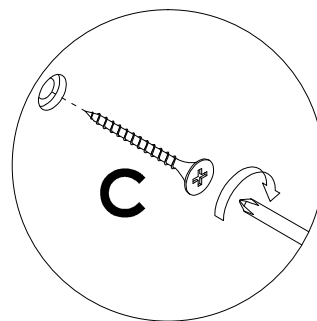
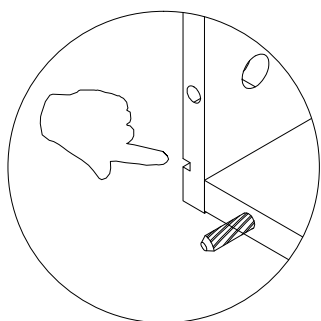
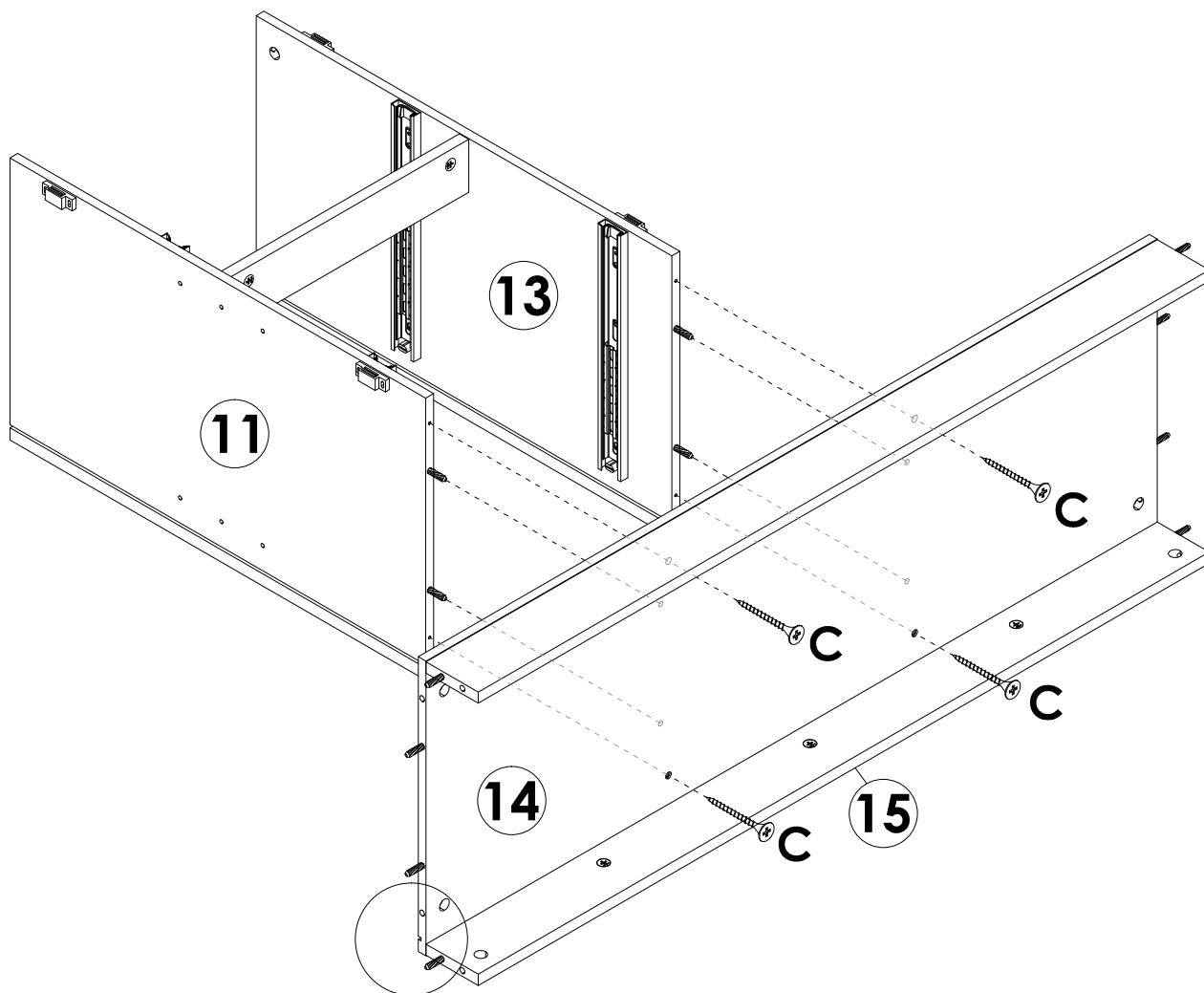
STEP 9



	B x 6PCS
	D x 4PCS

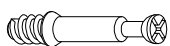
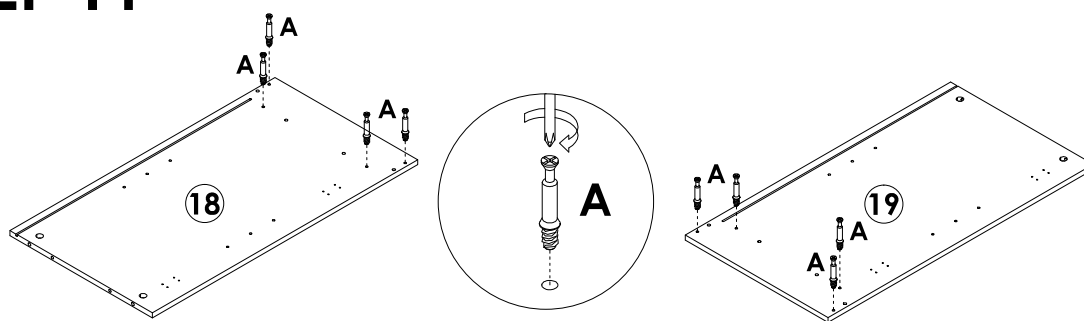


STEP 10



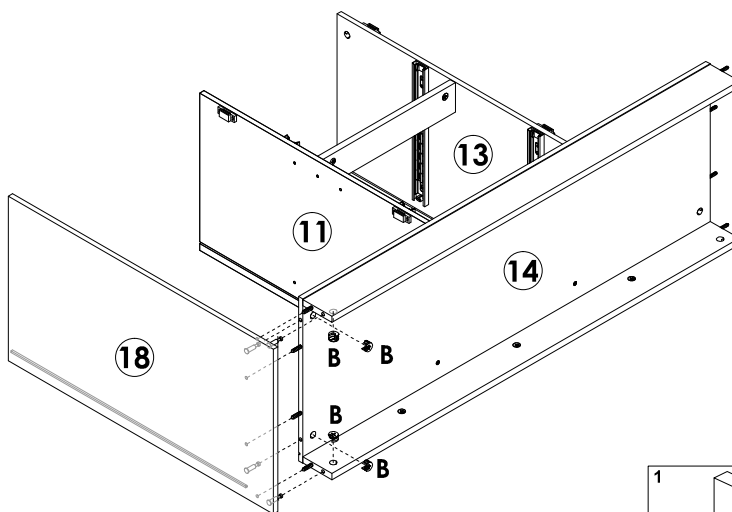
C x 4PCS

STEP 11

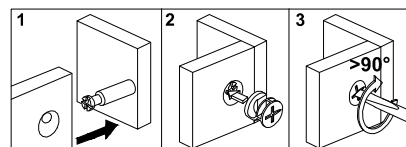


A x 8PCS

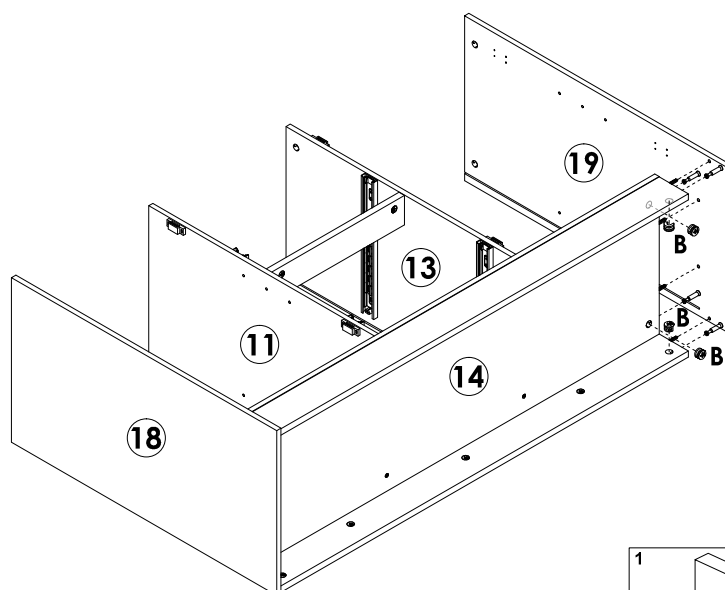
STEP 12



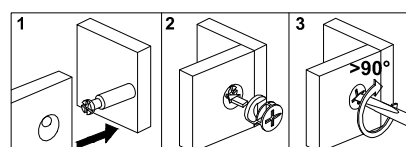
B x 4PCS



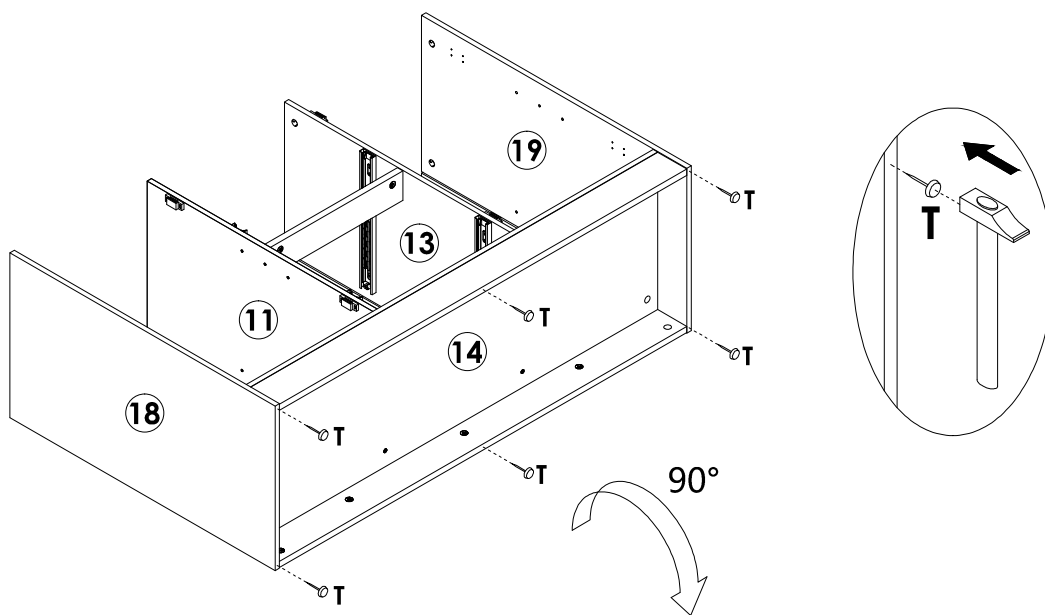
STEP 13



B x 4PCS

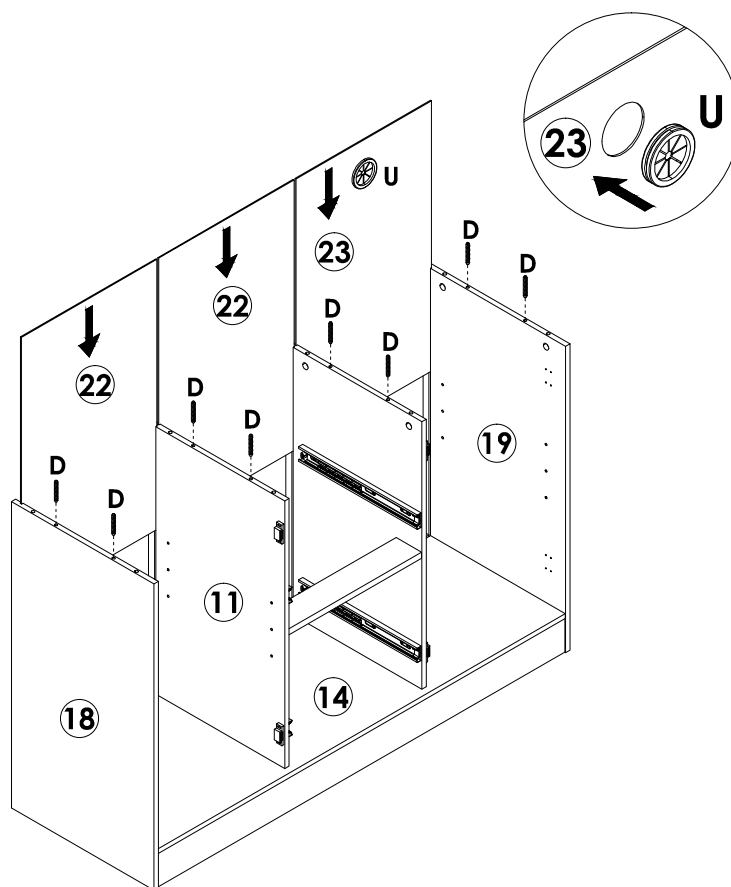


STEP 14



T x 6PCS

STEP 15



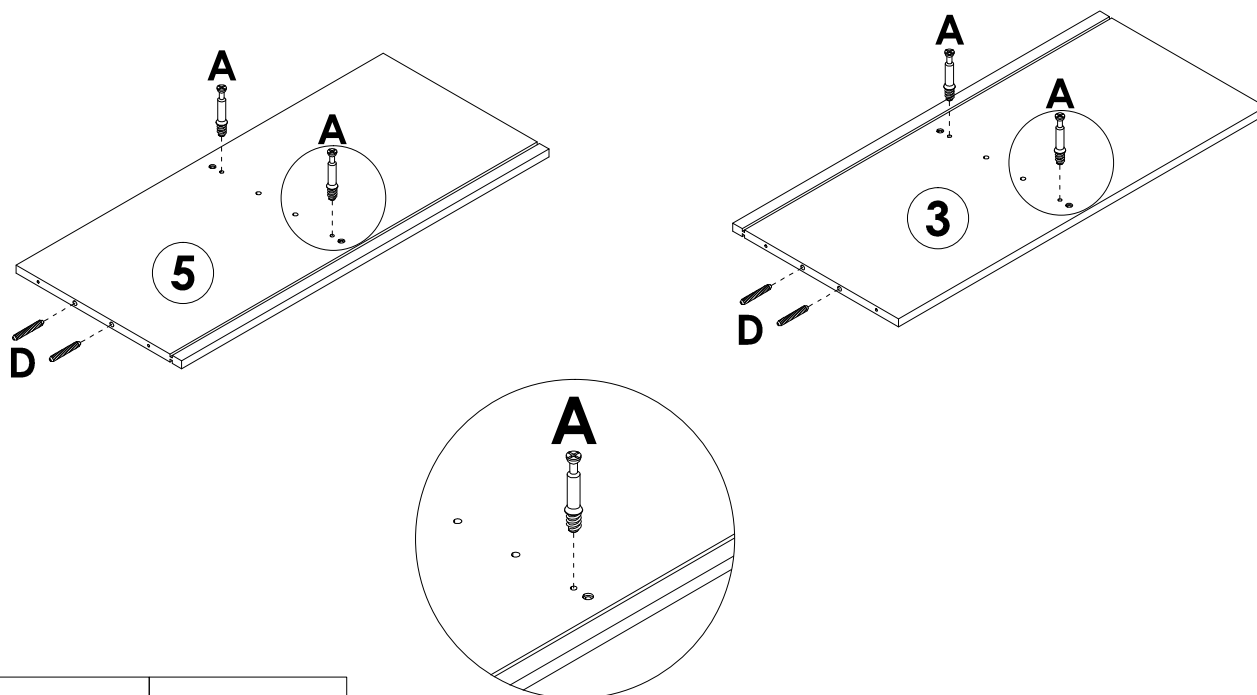
D x 8PCS

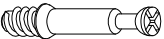



U x 1PC

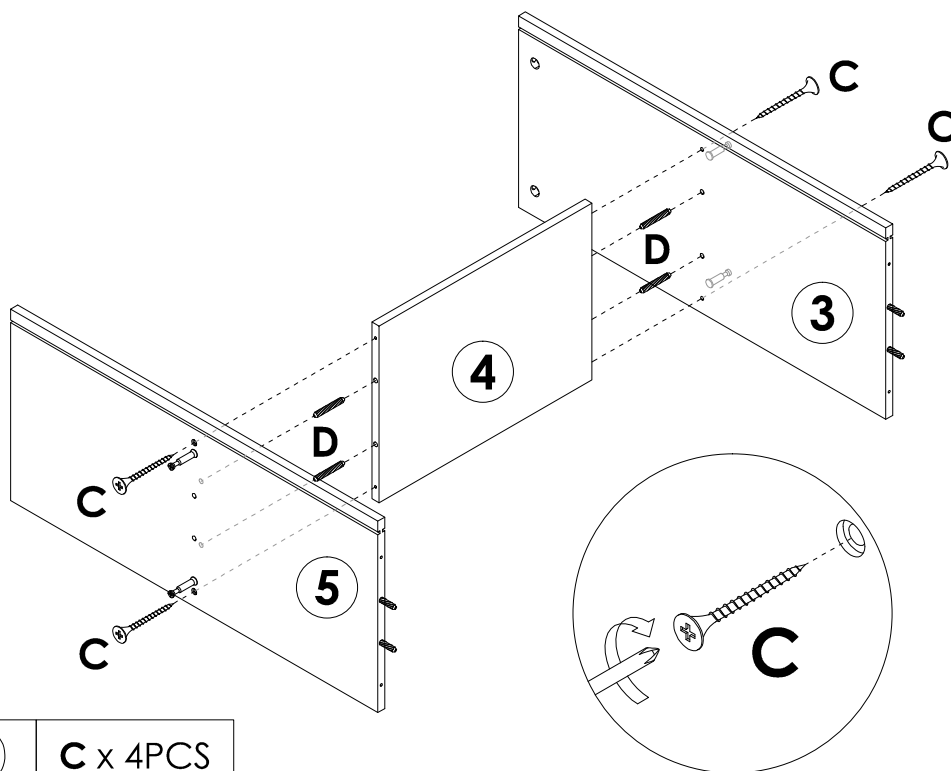
Assembly Steps(EN) / Montageschritte(DE)

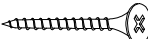

STEP 16



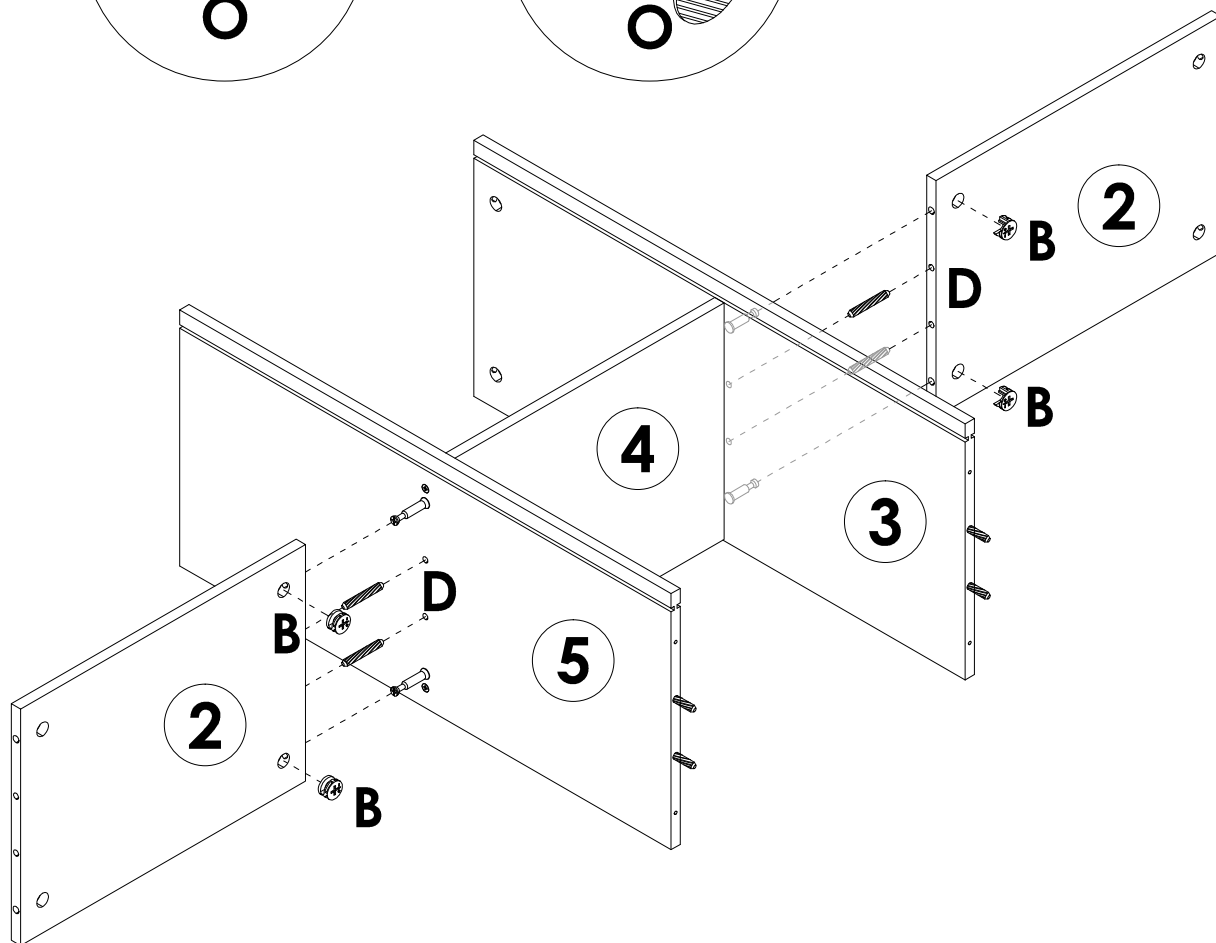
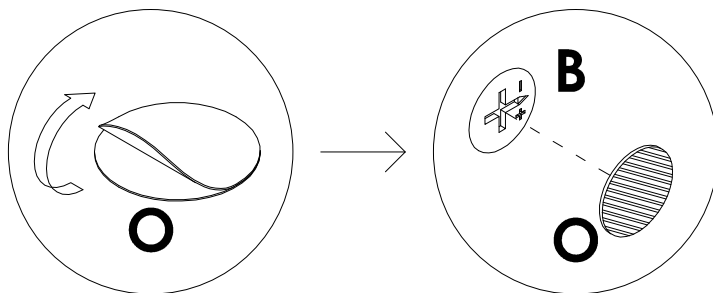
	A x 4PCS
	D x 4PCS




STEP 17

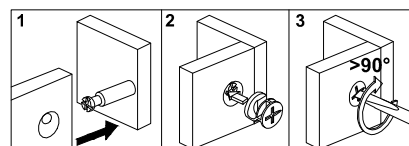


	C x 4PCS
	D x 4PCS

STEP 18

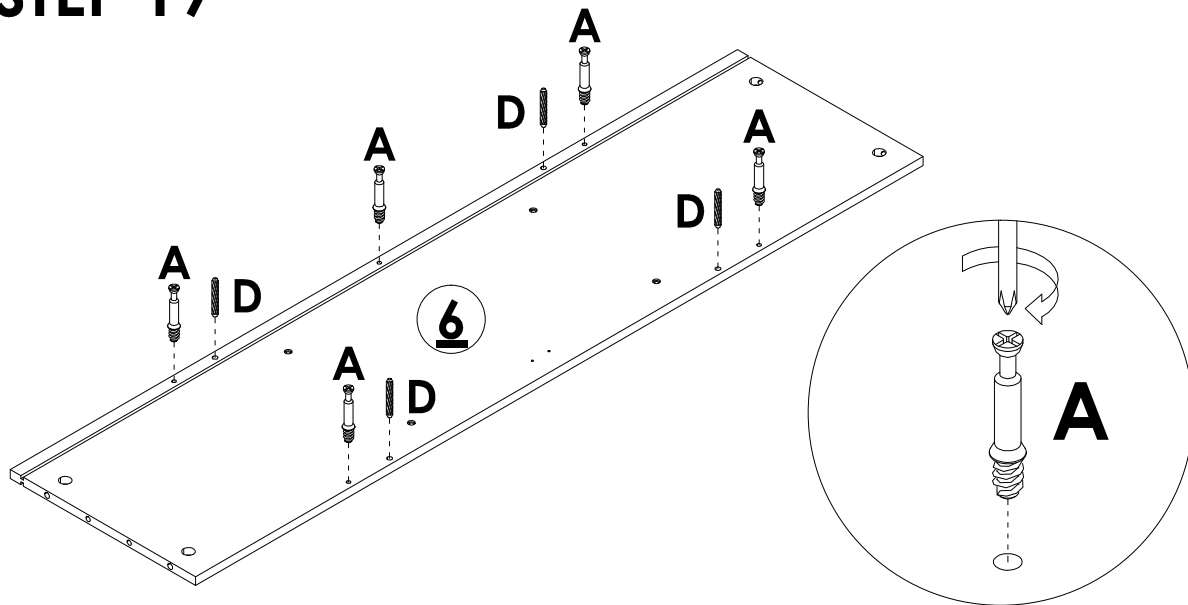




	B x 4PCS
	D x 4PCS
	O x 4PCS



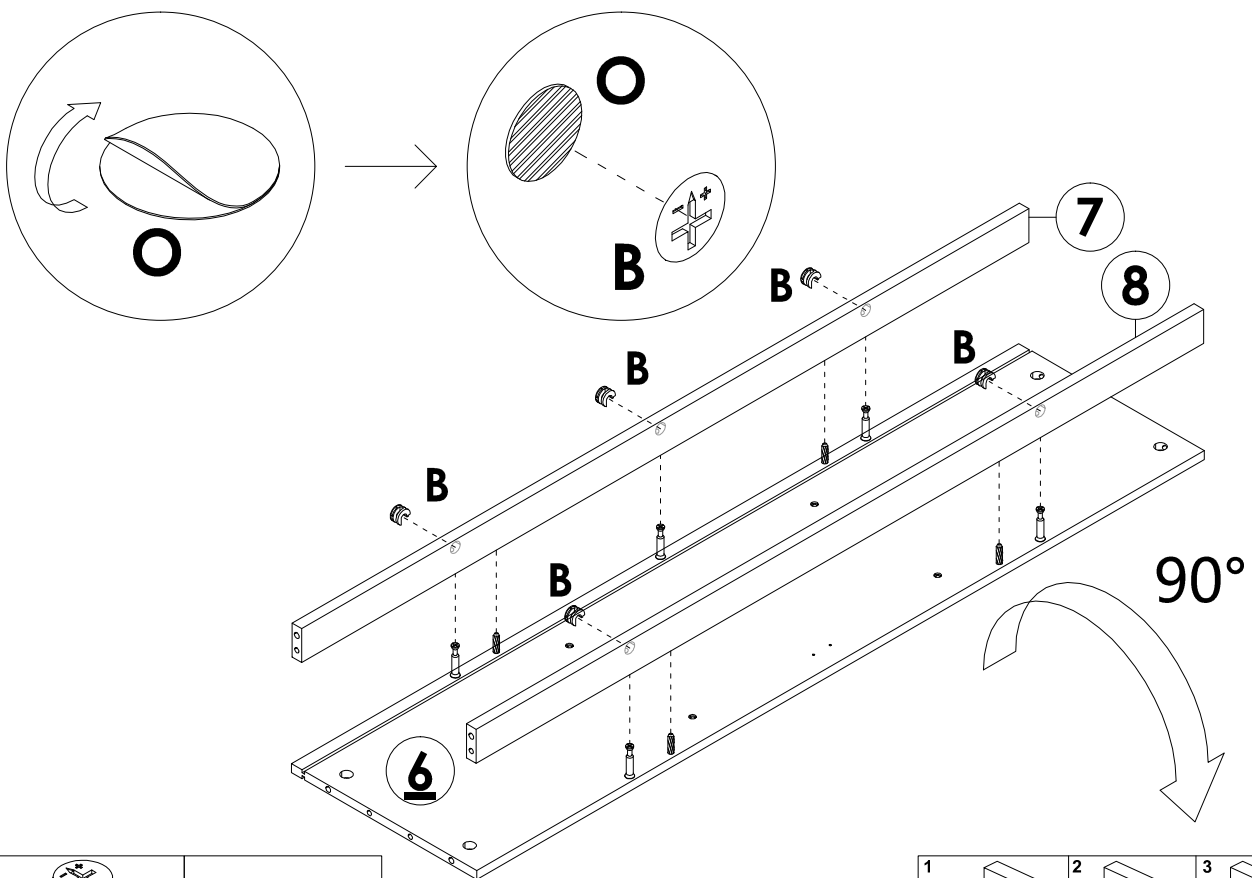
Assembly Steps(EN) / Montageschritte(DE)



STEP 19

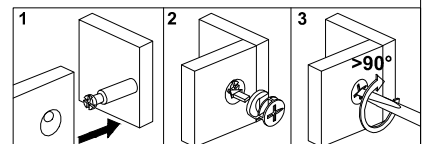


	A x 5PCS
	D x 4PCS

STEP 20

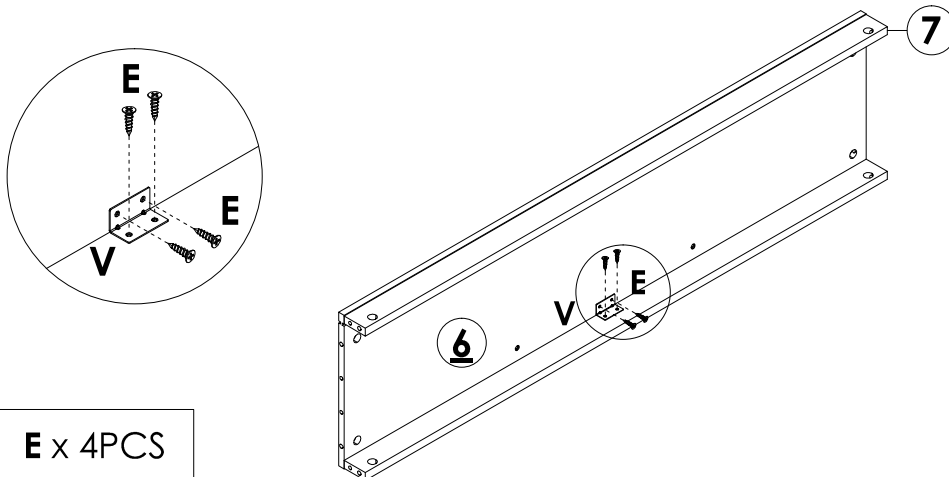



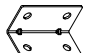
	B x 5PCS
	O x 5PCS



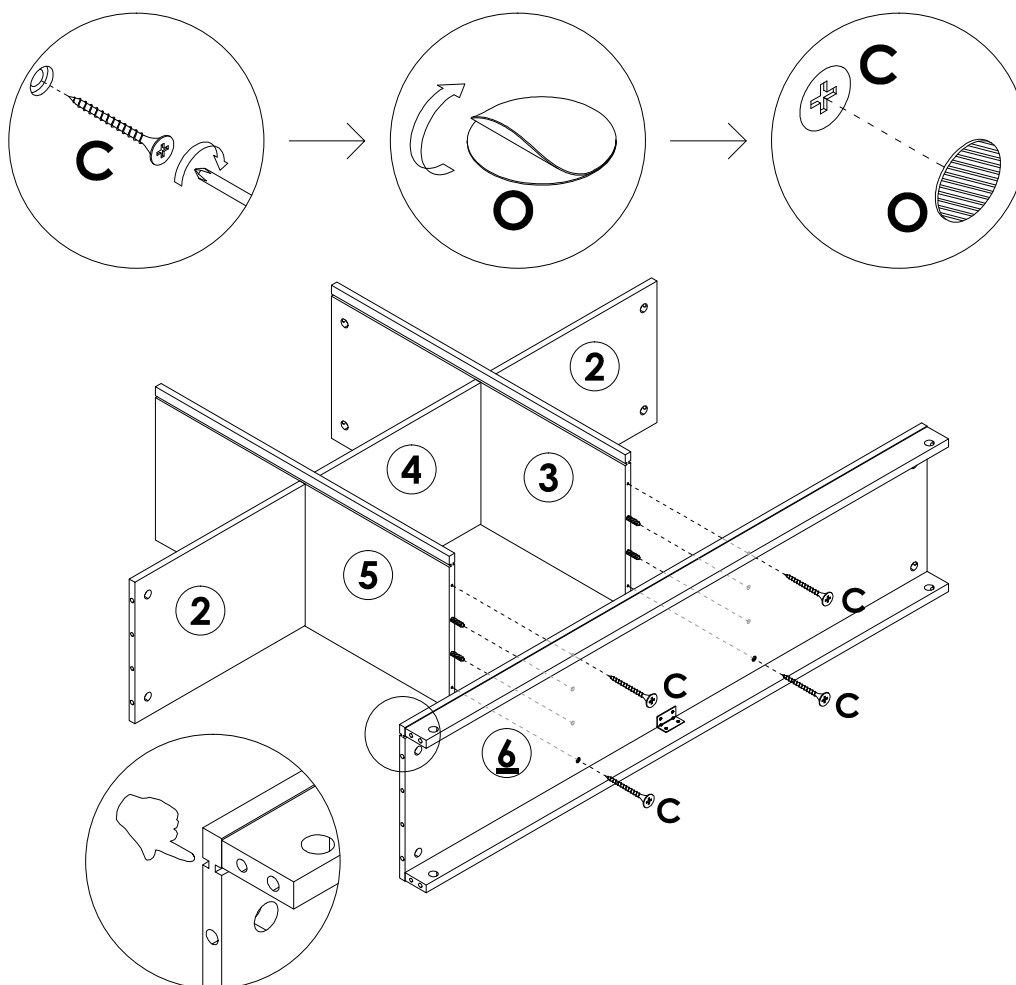
Assembly Steps(EN) / Montageschritte(DE)

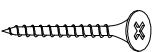

STEP 21



	E x 4PCS
	V x 1PC

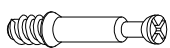
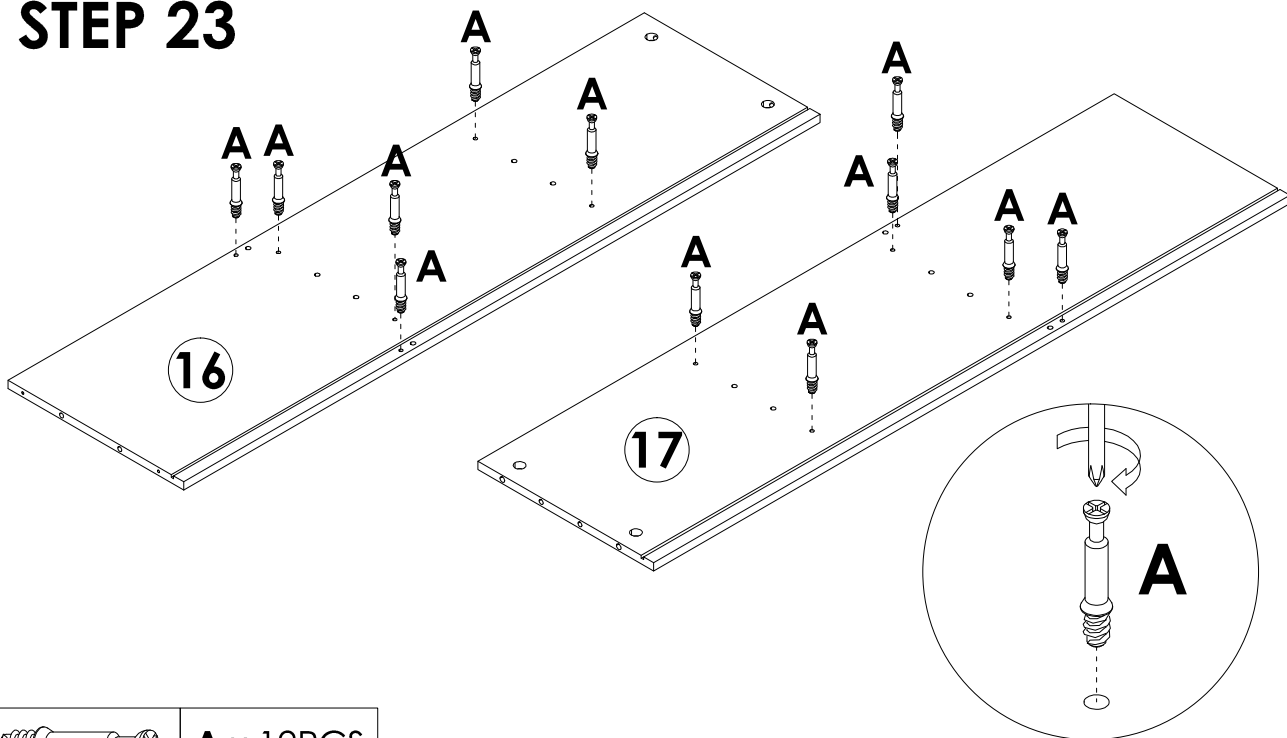
STEP 22



	C x 4PCS
	O x 4PCS

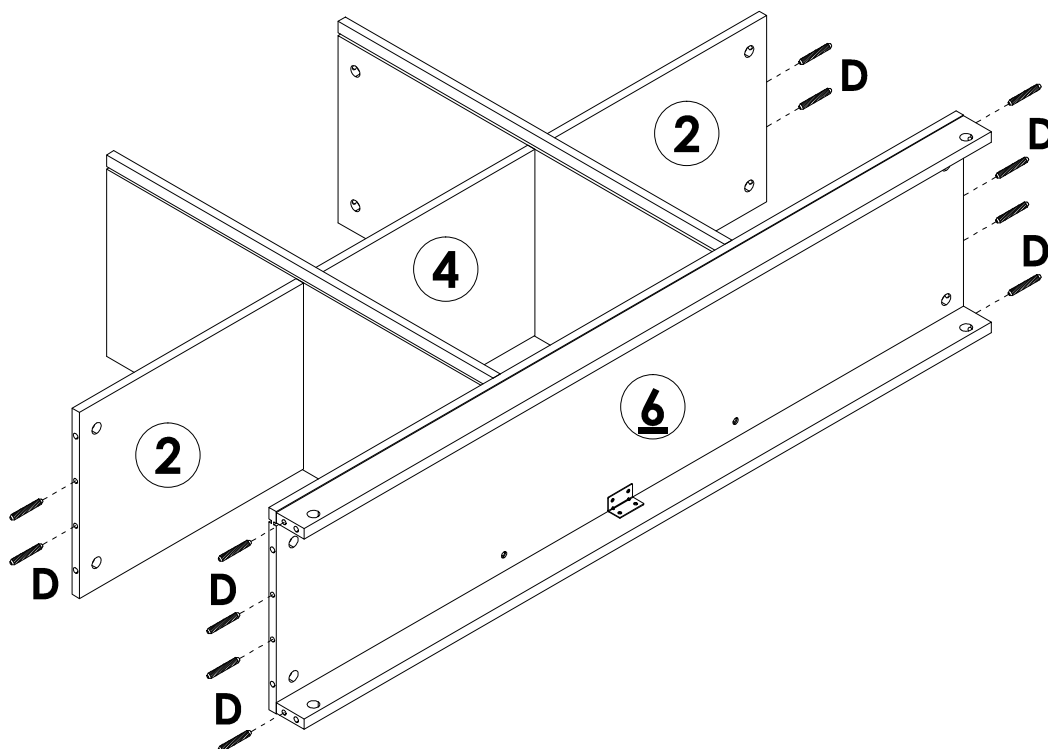
Assembly Steps(EN) / Montageschritte(DE)

STEP 23

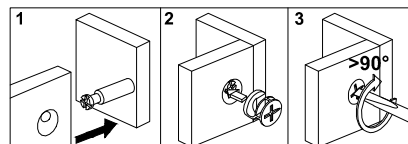


A x 12PCS

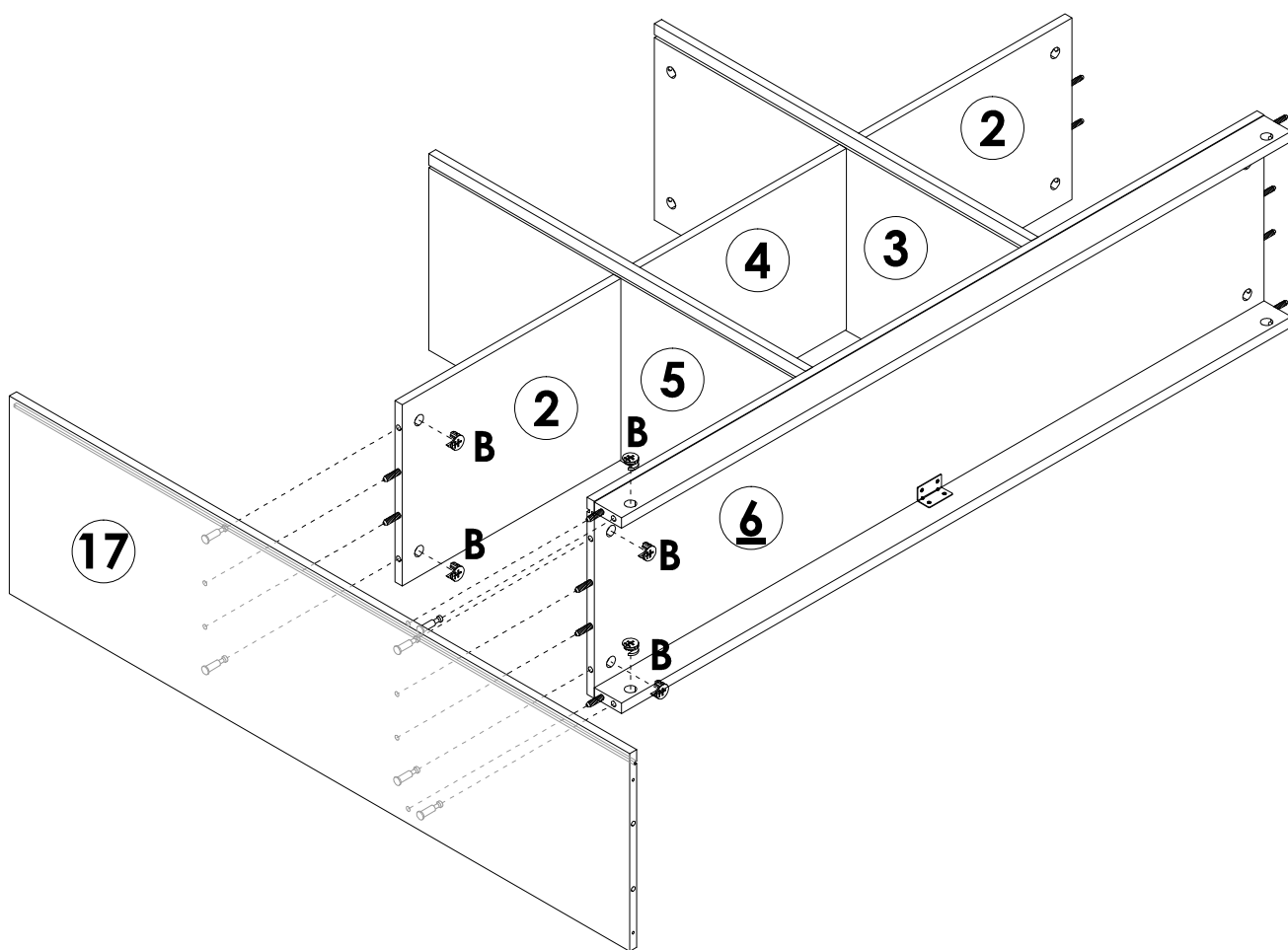
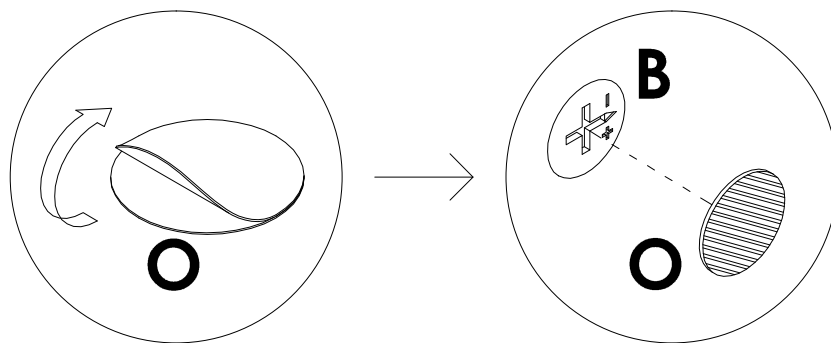
STEP 24





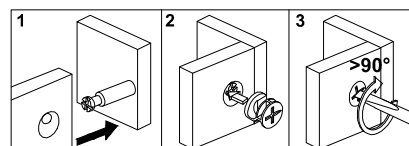
D x 12PCS



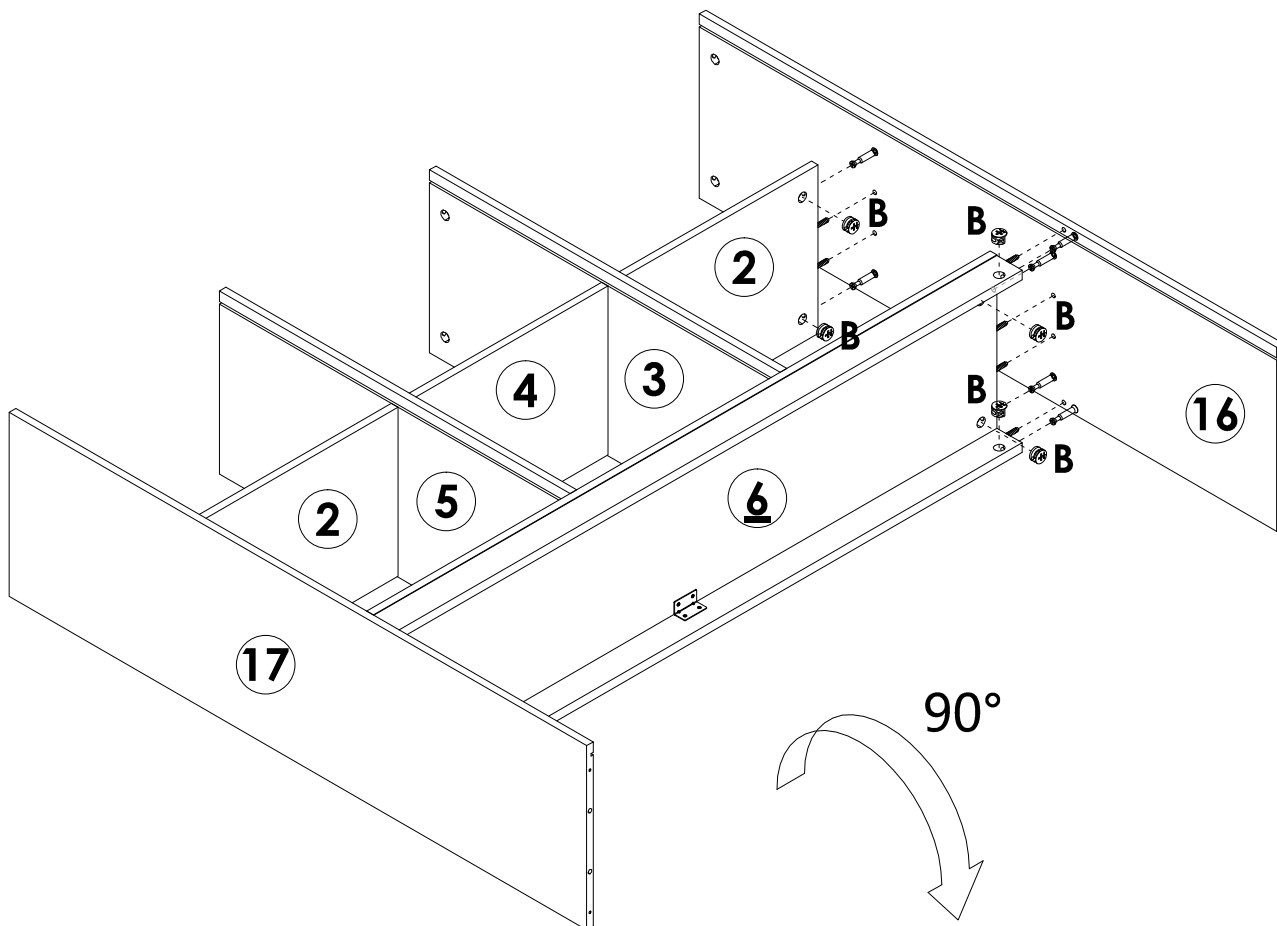
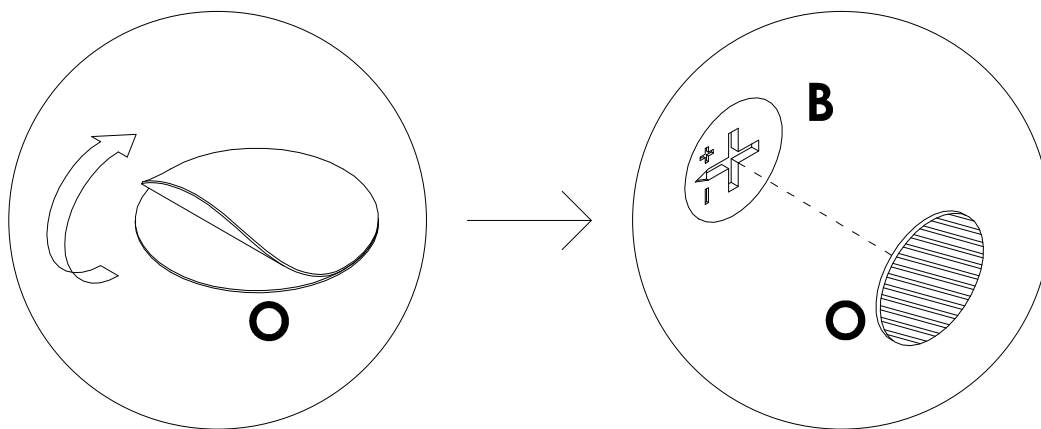
STEP 25





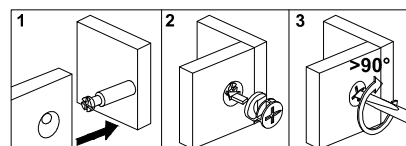
	B x 6PCS
	O x 6PCS



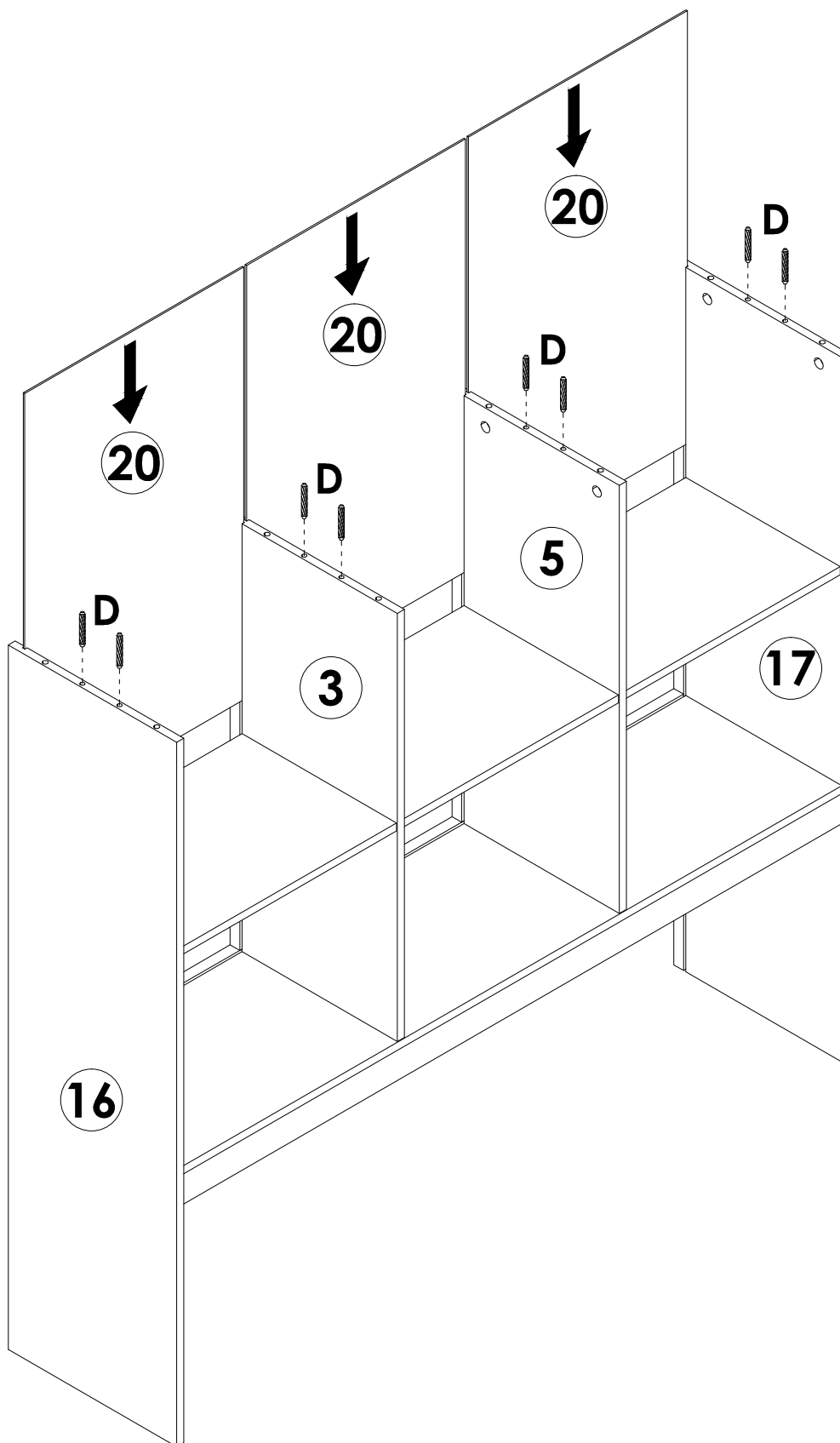
STEP 26



	B x 6PCS
	O x 6PCS



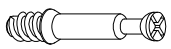
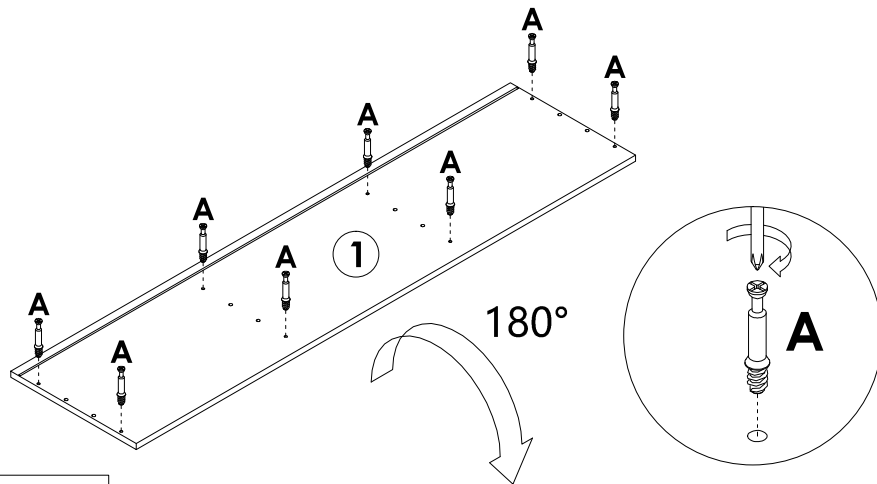
STEP 27



D x 8PCS

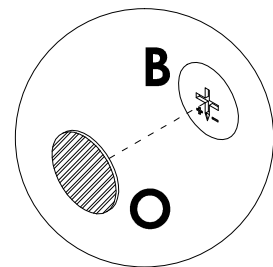
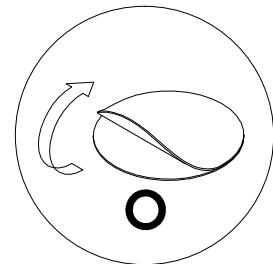
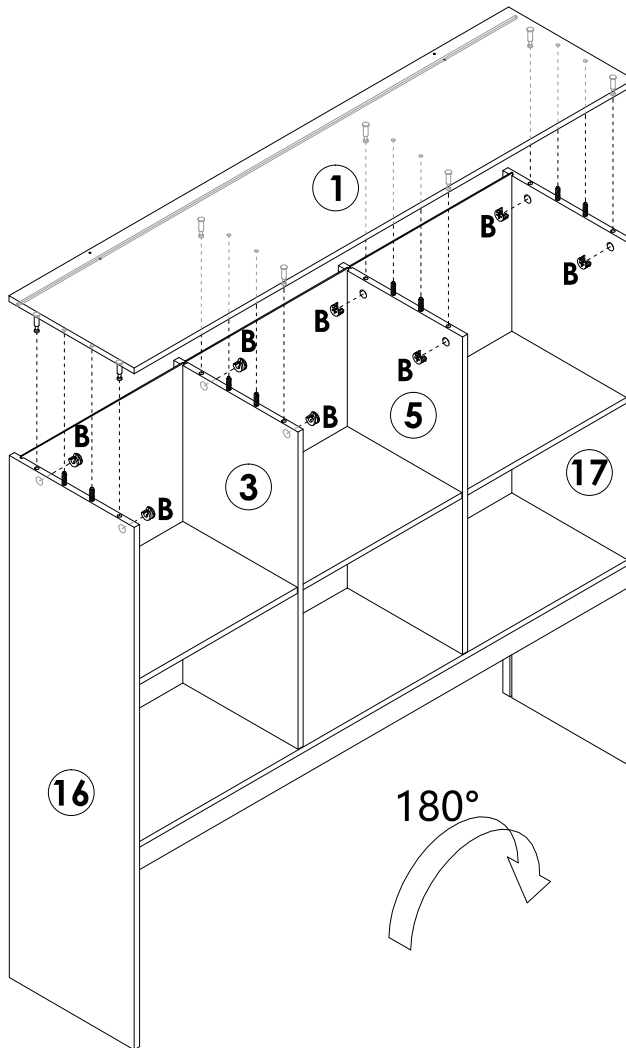
Assembly Steps(EN) / Montageschritte(DE)

STEP 28



A x 8PCS

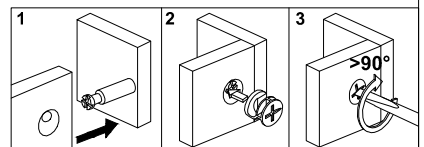
STEP 29



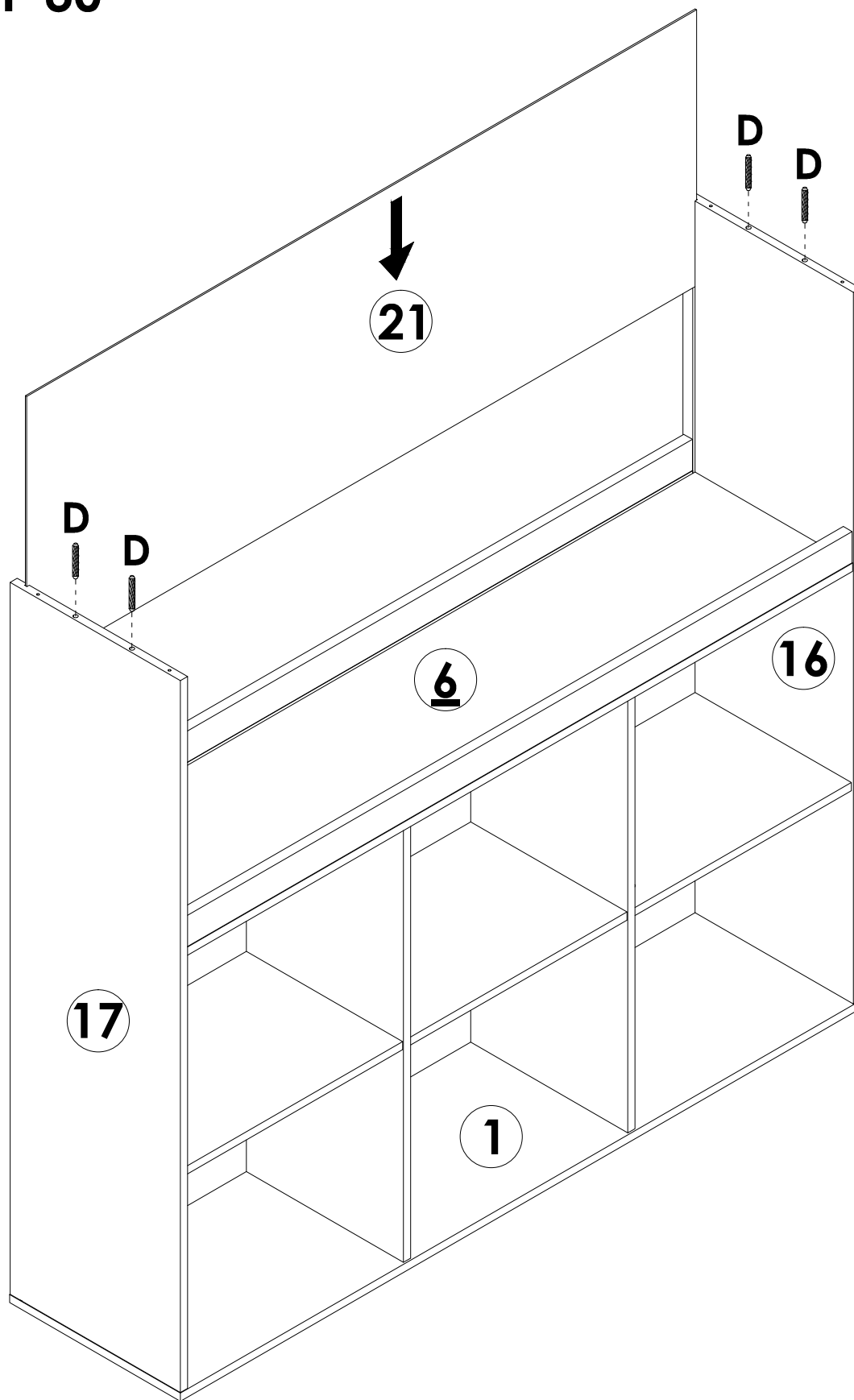
B x 8PCS



O x 8PCS

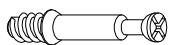
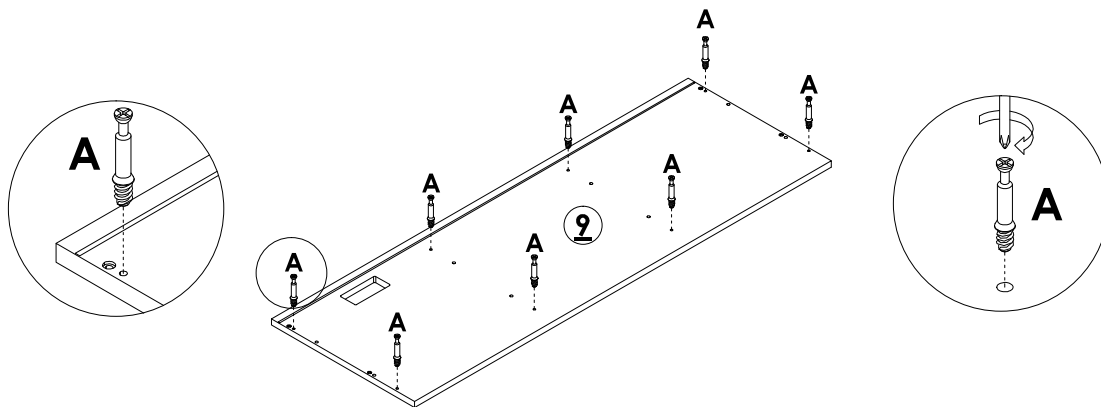


STEP 30



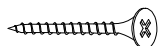
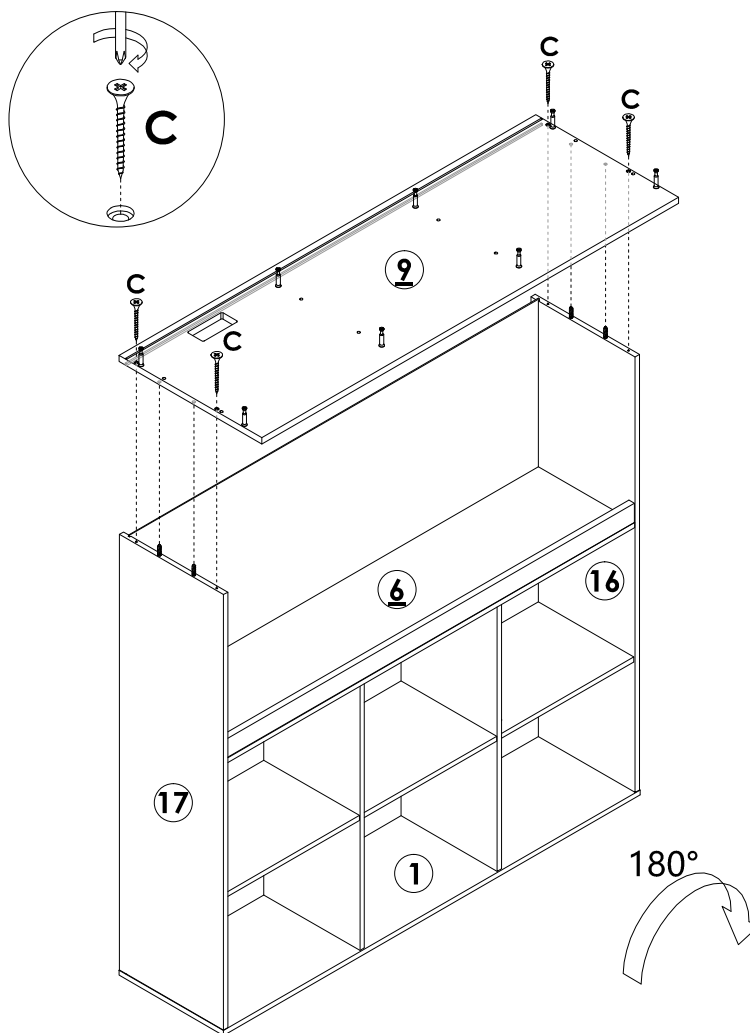
D x 4PCS

STEP 31



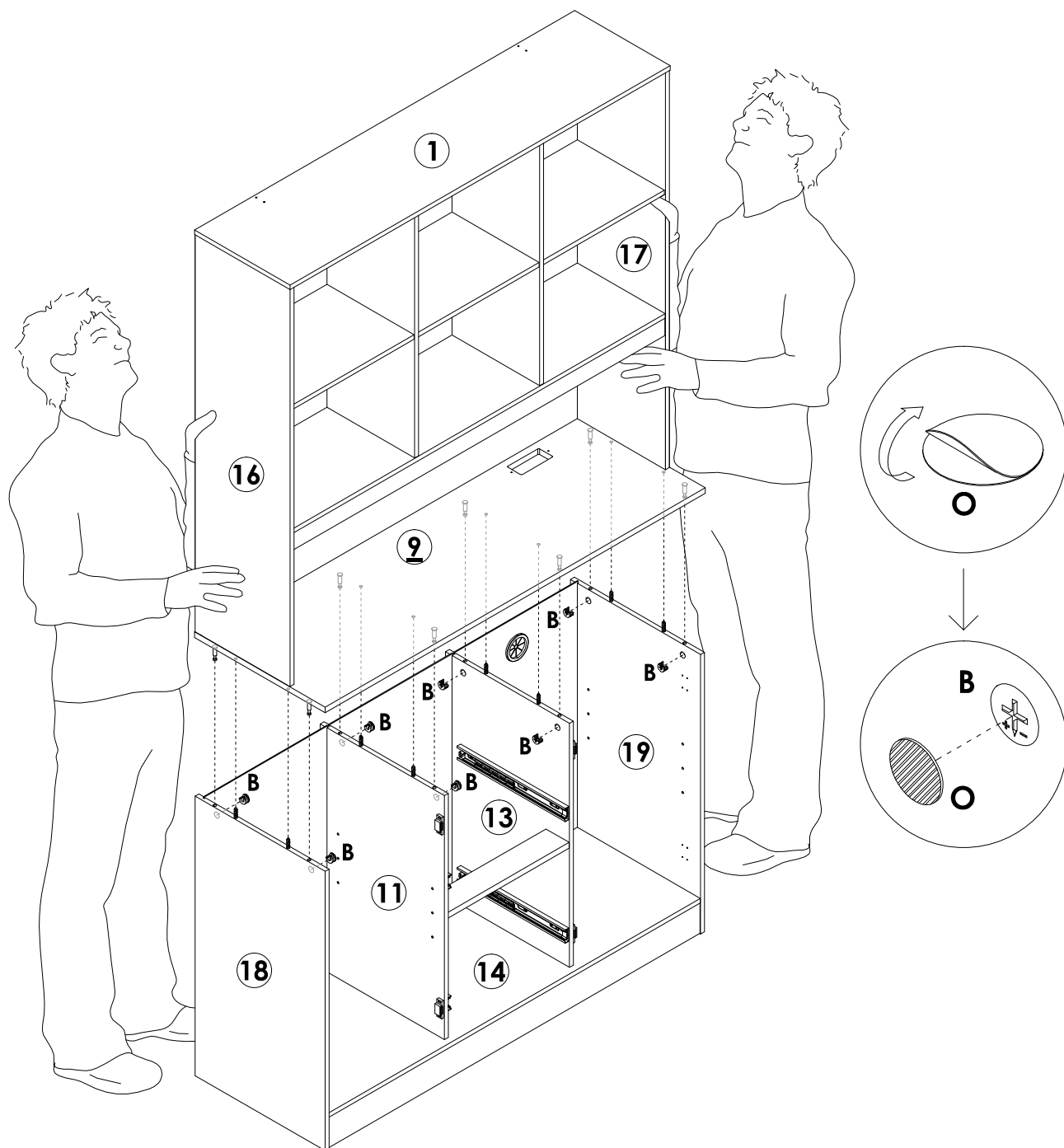
A x 8PCS



STEP 32

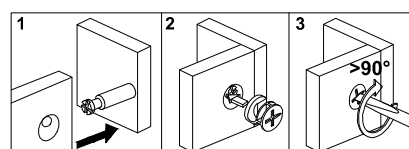


C x 4PCS

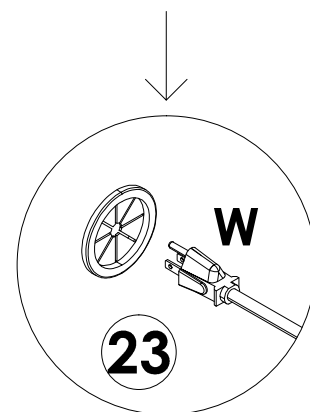
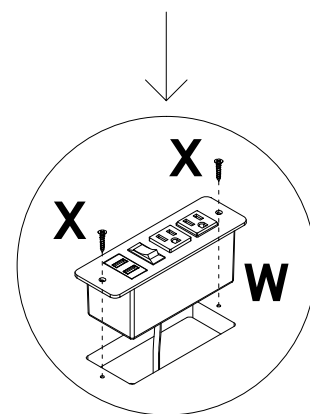
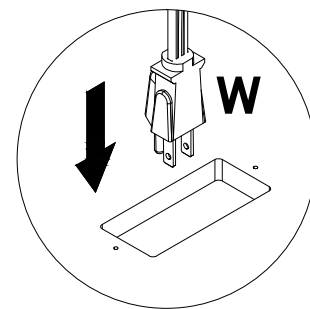
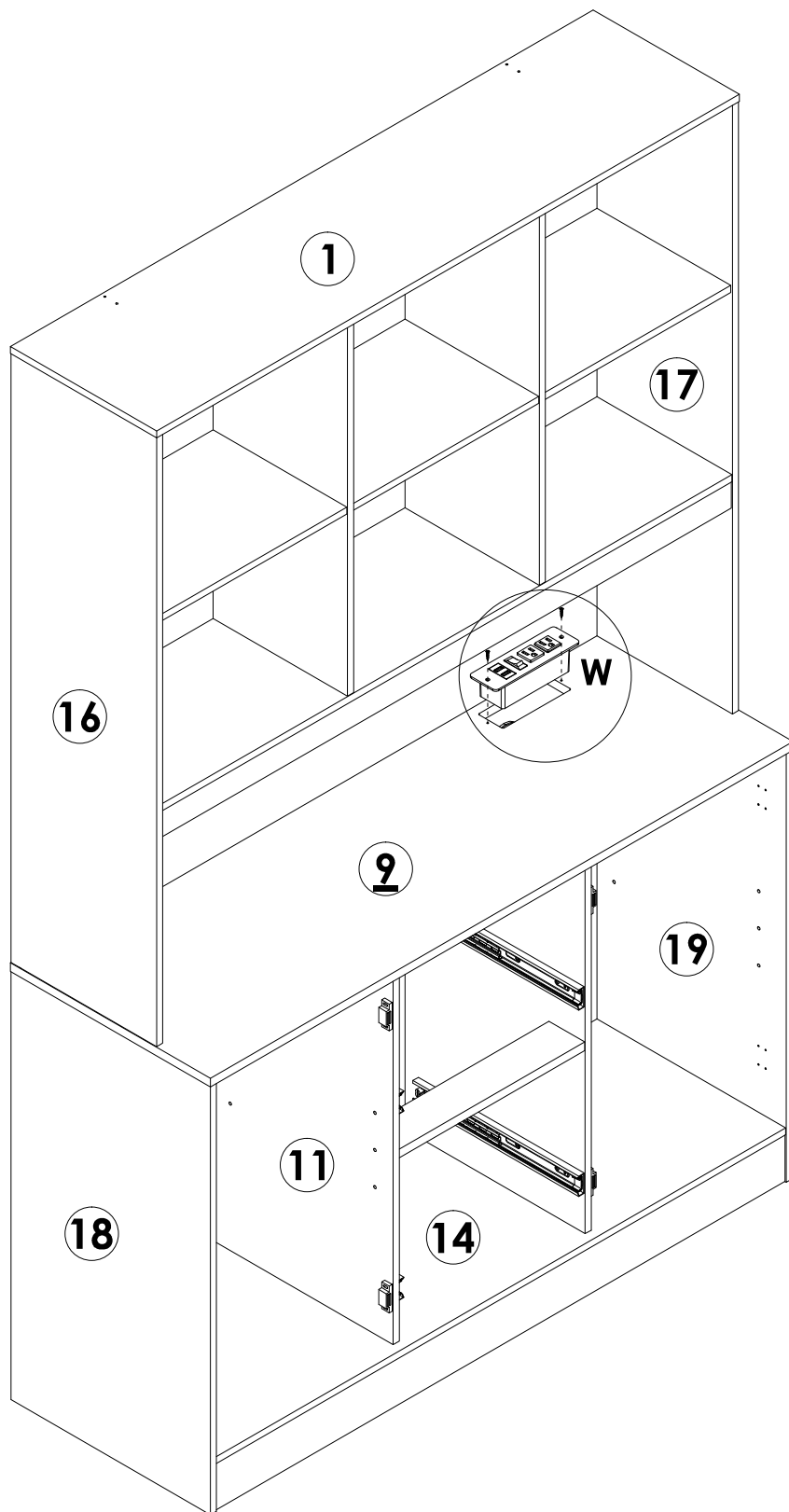
STEP 33





	B x 8PCS
	O x 8PCS

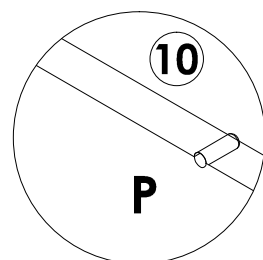
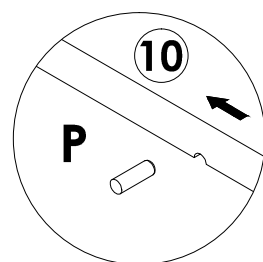
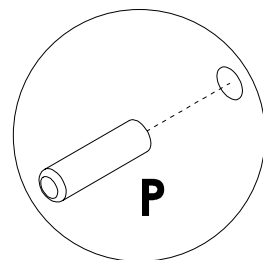
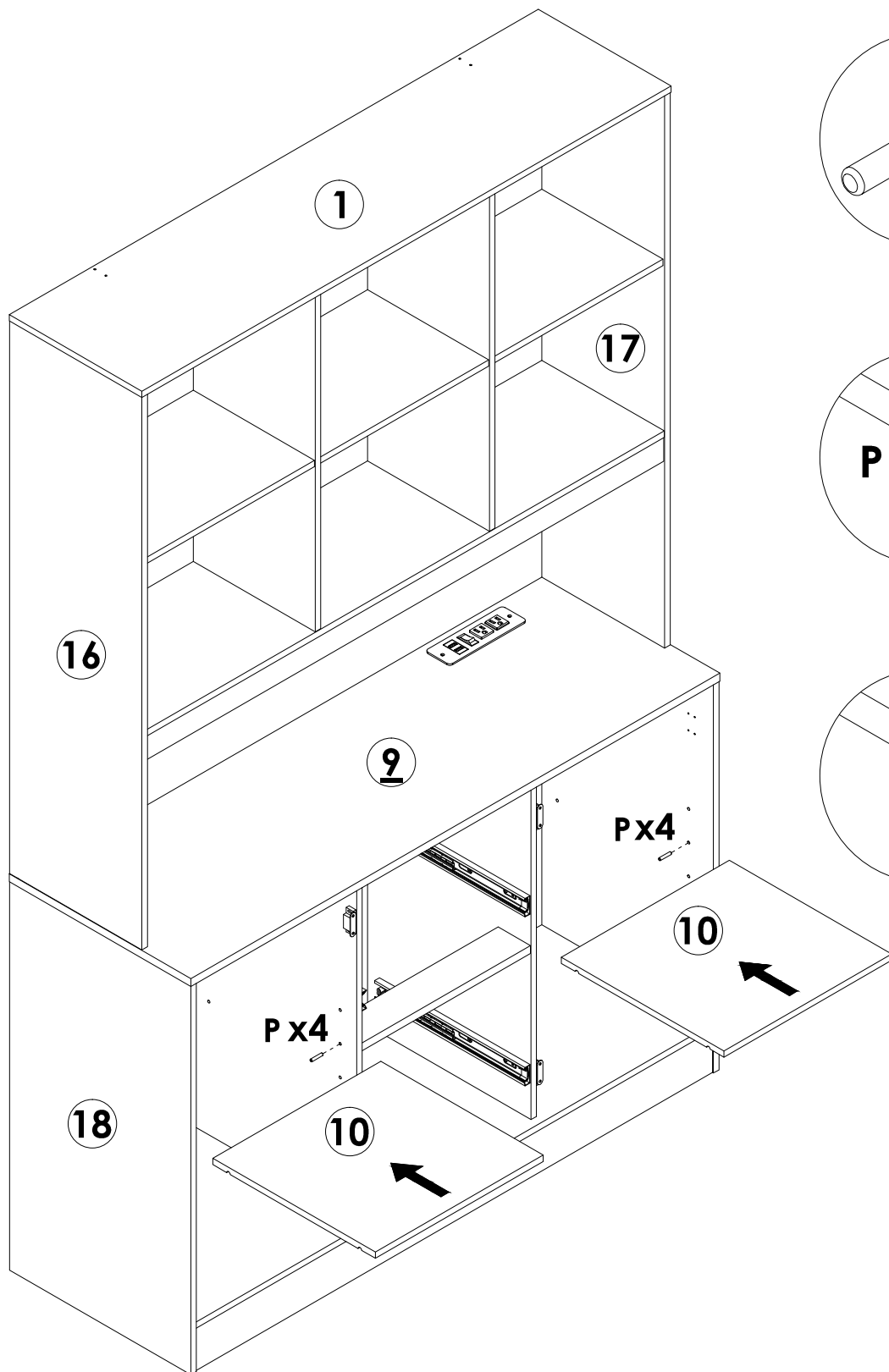


STEP 34



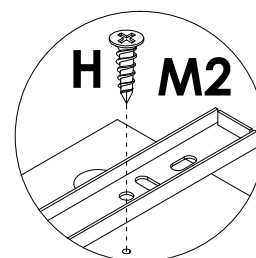
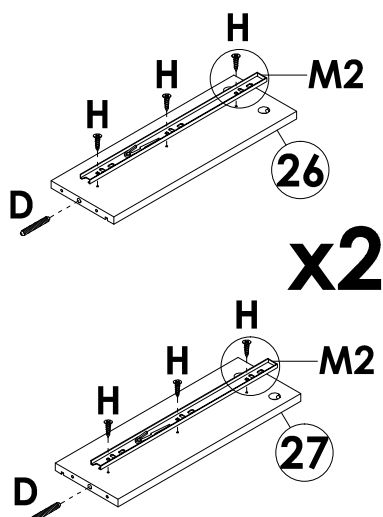
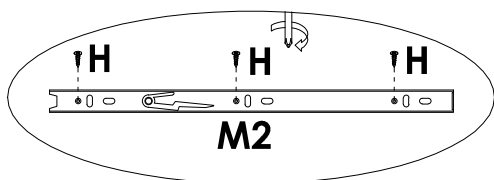
	W x 1PC
	X x 2PCS

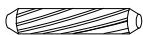

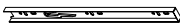
STEP 35



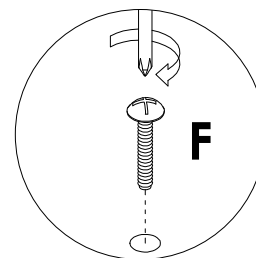
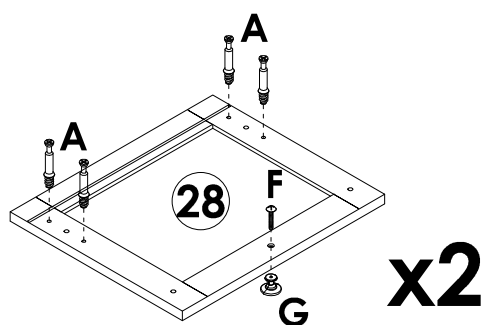
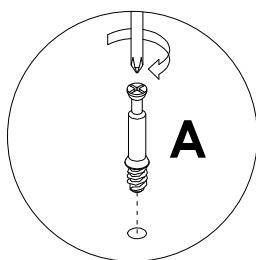
P x 8PCS

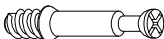
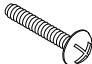

STEP 36



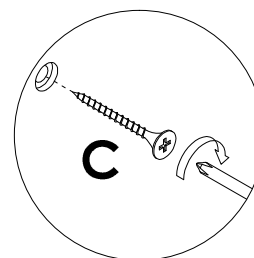
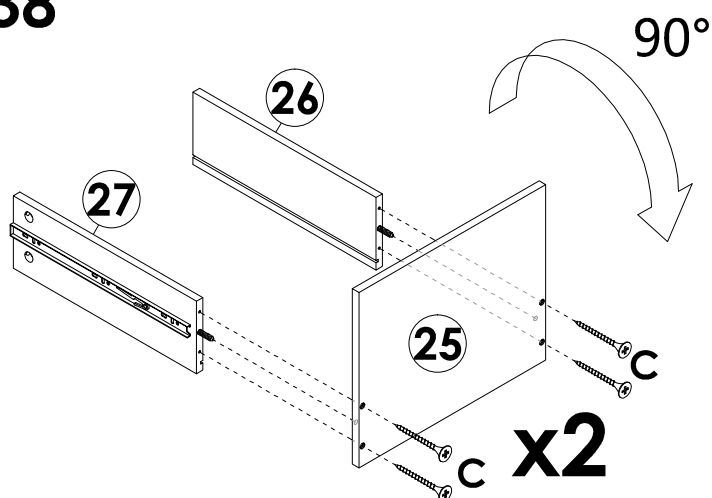
	D x 4PCS
	H x 12PCS
	M2 x 4PCS

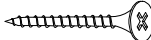
STEP 37



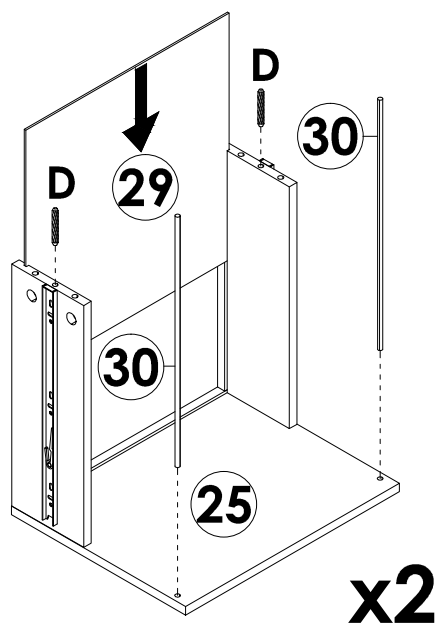
	A x 8PCS
	F x 2PCS
	G x 2PCS


STEP 38



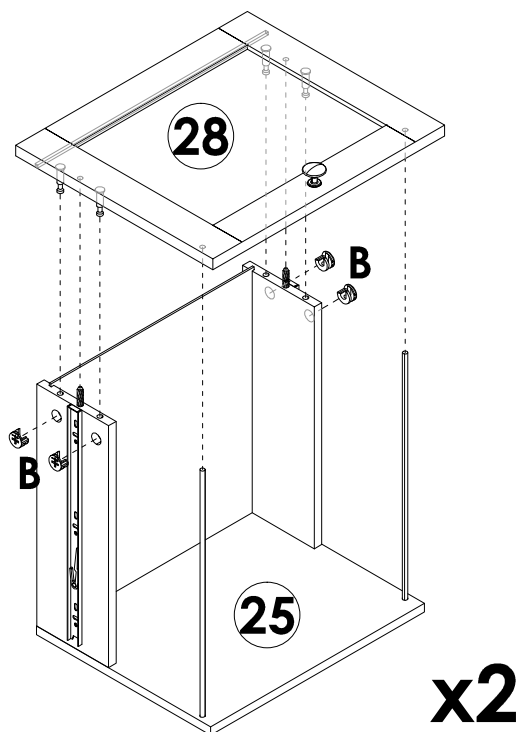
	C x 8PCS
---	-----------------


STEP 39

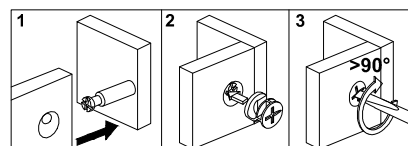


 **D x 4PCS**

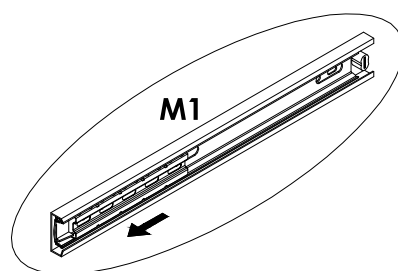
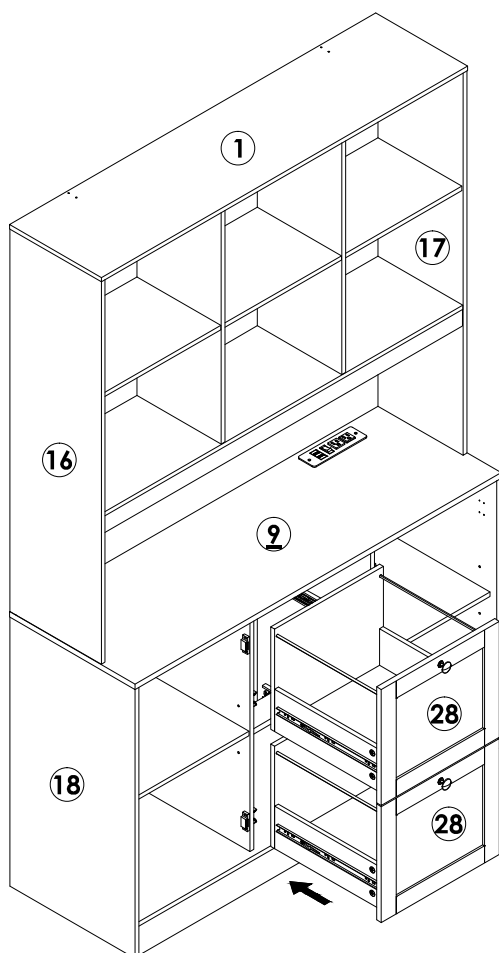
STEP 40



 **B x 8PCS**



STEP 41



Make sure all the sliders on the front end

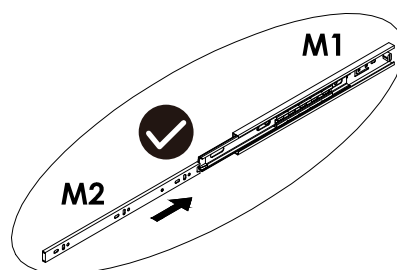
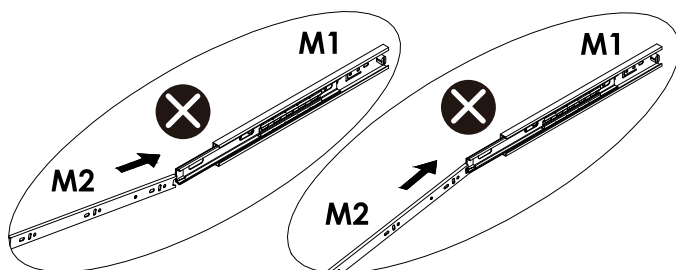


EN: 1, Drawers must be **horizontally put into** the cabinet
2, Make sure both side sliders **match well** to avoid damage

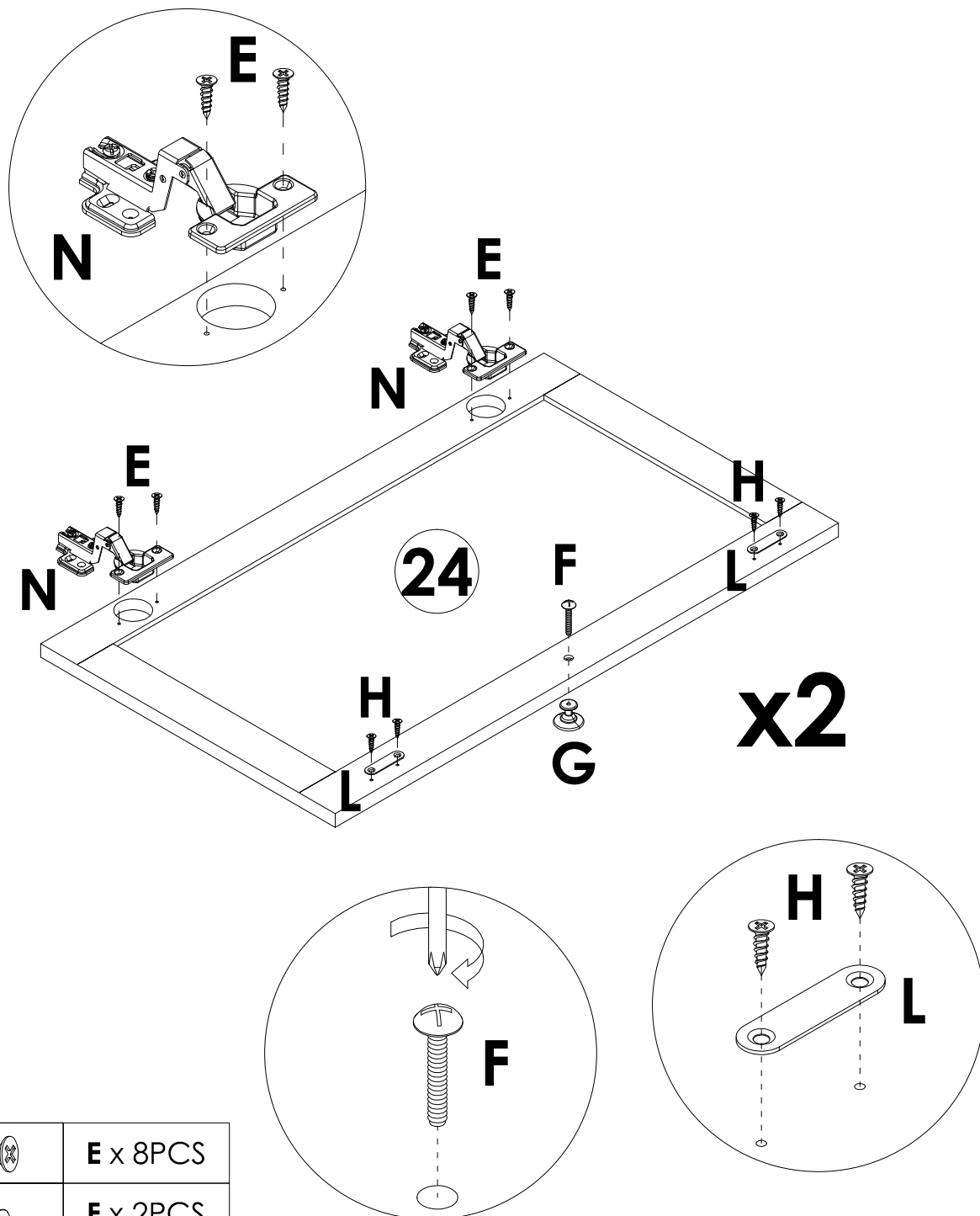
DE: 1, Die Schubladen müssen **horizontal in den Shrank** eingesetzt werden
2, Stellen Sie sicher, dass beide Laufschiene **gut zusammenpassen**, um Schäden zu vermeiden


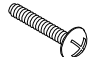


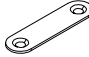

Wrong: M1 and M2 are not be horizontally placed and pushed

Right: Push M1 and M2 horizontally until you hear a "click"

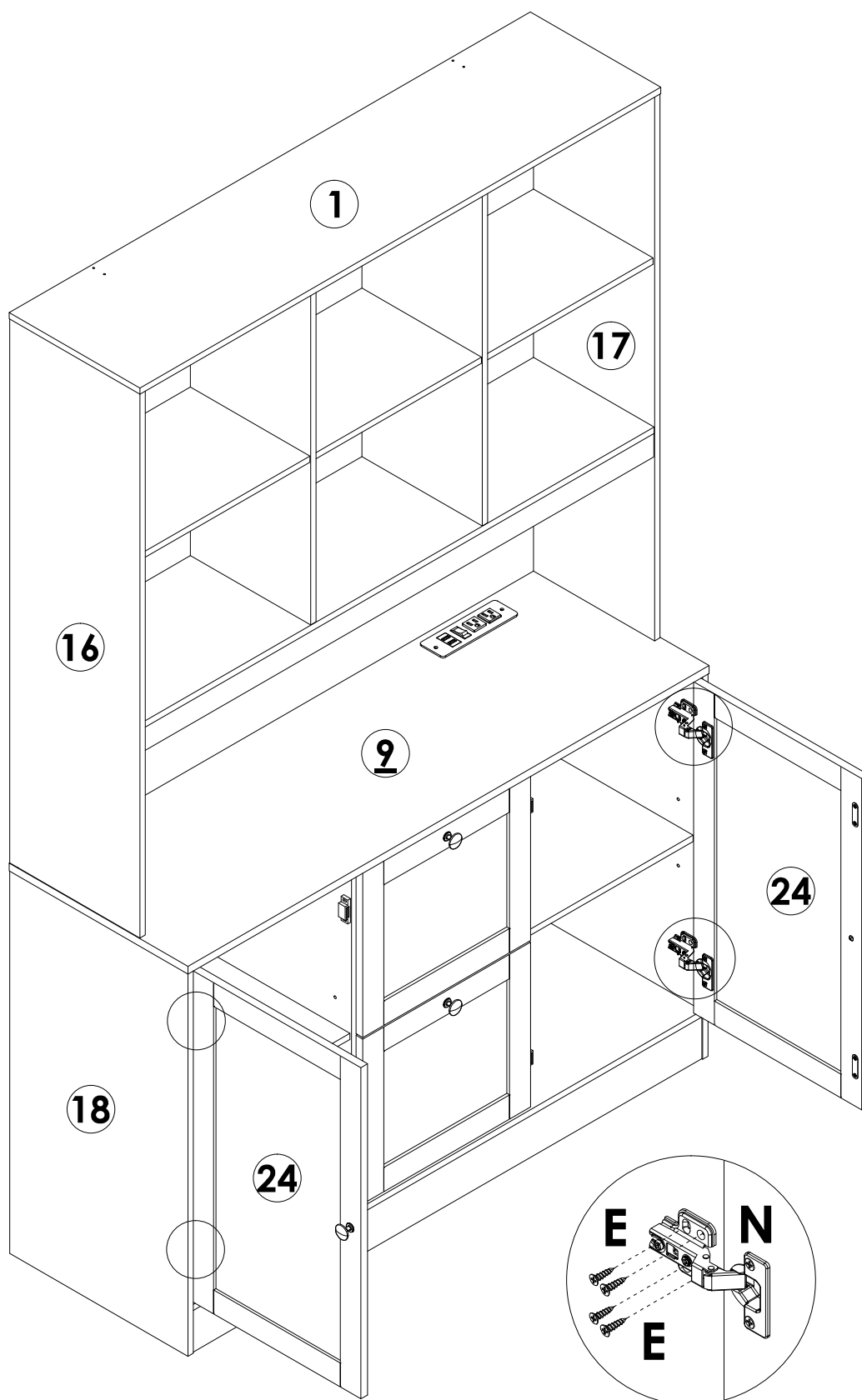


STEP 42



	E x 8PCS
	F x 2PCS
	G x 2PCS
	H x 8PCS
	L x 4PCS
	N x 4PCS

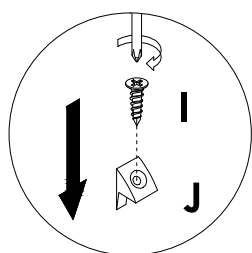
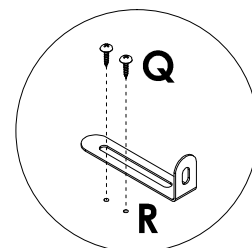
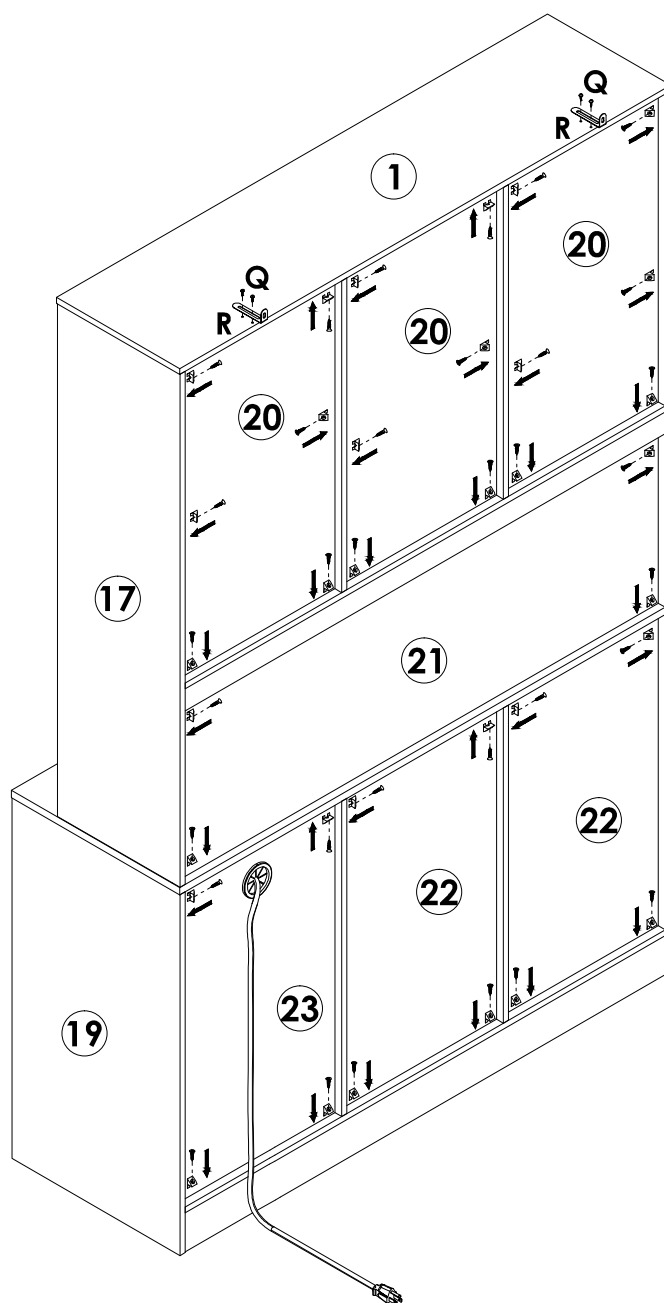
STEP 43







E x 16PCS

STEP 44

Use the " Q " screw to lock the " R " part on the back of the " ① " board.



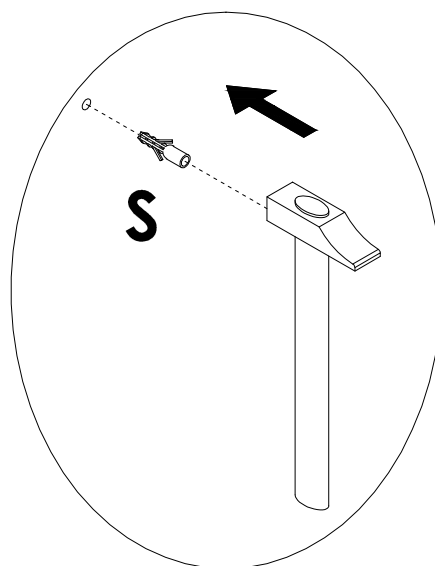
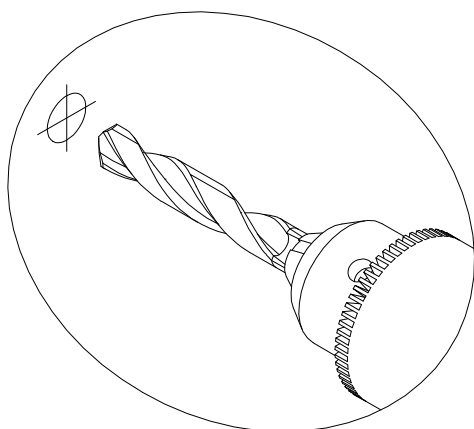
	I x 34PCS
	J x 34PCS
	Q x 4PCS
	R x 2PCS

Assembly Steps(EN) / Montageschritte(DE)

STEP 45

Drill 2 holes on the wall at the required position for anti-falling device installation.

WALL

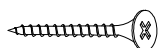
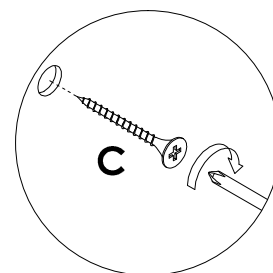
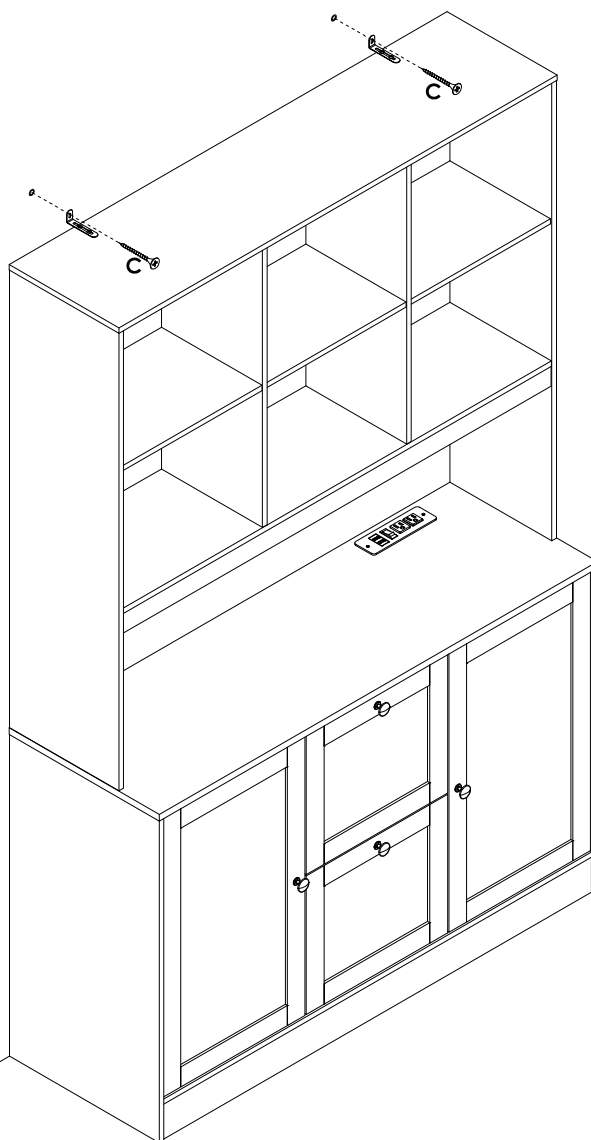


S x 2PCS

STEP 46

Move the cabinet to the required position, use the " C " long screw to fix the cabinet to the wall.

WALL

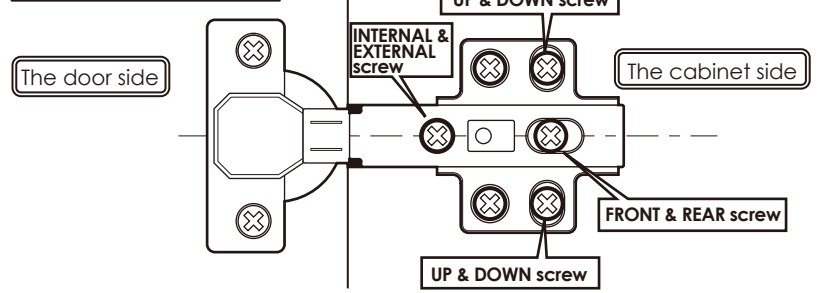


C x 2PCS

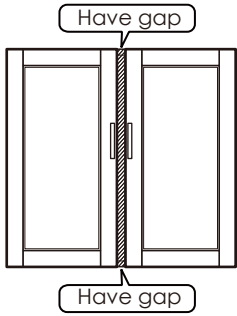
The ways to adjust the door

- Before adjusting the hinge, please check whether the cabinet is skewed.
- If the skew can not be repaired, please remove the anti-tipping device first, then adjust the cabinet to vertical position.
- Please adjust the hinge with the door open.
- Please operate it with more than 2 people, one person holds the door and the other one adjusts the screw.

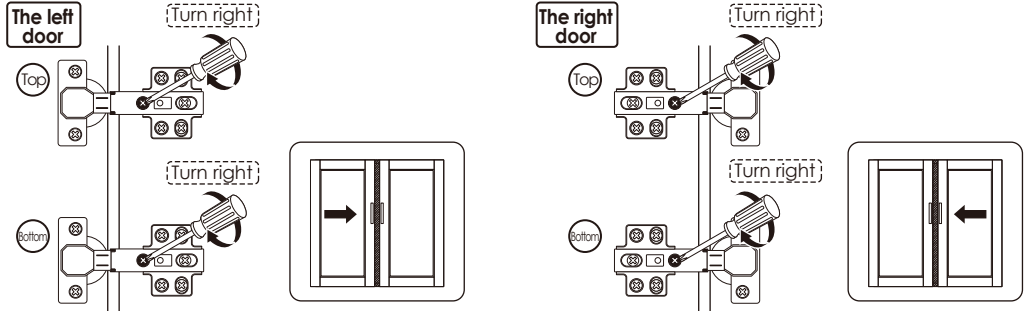
Components Name



Obvious gaps between doors or Doors don't look closed



- 1 Turn "internal & external screw" to the right can make the door approach inside. Please adjust the doors little by little.



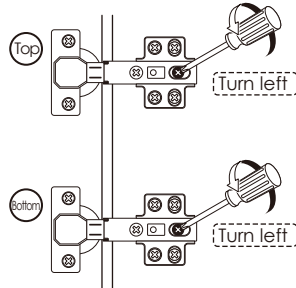
※ If the 2 doors are overlap, please turn the "internal & external screw" to the left.

When door is crooked



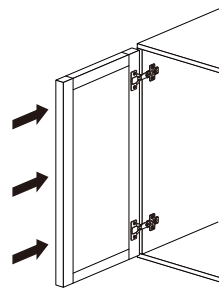
Please take the following steps to adjust first.

- 1 Rotate the "front and rear screws" to the left

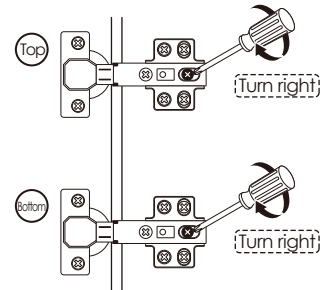


※ After adjusting the "front and rear screw", the door still does not change, please turn the "internal & external screw" to the right slightly.

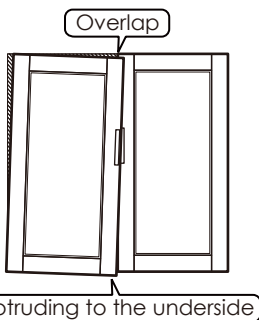
- 2 Push the door to the cabinet



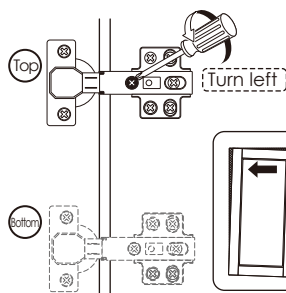
- 3 Rotate the "front and rear screws" to the right



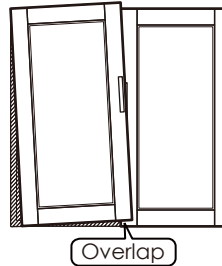
When door is leaning



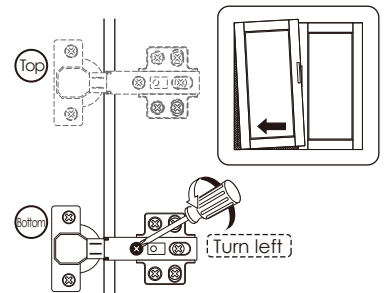
- 1 Turn "internal & external screw" to the left can make the top of the door tilted outward.



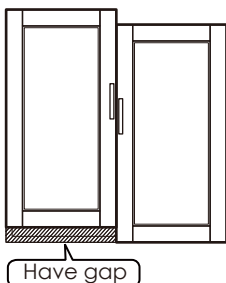
Protruding to the upside



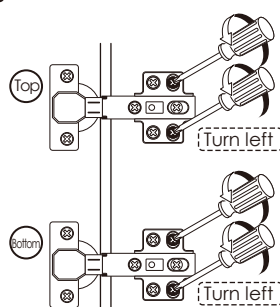
- 1 Turn "internal & external screw" to the left can make the bottom of the door tilted outward.



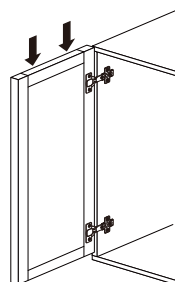
When the door is higher on top



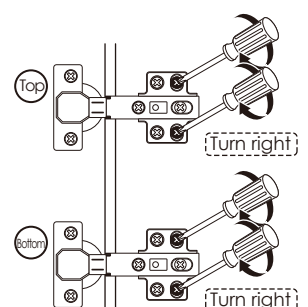
- 1 Turn "up & down screw" to the left



- 2 Lower the door's height so that 2 doors are of the same height.



- 3 Turn "up & down screw" to the right



※ If the door is lower on bottom, please lift up the left door slightly on step 2

WARNING



Children have died from furniture tipover. To reduce the risk of furniture tipover:

- **ALWAYS** install Anti-tip device provided.
- **NEVER** put a TV on this product.
- **NEVER** allow children to stand, climb or hang on any drawers, doors, or shelves.
- **NEVER** open more than one drawer at a time.
- Place heaviest items in the lowest drawers.

***This is a permanent label.
Do not remove!***