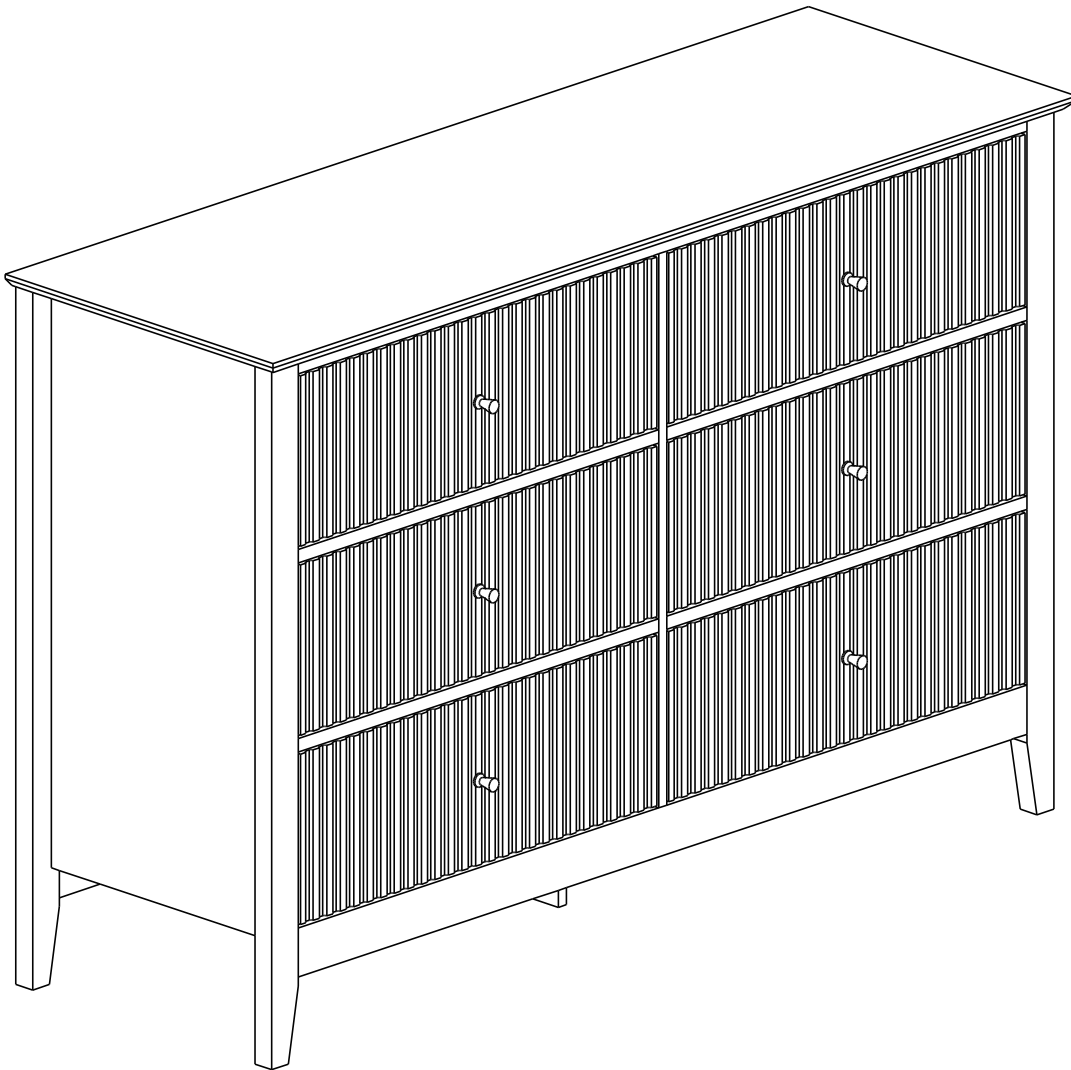


# OWNER'S MANUAL

---



# Contact Us

If you have any questions,  
Please contact customer service.

# SAFETY PRECAUTIONS

---

## Before You Start

- ★ Please take the time to carefully read through the whole of these instructions before you commence.
  - ★ Unpack, inspect and check off all of the contents. If there are any defective or missing parts after unpacking, please cease assembly and get in contact with us immediately.
  - ★ Separate and count all your parts and hardware.
  - ★ Have the following tools: Flat Head Screwdriver, #2 Phillips Head Screwdriver and Hammer
- 

## WARNING

- ★ Do not stand or sit on the product.
  - ★ Children and pets should be kept from your assembly area if possible. Supervise children and pets if they are in the assembly area.
  - ★ Never touch with sharp objects or corrosive chemicals, which may damage the surface of the item.
  - ★ Do not expose product to direct sunlight or rain; and do not put it in a humid place.
- 

## CAUTION

- ★ This item is heavy. Please handle with care. Two or more people are required for this assembly.
- ★ It would be sensible to lay a sheet or blanket on the floor where you intend to work to avoid scratching this product and to protect your floor.
- ★ Assemble the product as close to its intended final position in the room as possible.
- ★ There may be some odour after unpacking the parcel, please put this item in a ventilated place for a few days and the odour will dissipate.
- ★ If using a power drill or power screwdriver for screwing, please be aware of to slow down and stop when screw is tight.
- ★ Failure to do so may result in stripping the screw.

# SAFETY PRECAUTIONS

## Wall Mounting & Fixing Guide

**NOTE: Supplied wall plugs are only suitable for use in masonry walls.**

If you have any doubts about using the correct plug for your wall, please seek professional advice. Failure of the product due to using incorrect fixings is the responsibility of the installer.



### IMPORTANT:

When drilling into walls, always check for hidden wires or pipes, etc.



## Tips & Tricks

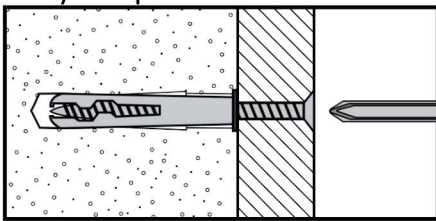
**Make sure that the hardware used is suitable for supporting your unit.**

**Please consult a qualified tradesperson if unsure.**

- ✓ If you are unsure, please select a larger screw and wall plug.
- ✓ Ensure that you use the recommended drill bit to match the wall plug and hole size.
- ✓ Take extra care when drilling high walls, ceiling and ceramic tiles. Ensure wall plugs are inserted beyond the thickness of the ceramic tiles to avoid splitting or cracking.
- ✓ Ensure that wall plugs are well fitted and are a tight fit in the drilled hole.

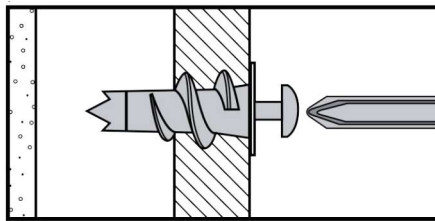
## Types Of Walls

Use one of the following types of wall plug (not included) if your walls are made of brick, breeze block, concrete, stone or wood. Screws may be able to be fixed directly to solid wood walls as they will provide a secure anchor point.



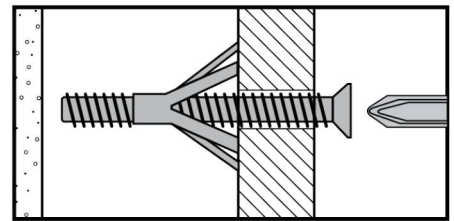
### 1. General Purpose Wall Plug

Generally, aerated blocks should not be used to support heavy loads, use a specialist fitting in this case. For light loads, general purpose wall plugs can be used.



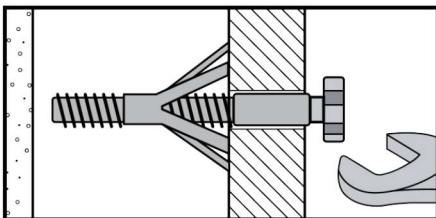
### 2. Plasterboard Wall Plug

For use when attaching light loads onto plasterboard partitions.



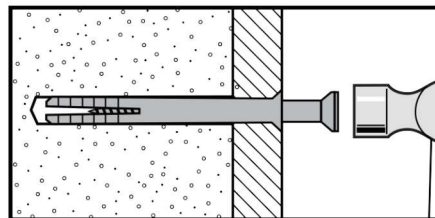
### 3. Cavity Fixing Wall Plug

For use with plasterboard partitions or hollow wooden doors.



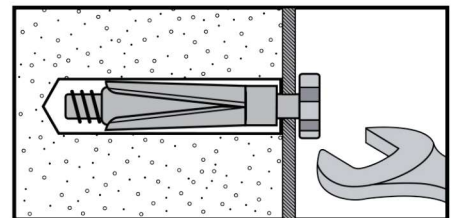
### 4. Cavity Fixing Heavy Duty Wall Plug

For use when fitting or supporting heavy loads such as shelving and wall cabinets.



### 5. Hammer Fixing Wall Plug

For use with concrete block or brick walls, or walls stuck with plasterboard. The hammer fixing allows it to be fixed to the wall rather than the plasterboard. Always check the fixing is secure to the retaining wall.

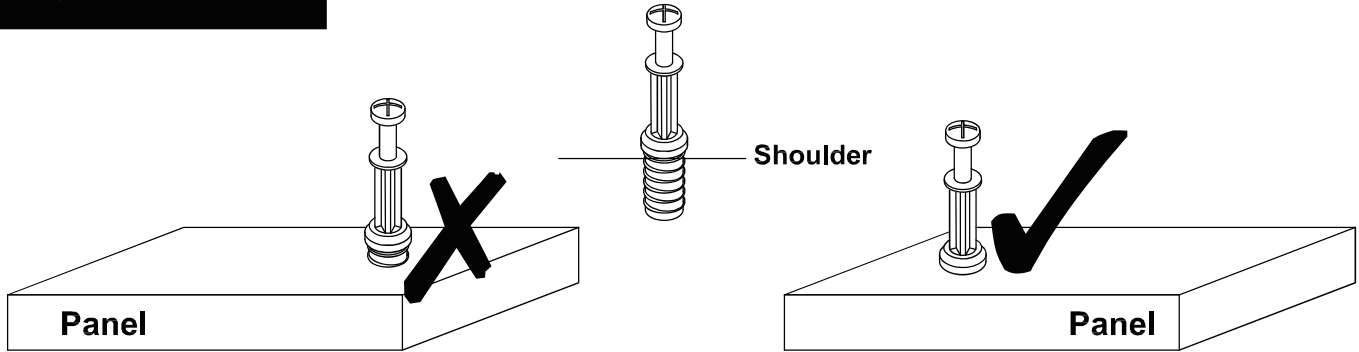


### 6. Shield Anchor Wall Plug Heavy Loads

For use with concrete or brick walls, or for use with heavier loads such as TV & HiFi speakers and satellite dishes, etc.

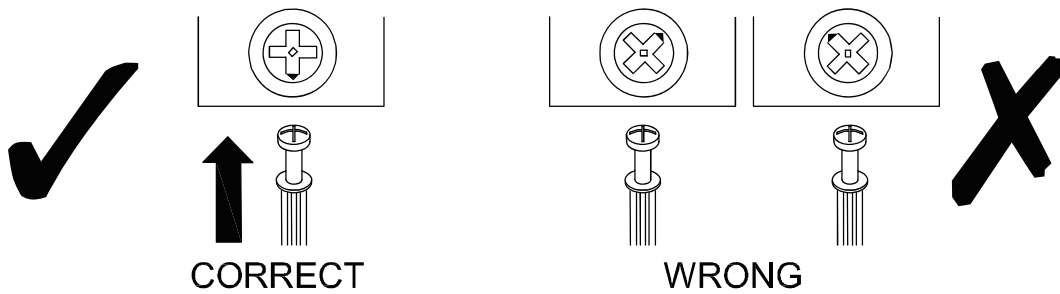
# SAFETY PRECAUTIONS

## QUICKFIT



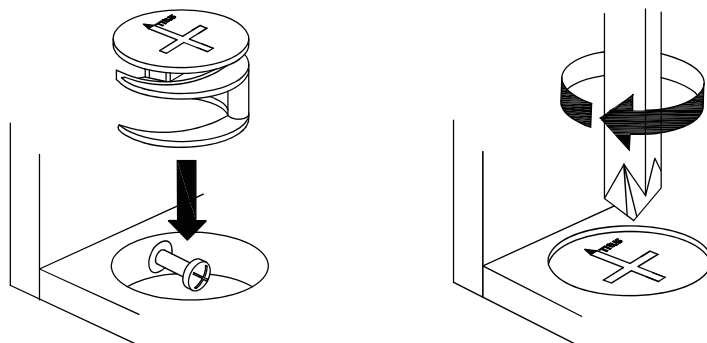
Tighten quickfit until shoulder is flush with panel. Do not overtighten or undertighten.

## CAM LOCK



When fitting cam lock, ensure starting position is correct before you insert connecting quickfit.

Quickfit head should be in the centre of the cam lock when the two panels are joined. Cam lock should be inserted before quickfit.



# PRODUCT WARRANTY INSTRUCTION

---



## Free Warranty Period:

The free warranty period starts from the product receipt date and lasts one year.



## Coverage during the Free Warranty Period:

1. If any components of the purchased product are damaged due to non-human-induced reasons natural wear and tear excluded corresponding new parts will be replaced free of charge.

2. If the entire purchased product is damaged due to non-human-induced reasons natural wear and tear excluded and cannot be further used, corresponding parts or a brand-new product will be replaced free of charge.



## Coverage after the Free Warranty Period:

After the warranty period expires, replacement components will be provided to customers at cost price for continued service.

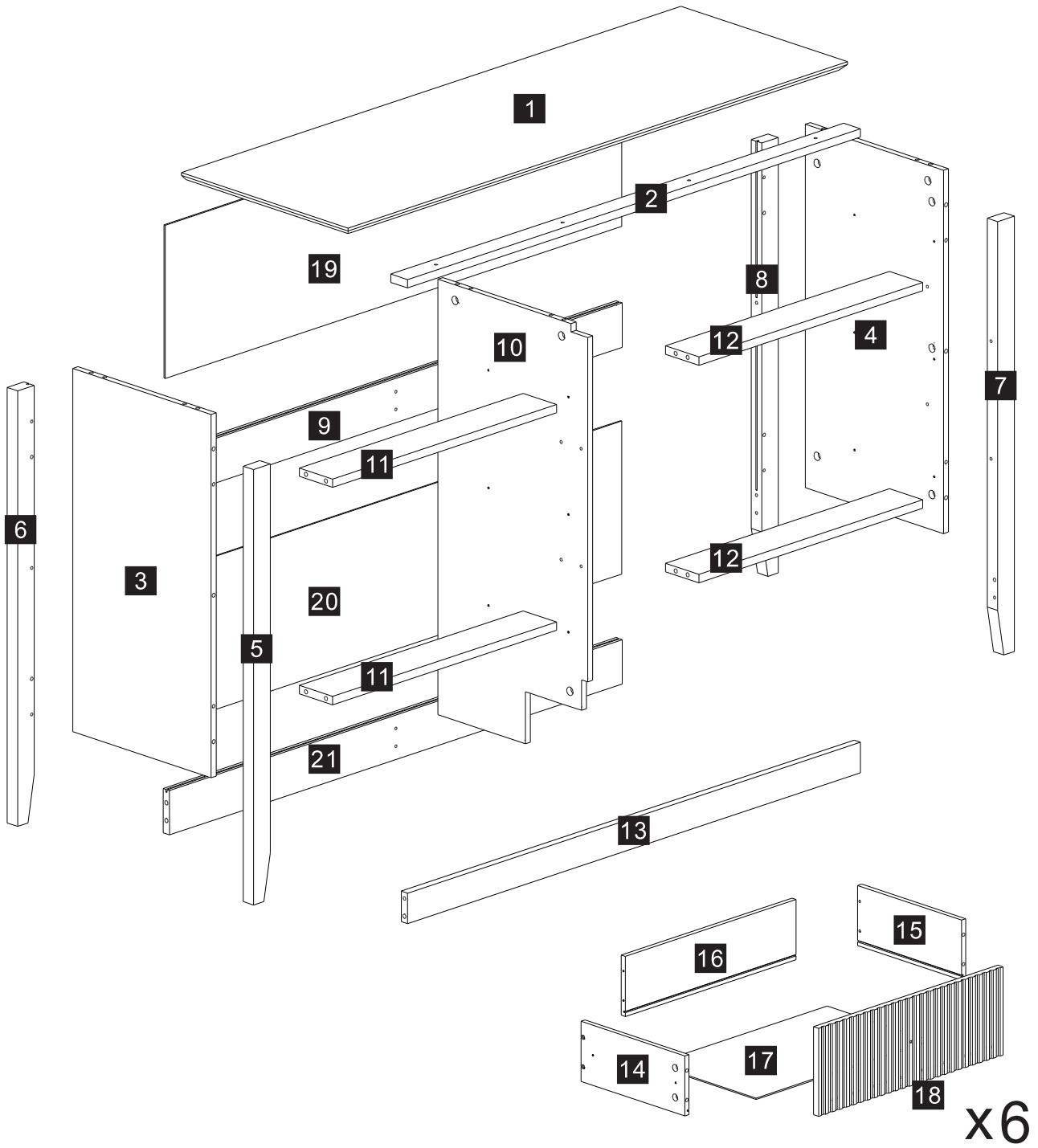


## Additional Services:

After purchasing the product, customers can consult our staff for any product-related inquiries.

---

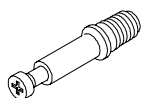
# ACCESSORIES DISPLAY



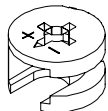
# ACCESSORIES DISPLAY

## HARDWARE LIST

**A** x69



**B** x69



**C** x16

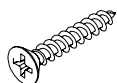


**D** x60



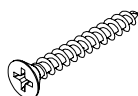
3x10mm

**E** x 4



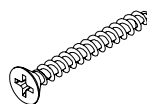
4x25mm

**F** x24



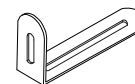
4x30mm

**G** x 6



4x35mm

**H** x 2

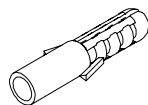


**I** x 2

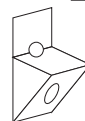


4x12mm

**J** x 2



**K** x 8



**L** x 8

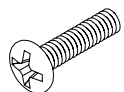


3x14mm

**M** x12



**N** x 6



4x20mm

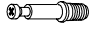
**O** x 6

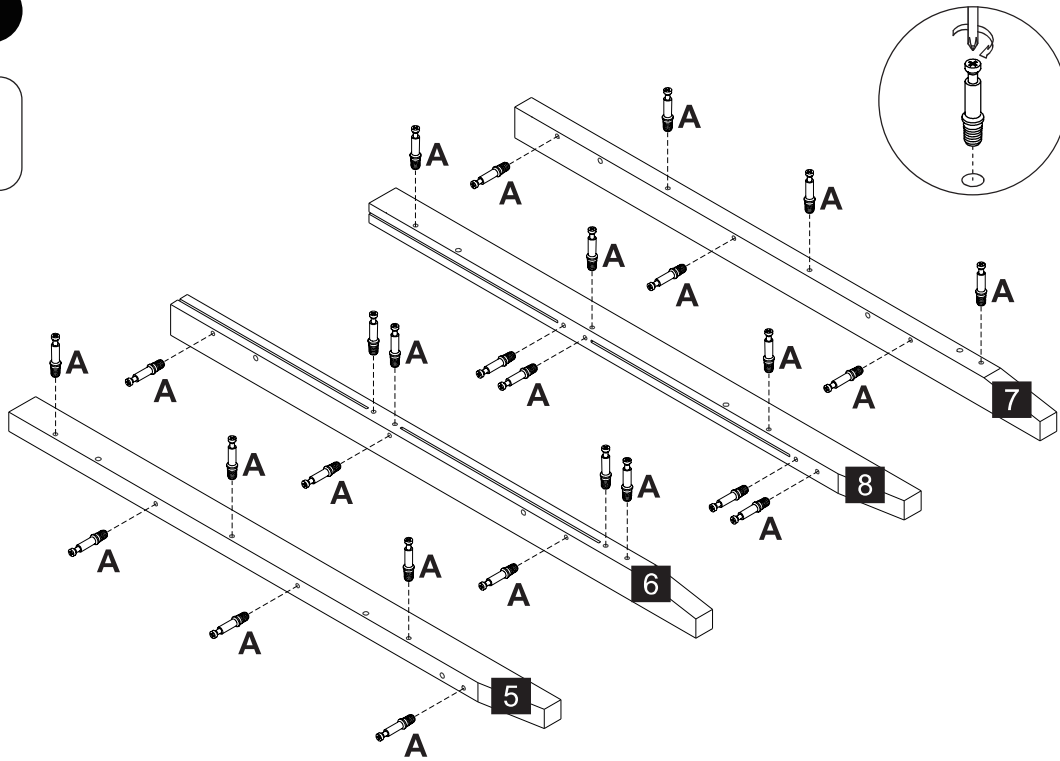


Golden

# PRODUCT ASSEMBLY


## Step 1

  
26 x A

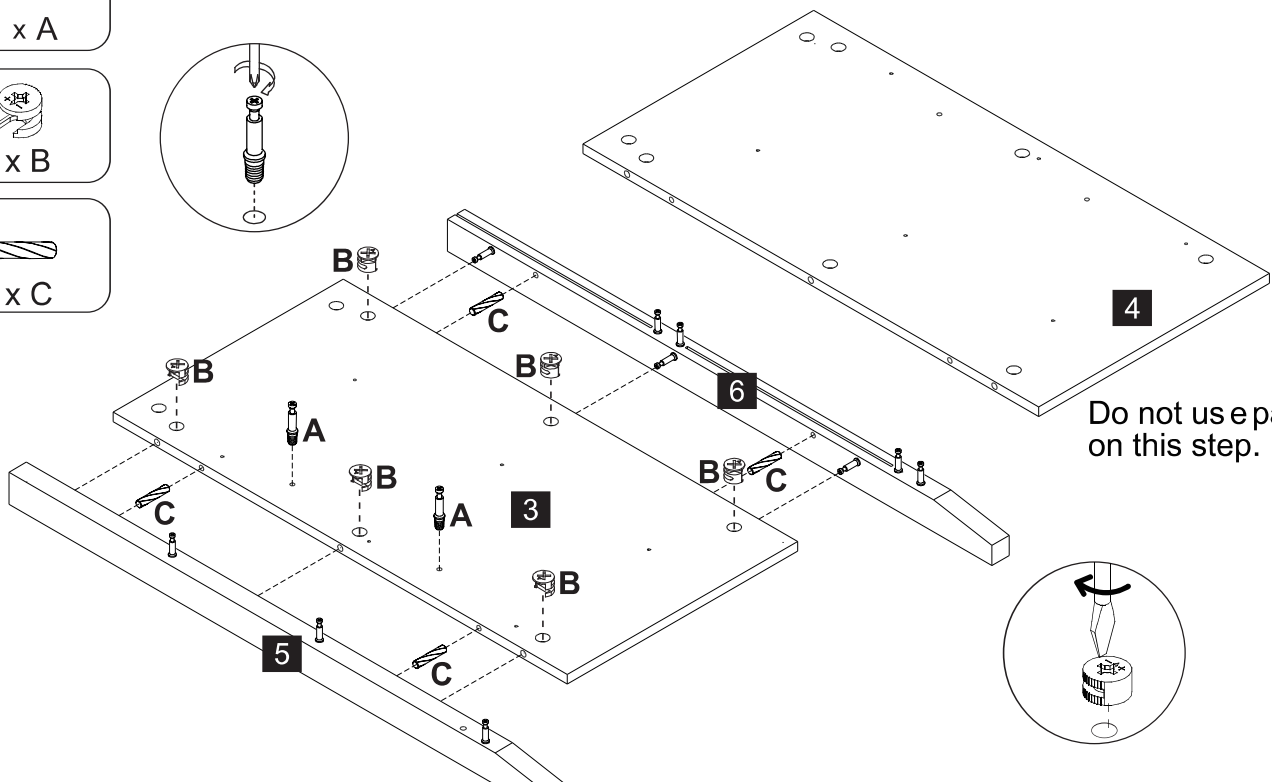


## Step 2

  
2 x A

  
6 x B

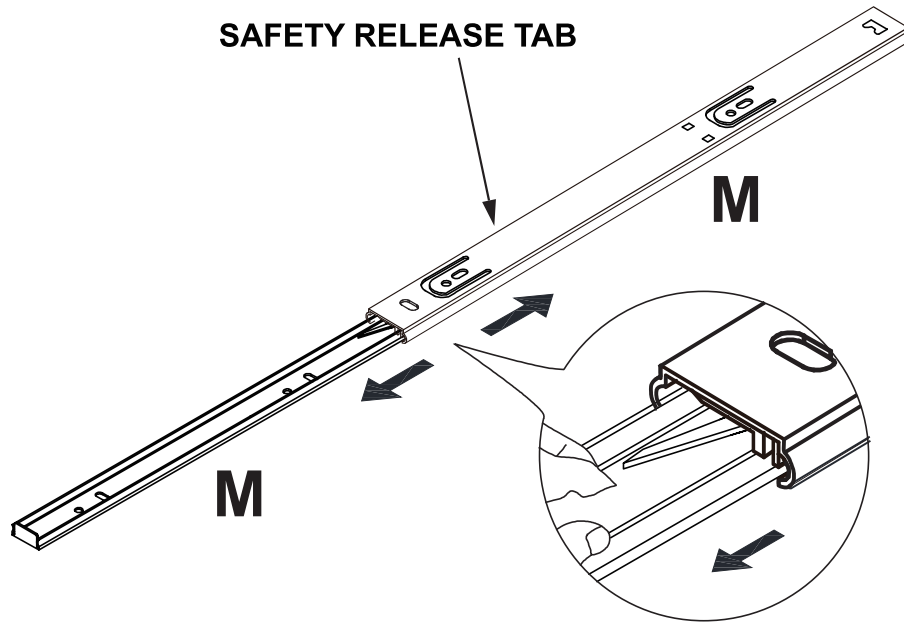
  
4 x C



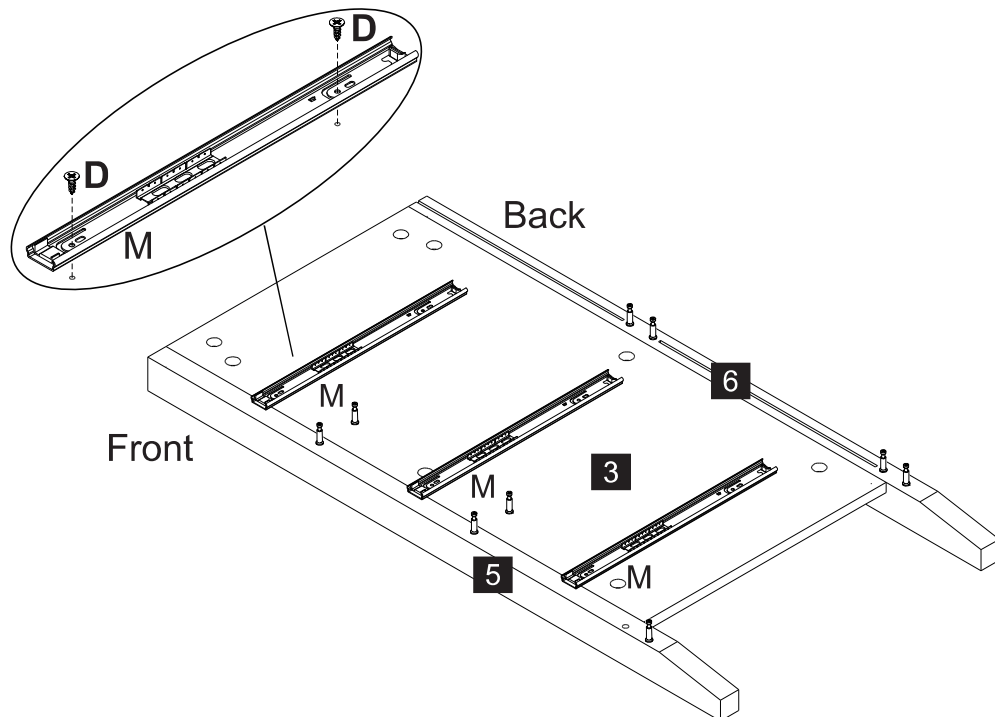
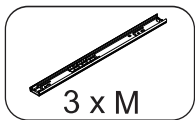
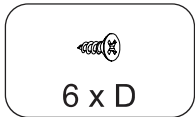
Do not use panel #4  
on this step.

# PRODUCT ASSEMBLY

## Step 3



## Step 4



# PRODUCT ASSEMBLY

## Step 5



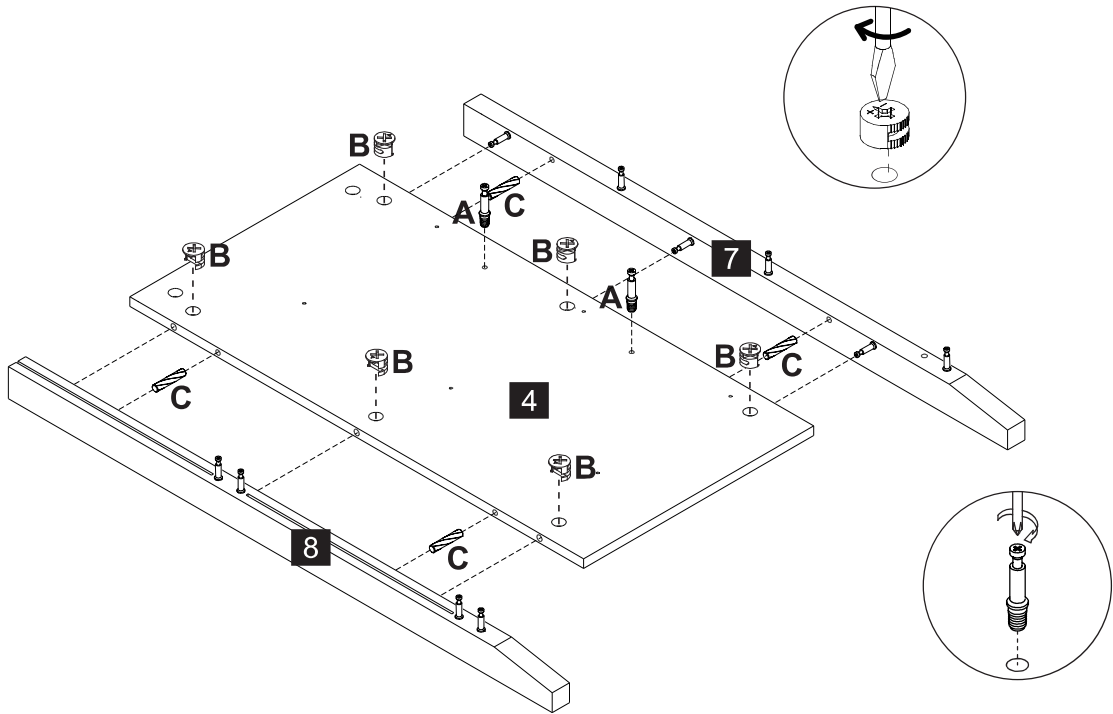
2 x A



6 x B



4 x C



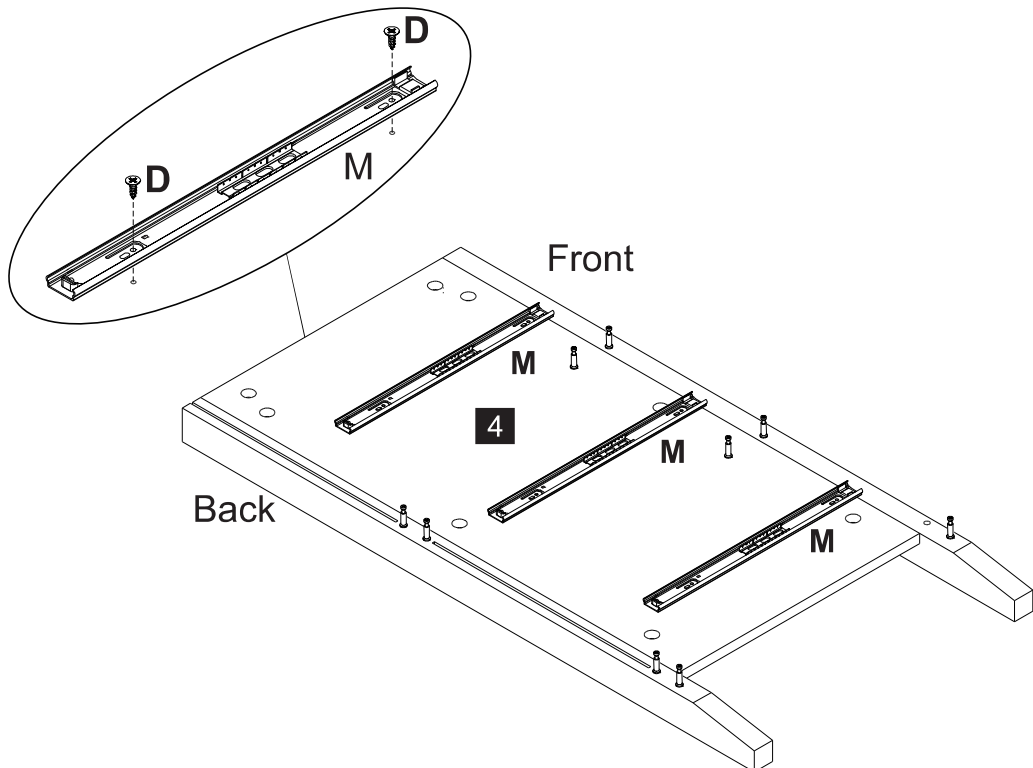
## Step 6



6 x D



3 x M

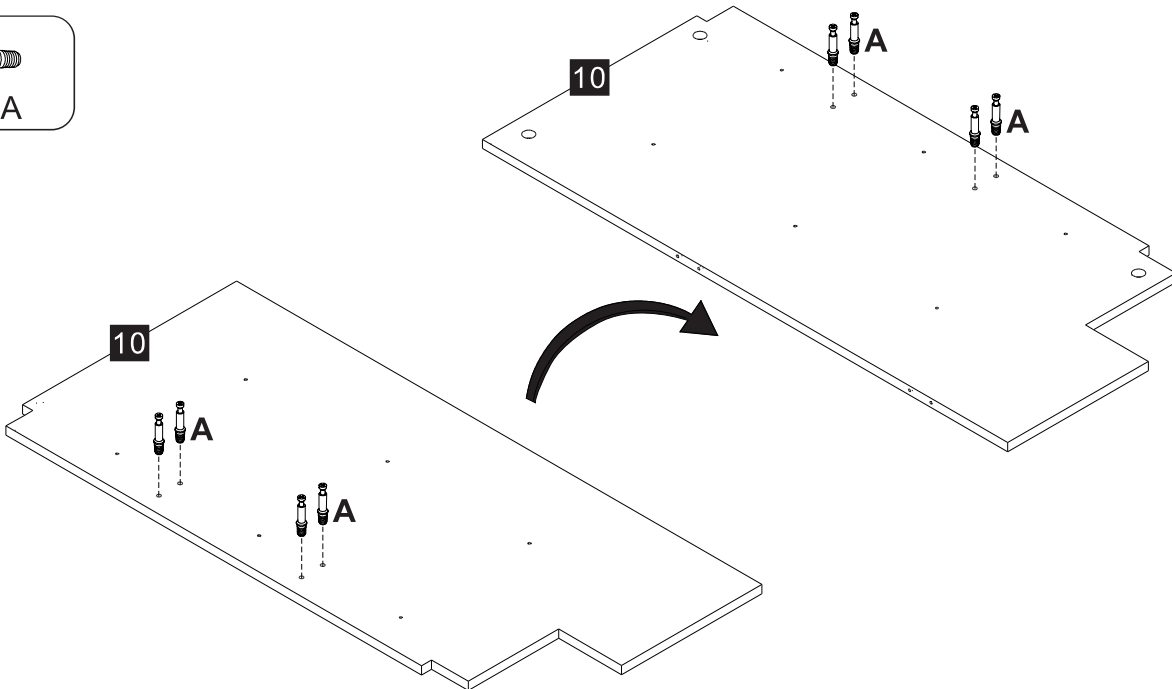


# PRODUCT ASSEMBLY

## Step 7



8 x A



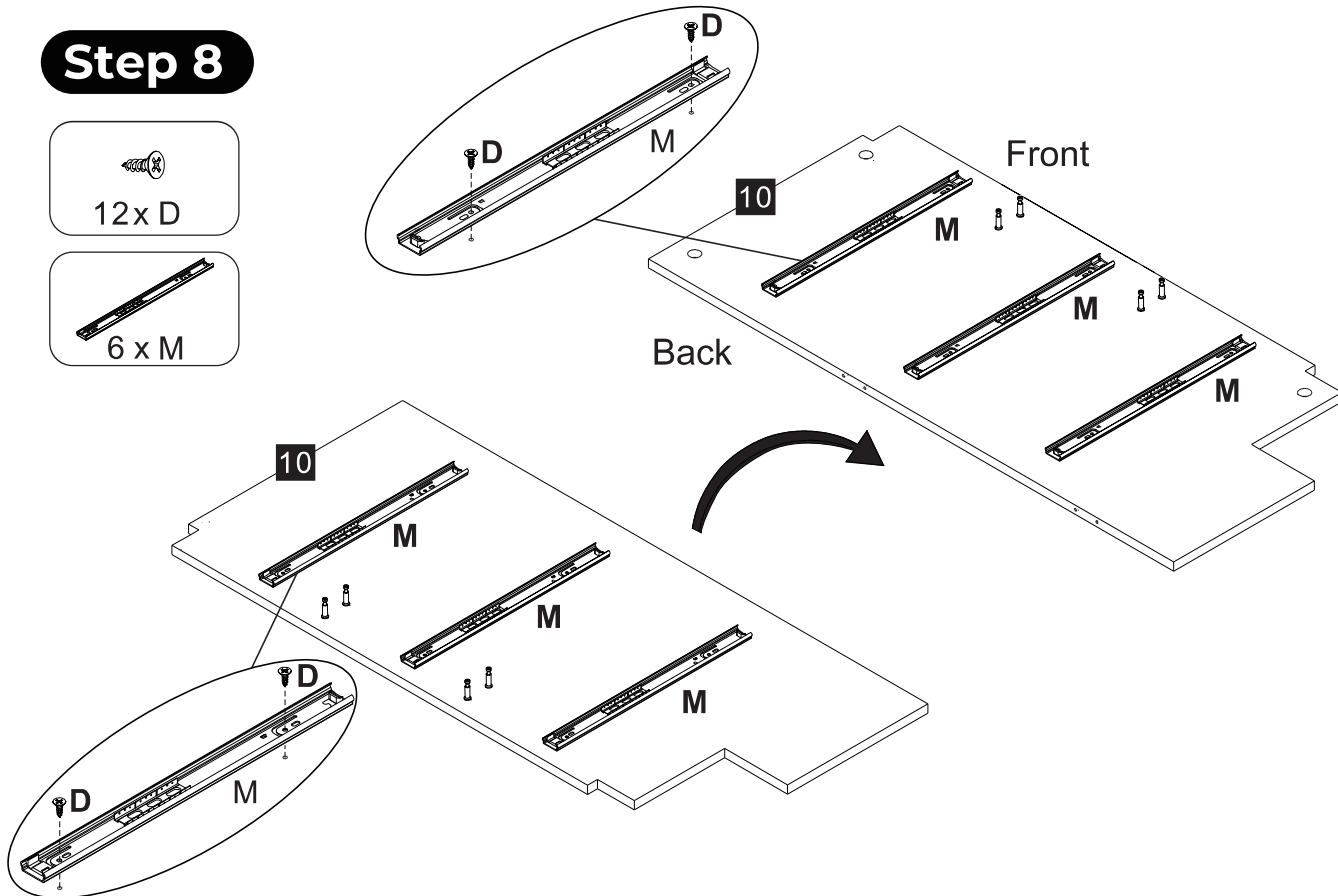
## Step 8



12 x D



6 x M

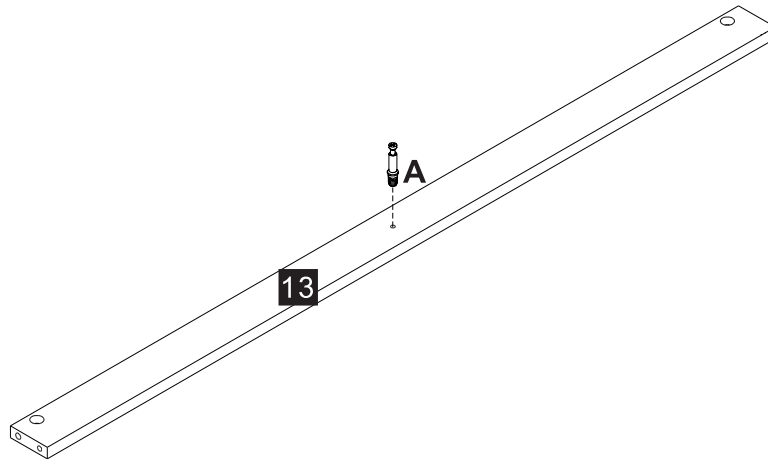


# PRODUCT ASSEMBLY

## Step 9



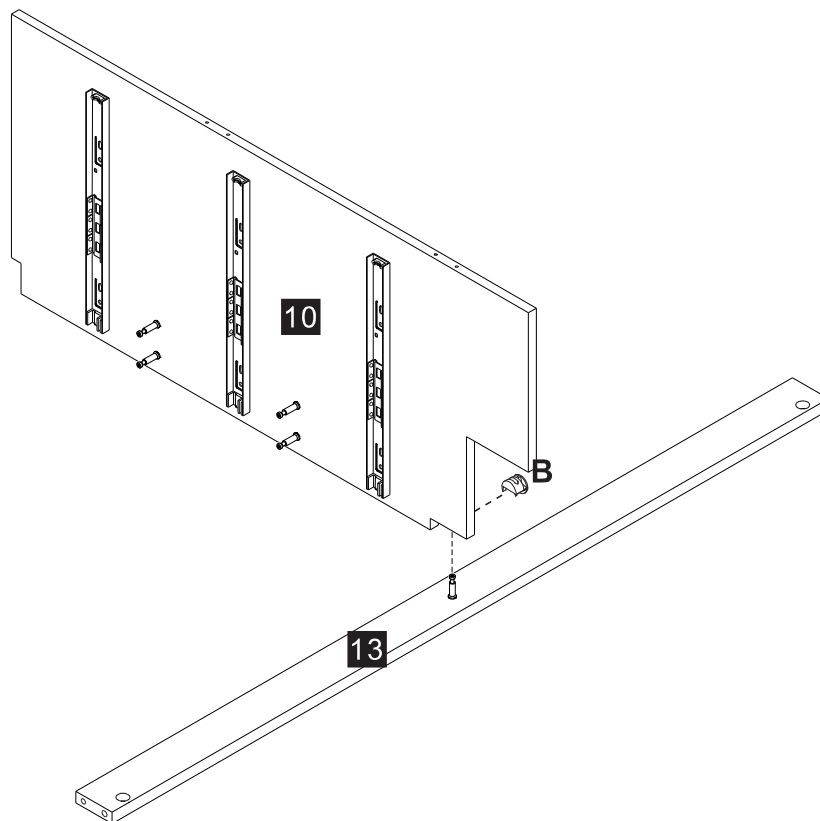
1 x A



## Step 10



1 x B

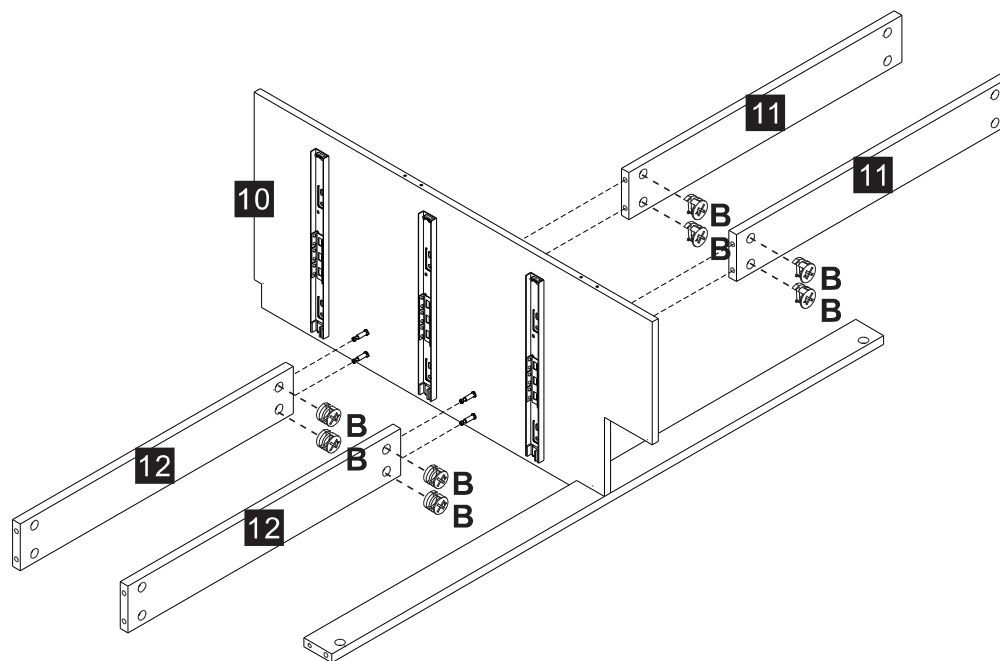


# PRODUCT ASSEMBLY

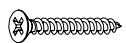
## Step 11



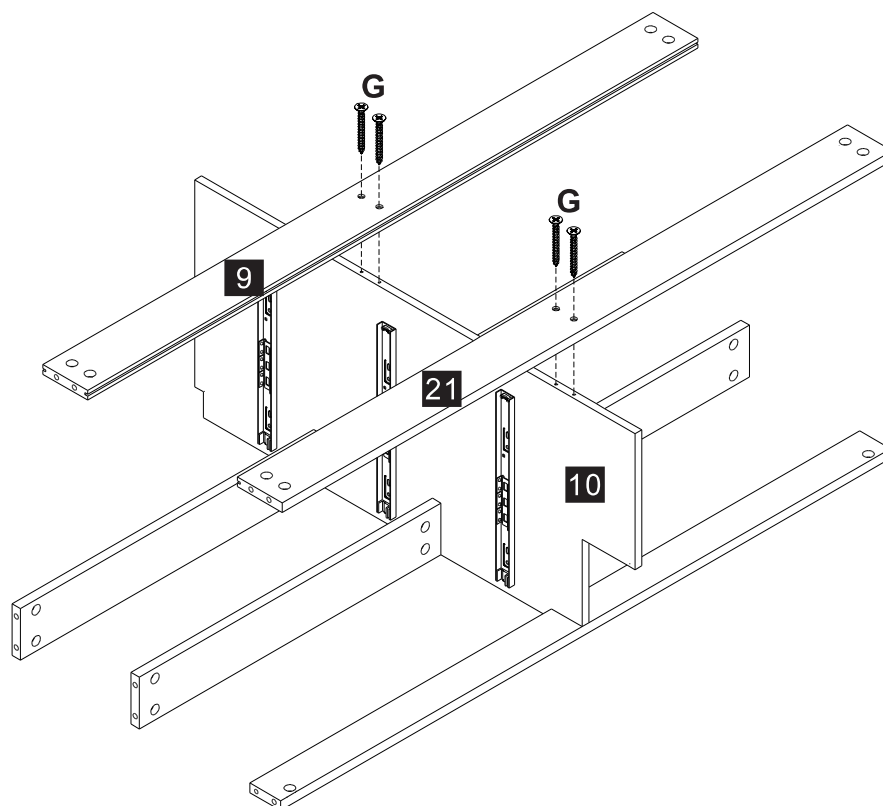
8 x B



## Step 12

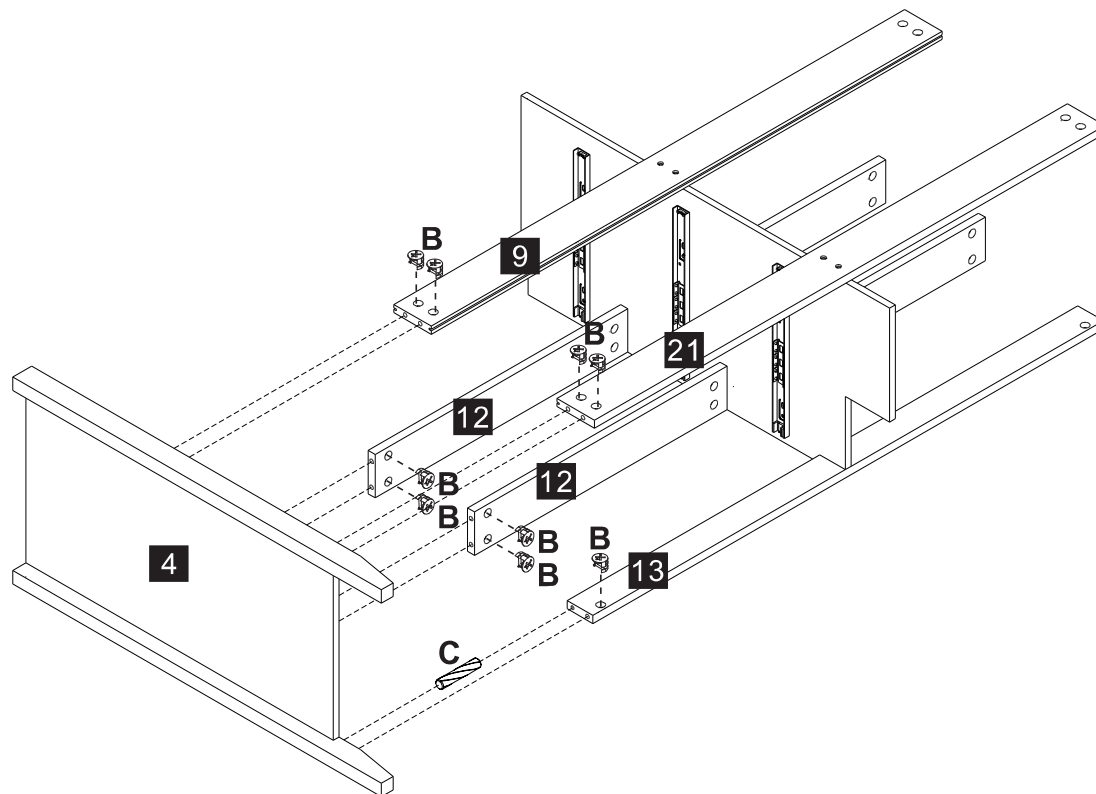
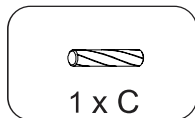
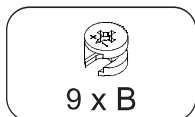


4 x G

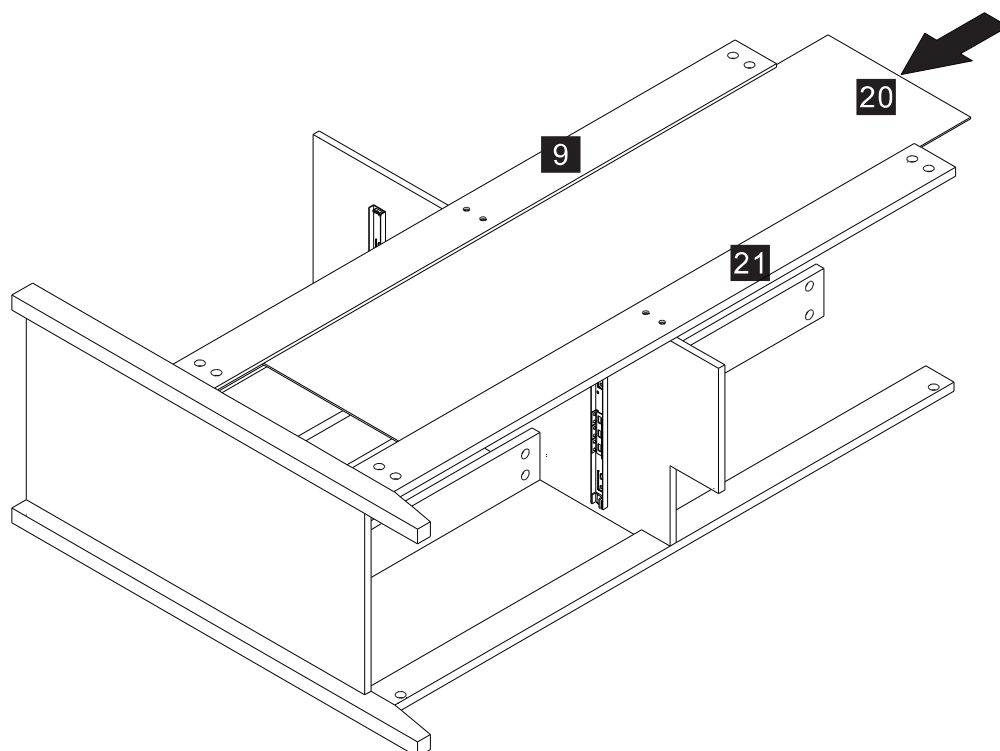


# PRODUCT ASSEMBLY

## Step 13

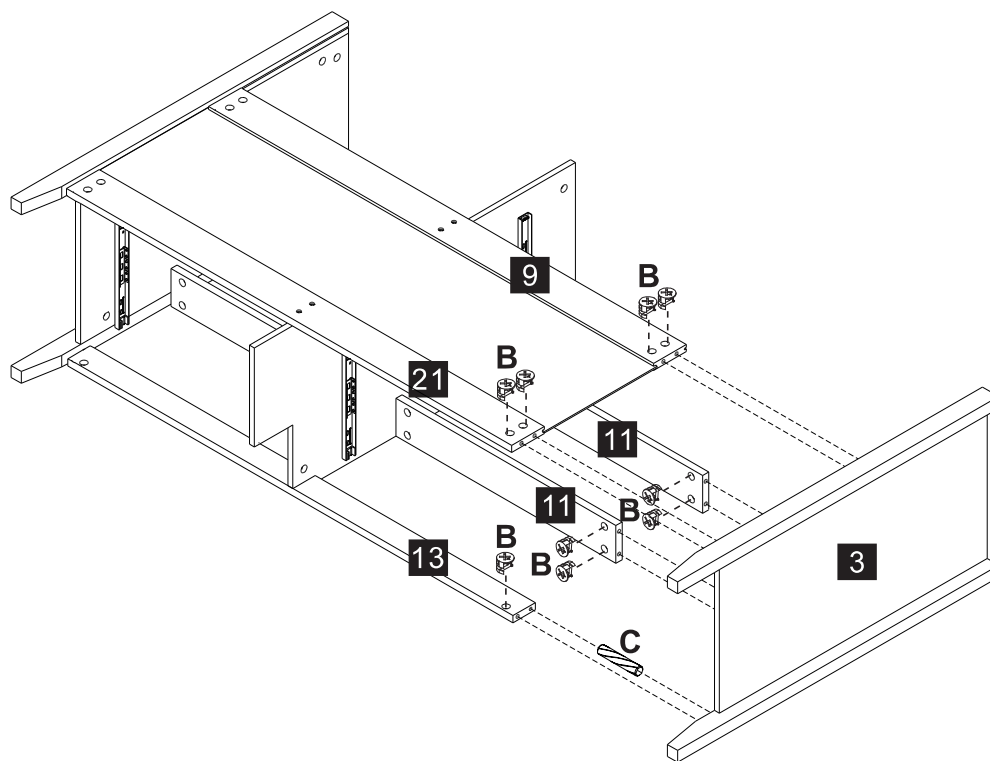
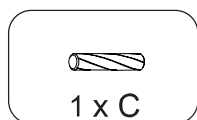
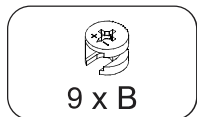


## Step 14

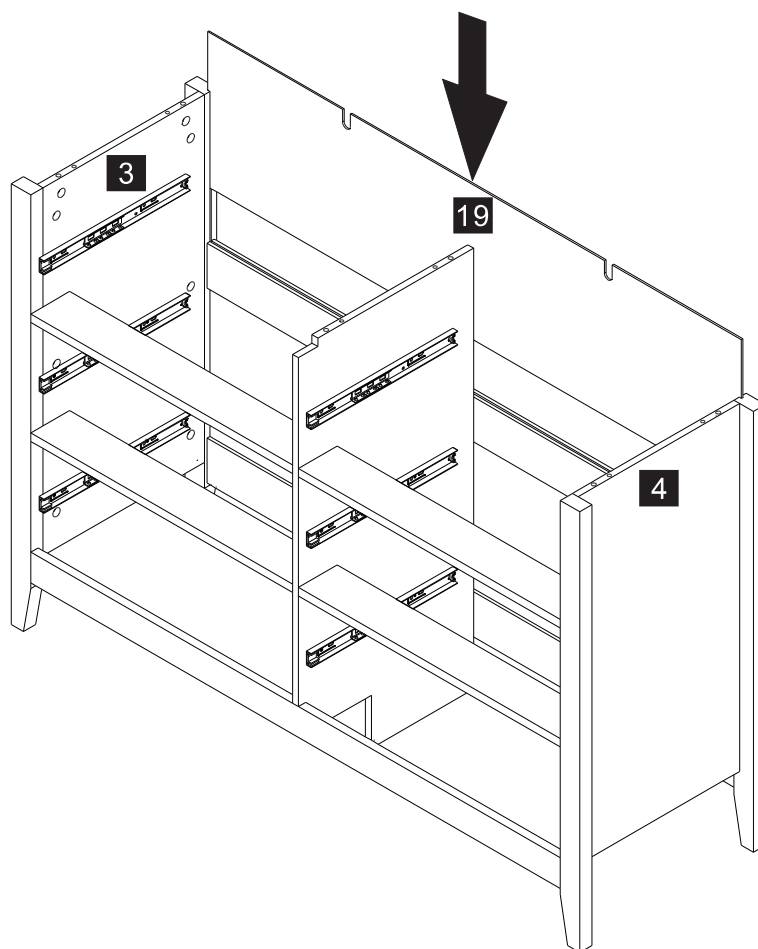


# PRODUCT ASSEMBLY

## Step 15



## Step 16

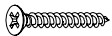


# PRODUCT ASSEMBLY

## Step 17



6 x A



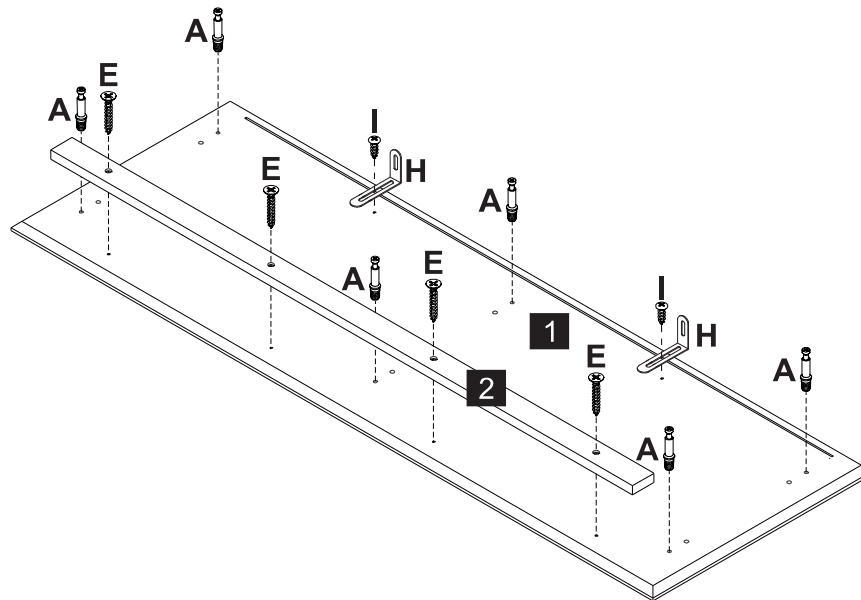
4 x E



2 x H



2 x I



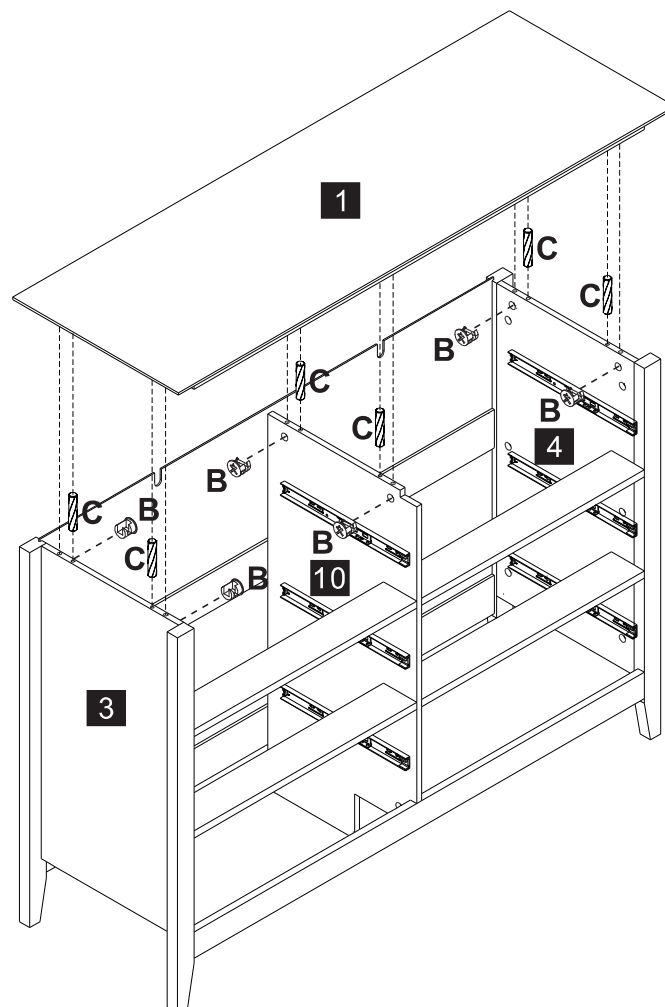
## Step 18



6 x B



6 x C



# PRODUCT ASSEMBLY

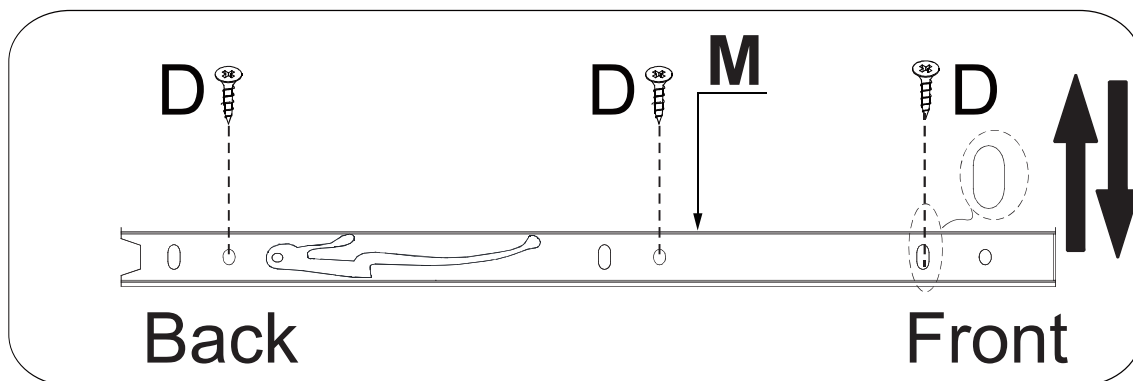
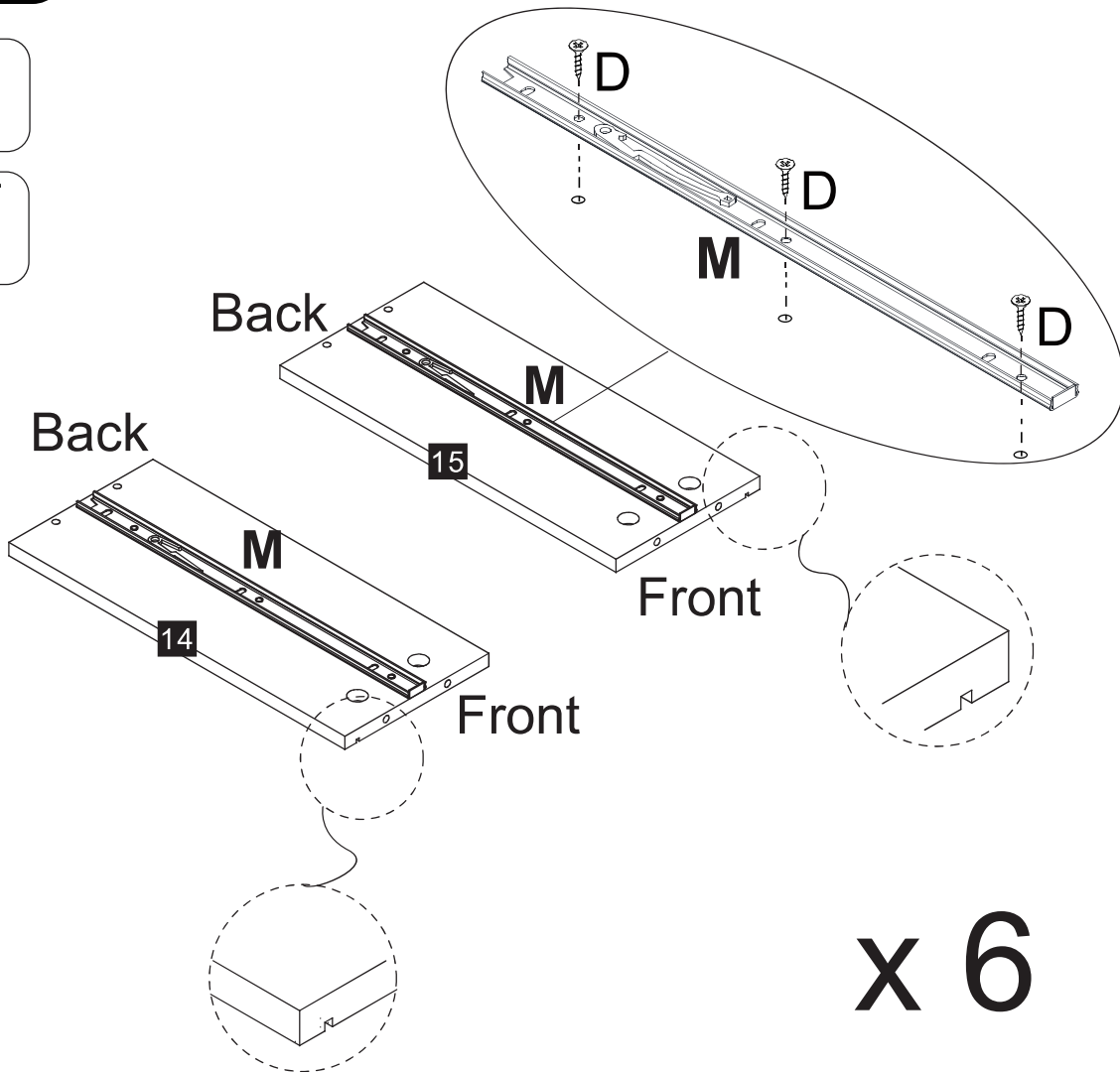
## Step 19



36 x D



12 x M

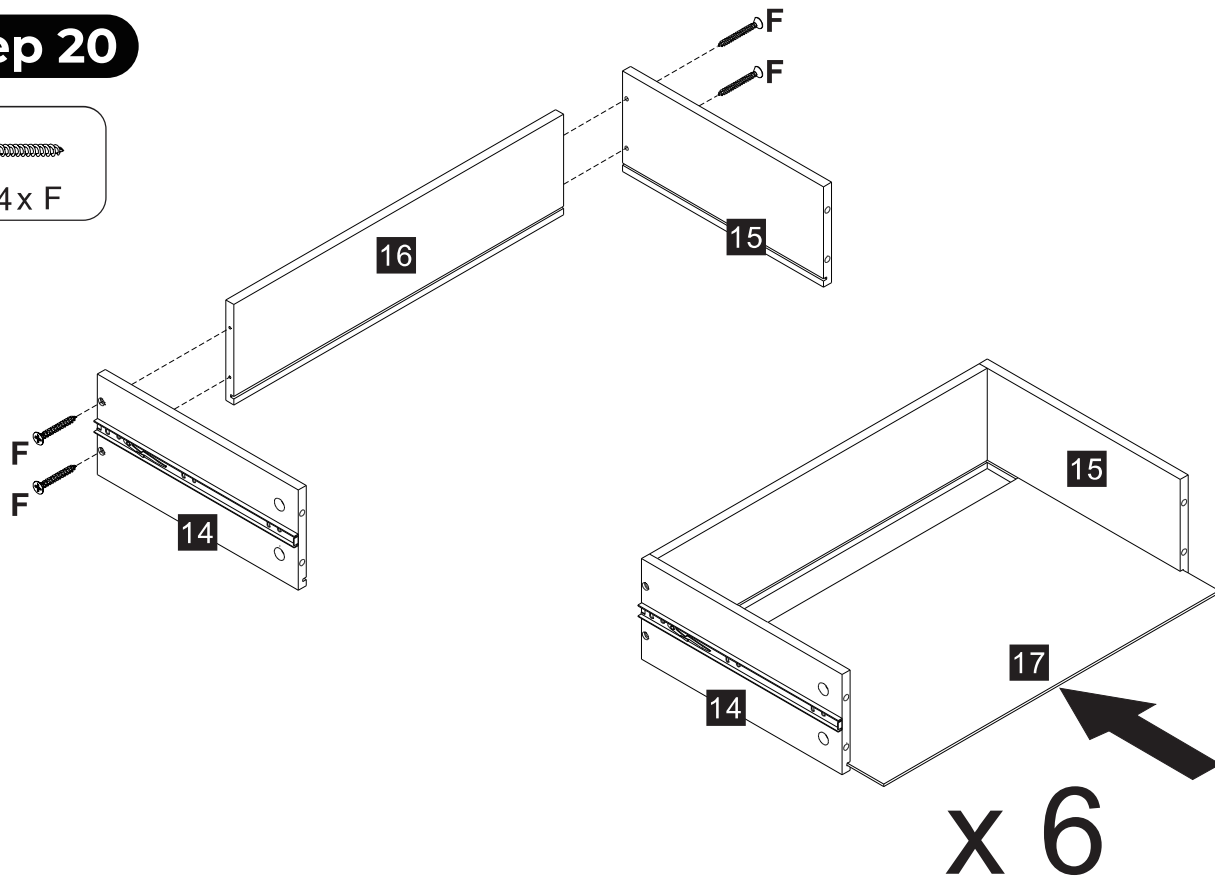
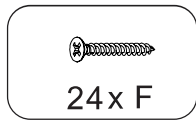


### NOTE:

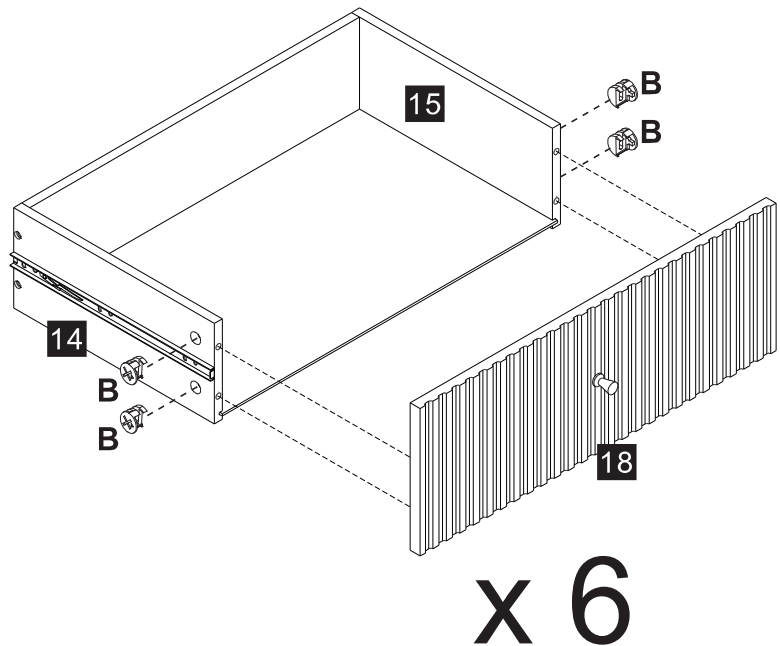
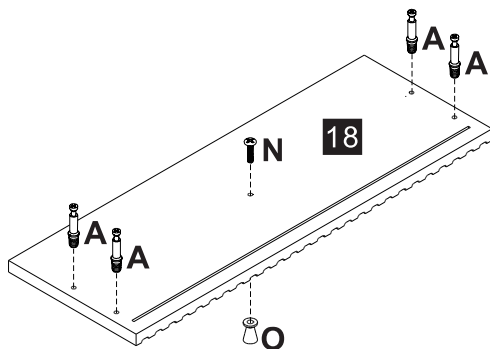
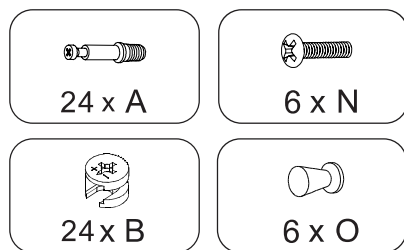
When install the drawer runners please fix screws in front and back. The front screw hole on runner is an oval shape to allow for small adjustment if you find the gaps between drawers aren't even or drawers are touching each other. Fix the middle screw after adjustment.

# PRODUCT ASSEMBLY

## Step 20



## Step 21



# PRODUCT ASSEMBLY

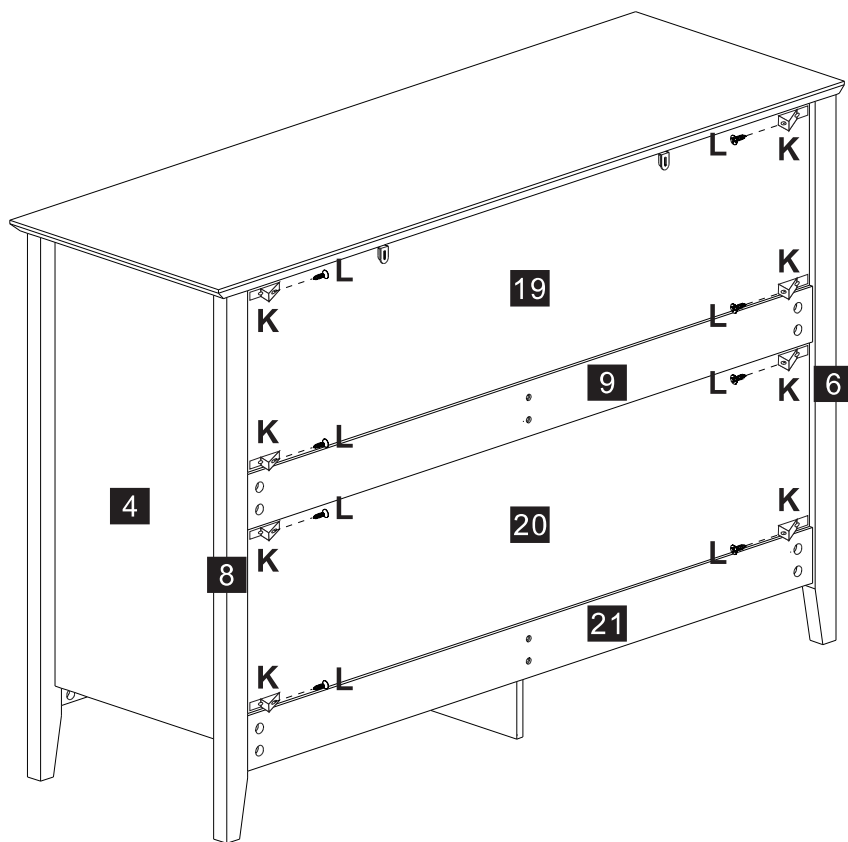
## Step 22



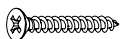
8 x K



8 x L



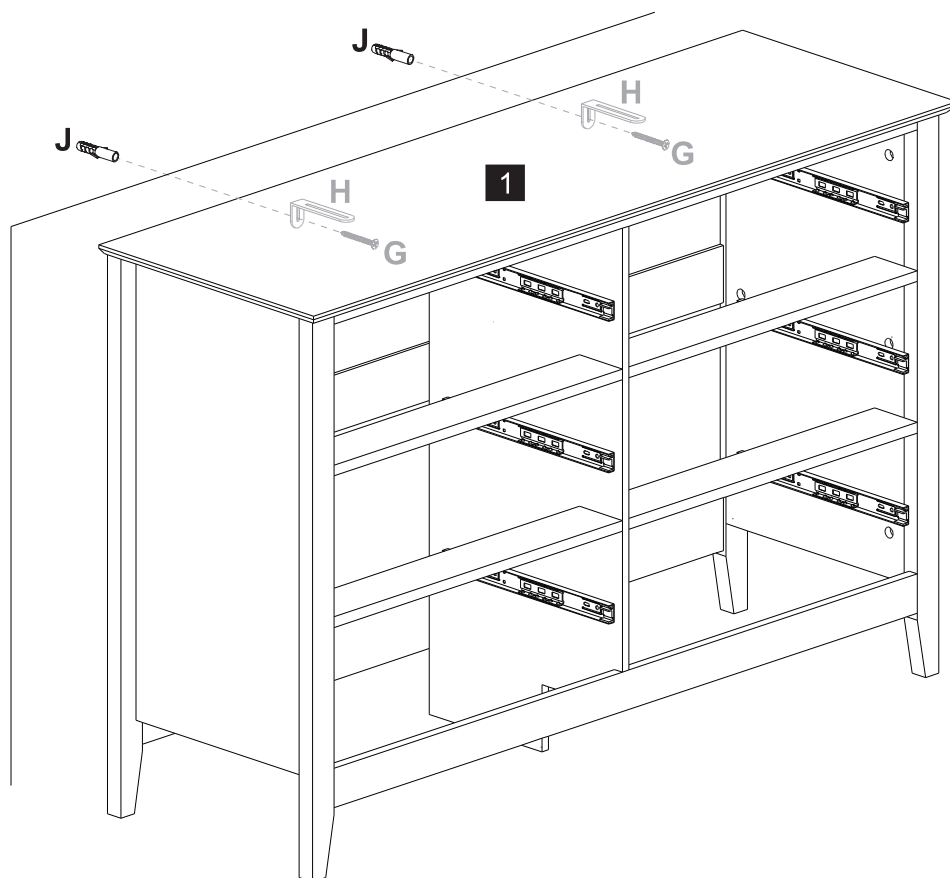
## Step 23



2 x G

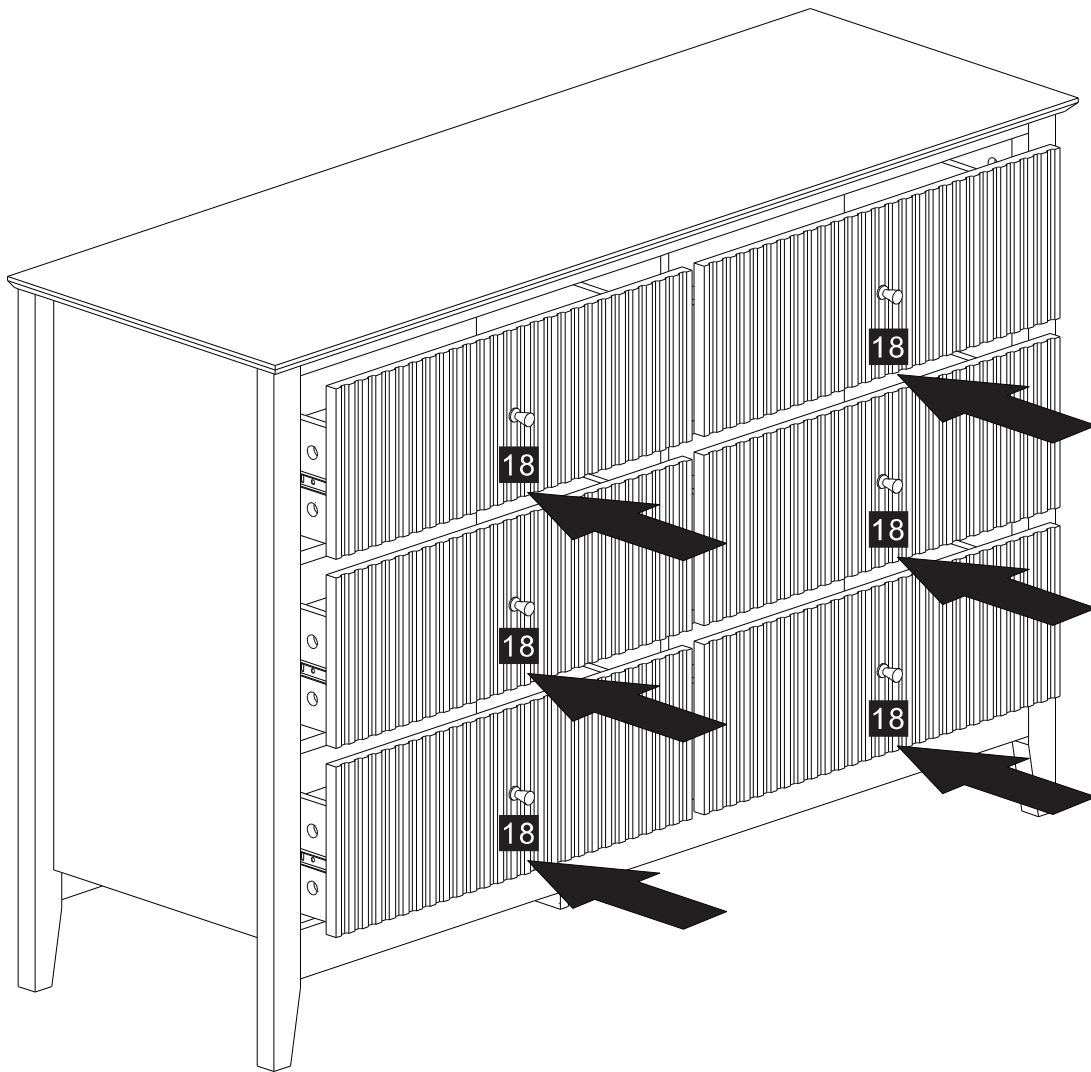


2 x J

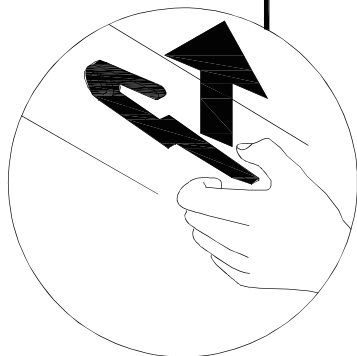
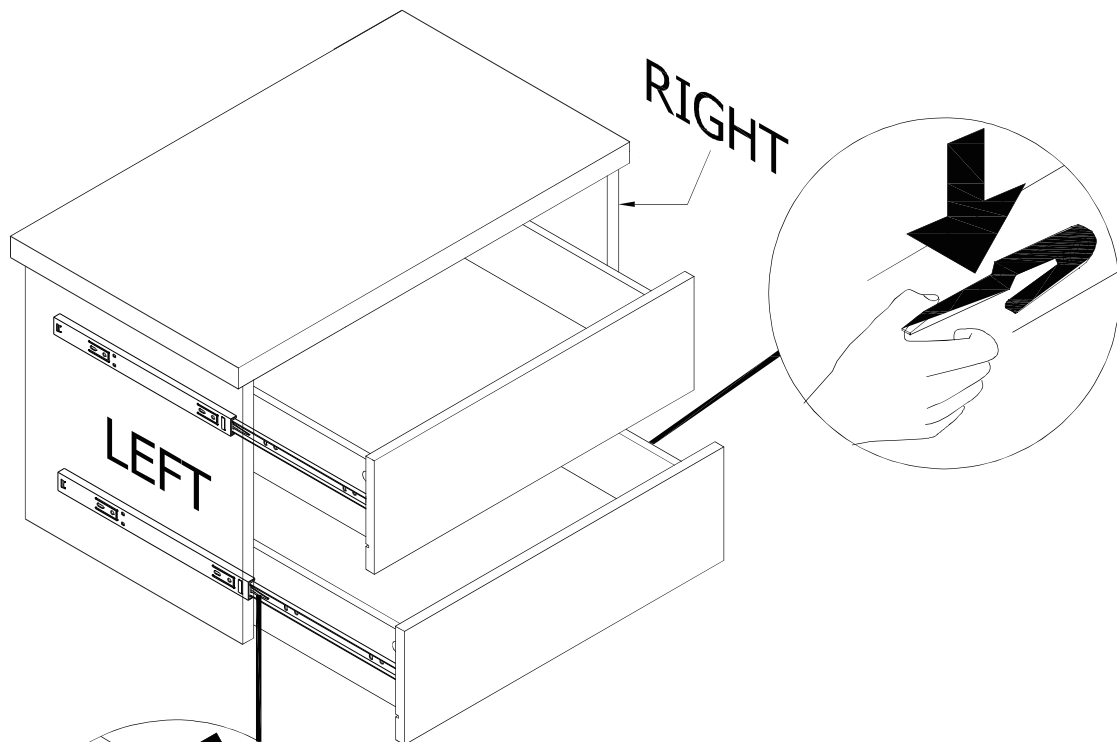


# PRODUCT ASSEMBLY

## Step 24



# PRODUCT ASSEMBLY



## ! CAUTION

When removing the drawer, be careful to tip up the safety release tab on the left side, and tip it down on the right side to remove the drawer from the body as shown.

