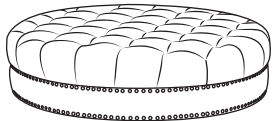


ASSEMBLY INSTRUCTION

(1) ×1



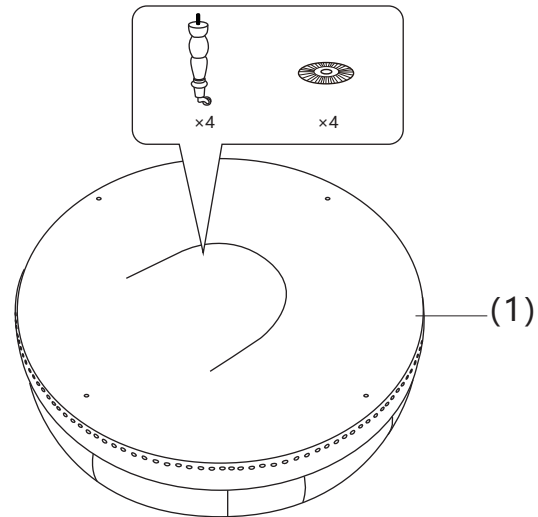
(2) ×4



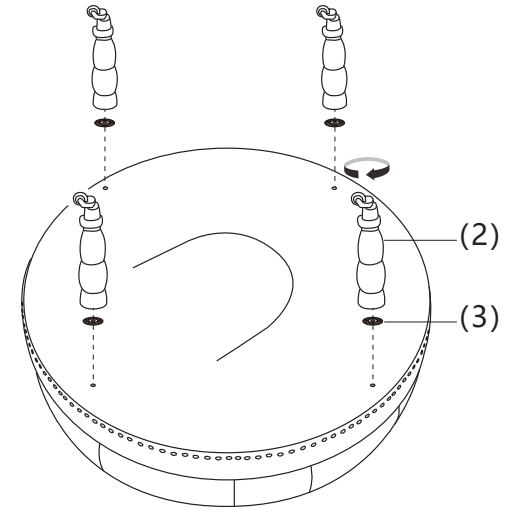
(3) ×4



①



②



③

