

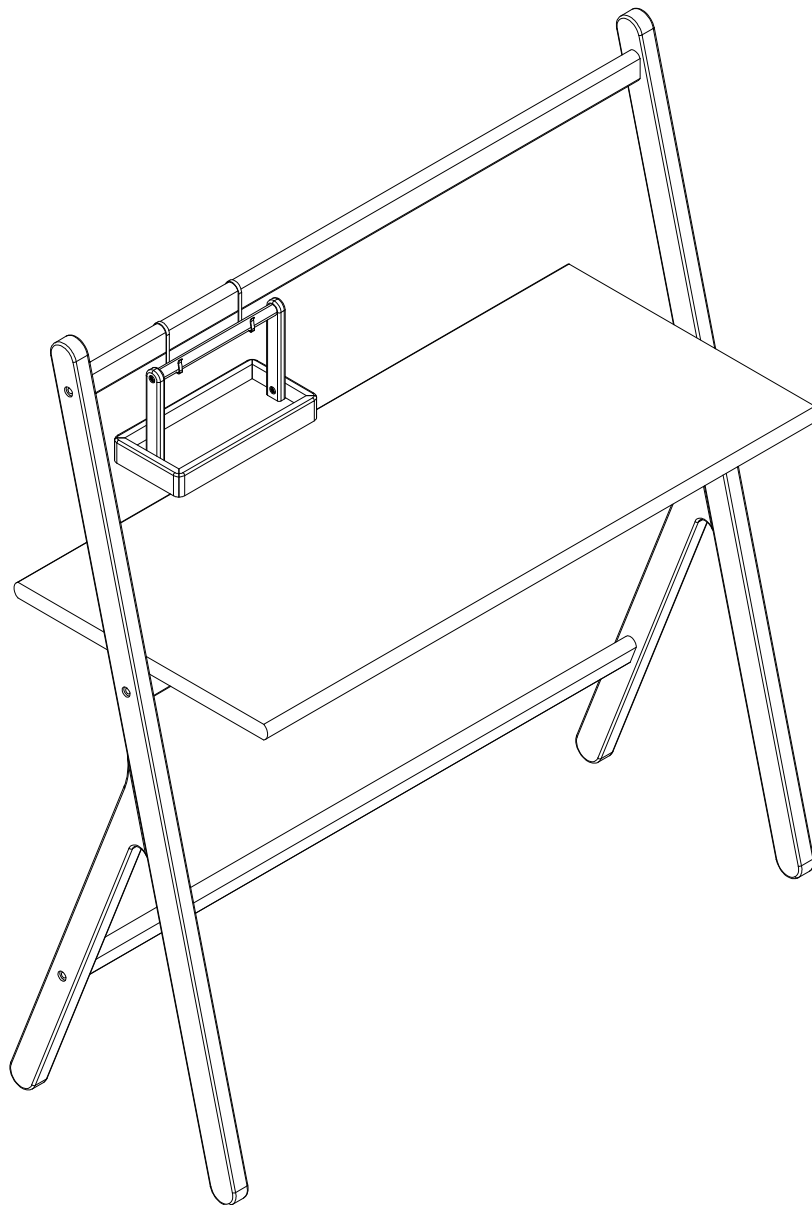
INSTRUCTION

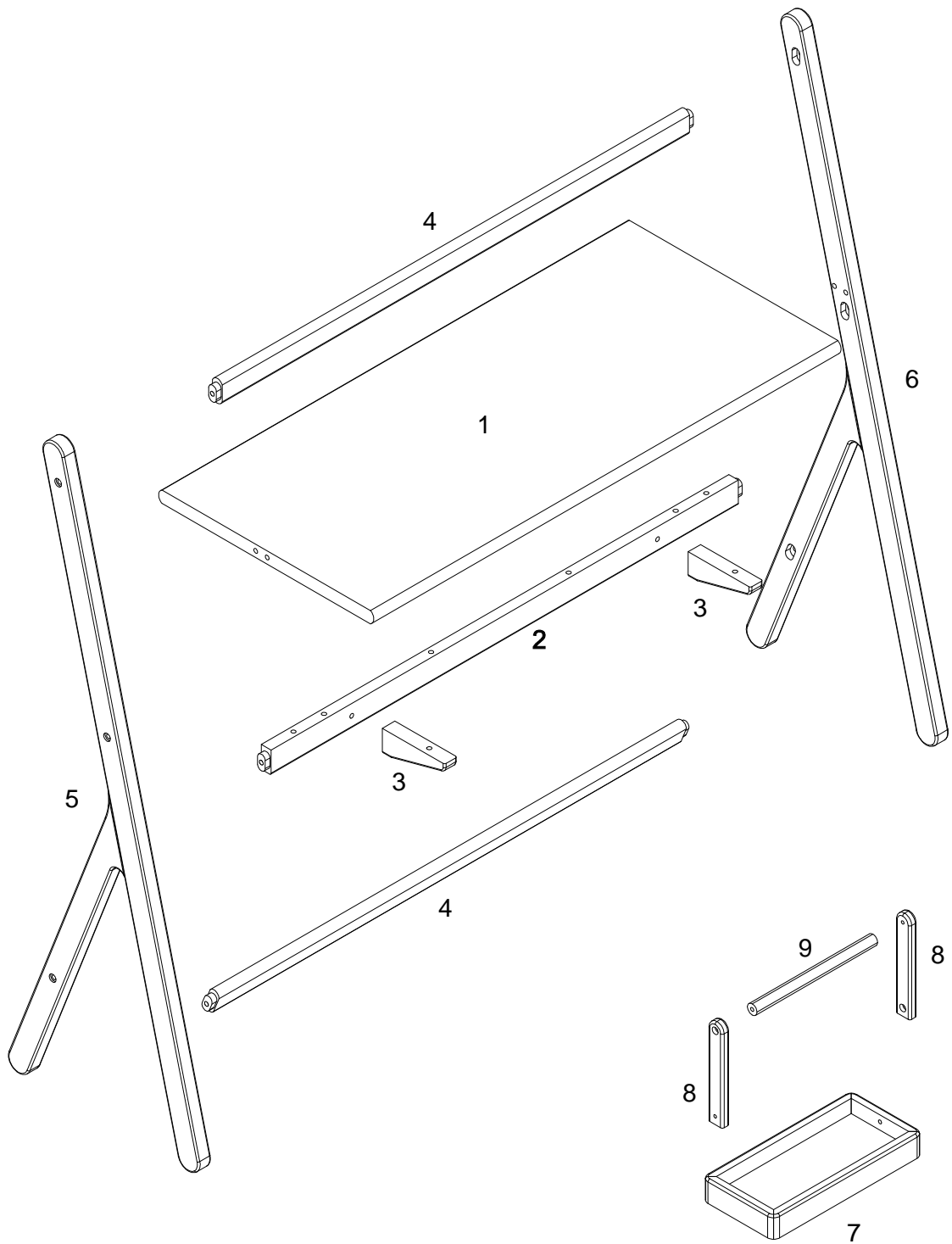
Desk

Caution: Read owner's manual completely before assembly and use.

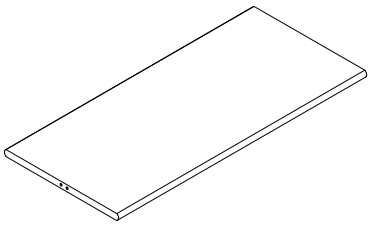
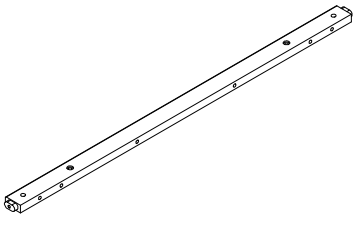
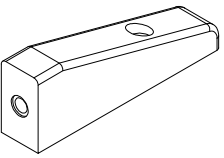
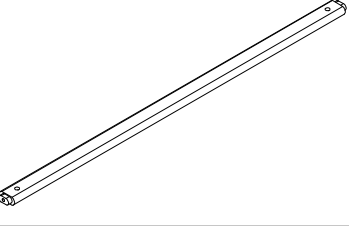
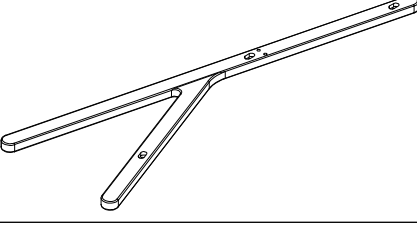
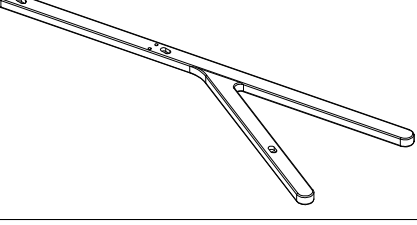
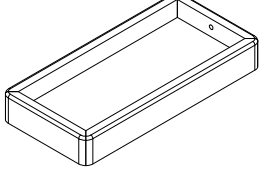
Product code: DK1004W

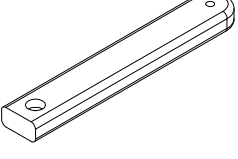
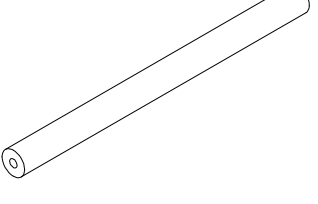
UPC code: 810123882434



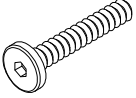
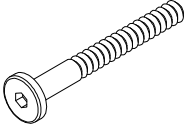
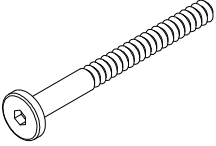
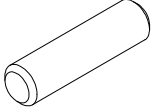
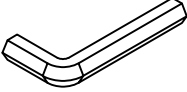
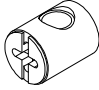
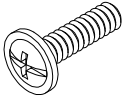
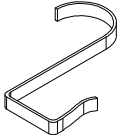


Parts :

	PARTS	Q'TY
1		01
2		01
3		02
4		02
5		01
6		01
7		01

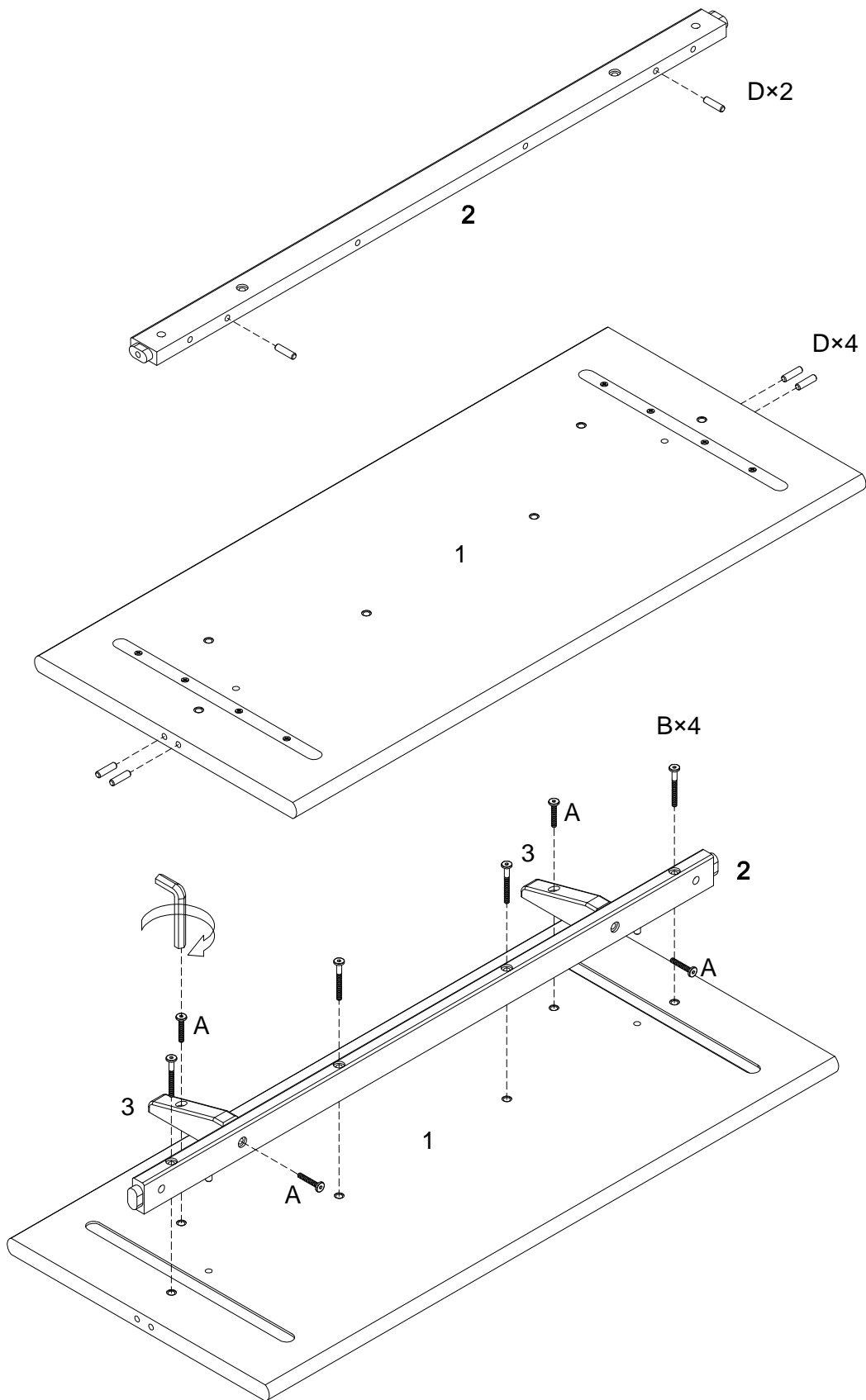
	PARTS	Q'TY
8		02
9		01

Hardware:

	HARDWARE	Q'TY
A	 M6×35	04
B	 M6×55	04
C	 M6×60	06
D		06
E		01
F		06
G		04
H		02

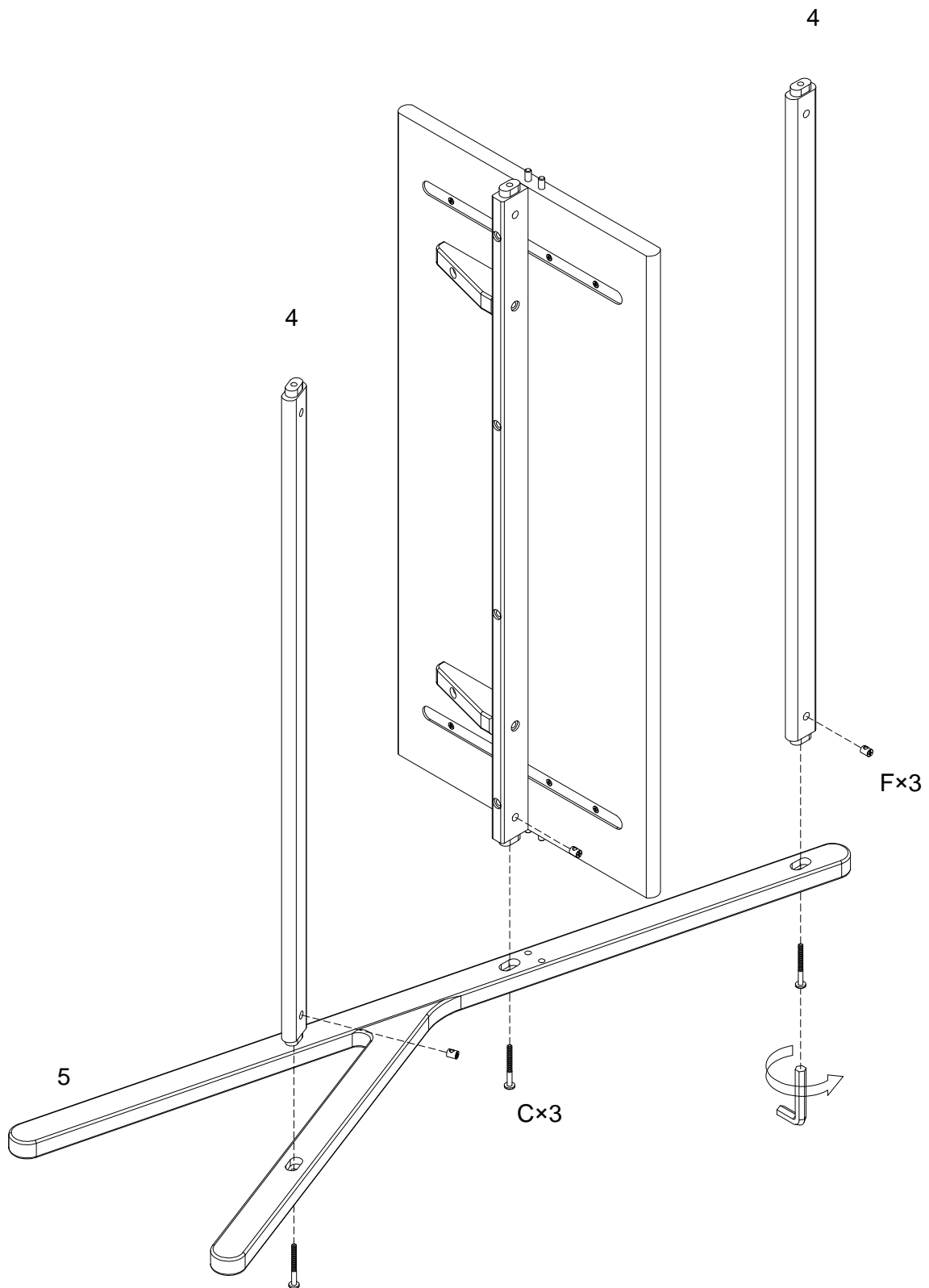
Step By Step Assembly Instructions

Step 1 :



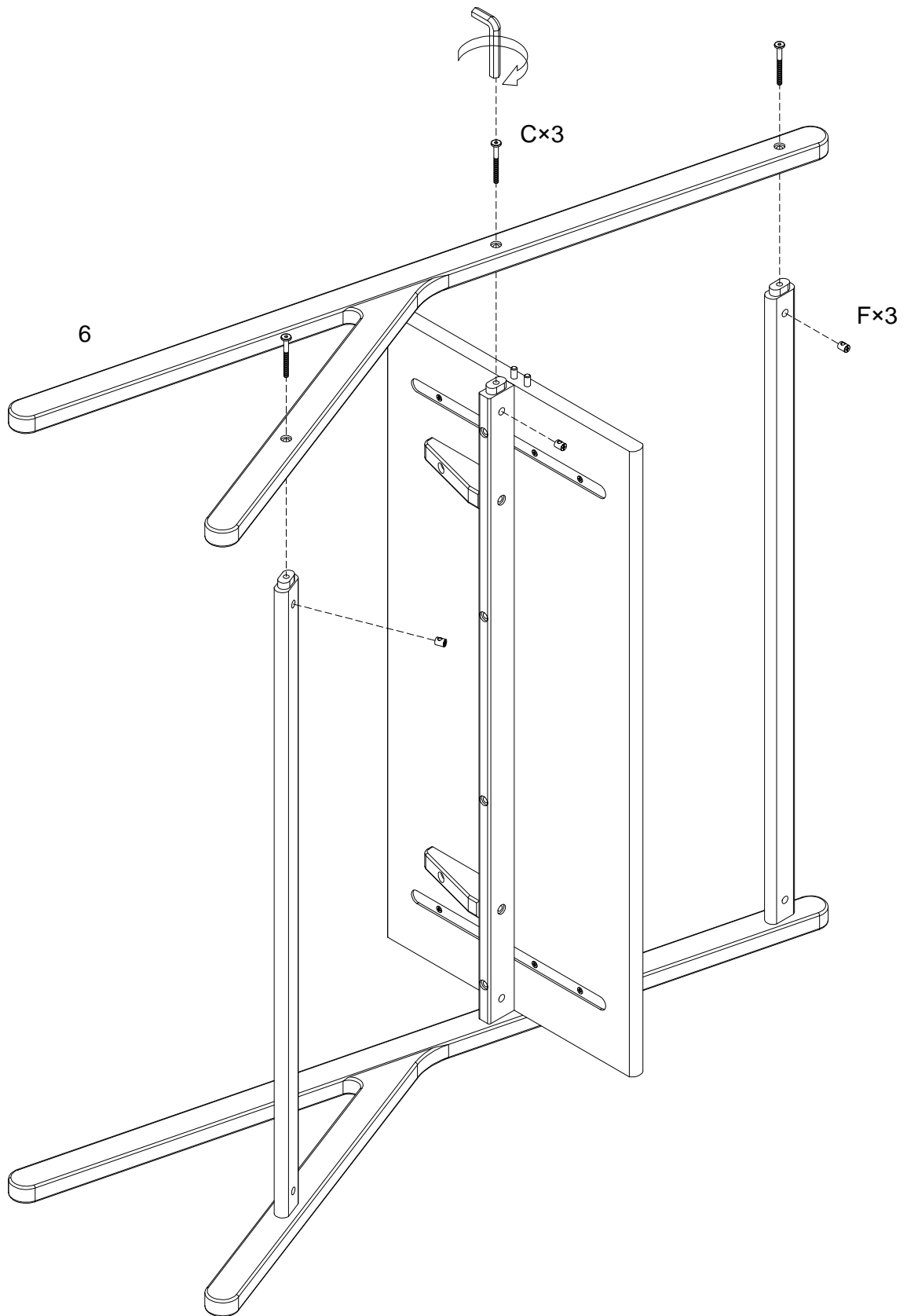
Step By Step Assembly Instructions

Step 2 :



Step By Step Assembly Instructions

Step 3 :



Step By Step Assembly Instructions

Step 4 :

