

ASSEMBLY INSTRUCTIONS



BOOKCASE

REVISION 0 : 06/16/2020
REVISION 1 : 06/21/2022

ASSEMBLY INSTRUCTIONS

ASSEMBLY TIPS:

1. Remove hardware from box and sort by size.
2. Please check to see that all hardware and parts are present prior to start of assembly.
3. Please follow attached instructions in the same sequence as numbered to assure fast & easy assembly.



WARNING!

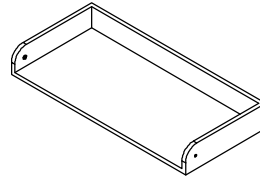
1. Don't attempt to repair or modify parts that are broken or defective. Please contact the store immediately.
2. This product is for home use only and not intended for commercial establishments.



ASSEMBLY TIME 50 MINUTES

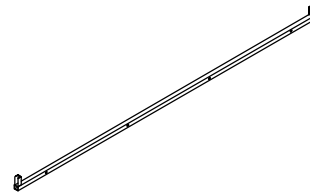
PARTS IDENTIFICATION

A SHELF



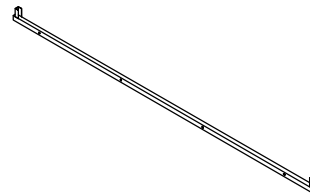
4PCS

B FRONT LEFT LEG



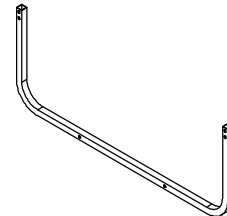
1PC

C FRONT RIGHT LEG



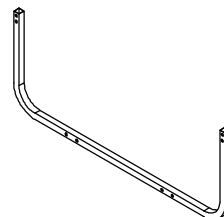
1PC

D TOP FRAME



1PC

E BOTTOM FRAME



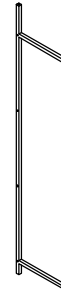
1PC

ASSEMBLY INSTRUCTIONS

PARTS IDENTIFICATION


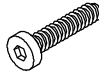

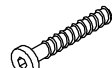



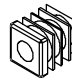

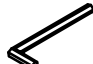
F

BACK FRAME



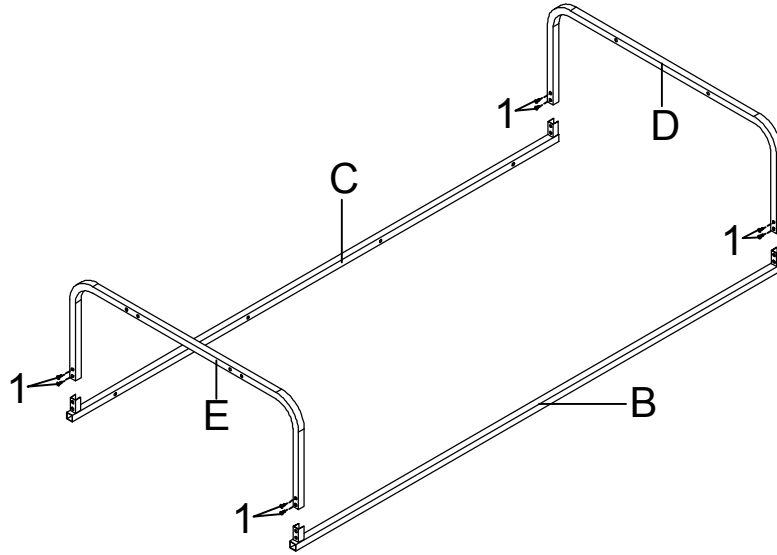
1PC

HARDWARE IDENTIFICATION

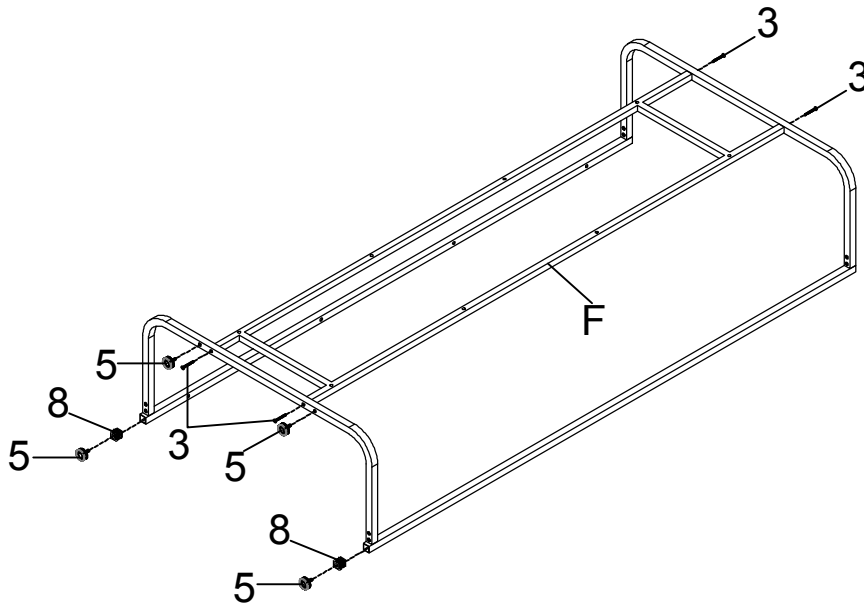
1	SHORT BOLT (1/4" x 12mm SR)		8PCS
2	MEDIUM BOLT (1/4" x 25mm SR)		8PCS
3	LONG BOLT (1/4" x 45mm SR)		4PCS
4	SCREW (7 x 50mm)		8PCS
5	LEVELER (1/4" x 12mm BLK)		4PCS
6	STICKER (ϕ 20mm)		8PCS
7	TOP CAP (20 x 20mm)		2PCS
8	BOTTOM CAP (20 x 20mm)		2PCS
9	WASHER (ϕ 16mm)		8PCS
10	ALLEN WRENCH (4mm)		1PC

ASSEMBLY INSTRUCTIONS

STEP 1 Do not tighten until each step is completed or instructed.

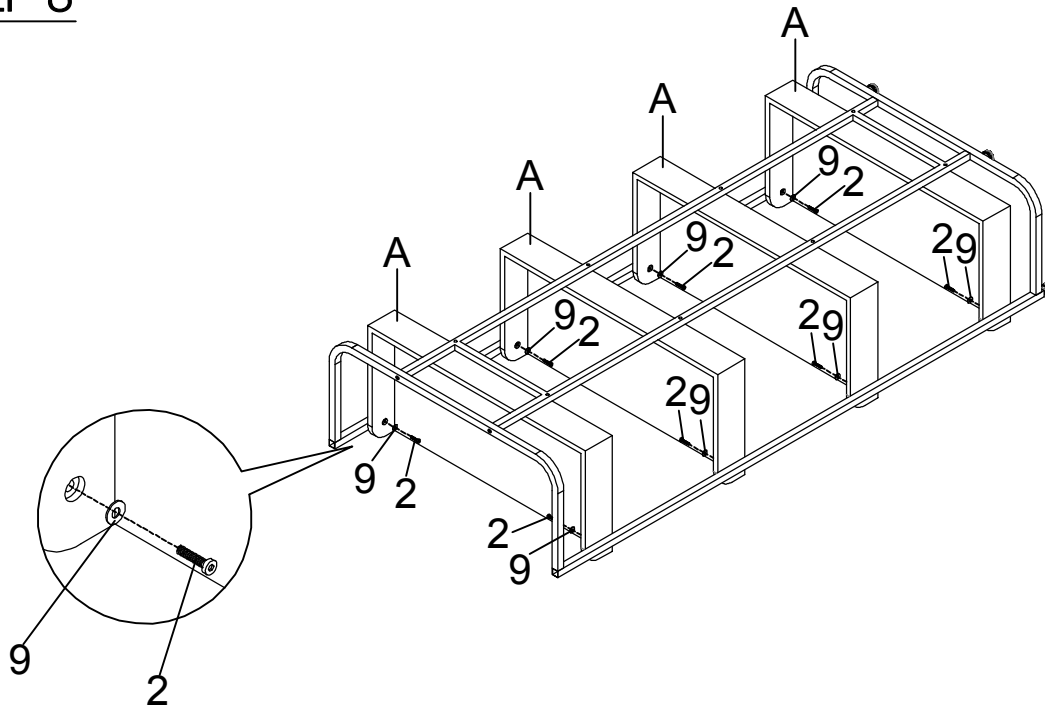


STEP 2

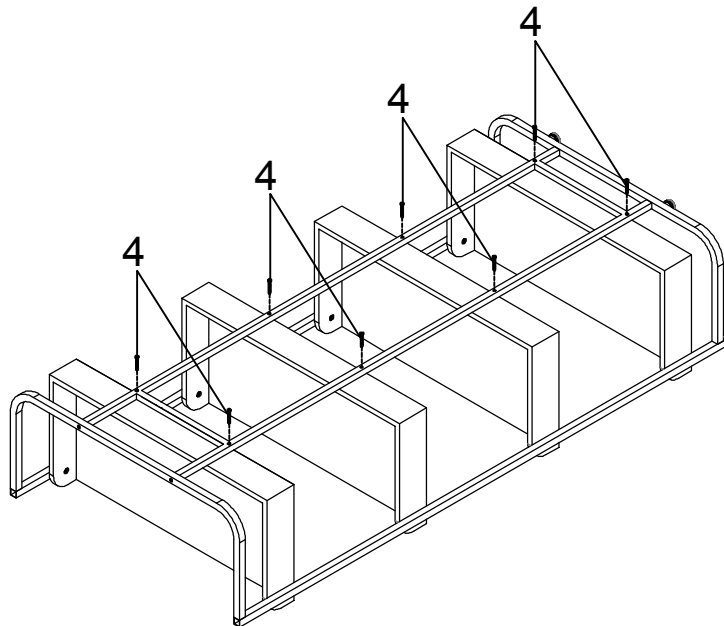


ASSEMBLY INSTRUCTIONS

STEP 3

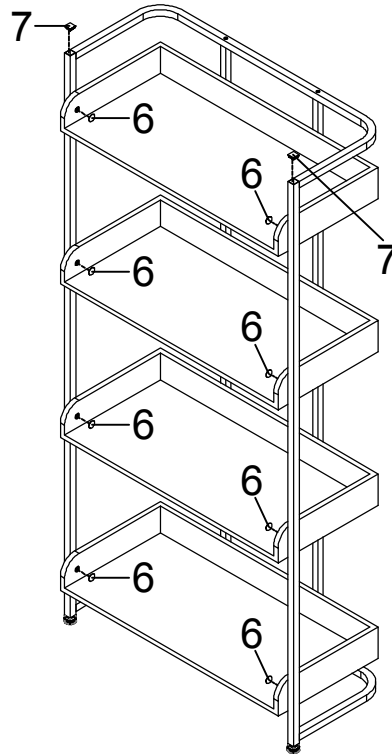


STEP 4



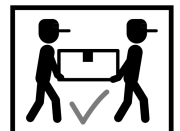
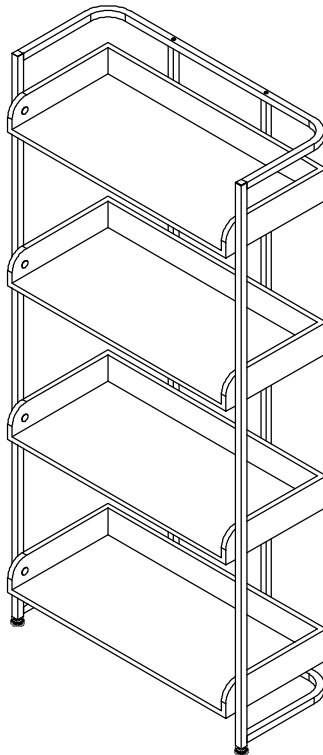
ASSEMBLY INSTRUCTIONS

STEP 5



STEP 6

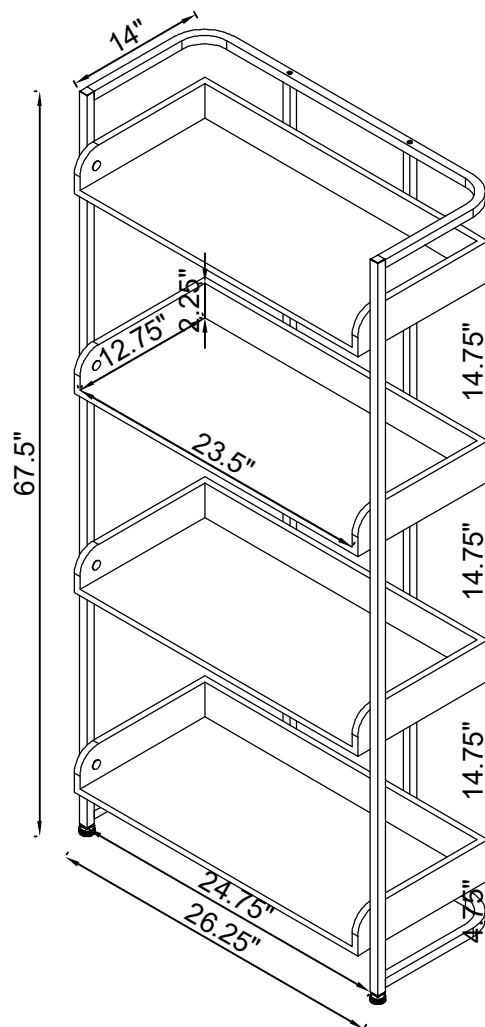
COMPLETE



ASSEMBLY INSTRUCTIONS

Product Size : 667 X 356 X 1715 H (MM)

Product Size : 26 $\frac{1}{4}$ " X 14" X 67 $\frac{1}{2}$ "



Note : Dimension tolerance $\pm 5\%$

ANTI-TIPPING INSTALLMENT INSTRUCTIONS

FURNITURE TIPPING RESTRAINT

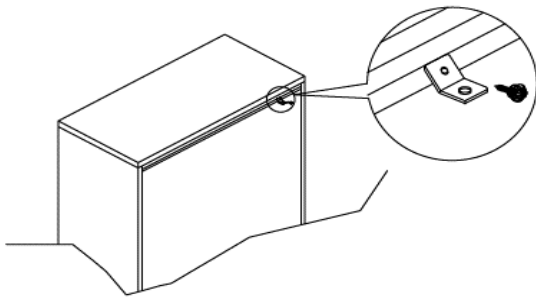
WARNING

Injury may result from tipping furniture.
This restraint may protect against tipping furniture.
Do not allow children to climb on furniture.
This restraint is not a substitute for proper adult supervision.
Failure to detach this restraint before moving the furniture may result in injury and damage.

This tip restraint must be attached to a wall stud using long screw enclosed.

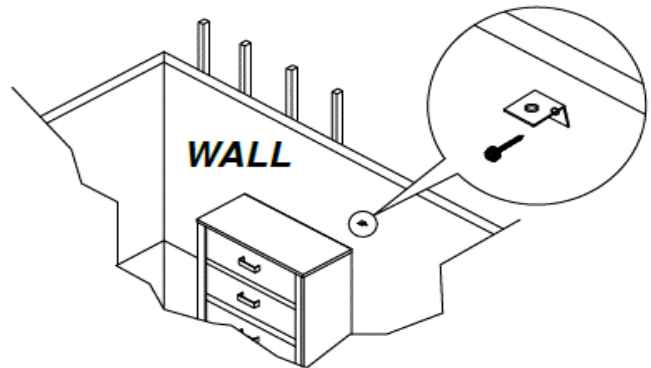
STEP 1

Attach a bracket securely to the back top rail of the furniture using short screw provided, through the smaller hole.



STEP 2

Locate the other bracket on the wall over a plastic wall stud and two inches below the mounting bracket secured to the back of the furniture. Attach the wall stud using the long screw provided, through the smaller hole.



STEP 3

Place the furniture into position so both mounting brackets are vertically in line. Lace the end of the restraint strap through the larger hole in each mounting bracket. Bring both ends together and slide the flat end through the locking end and draw it through until all slack is removed. Confirm that the strap is securely laced and locked.

