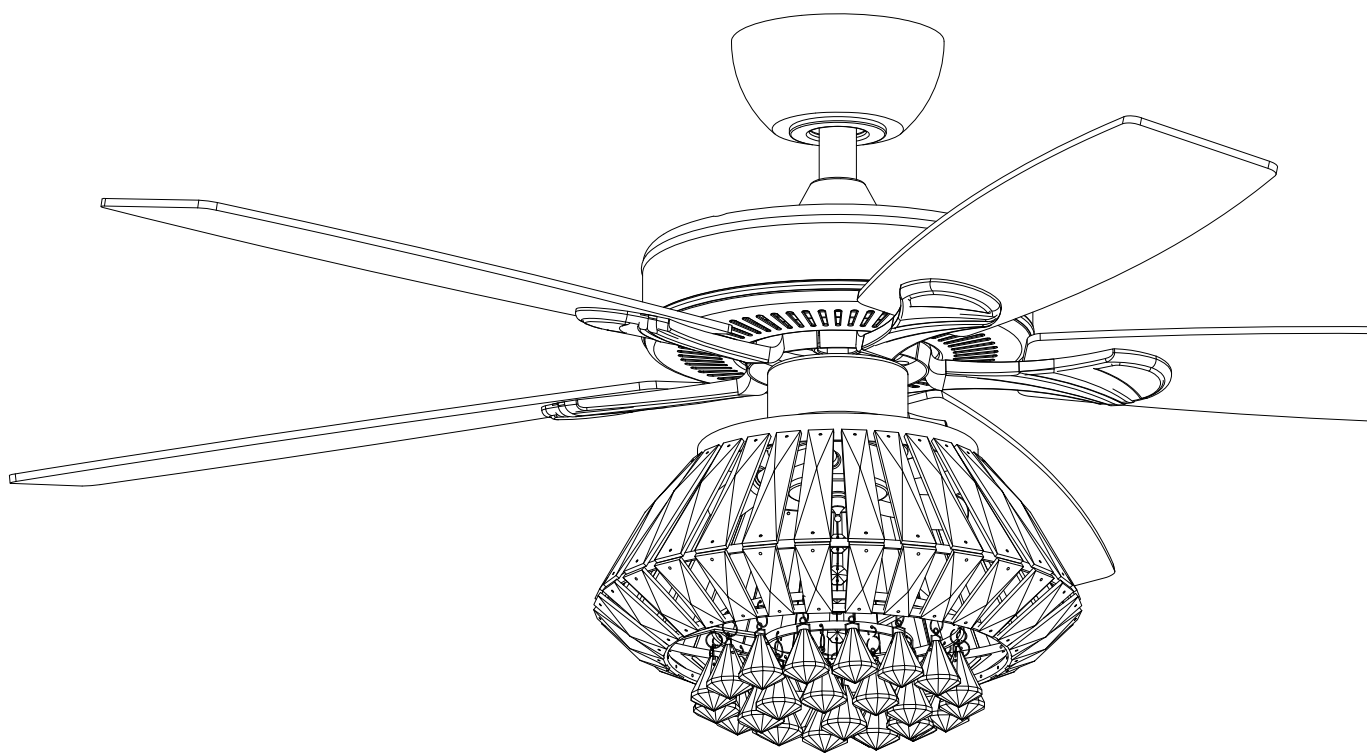


# CEILING FAN



## USE AND CARE GUIDE


---

**WARNING: SHUT POWER OFF AT FUSE OR CIRCUIT BREAKER**

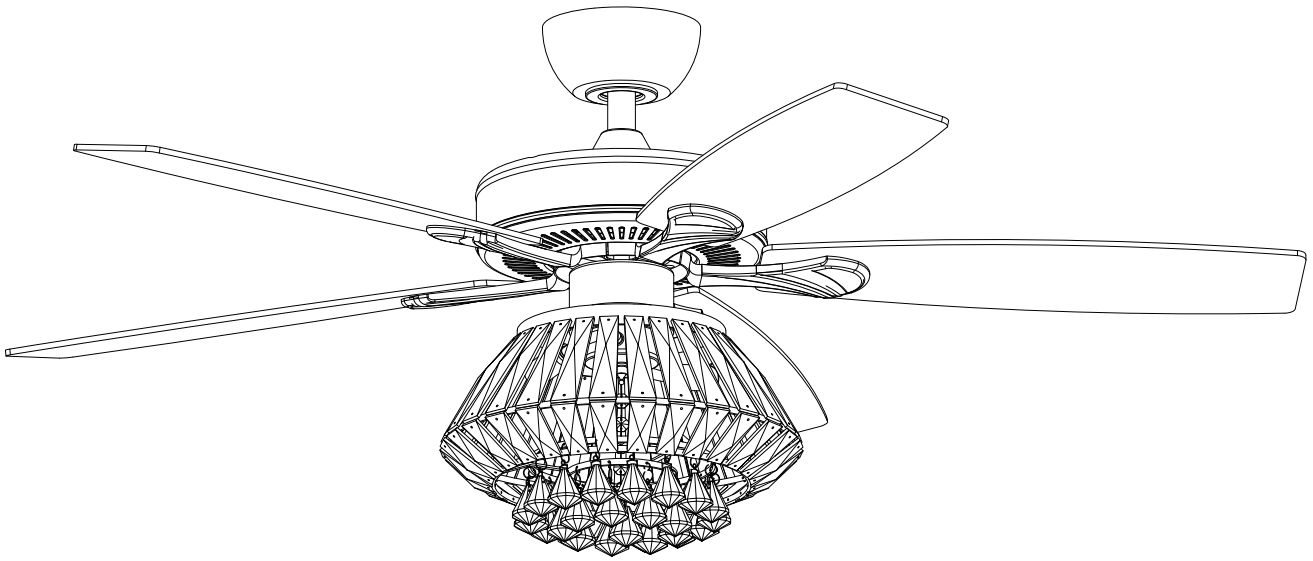
## Safety Information

### READ AND SAVE THESE INSTRUCTIONS

WARNING: TO REDUCE THE RISK OF FIRE, ELECTRIC SHOCK,  
OR INJURY TO PERSONS, OBSERVE THE FOLLOWING:






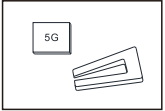
1. Proceed with caution. Read all instructions before beginning the installation.
2. WARNING! This fan may be operated only with a 2-pole switch with a 3mm contact opening each.
3. Only an authorized electrician should execute the installation.
4. The installation height, i.e. the distance between the blades and the floor, should be at least 2.3 m.
5.  Always maintain the distance between the lamp and inflammable materials (curtains, wall, etc.), as indicated on the pictogram.
6. Make sure the fan is securely fastened at the ceiling.
7. WARNING! Do not use a dimmer type switch to control the fan speed.
8. WARNING! To prevent injuries, make sure the blades are not bent and that there are no objects with in the area of rotation.
9. WARNING! Due to European safety regulations, if the flush mount option is elected, the fan must not be re-installed utilizing the downrod. If attempted, this may cause a serious injury. When assembling the fan, please follow your local safety regulations.
10. WARNING: Do Not use this fan in the same room at the same time as a gas or fuel burning fire, unless the flue has been tested under these conditions of use by a competent person.
11. This appliance can be used by children aged from 8 years and above and persons with reduced physical, sensory or mental capabilities or lack of experience and knowledge if they have been given supervision or instruction concerning use of the appliance in a safe way and understand the hazards involved. Children shall not play with the appliance. Cleaning and user maintenance shall not be made by children without supervision.
12. Suitable for use indoors.
13. Before disassembling light kit, make sure the power supply is disconnected from the main supply. Power supply can be on only after installation is completed.
14. The lampshade should not be removed from the light bulb when the power supply is on.
15. Replacement of light bulb is only possible when the light kit has cooled down, and the power supply is disconnected from the main supply.
16. Make sure the lampshade is in the fixed position when operating the product.
17. Means for all poles disconnection having a contact separation that provide full disconnection under over voltage category III conditions must be incorporated in the fixed wiring in accordance with national wiring rules.
18. The fan is designed for indoor use. It is not designed for installation in a bathroom or any damp area. Please ensure that the lamp does not come into contact with water.

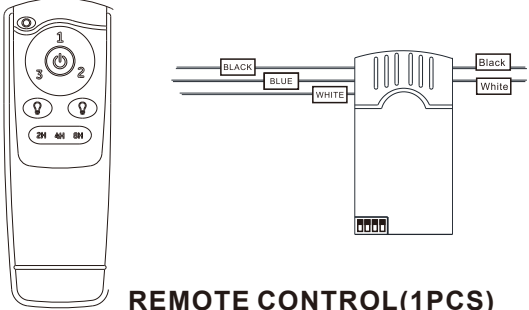
**WARNING: SHUT POWER OFF AT FUSE OR CIRCUIT BREAKER**



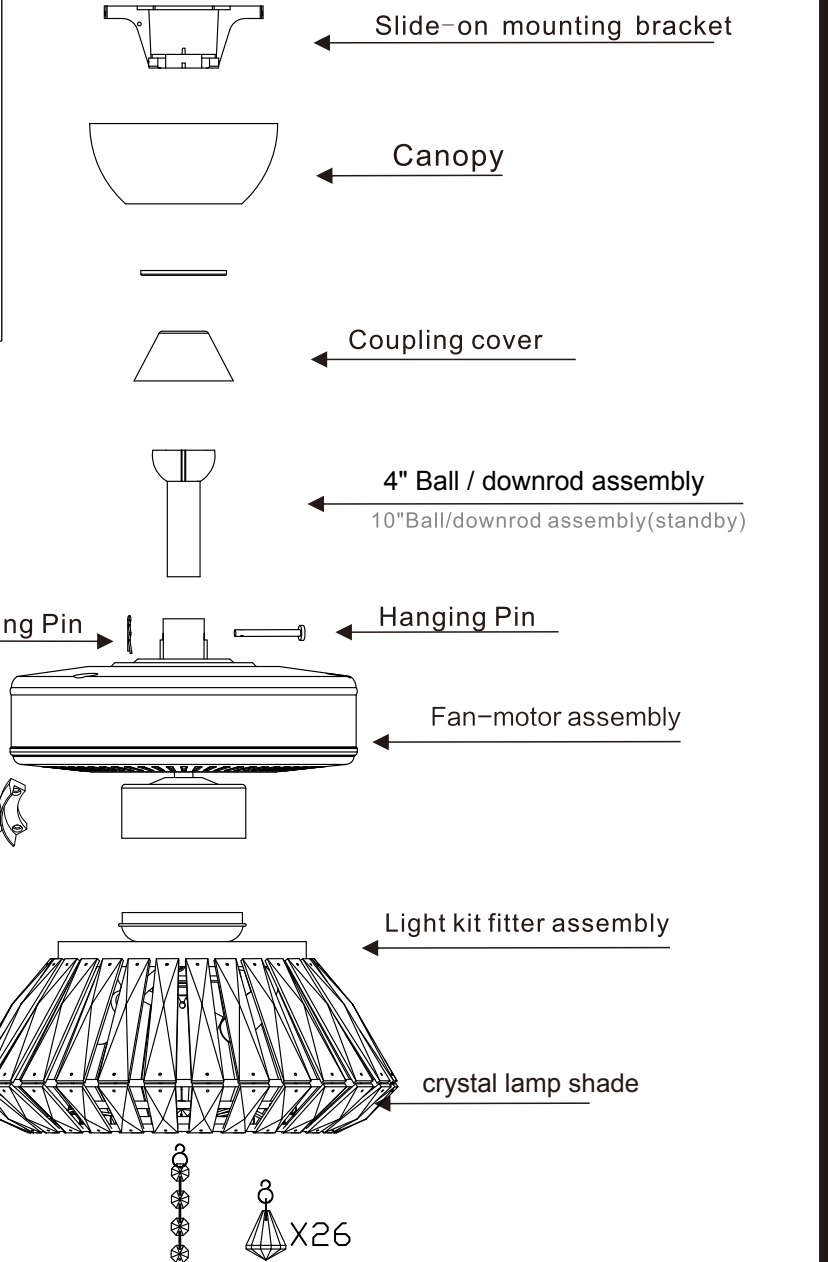
**Thank you for purchasing this quality product.  
To ensure correct function and safety, please read and save all instructions before using the product**

**WARNING: SHUT POWER OFF AT FUSE OR CIRCUIT BREAKER**

 <b>Blade screws(16PCS)</b>  <b>Plastic wire nut (3PCS)</b>  <b>Blade arm screws (1PCS)</b>	 <b>Mounting screws (2PCS)</b>  <b>washer (2PCS)</b>	 <b>Balanced parts package(1PCS)</b>
--	---	---



**REMOTE CONTROL(1PCS)**



Slide-on mounting bracket

Canopy

Coupling cover

4" Ball / downrod assembly  
10"Ball/downrod assembly(standby)

Hanging Pin

Fan-motor assembly

Light kit fitter assembly

crystal lamp shade

Blade (5PCS)

Arm(with pre-installed screws)  
(5PCS)

X26

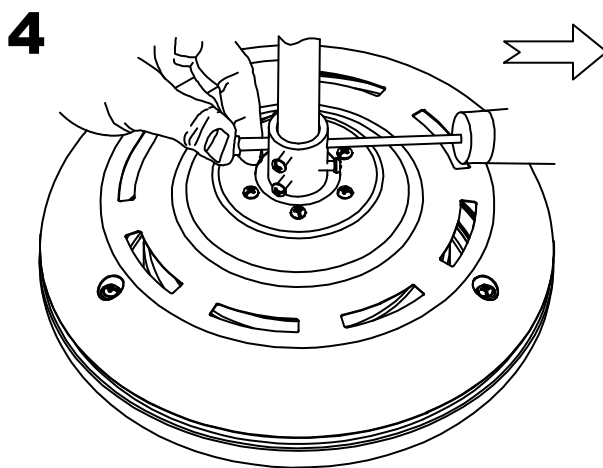
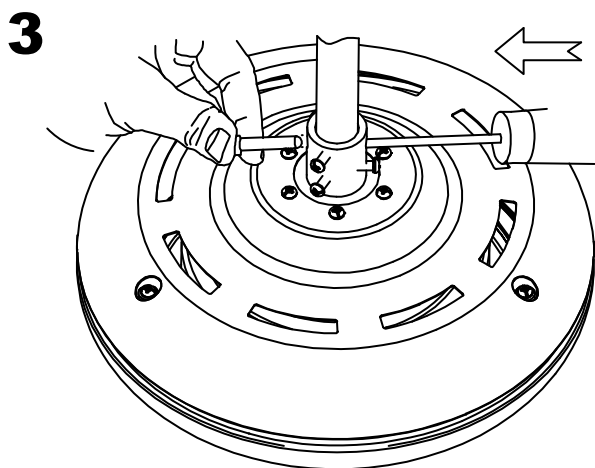
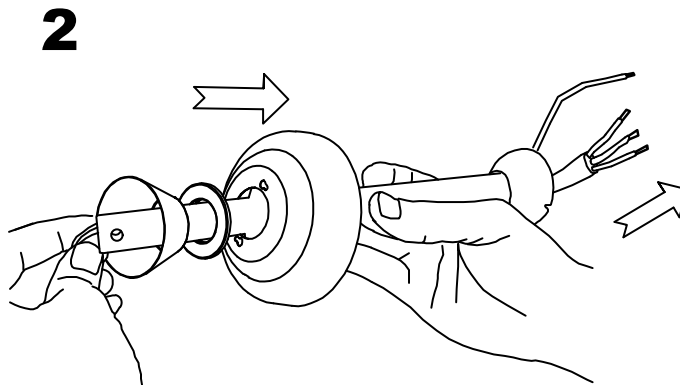
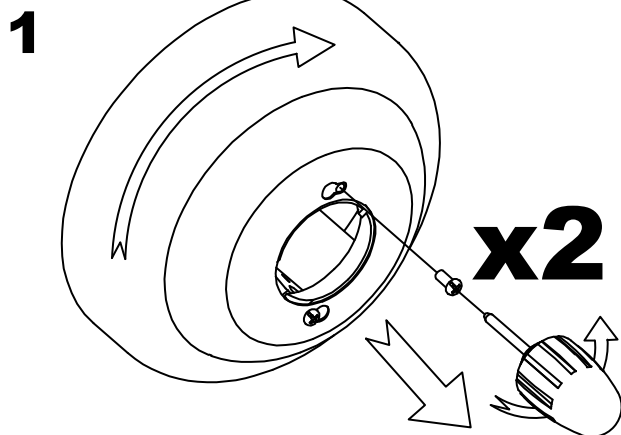
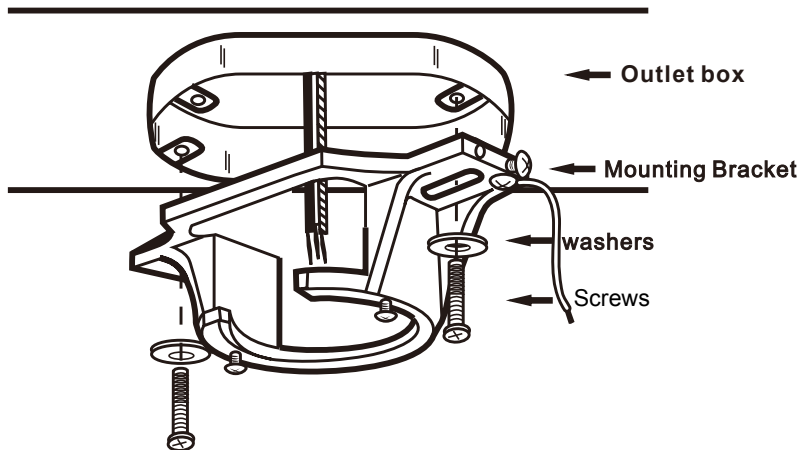
**Pls check whether above accessories are completed or not?Yes,and install.**

**WARNING: SHUT POWER OFF AT FUSE OR CIRCUIT BREAKER**

## 1 Attaching the fan to the electrical box

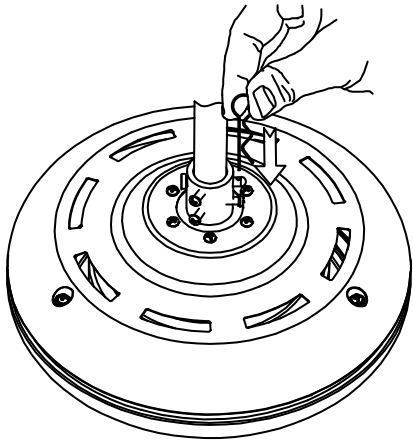
Drill two mounting holes in the ceiling joist and securely screw the mounting bracket to the ceiling using the washers and wood screws provided. The mounting plate should be able to hold a weight of at least 15.9kgs (35 lbs).

NOTE - Proper care must be taken when mounting to concrete ceilings. For safe mounting, these ceilings may require stronger screws and plastic plugs or anchors than supplied with the product.

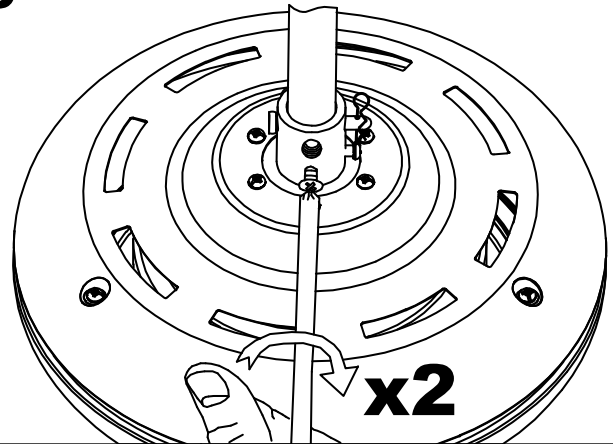


**WARNING: SHUT POWER OFF AT FUSE OR CIRCUIT BREAKER**

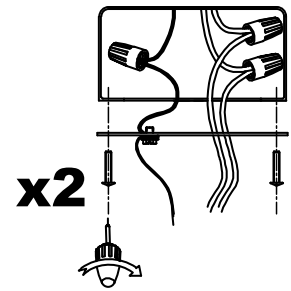
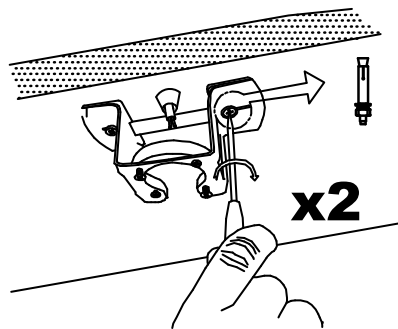
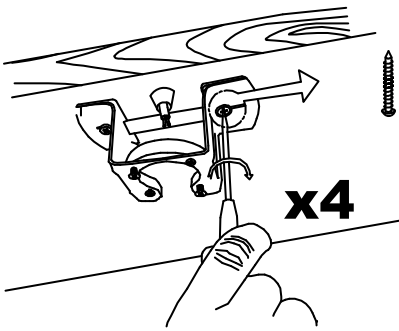
**5**



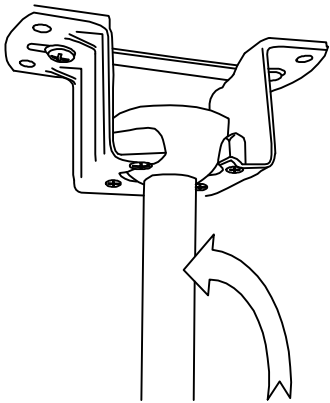
**6**



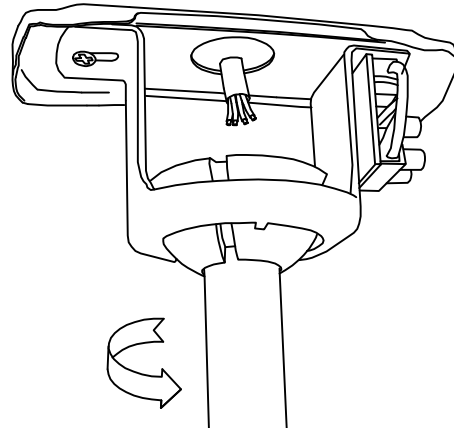
**7**



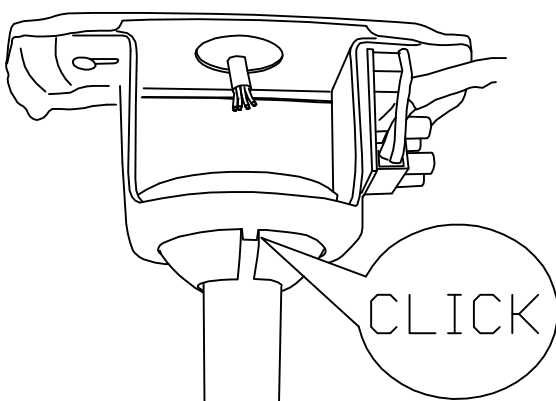
**8**



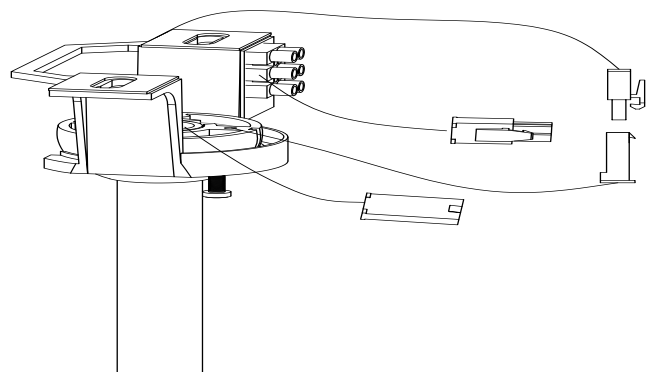
**9**



**10**

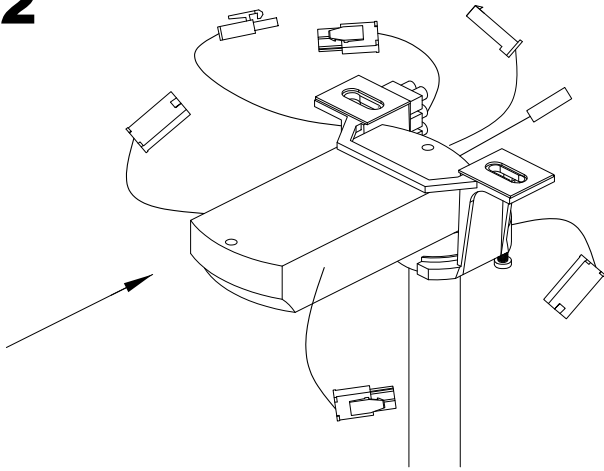


**11**

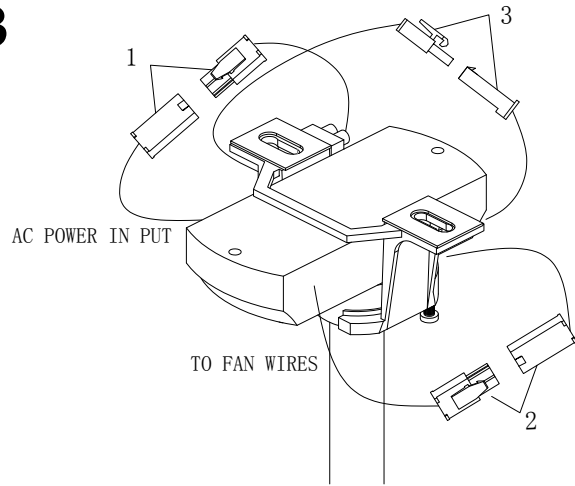


**WARNING: SHUT POWER OFF AT FUSE OR CIRCUIT BREAKER**

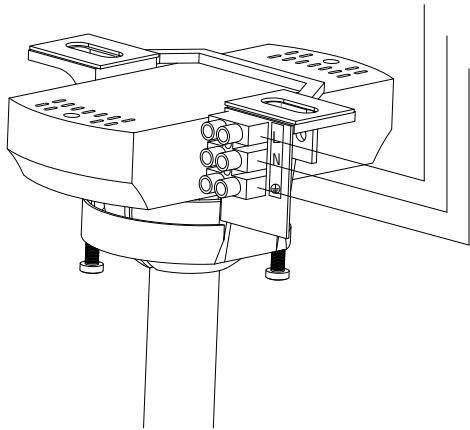
**12**



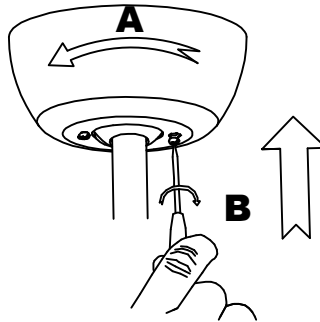
**13**



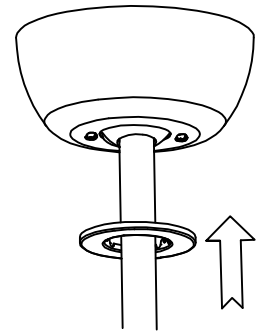
**14**



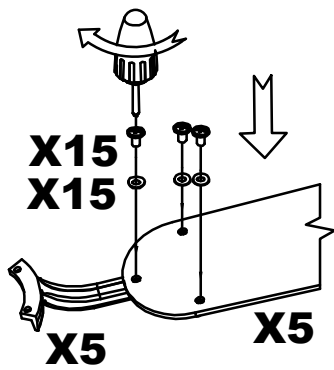
**15**



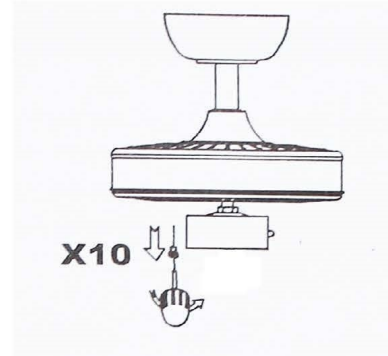
**16**



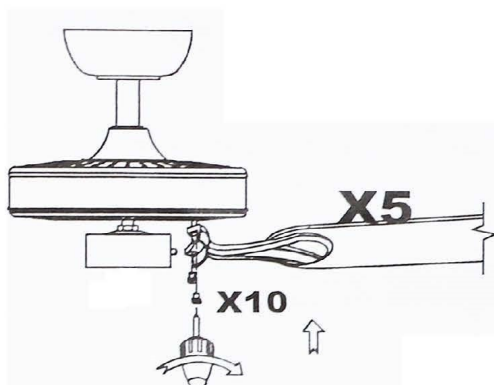
**17**



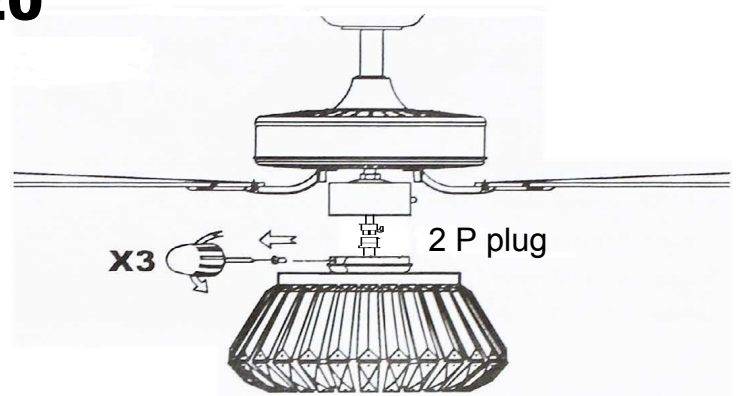
**18**



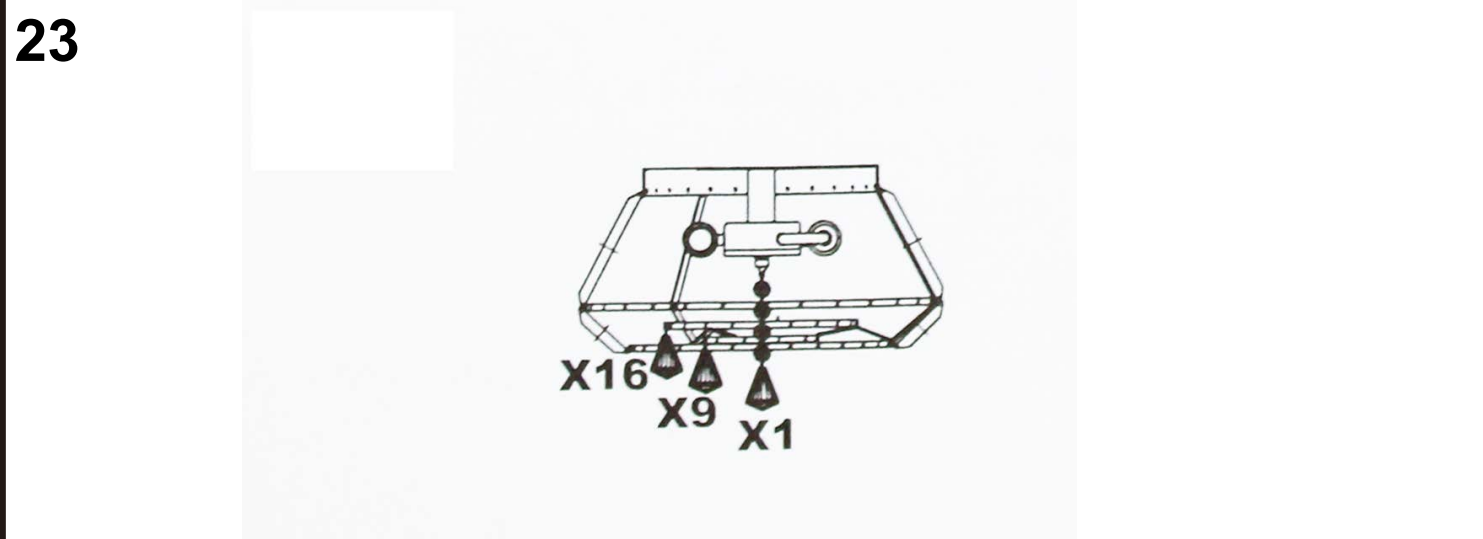
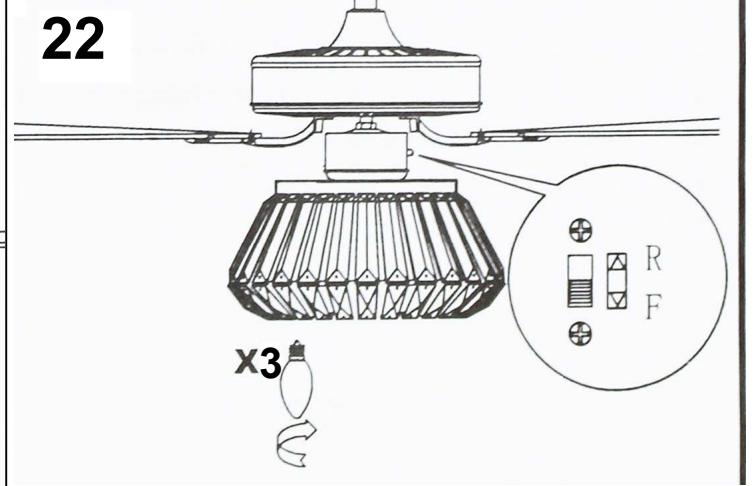
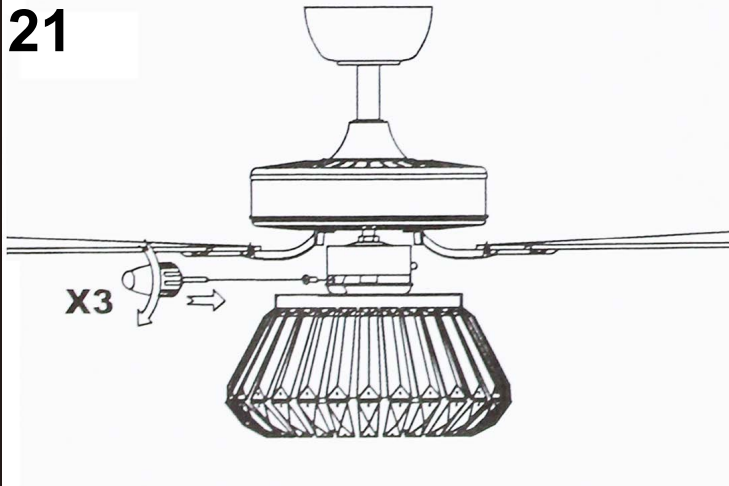
**19**



**20**

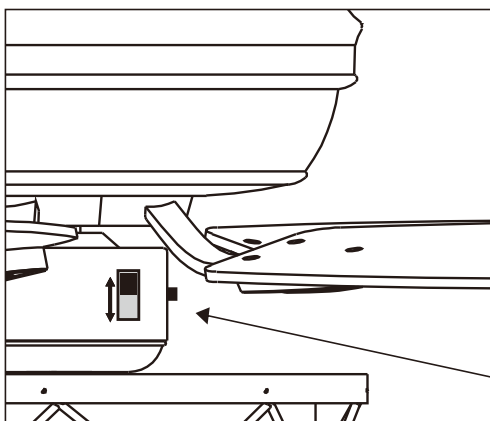


**WARNING: SHUT POWER OFF AT FUSE OR CIRCUIT BREAKER**



### OPERATING YOUR FAN

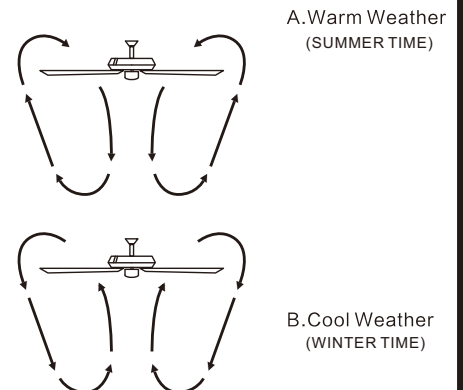
The appropriate speed settings for warm or cool weather depends on factors such as the room size, ceiling height, and number of fans.



Reverse switch

**NOTE:** Wait for the fan to stop before reversing the direction of the blade rotation

A. warm weather-(Forward) A Downward airflow creates a cooling effect. This allows you to set your air conditioner on a higher setting without affecting your comfort.  
 B. Cool weather-(Reverse) An upward airflow moves warm air off the ceiling. This allows Reverse you to set heating unit on a lower setting without affecting your comfort.



**WARNING: SHUT POWER OFF AT FUSE OR CIRCUIT BREAKER**

## Remote controller

# GENERAL INFORMATION

This remote controller is designed to separately control your ceiling fan speed and light ON/OFF. There are four buttons (HI, MED, LOW, OFF) to control the speed of the fan and off. The light button will control the light on and off. The red indicator on the transmitter will light when one of the nine buttons is pressed.

### INSTRUCTION OF INSTALLATION AND OPERATION

#### 1.SETTING THE CODES

To set the codes, perform the following steps:

##### A. Setting the codes on the transmitter:

- a. Remove battery cover. Press firmly on the arrow and slide battery cover off.
- b. Slide code switches to your choice of up or down position. (Factory setting is all up. Do not use this position. Use a Small screwdriver or ball point pen to slide firmly up or down (Figure 1)).

##### B. Setting the codes on the receiver:

The Learn Key must be pressed within 30 seconds, after pressing the Power button. If not, please press the Power button to restart. Keep pressing the button learn key in excess of 3 seconds it becomes a LEARN status. The receiver can remember the last codes status. The light flash two times.

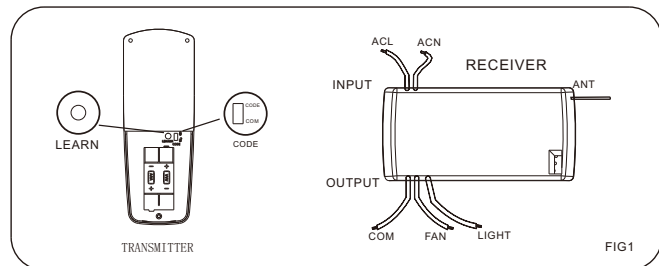
#### 2.INSTALLING RECEIVER IN CEILING FAN

##### A. Safety precautions:

**WARNING: HIGH VOLTAGE!** Disconnect power by removing fuse or switching off circuit breaker. Do not use with solid state fans. Electrical wire must meet all local and national electrical code requirements. Supply for fan must be 220/240 volt, 50Hz. Maximum fan motor amps: 1.0, Maximum light watts: 180 incandescent or ballast. Otherwise power can cause serious injury or death.

##### B. Installing receiver in fan:

- a. Remove power from the circuit.
- b. Remove ceiling fan canopy from the mounting bracket.
- c. Disconnect existing wiring between ceiling fan and Supply in electrical junction box.
- d. Make connections as follows, using the wire nuts supplied:



**CAUTION: Ceiling Angle Shall Not Exceed 30 Degrees, For Mounting Controller, Model RE-026**

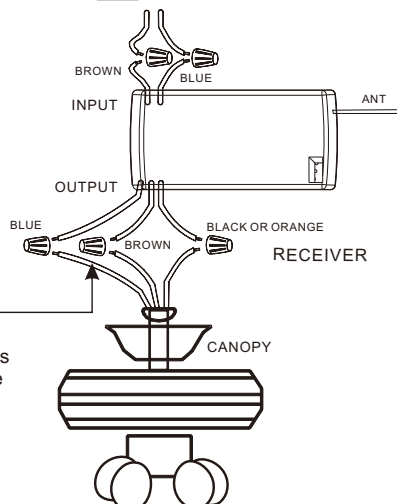
#### CONNECT TO

Green fan wire ....Bare supply wire  
 Brown receiver wire(AC IN L) ....Brown supply wire  
 Blue receiver wire(AC IN N) ....Blue supply wire  
 Blue receiver wire(TO MOTOR N) ....Blue fan wire  
 Brown receiver wire(TO MOTOR L) ....Brown fan wire  
 Black/Orange receiver wire(FOR LIGHT) ....Black/Orange light wire

FROM POWER SOURCE  
 AC 220~240 VOLT 50Hz

Use wire connecting nuts supplied with the fan

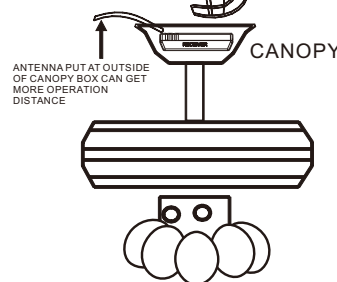
(FIG.3)



Use wire connecting nuts supplied with the remote controller.



RECEIVER  
 (FIG.4)




**WARNING: SHUT POWER OFF AT FUSE OR CIRCUIT BREAKER**

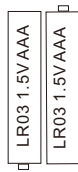
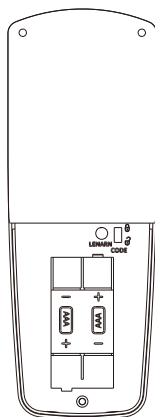
If other fans or supply wires are different color, have this unit installed by qualified licensed electrician.

- e. Push all connected wires up into junction box.
- f. Lay the brown antenna wire on top of the receiver, and put the receiver into the mounting bracket.
- g. Reinstall the canopy on the mounting bracket.
- h. Restore power.

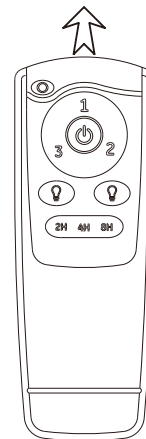
### 3. OPERATING TRANSMITTER:

- A. Install 1.5 volt battery(not included). (To prevent damage to transmitter, remove the battery if not used for a long time).
- B. Store the transmitter away from excessive heat or humidity.
- C. This remote control unit is equipped with roll code combinations. In order to prevent possible interference from or to other remote units such as garage door openers, car alarm or security system. If you find that your fan and light kit go on and off without using your remote control, simply change the code combination in your transmitter and receiver.
- D. Operating the buttons on the panel of the transmitter.
  - 3 key -for fan high speed.
  - 2 key-for fan medium speed.
  - 1 key-for fan low speed.
  - OFF key-for fan off.
  - LIGHT  key-for light ON/OFF.
  - 2hr , 4hr , 8hr button to set the FAN sleep timer from

**YOUR REMOTE NOW HAS FULL CONTROL OF THE FAN AND LIGHT.**



OPERATION DISTANCE 20 FEET



MODEL:  
RE-011

TRANSMITTER

<sup>1</sup>Optional Wall Mounting for Transmitter Holder<sup>1</sup>

Place in accessible area of your home, and screw the transmitter holder into wall using the two screws provided, slide hand unit into holder.

### 4. TROUBLE SHOOTING GUIDE

1. Fails to operate
  - a. Power to receiver ?
  - b. Receiver wired correctly ?
  - c. Manual speed control in highest position ?
  - d. Light kit switch turned on ?
  - e. Good battery in the transmitter ?
  - f. Code set at exact same positions in both transmitter and receiver ?
2. Don't operate at distance
  - If transmitter operates fan/light kit when up close, but not at 20 feet away.
  - Try placing the brown antenna wire higher, up through ceiling/outside the junction box.

### NOTICE !

Your ceiling fan and light kit assembly must meet the following requirements:

1. Do not use with solid state fans.
2. Electrical rating: 220V~240V 50Hz
  - MAX. Motor amps: 1.0
  - MAX. Light watts: 180-(incandescent, or ballast non-dimmer, or LED)

### WARNING

TO REDUCE THE RISK OF SHOCK, THIS FAN MUST BE INSTALLED WITH A WALL CONTROL/SWITCH.



# TROUBLESHOOTING GUIDE

## Table of Contents

1. Fan / Remote is not working
2. Fan is noisy
3. Fan Wobbles
4. Light is not working

*Please refer to the instruction sheet for detailed directions and descriptions of installation steps and requirements.*

## 1. FAN / REMOTE IS NOT WORKING

Ensure the remote is within the 20 foot range of the receiver

To reset the remote control: 1) Turn off power to fan using the wall switch or circuit breaker. 2) Remove batteries from remote. 3) Wait 10 seconds. 4) Replace batteries and turn power on

Check batteries to insure they are good and oriented correctly

Check to make sure the frequency switches (DIP Switches) from the remote to the receiver are set to the same frequency

Check the main and branch circuit fuses or breakers

If using a Variable Speed Wall Switch, ensure it is specifically designed for use with a ceiling fan.

Check the line wire connections to the fan and the switch wire connections in the switch housing per the instructions

If fan still does not work, please contact Customer Service [Support@parrotuncle.com](mailto:Support@parrotuncle.com)

## 2. THE FAN IS NOISY

Make sure all motor housing screws are tightened

Make sure the screws that attach fan blade to motor are tight

Make sure the wire nut connectors are not rattling against each other or the interior wall of the switch housing

Allow 24-hour break in period. Most noises associated with the new fan may disappear during this time

If using a ceiling light kit, make sure the glassware is secured tightly

Make sure there is a short distance/gap from the ceiling to the top of the canopy. The canopy should not touch the ceiling!

Make sure your ceiling box is secure and that the rubber isolator pads are used between the mounting bracket and outlet box

**WARNING: SHUT POWER OFF AT FUSE OR CIRCUIT BREAKER**

### 3. THE FAN WOBBLES

Verify all blades and blade bracket screws are secure (most fan wobble problems are caused by loose parts). Once fan is properly installed, run the ceiling fan for 10 minutes to let the fan self-adjust.

If wobble occurs after running the fan for 10 minutes, verify blade level using the following process:

- a) select a point on the ceiling above the tip of one of the blades. Then select the fan blade and measure from the center of the selected blade to point on the ceiling. Rotate the fan until the next blade is positioned and repeat the measurement using the same point from the ceiling for every blade. Measurements should be within 1/8 inch.

### 4. LIGHT IS NOT WORKING

Check Bulb to make sure it is installed correctly

Remove non-working bulb and replace with a bulb that is known to be a good working bulb

To reset the remote control: 1) Turn off power to fan using the wall switch or circuit breaker. 2) Remove batteries from remote. 3) Wait 10 seconds. 4) Replace batteries and turn power on

**WARNING: SHUT POWER OFF AT FUSE OR CIRCUIT BREAKER**

## **AFTER INSTALLATION**

### **WOBBLE”**

The fan blades have been adjusted in the factory to minimize any wobble

**NOTE:CEILING FANS TEND TO MOVE DURING OPERATION DUE TO THE FACT THAT THEY ARE MOUNTED ON A RUBBER CROMMET. IF THE FAN WAS MOUNTED RIGIDLY TO THE CEILING, IT WOULD CAUSE EXCESS VIBRATION. MOVEMENT OF A FEW CENTIMENTERS IS QUITE ACCEPTABLE AND DOES NOT SUGGEST ANY PROBLEM**

**TO REDUCE THE FAN WOBBLE: PLEASE CHECK THAT ALL SCREWS WHICH SECURED THE MOUNTING BRACKET AND DOWNROD ARE SECURE.**

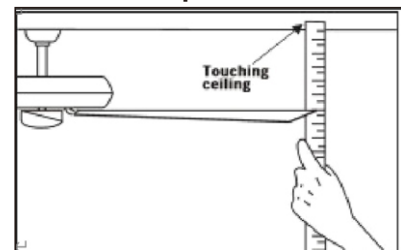
### **BALANCING A WOBBLING CEILING FAN:**

For your convenience, a Balancing Kit is included; please follow this procedure when balancing the fan:

- 1.Check that all blade and blade arm screws are secure.
- 2.Most fan wobbling problems are caused when blade levels are unequal. Check this level by selecting a point on the ceiling above the tip of one of the blades. Measure this distance.Rotate the fan until the next blade is positioned for measurement. Repeat for each blade. The distance deviation should be equal within 1/8"(0.32cm).

3.Use the enclosed Blade Balancing Kit if the blade wobble is still noticeable.

- 4.If the blade wobble is still noticeable, interchanging two adjacent (side by side) blades can redistribute the weight and possibly result in smoother operation. **WARNING: TO REDUCE THE RISK OF PERSONAL INJURY, DO NOT BEND THE BLADE ARM WHILE INSTALLING, BALANCING THE BLADES, OR CLEANING THE FAN. DO NOT INSERT FOREIGN OBJECTS BETWEEN ROTATING FAN BLADES.**



### **NOISE**

When it is quiet(especially at night) you may hear occasional small noises. This is normal. Please allow a 24-hour “breaking-in” period, most noises associated with a new fan disappear during the time.

### **CARE AND CLEANING**

- 1.Periodic cleaning of your ceiling fan is the only maintenance required. Use a soft brush or lint free cloth to avoid scratching the paint finish. Please make sure to turn off electricity power before you clean your fan
- 2.Do not use water when cleaning your ceiling fan. It could damage the motor or the blades and create the possibility of an electrical shock.
- 3.Motor has permanently lubricated ball bearing. No need to oil

**NOTE: MAKE SURE THE POWER IS OFF AT THE ELECTRICAL PANEL BOX BEFORE YOU ATTEMPT ANY CLEANING OR REPAIRS.**