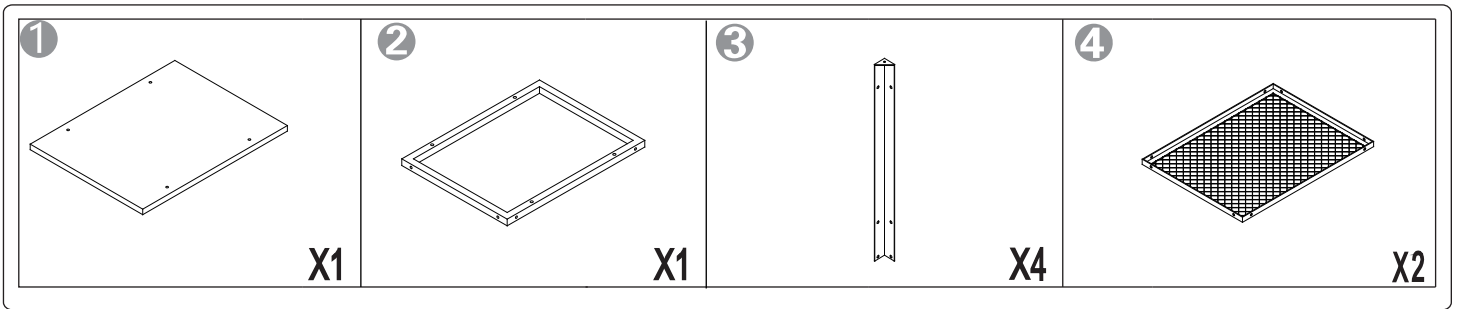
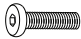




READ AND SAVE THIS INSTRUCTION FOR FUTURE USE

ASSEMBLY INSTRUCTION

Part List



PART NO.	QTY.	PARTS	
A	4	M6x28mm	
B	24	M6x10mm	
C	4	M6x20(Φ30)	

PART NO.	QTY.	PARTS	
E	1	M4	