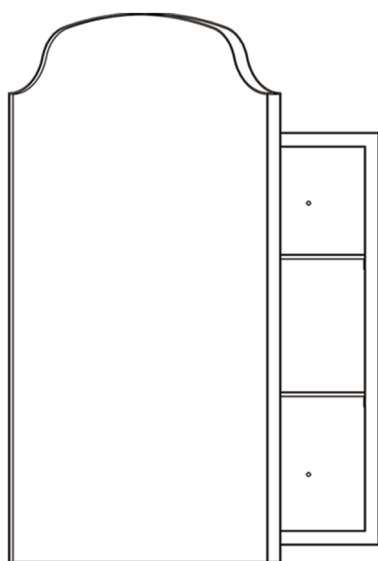
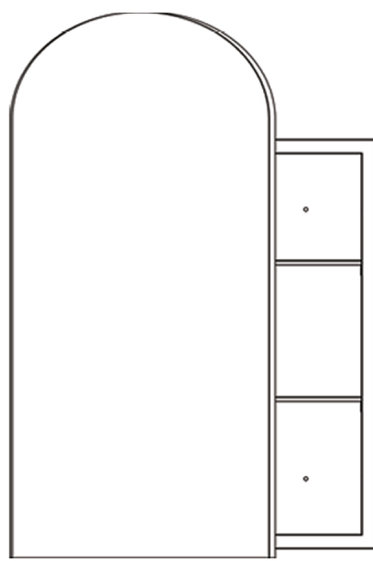


MIRROR CABINET

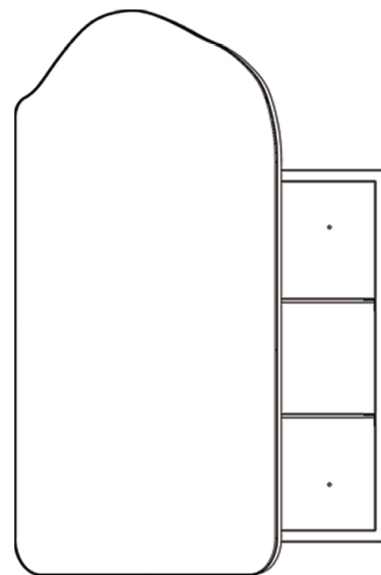
Installation Guide



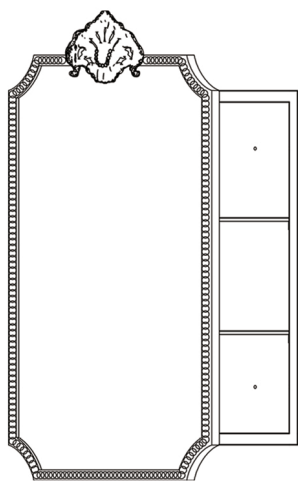
NBMC001



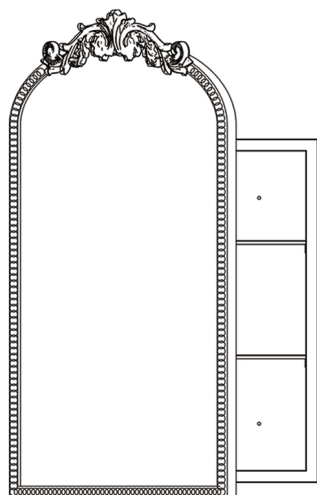
NBMC002



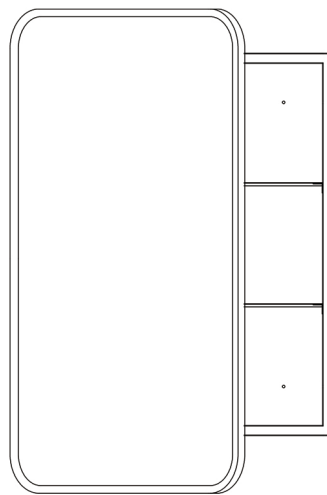
NBMC003



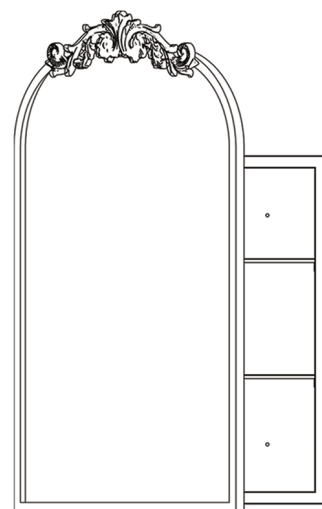
NBMC004



NBMC004



NBMC005



NBMC006



**After-sales mailbox:
Dekin2025@outlook.com**

NOTICE

EN

Please keep these instructions for future reference.

Dear Customer

● Thank you for your purchase. When you receive the product, please make sure that all the parts are intact. If any parts are missing, please contact us promptly to request replacement parts.

● Then follow the entire installation instructions to install.

● Each part is crucial, so please be careful not to lose any. It is recommended to store parts with different lettered identifiers in separate boxes or bags to avoid confusion during installation.

A . The outer box is damaged

B . The product is damaged / bent / cracked while you open the box

C . The parts / accessories / assembly tools are missing

D . The instructions are not clear and can not be referred

E . The product has functional problems

F . Other aspects that you are not satisfied with

Please feel free to contact us for help, and provide the following information:

Platform/Shop name/Order ID/buyer's name/ receiver's address/Problem description.

(Dekin2025@outlook.com) will reply within 24 hours and will do our best to resolve the problem for you.



IMPORTANT

1. This product contains glass components. Exercise caution during installation or operation to prevent personal injury or product damage. If glass breaks, immediately cease use and contact your dealer or manufacturer for replacement.

2. Before installation, ensure the mounting surface is dry and capable of bearing at least four times the fixture's weight to guarantee installation safety.

If additional power supply is required, strictly adhere to current building codes.

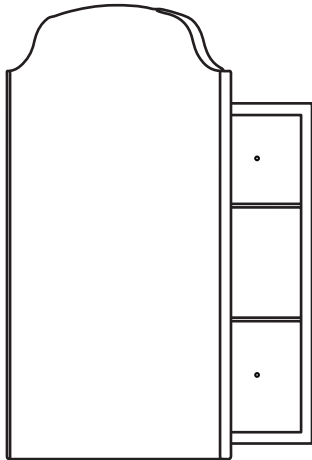
3. Before drilling for mounting, carefully avoid any concealed existing wiring or piping. Complete installation following these steps:

MAINTENANCE CLEANING

Cabinet(s) should only be cleaned with a clean chamois leather moistened with warm water, and given a final polishing buff with a soft, lint-free cloth.

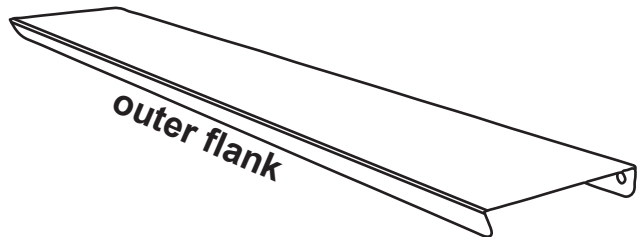
NBMC001

1



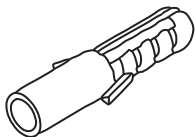
Medicine Cabinet x1

2



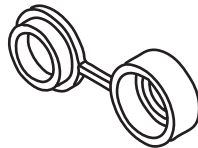
Shelf x2

3



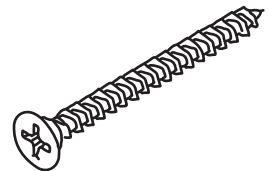
Rubber plug screws x5

4



Screw cover x5

5

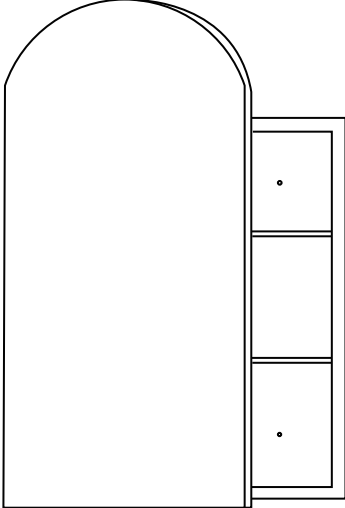
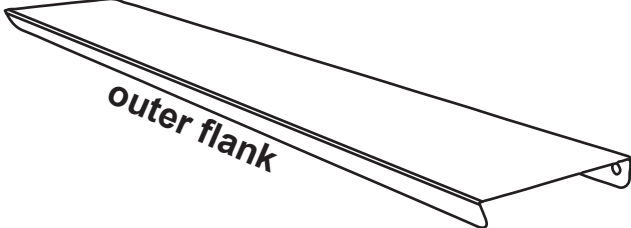
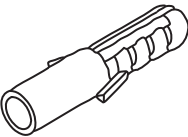
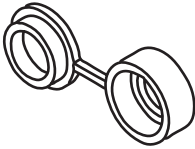
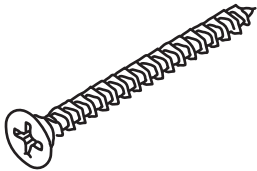


Metal screws x5

Rough Wall opening

Overall Size	Rough wall Opening
15.75in(W)X23.62in(H)X4.33in(D)	14.5in(W)X16.9in(H)X3.1in(D)
19.7in(W)X29.9in(H)X4.33in(D)	18.45in(W)X22.78in(H)X3.1in(D)
23.62in(W)X35.43in(H)X4.33in(D)	22.39in(W)X22.78in(H)X3.1in(D)

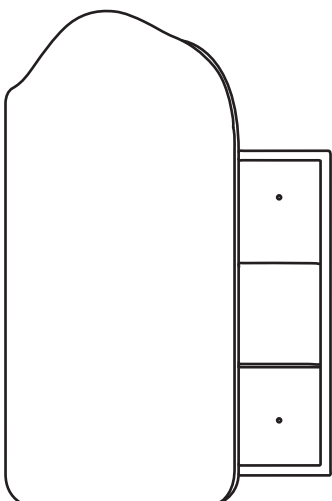
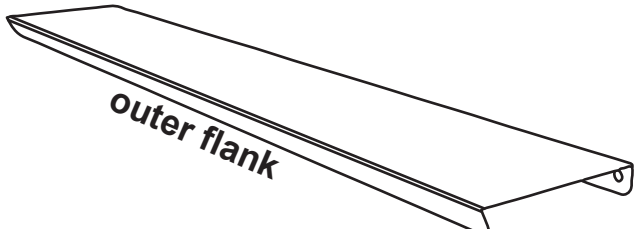
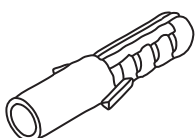
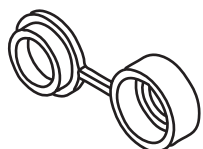
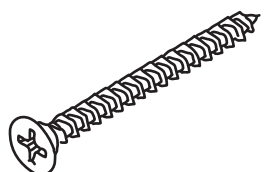
NBMC002

<p>1</p>  <p>Medicine Cabinet x1</p>	<p>2</p>  <p>Shelf x2</p>	
<p>3</p>  <p>Rubber plug screws x5</p>	<p>4</p>  <p>Screw cover x5</p>	<p>5</p>  <p>Metal screws x5</p>

Rough Wall opening

Overall Size	Rough wall Opening
15.75in(W)X23.62in(H)X4.03in(D)	14.5in(W)X16.9in(H)X3.1in(D)
19.7in(W)X29.9in(H)X4.03in(D)	18.45in(W)X22.78in(H)X3.1in(D)
23.62in(W)X35.43in(H)X4.03in(D)	22.39in(W)X22.78in(H)X3.1in(D)

NBMC003

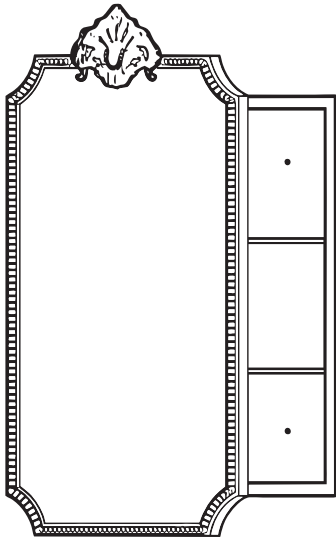
<p>1</p>  <p>Medicine Cabinet x1</p>	<p>2</p>  <p>Shelf x2</p>	
<p>3</p>  <p>Rubber plug screws x5</p>	<p>4</p>  <p>Screw cover x5</p>	<p>5</p>  <p>Metal screws x5</p>

Rough Wall opening

Overall Size	Rough wall Opening
<p>19.7in(W)X29.9in(H)X4.03in(D) 23.62in(W)X35.43in(H)X4.03in(D)</p>	<p>18.45in(W)X18.84in(H)X3.1in(D) 22.39in(W)X22.78in(H)X3.1in(D)</p>

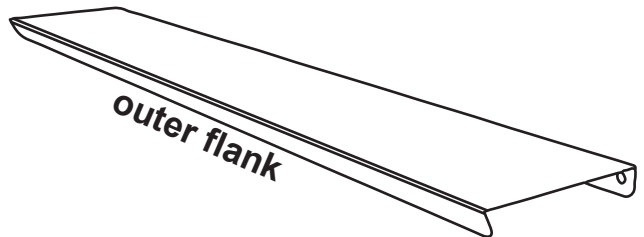
NBMC004

1



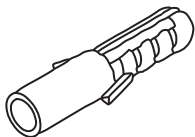
Medicine Cabinet x1

2



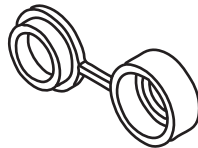
Shelf x2

3



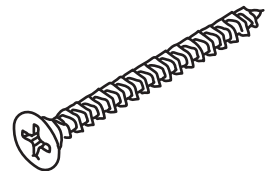
Rubber plug screws x5

4



Screw cover x5

5



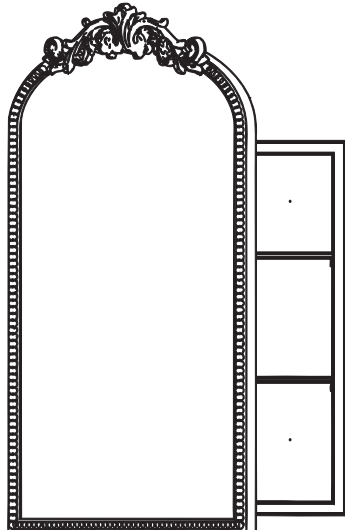
Metal screws x5

Rough Wall opening

Overall Size	Rough wall Opening
15.75in(W)X23.62in(H)X4.92in(D)	14.5in(W)X16.9in(H)X3.1in(D)
23.62in(W)X35.43in(H)X4.92in(D)	22.39in(W)X22.78in(H)X3.1in(D)

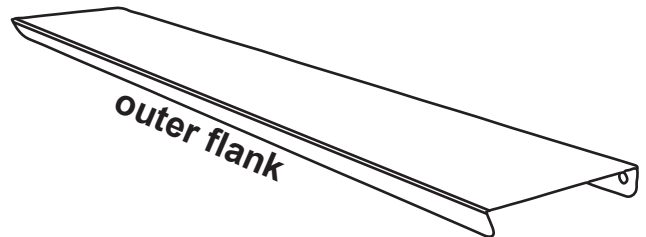
NBMC004

1



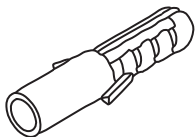
Medicine Cabinet x1

2



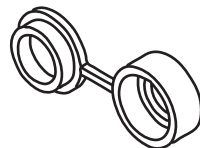
Shelf x2

3



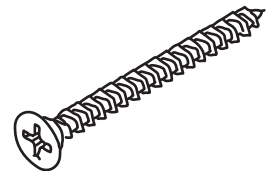
Rubber plug screws x5

4



Screw cover x5

5



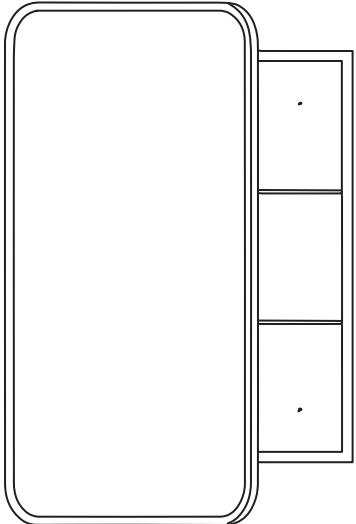
Metal screws x5

Rough Wall opening

Overall Size	Rough wall Opening
15.75in(W)X23.62in(H)X4.92in(D) 23.62in(W)X35.43in(H)X4.92in(D)	14.5in(W)X16.9in(H)X3.1in(D) 22.39in(W)X22.78in(H)X3.1in(D)

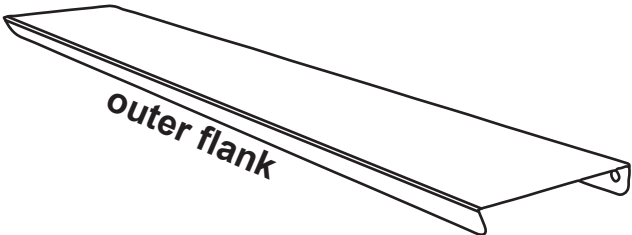
NBMC005

1



Medicine Cabinet x1

2



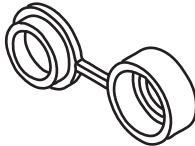
Shelf x2

3



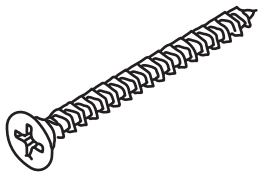
Rubber plug screws x5

4



Screw cover x5

5

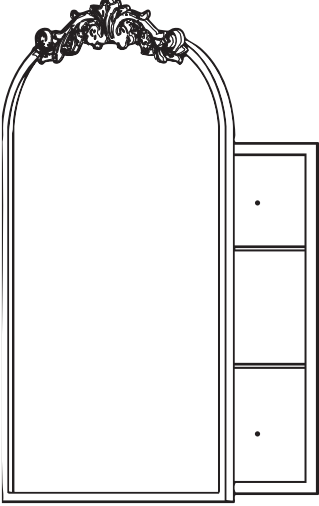
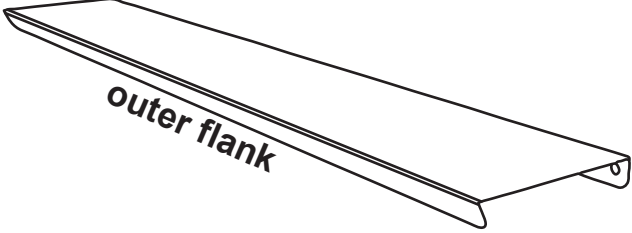
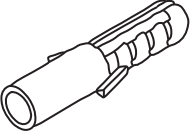
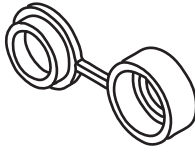
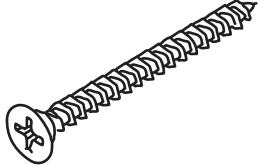


Metal screws x5

Rough Wall opening

Overall Size	Rough wall Opening
19.7in(W)X29.9in(H)X4.52in(D)	18.45in(W)X22.78in(H)X3.1in(D)
23.62in(W)X35.43in(H)X4.52in(D)	22.39in(W)X22.78in(H)X3.1in(D)

NBMC006

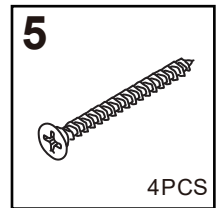
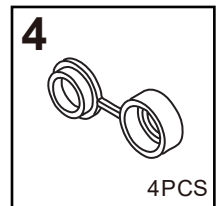
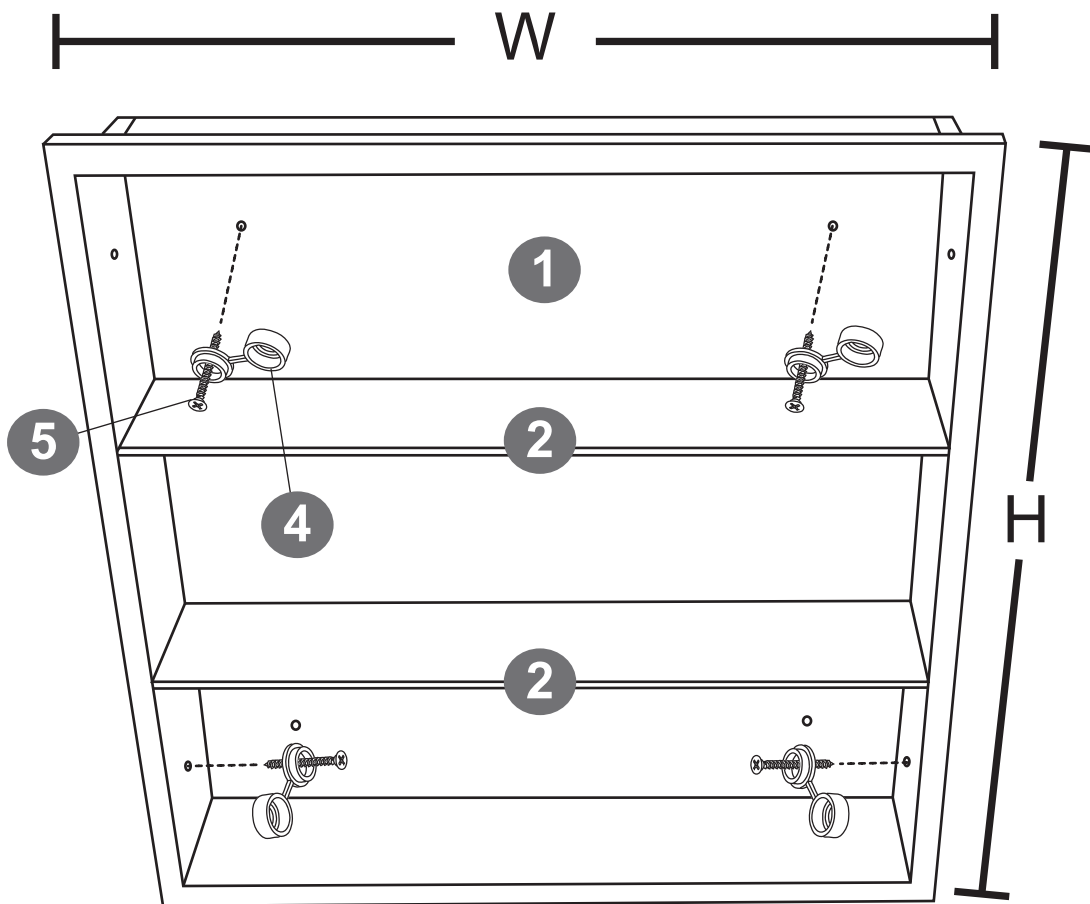
<p>1</p>  <p>Medicine Cabinet x1</p>	<p>2</p>  <p>Shelf x2</p>	
<p>3</p>  <p>Rubber plug screws x5</p>	<p>4</p>  <p>Screw cover x5</p>	<p>5</p>  <p>Metal screws x5</p>

Rough Wall opening

Overall Size	Rough wall Opening
<p>15.75in(W)X23.62in(H)X4.92in(D) 23.62in(W)X35.43in(H)X4.92in(D)</p>	<p>14.5in(W)X16.9in(H)X3.1in(D) 22.39in(W)X22.78in(H)X3.1in(D)</p>

PART LIST

1



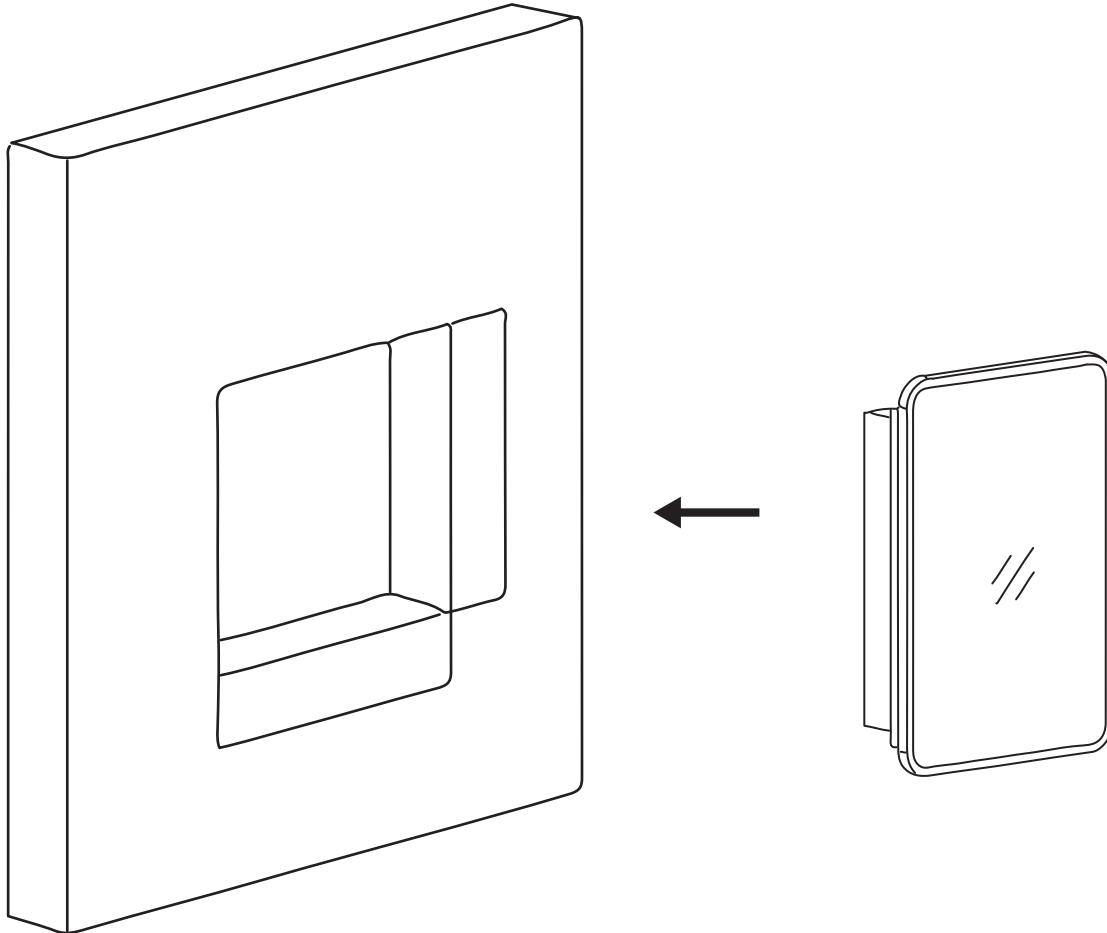
RECESSED INSTALLATION

Step 1. Carefully remove all packing material. Place shelves and hardware aside until needed.

Step 2. Determine the desired location of the cabinet on the wall. Mark the wall to show the wall opening size. Generally, the recommended height to the center of the cabinet is 64" from the floor.

Step 3. CAUTION: Wall studs, plumbing, or electrical lines that interfere must be removed or relocated. Cut the wall opening, being careful not to damage the surrounding wall surface. Then insert framing to support all plasterboard edges.

2



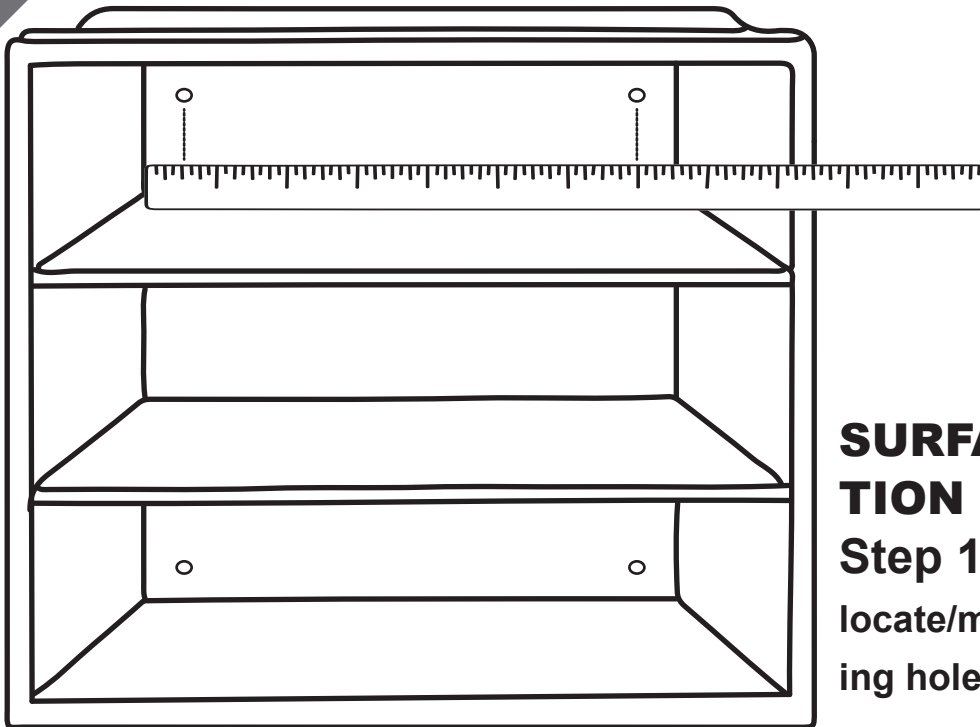
The recessed size shall be determined according to the rough wall opening size specified in Part 01 of the Parts List.

Step 4. Insert the cabinet into the wall opening in a plumb and centered position. Use a carpenter's level and shim the corners of the cabinet if necessary.

Step 5. Once the cabinet is inserted into the wall, measure down 4" from the top and bottom of the cabinet. Center the measurement on the sides of the cabinet.

Step 6. Using a drill bit, drill a total of 4 pilot holes in the locations determined in Step 5. Secure it to the wall studs through the 4 mounting holes inside the cabinet (screws provided).

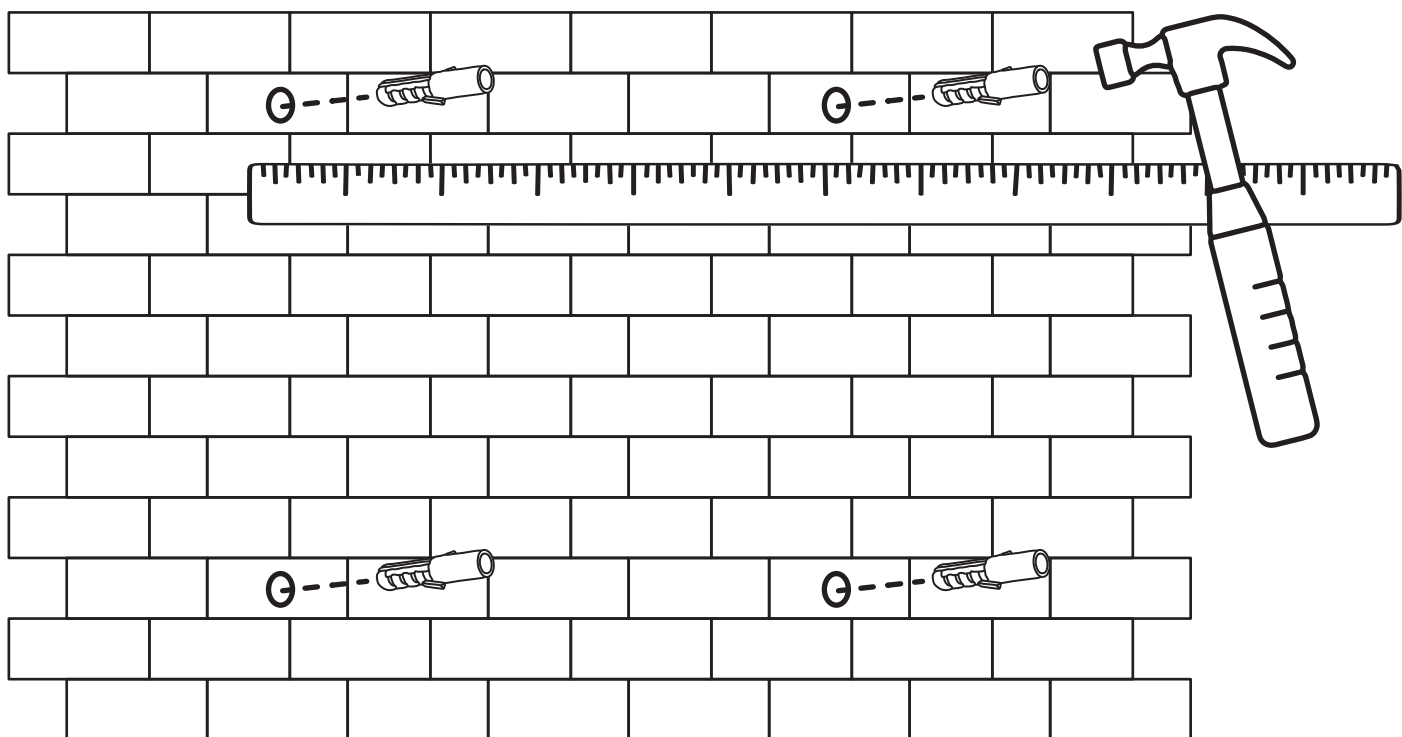
3



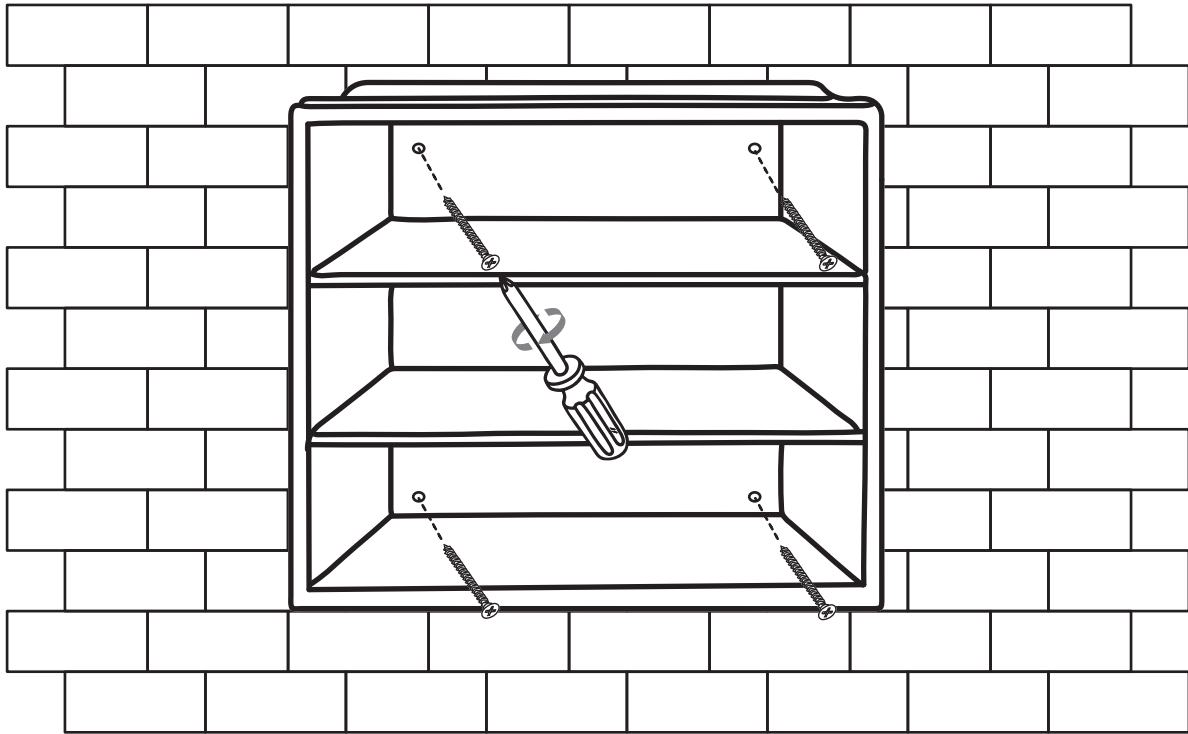
SURFACE INSTALLATION

Step 1. Open the doors and locate/measure the four mounting holes (on the cabinet).

Step 2. Mark the four mounting holes on the wall that correspond to the predrilled locations in the mounting bars on the cabinet's inside back panel.

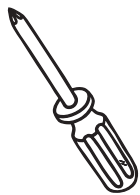


4



Step 3. With a helper holding the cabinet, drive the supplied mounting screws to secure the cabinet firmly to the mounting surface.

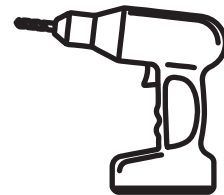
Tools Needed



Screwdriver



Hammer



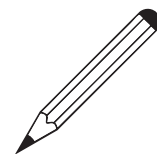
Electric drill



Tape measure



Spirit level



Marker pen

EN

AFTER-SALE SERVICE

If you have any suggestions for our products or notice any quality issues, please contact us first. Our after-sales team will respond within 24 hours and will do everything possible to provide you with a satisfactory solution.

Guaranteed Customer Service

Your shopping experience is very important to us!

Feel unsatisfied? **Contact us!**

Have any questions? **Contact us!**

Wanna Share how wonderful our smart products make your home?

Share your pictures with us.

Any suggestions? **Contact us!**

We will check and give feedback.



Dekin2025@outlook.com

