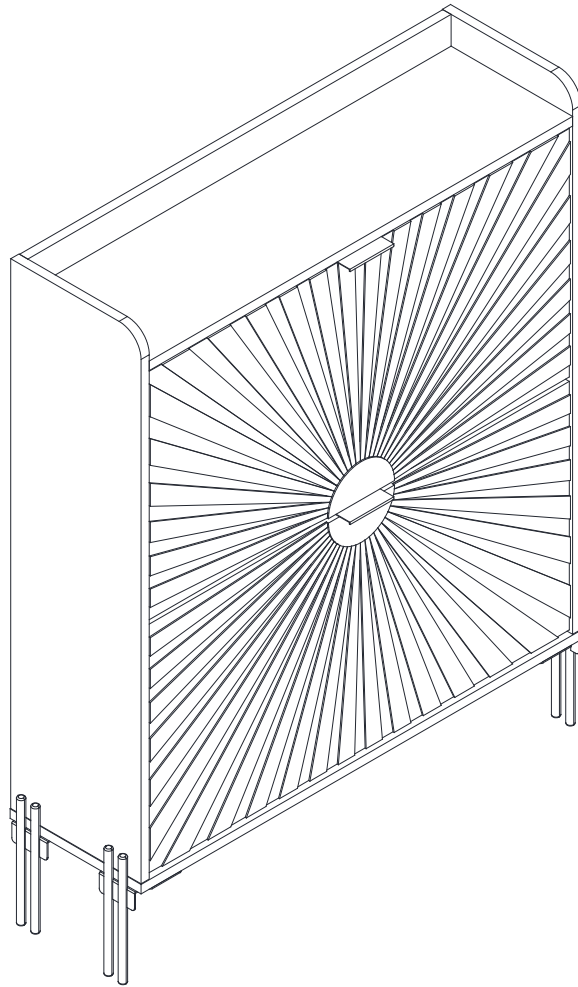


# Installation Instruction

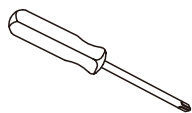


# Assembling

---

## What you need

- Use the packaging carton as a working surface to prevent product damage during assembly
- Phillips head screwdriver



---

## Weight Limitation



**55**

lbs Cabinet Top

**11**

lbs Small  
Partition Board

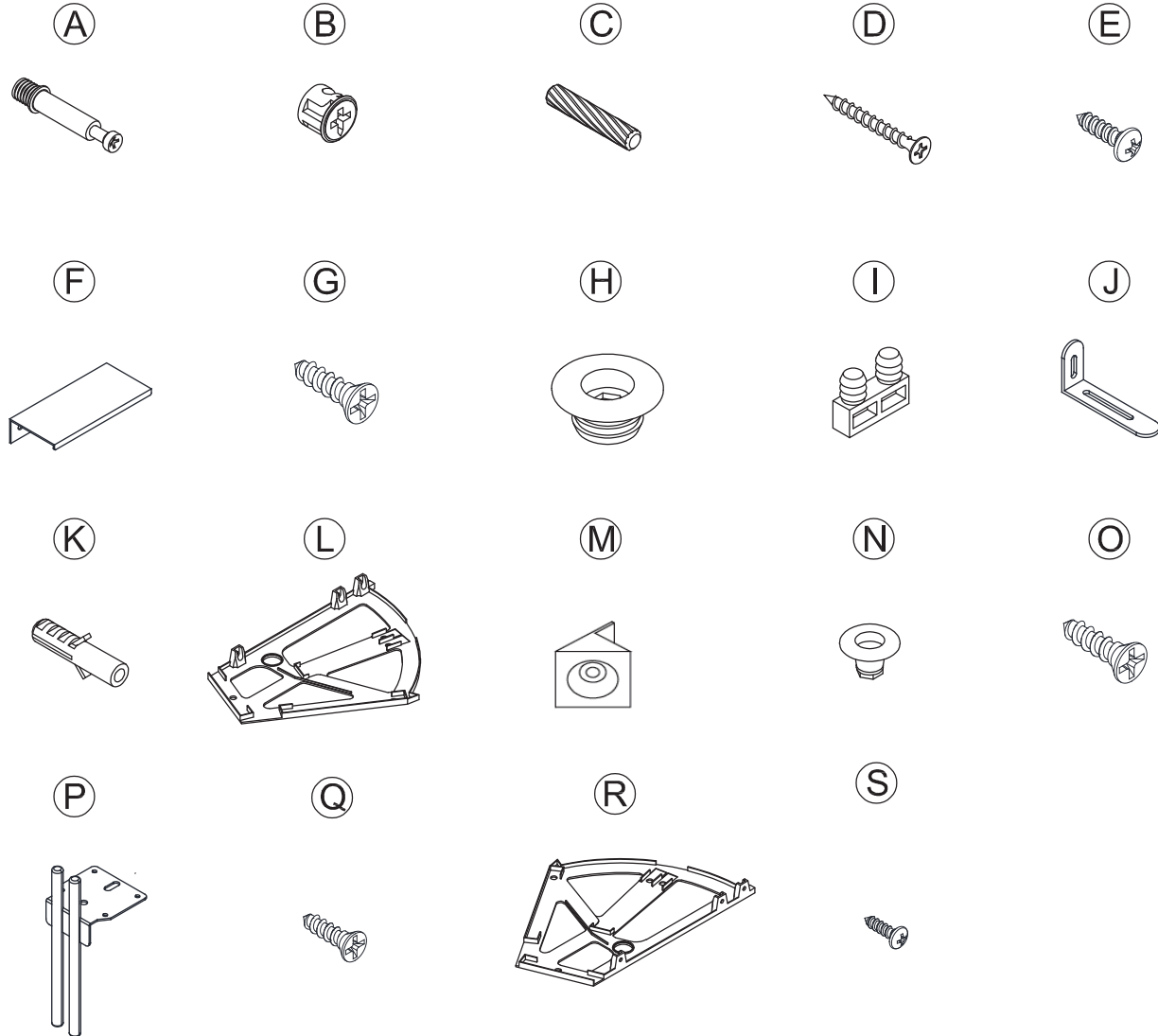


**2 PERSONS**

## What's included

Code	Description	Qty
A	Cam Bolt M6X35MM	10
B	Cam Lock 15X10MM	10
C	Wooden Dowel M6X30MM	10
D	Screw M4X35MM	8
E	Screw M4X14MM	18
F	Handle	2
G	Screw M3X12MM	4
H	Inner Shaft	4
I	Plastic Stopper	4
J	Metal Connector	2
K	Anchor M6X30MM	2
L	Left Plastic Holder	2
M	Plastic Corner Support	8
N	External Shaft	4
O	Screw	24
P	Feet	4
Q	Screw M3X14MM	8
R	Right Plastic Holder	2
S	Screw M4X10MM	4

# The Hardwares



## IMPORTANT:

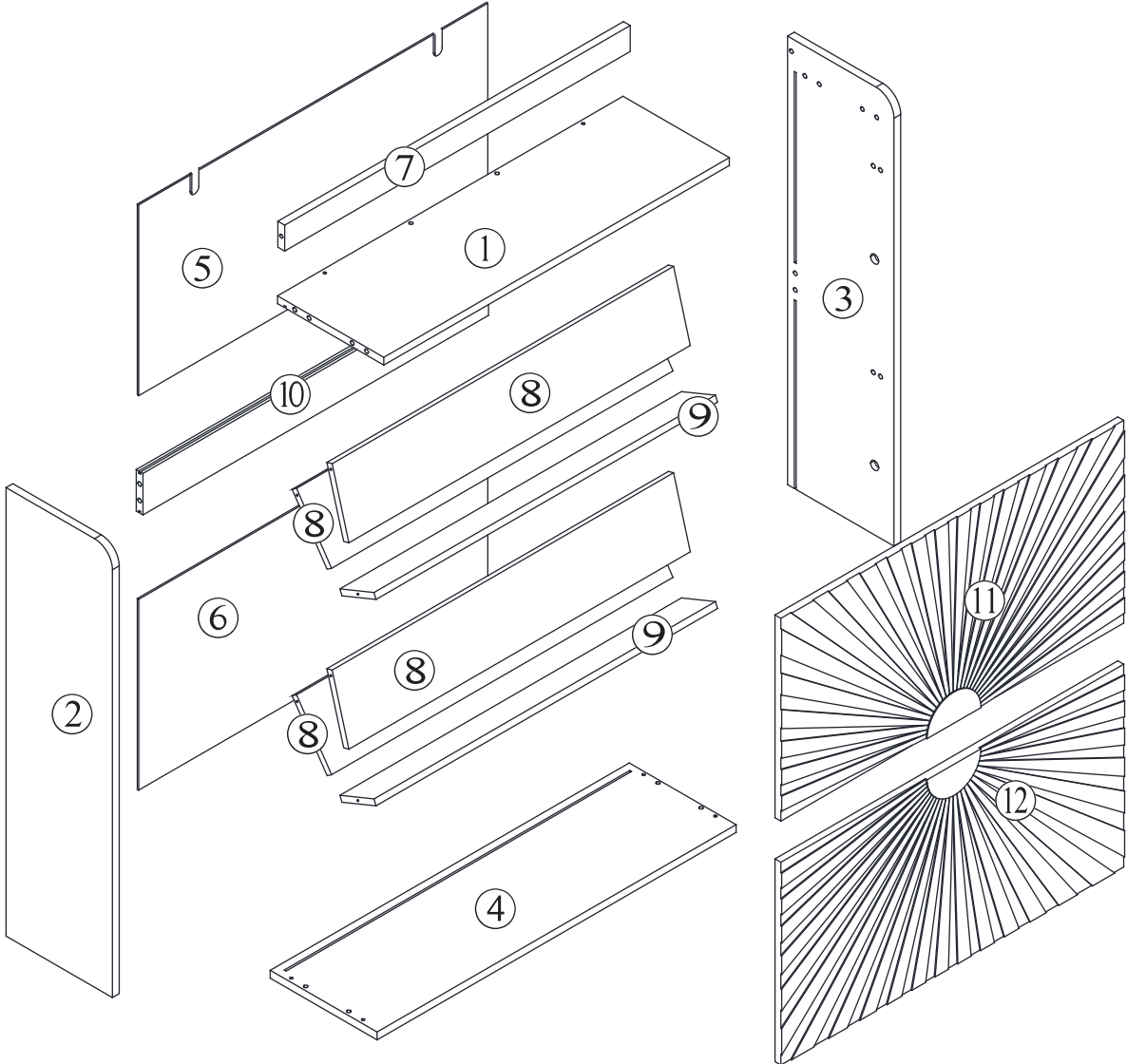
1. Do not tighten bolts / screws completely until all bolts / screws are lined up and inserted into holes.
2. Do not over tighten screws and bolts to avoid stripping.
3. Please use hand tools to assemble this product. Do not use power tools.
4. Must need 2 people to assemble this product.



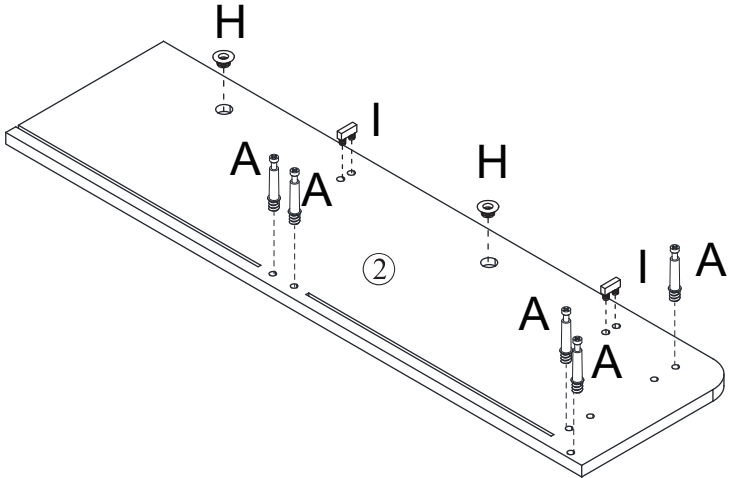
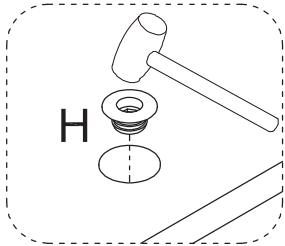
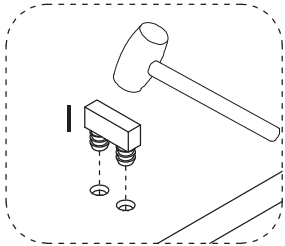
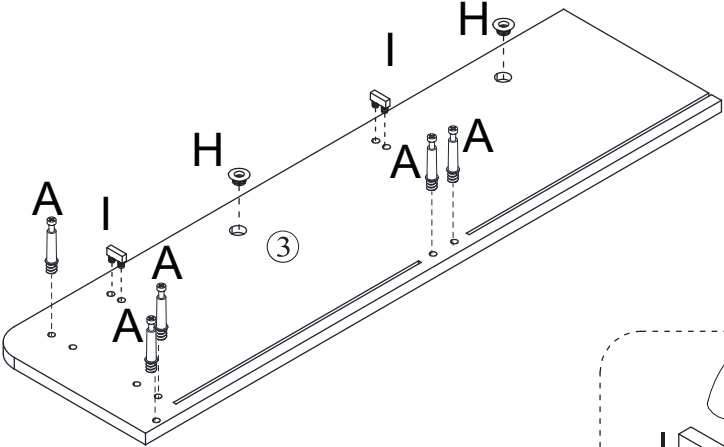
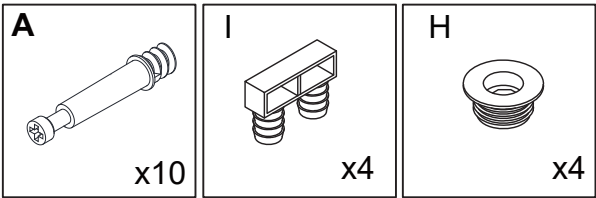
# Included Accessories

Code	Description	Qty
1	Cabinet Top	1
2	Left Side Panel	1
3	Right Side Panel	1
4	Bottom Panel	1
5	Top Back Panel	1
6	Lower Back Panel	1
7	Top Back Stretcher	1
8	Large Partition Board	4
9	Small Partition Board	2
10	Middle Back Stretcher	1
11	Top Door	1
12	Lower Door	1

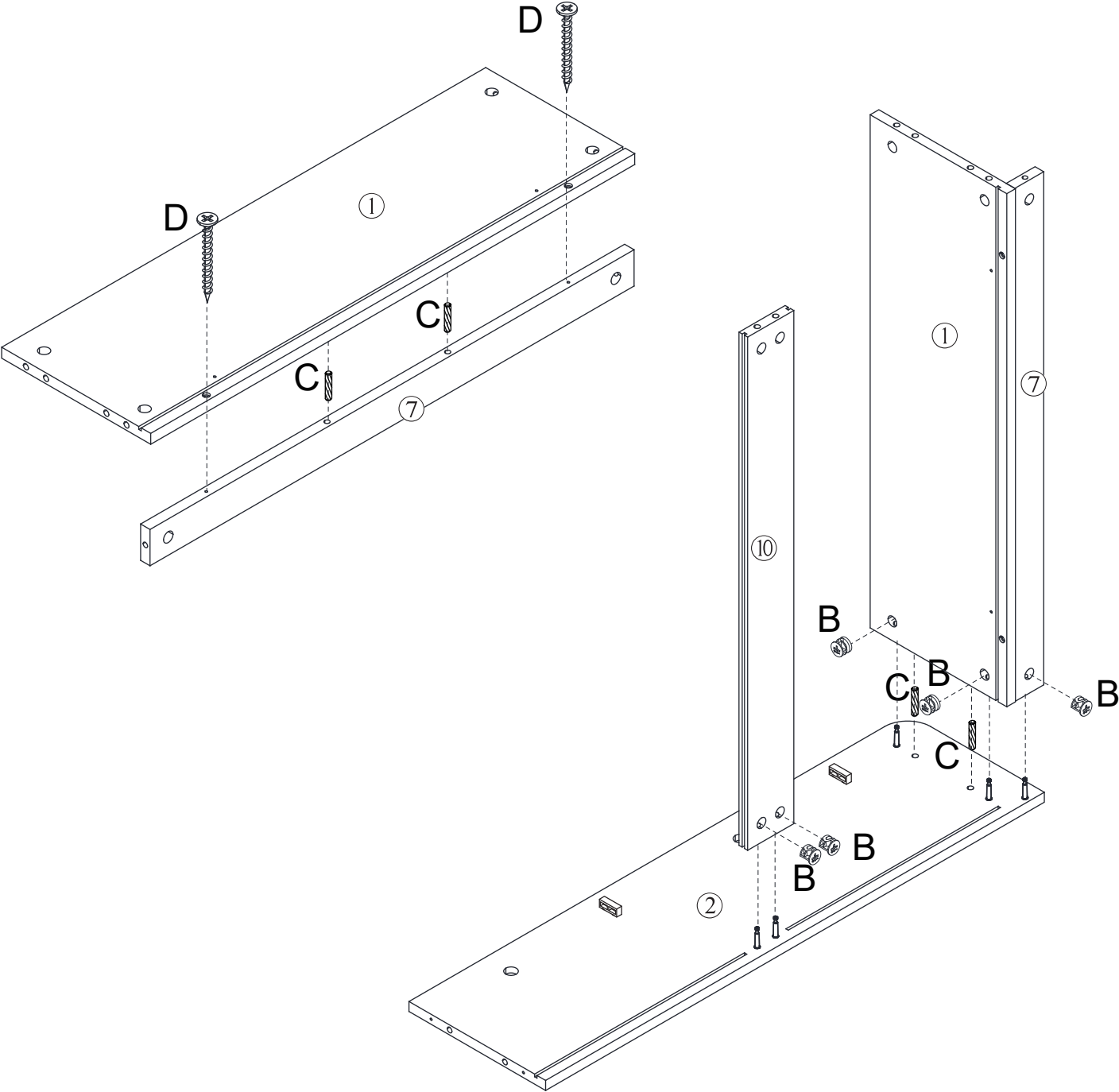
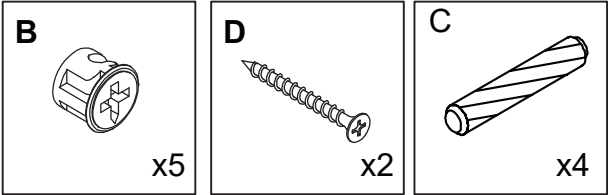
# The Accessories



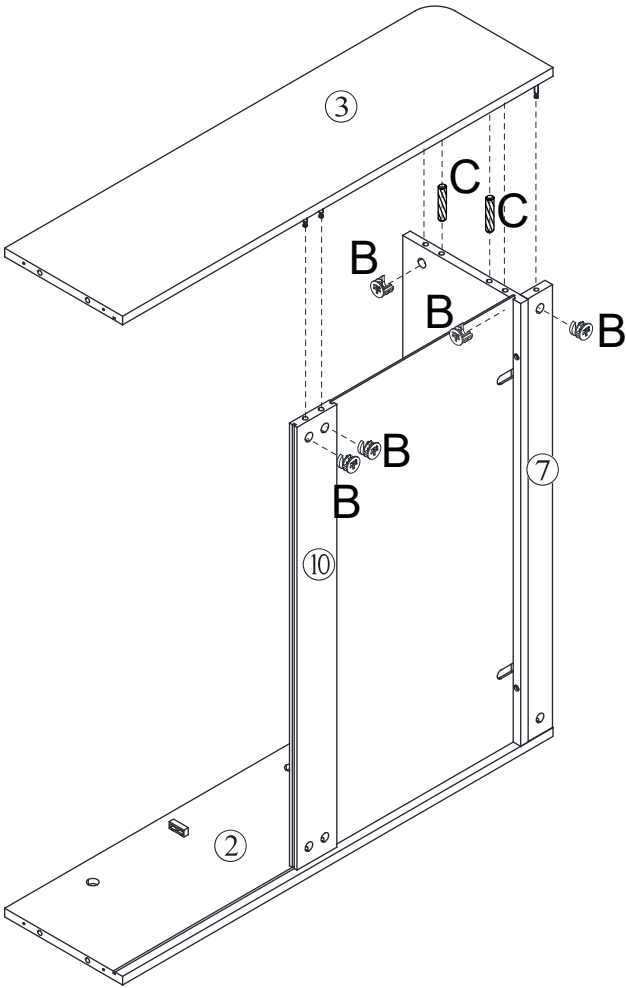
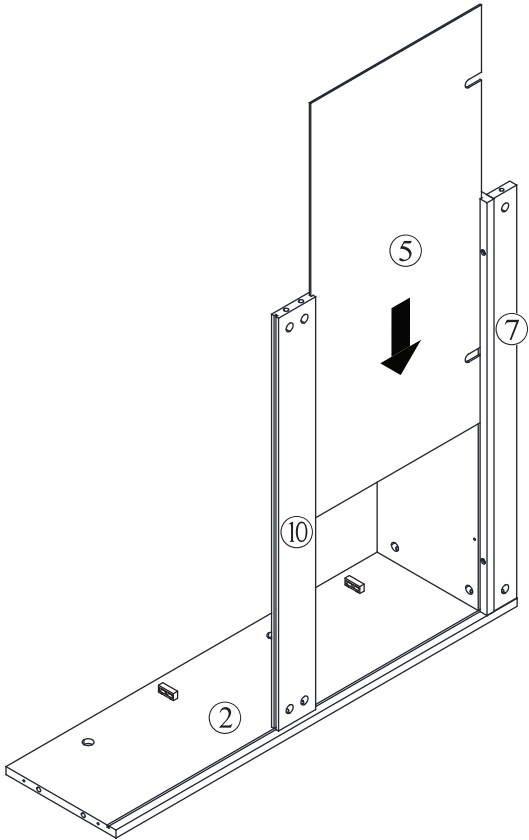
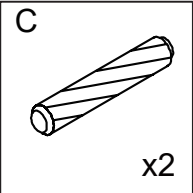
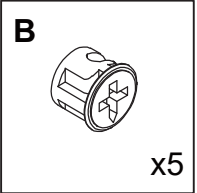
# Step 1



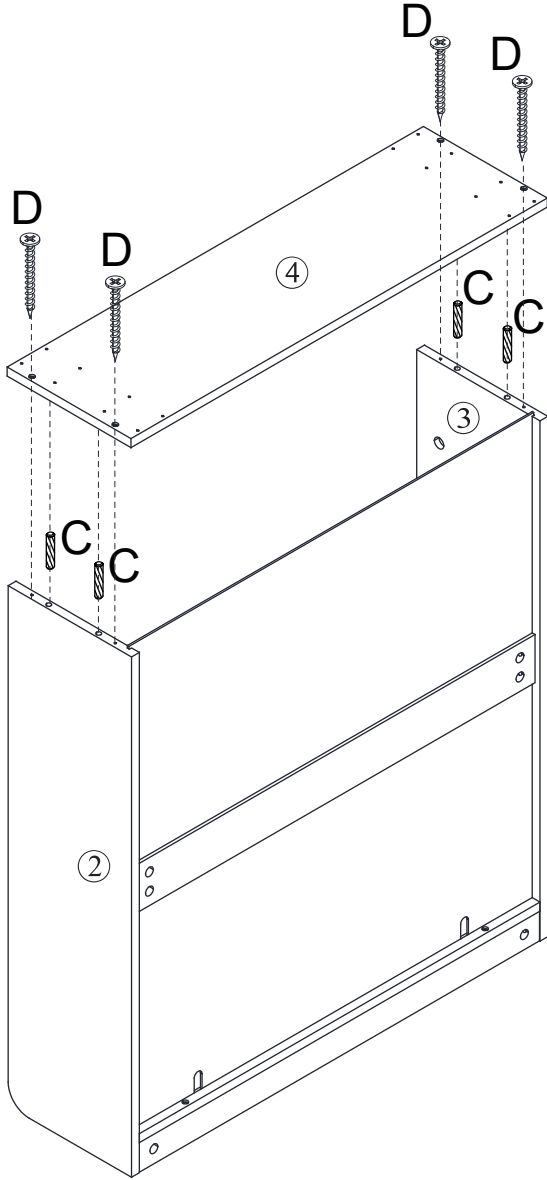
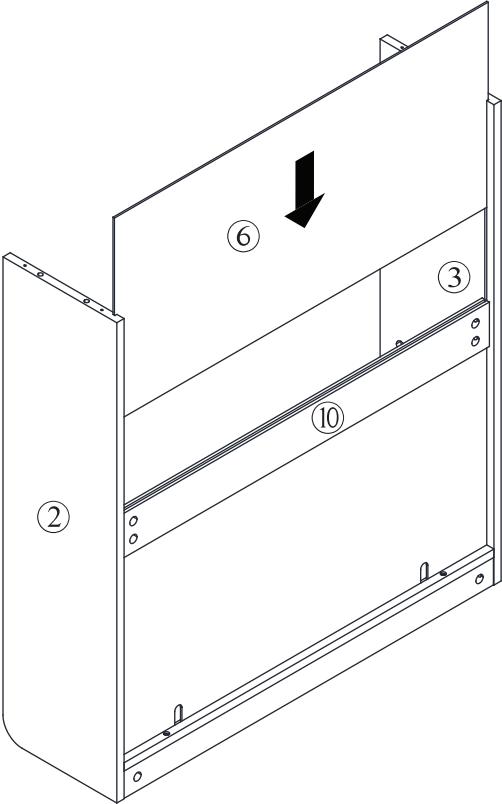
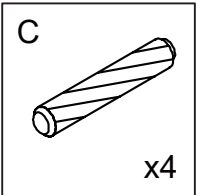
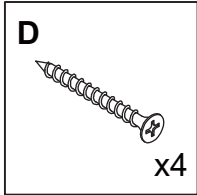
# Step 2



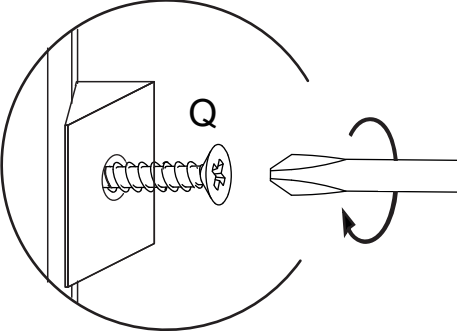
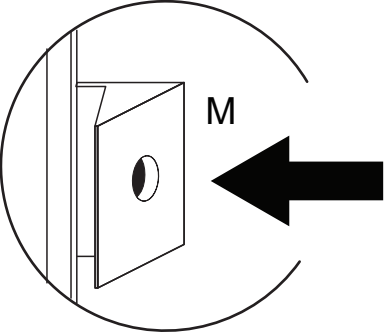
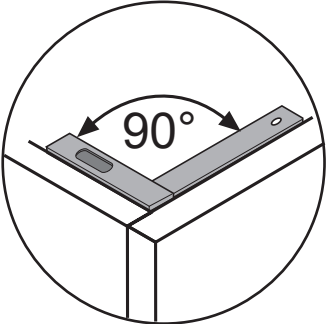
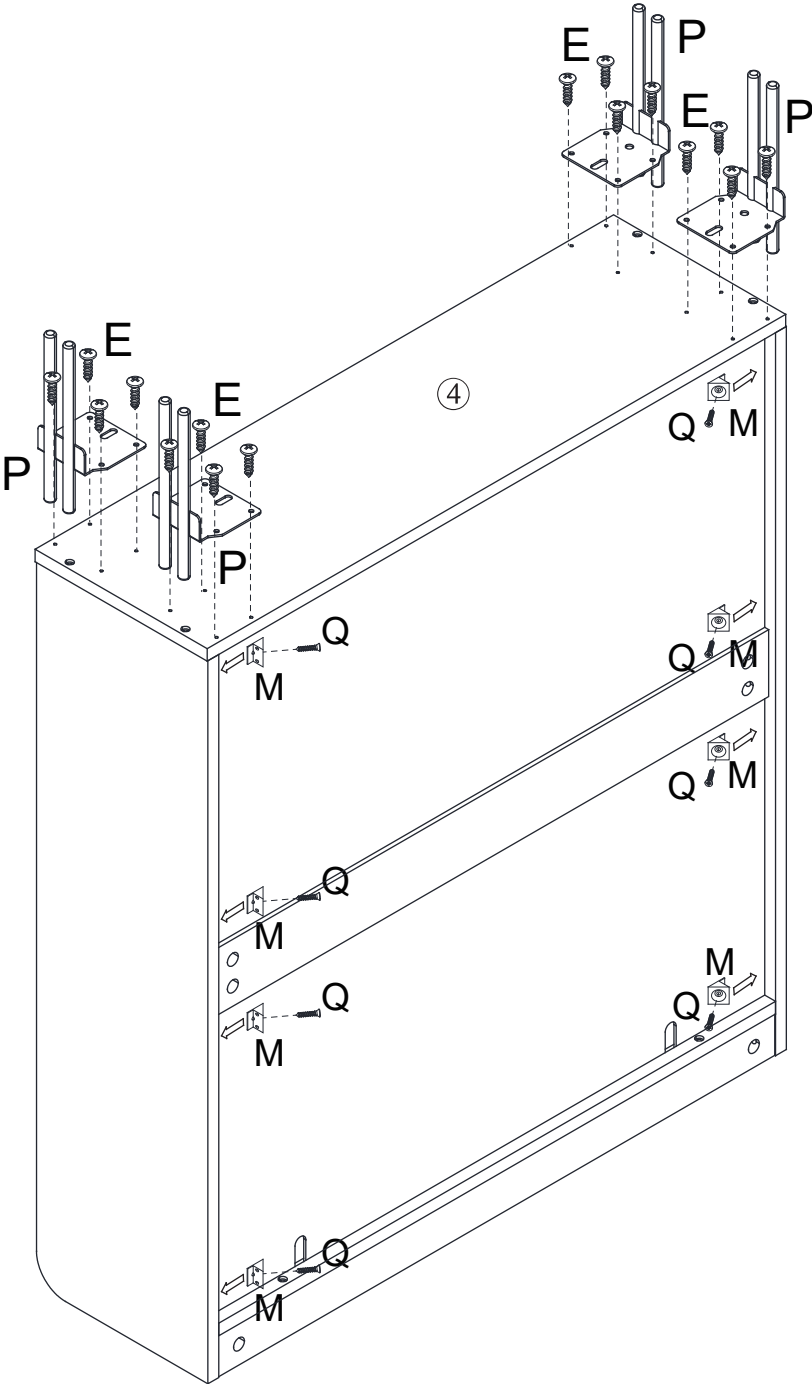
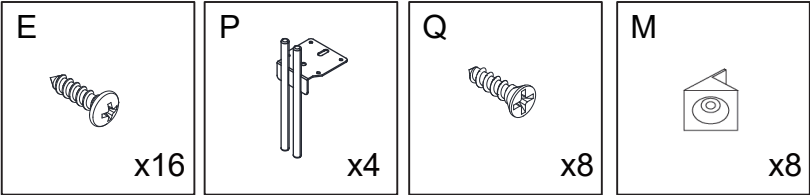
# Step 3



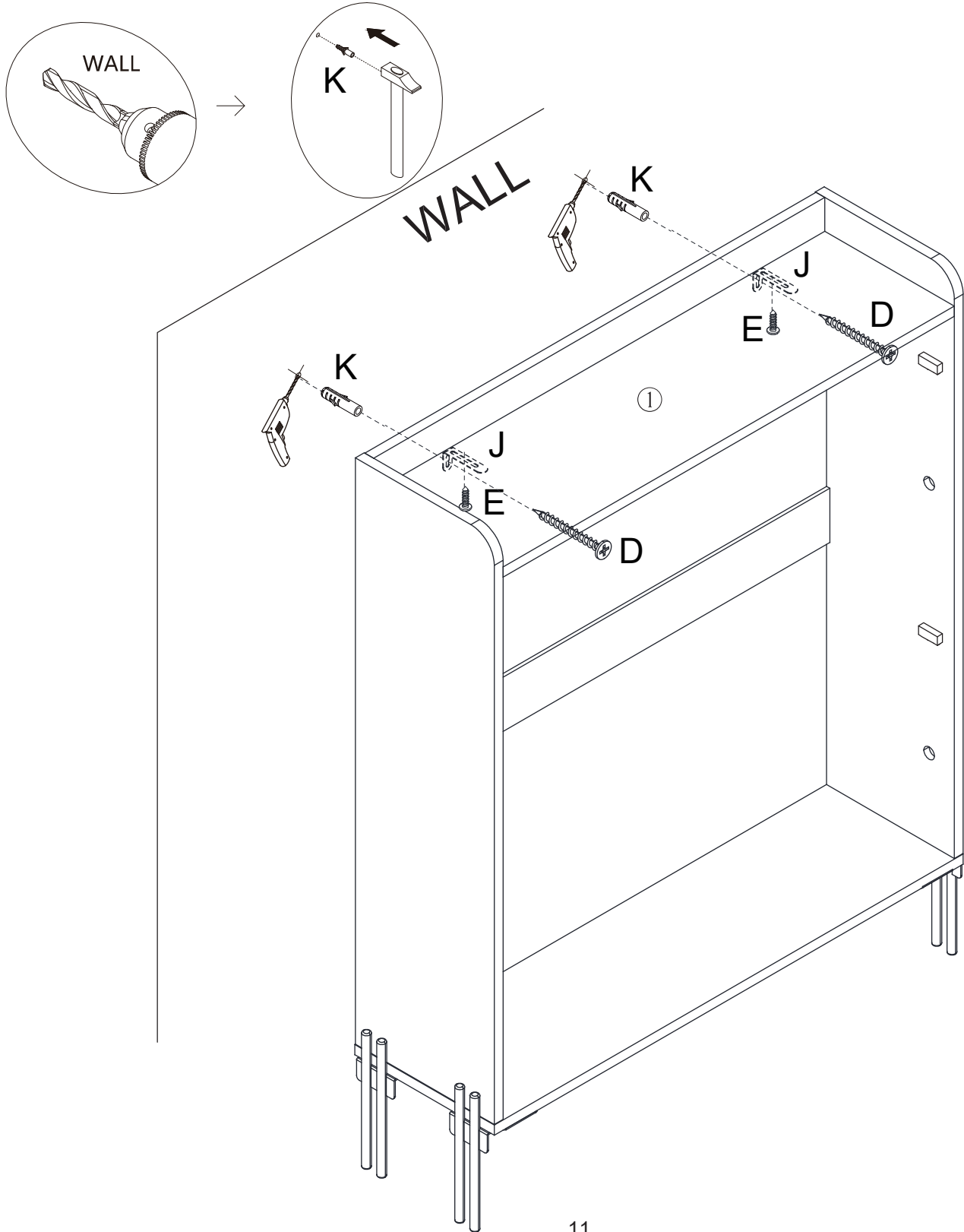
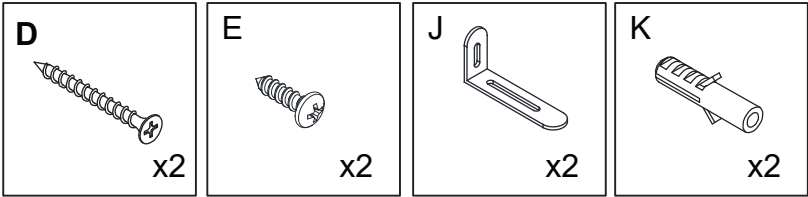
# Step 4



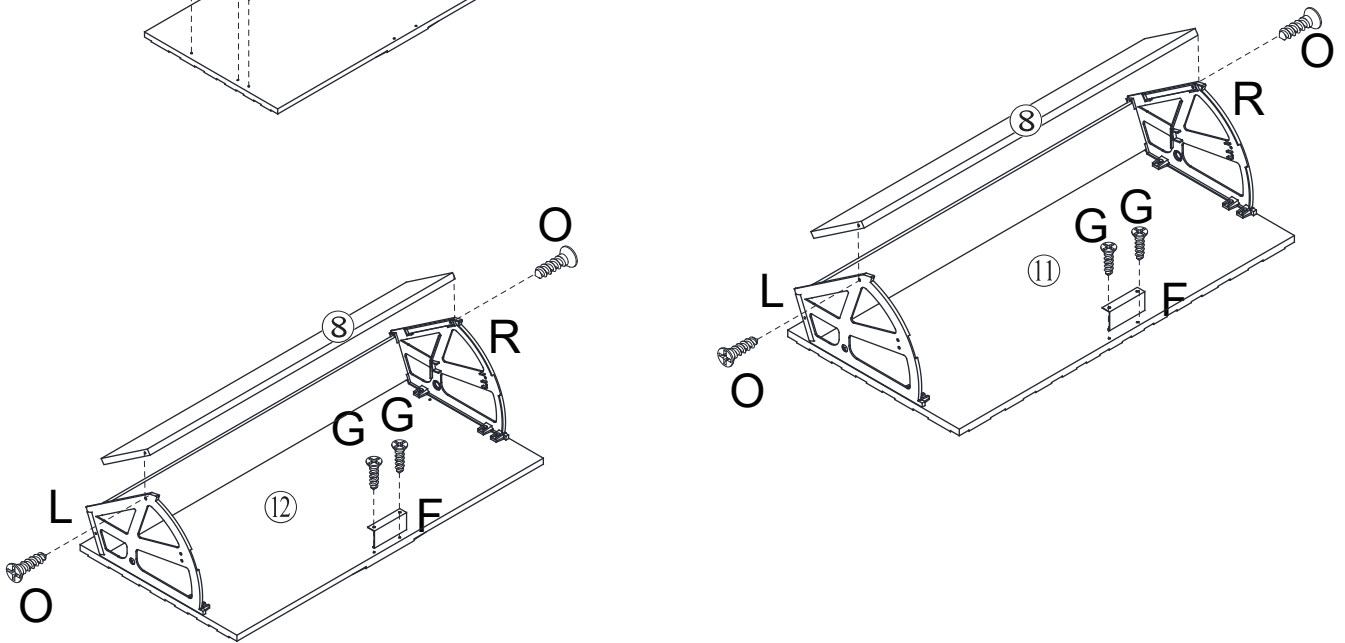
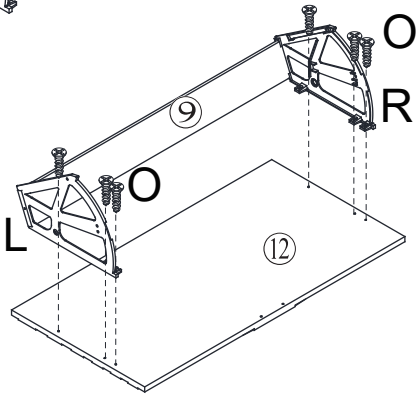
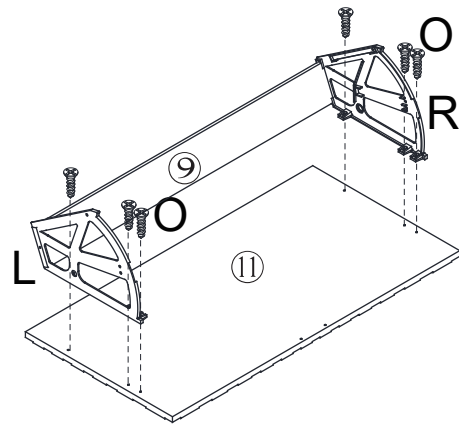
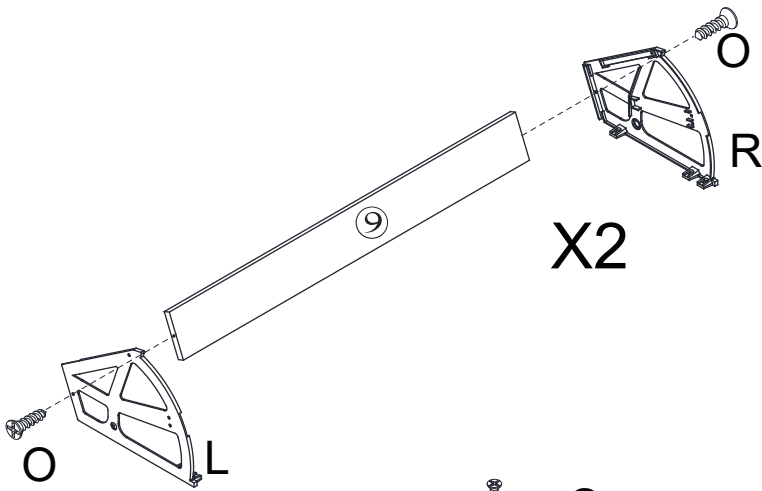
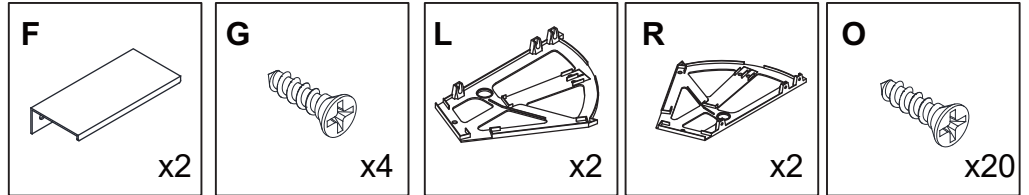
# Step 5



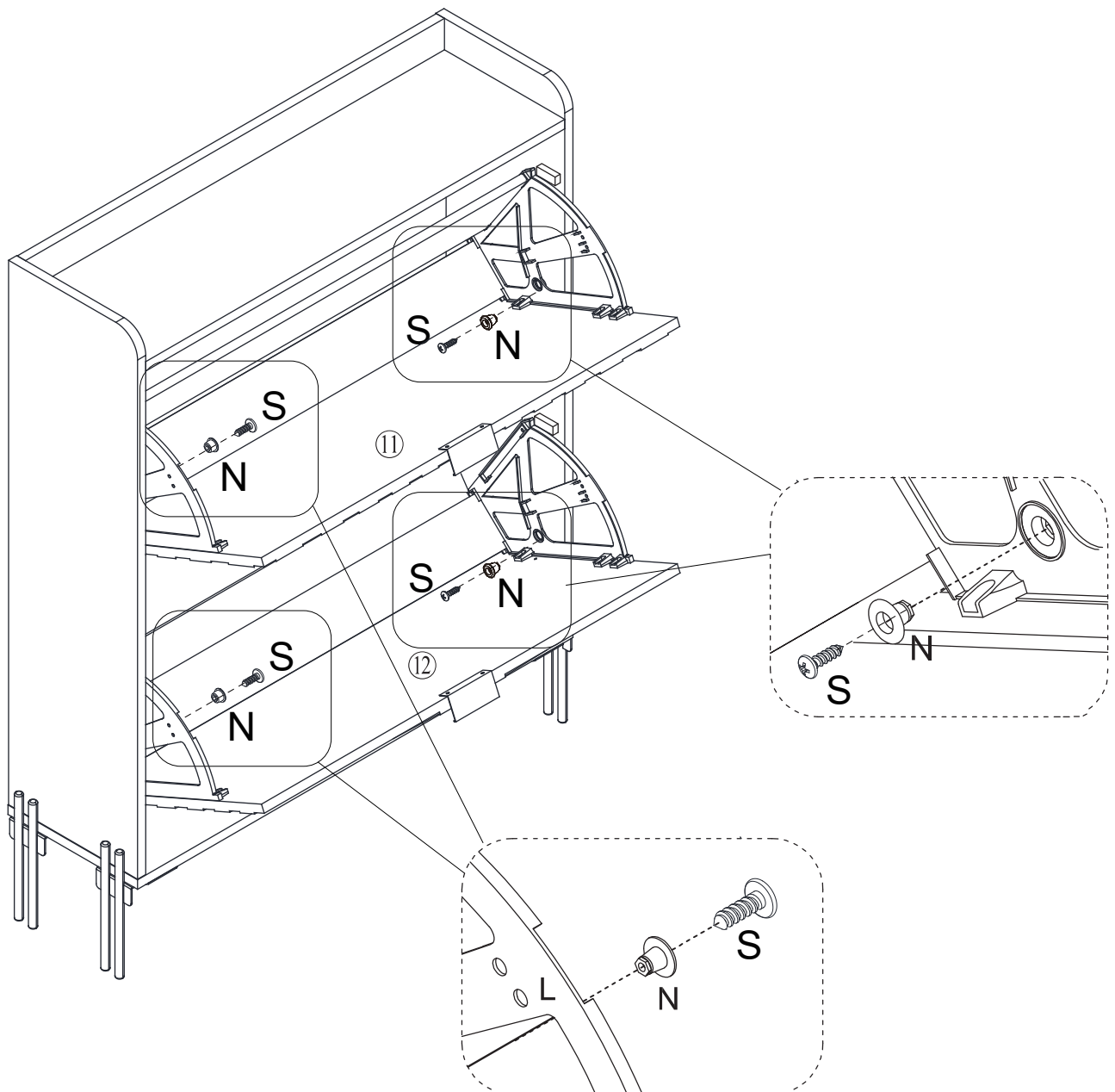
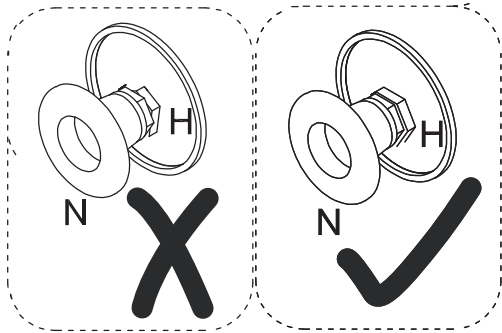
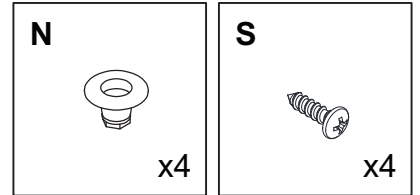
# Step 6



# Step 7



# Step 8



# Step 9

