

Assembly Instructions

Case & Maintenance



Not for commercial use. For residential use only.



Furniture may scratch floors. We recommend using furniture pads to protect your floors.



Do not put hot items directly on furniture surface.



Do not clean furniture with harsh cleansers or polish.



Do not place furniture under direct sunlight.



Do not write on furniture near heating or cooling vents.



Do not write on furniture without a padded barrier to protect the surface.



Do not place furniture outside for indoor use only



Stains may be removed with mild soap solution and damp cloth.



Children should not climb or jump on the furniture.

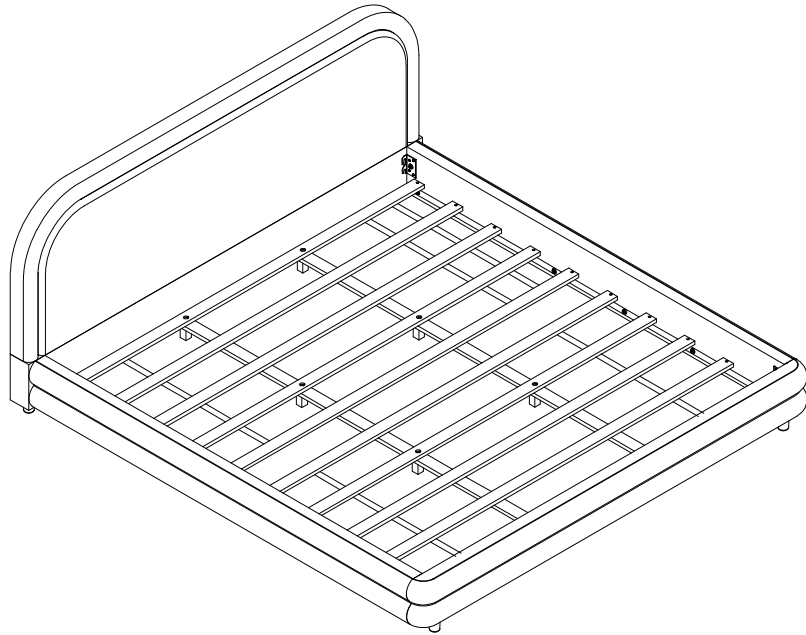


Dust and pick-upspills using a clean, non-colored, lint-free cloth.

Please look in the box for hardware packs and legs.

Sets oftenship in multiple boxes and may arrive a day or two apart.

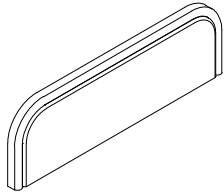
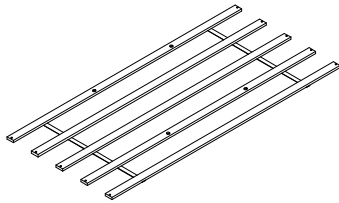
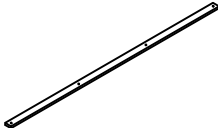
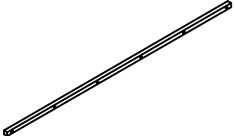

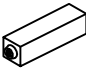
King Bed

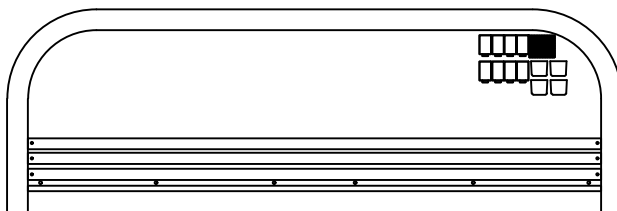


Part List

②		Headboard Storage	1
③		Side Rail(R)	1
④		Side Rail(L)	1
⑤		Footboard	1


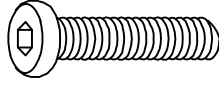
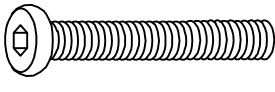






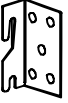
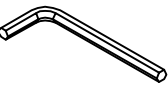
Part List

Label	Picture	Description	QTY
①		Headboard	1
⑥		Slats	2
⑦		Middle Support bar	2
⑧		Support Rail	2
⑨		Bed leg	4
⑩		Center Support Leg	8



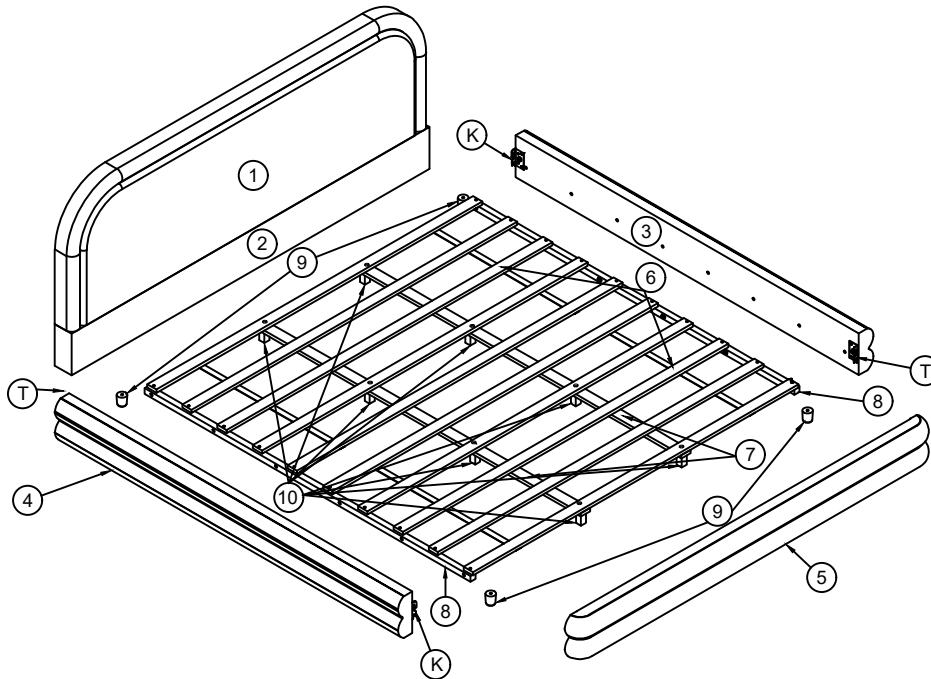
Noted : Slats (2), Support Rail(8), Bed leg(9),Center Support Leg (10), Middle Support Bar (7) and Hardware package are packed behind the Headboard (1).


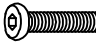







Hardware






Label	Picture	Description	QTY
(A)		Screw(4x30mm)	36+1
(B)		Bolts(5/16x30mm)	12+1
(C)		Bolts(5/16x50mm)	22+1
(D)		Bolts(1/4x50mm)	8+1
(E)		Lock washer(5/16")	34+1
(F)		Flat washer(5/16")	34+1
(G)		Lock washer(1/4")	8+1
(H)		Flat washer(1/4")	8+1
(T)		Metal pad(L)	2
(K)		Metal pad(R)	2
(M)		Allen Wrench(M4)	1+1

Assembly Preparation

Before Beginning assembly:

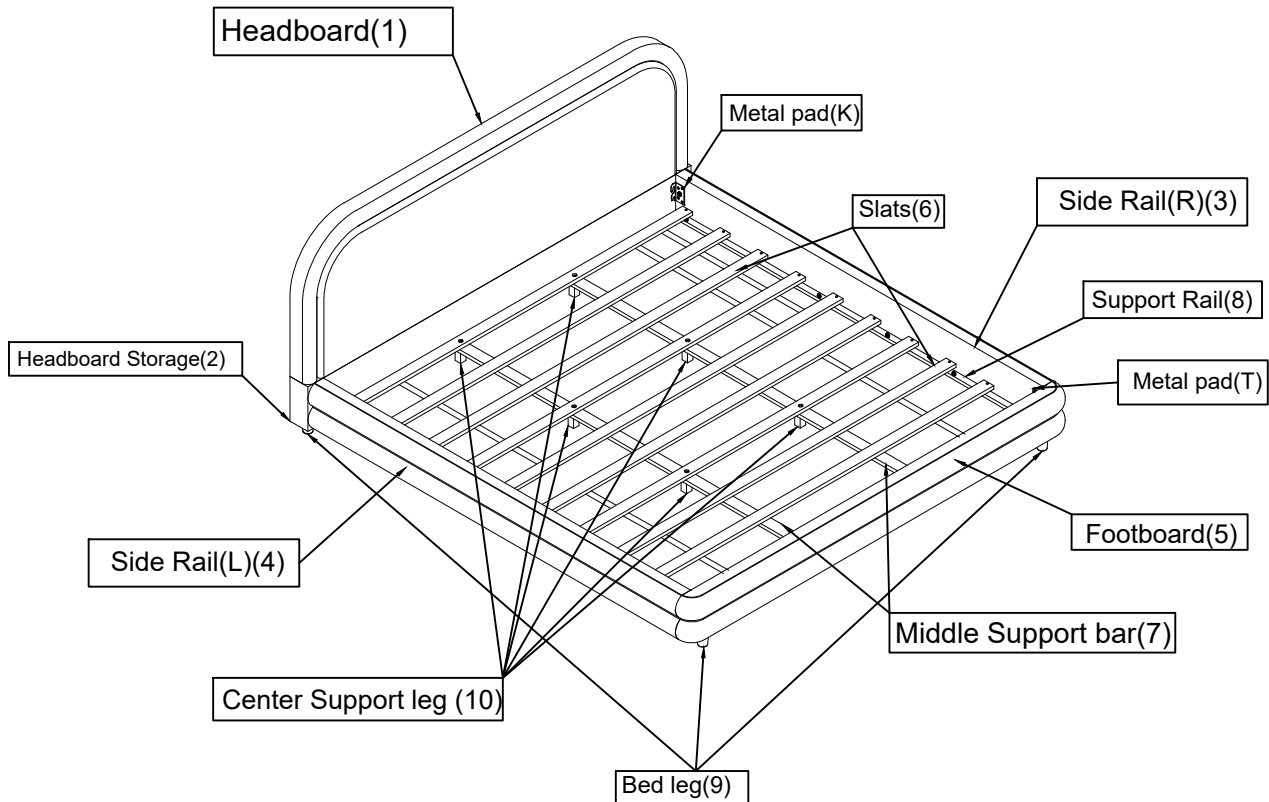


A  x 36pcs+1	C  x 22 pcs+1	E  x 34pcs+1	G  x 8pcs+1
B  x 12pcs+1	D  x 8pcs+1	F  x 34pcs+1	H  x 8pcs+1
			M  x 1pcs+1

-  Read the instructions cover to cover
-  Have 2 adults on hand for assembly
-  Do not assemble on flooring or carpet
-  Assemble on a clean, non-marring surface (packing foam)
-  Save all packaging until finished

Assembly Steps

OVERVIEW

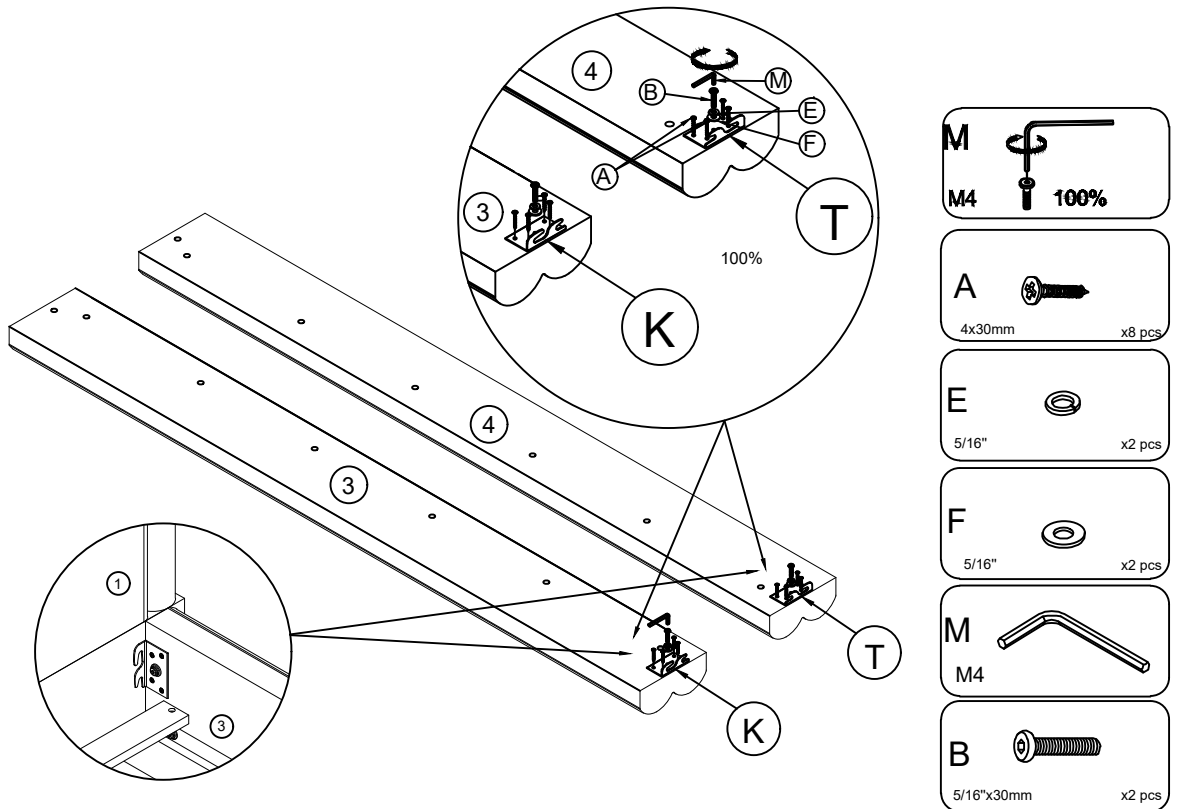


FRONT FACING

This Bed have multiple parts and may require up to 30 minutes to assemble. To give you an overview of the Bed parts, the above picture is to help you put the various parts into perspective. Please read through the instructions below to familiarise yourself with the parts and steps before assembly.

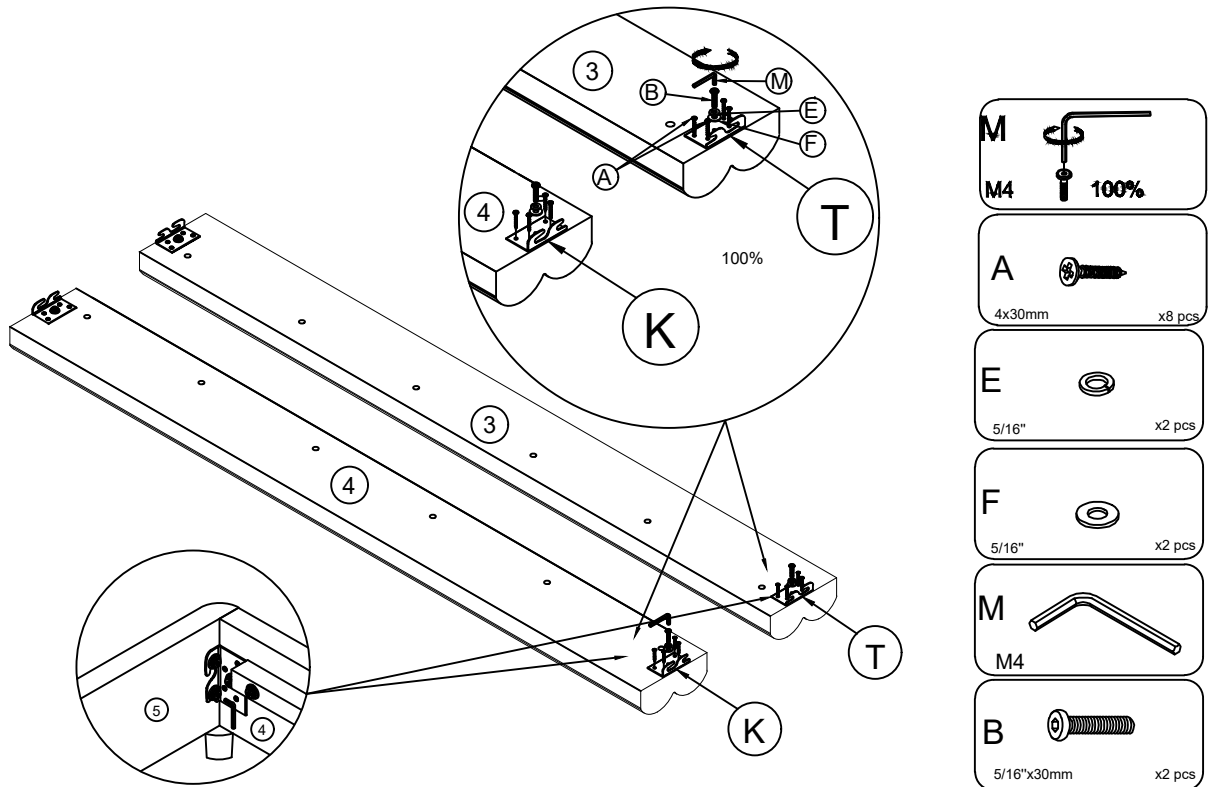
Note: It is recommended that you have an adult partner to assist during the entire assembly process.

Step 1



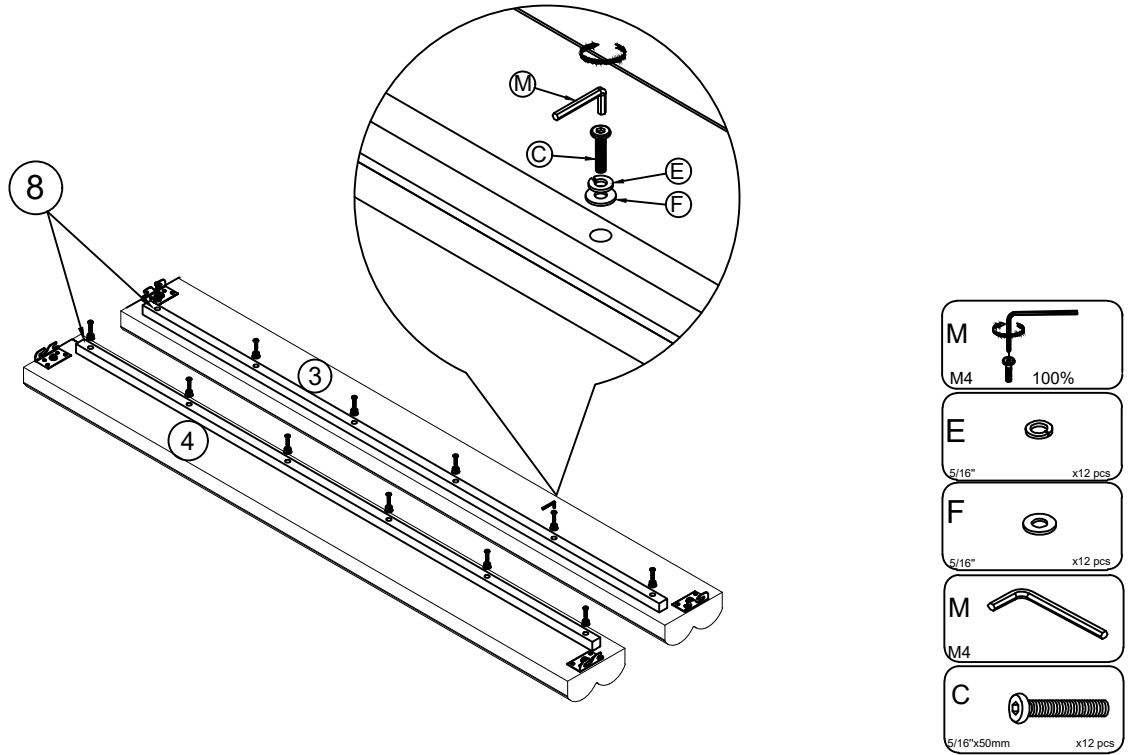
Attach the Metal pad (K) to the Side Rail (R) (3), attach the Metal pad (T) to the Side Rail (L) (4), by using the Bolts (B), Flat Washer (F), Lock Washer (E) and Screw (A) with Allen Key (M).
 Note: The hinge hook is facing down and this place is connected to the Headboard Storage (2).

Step 2



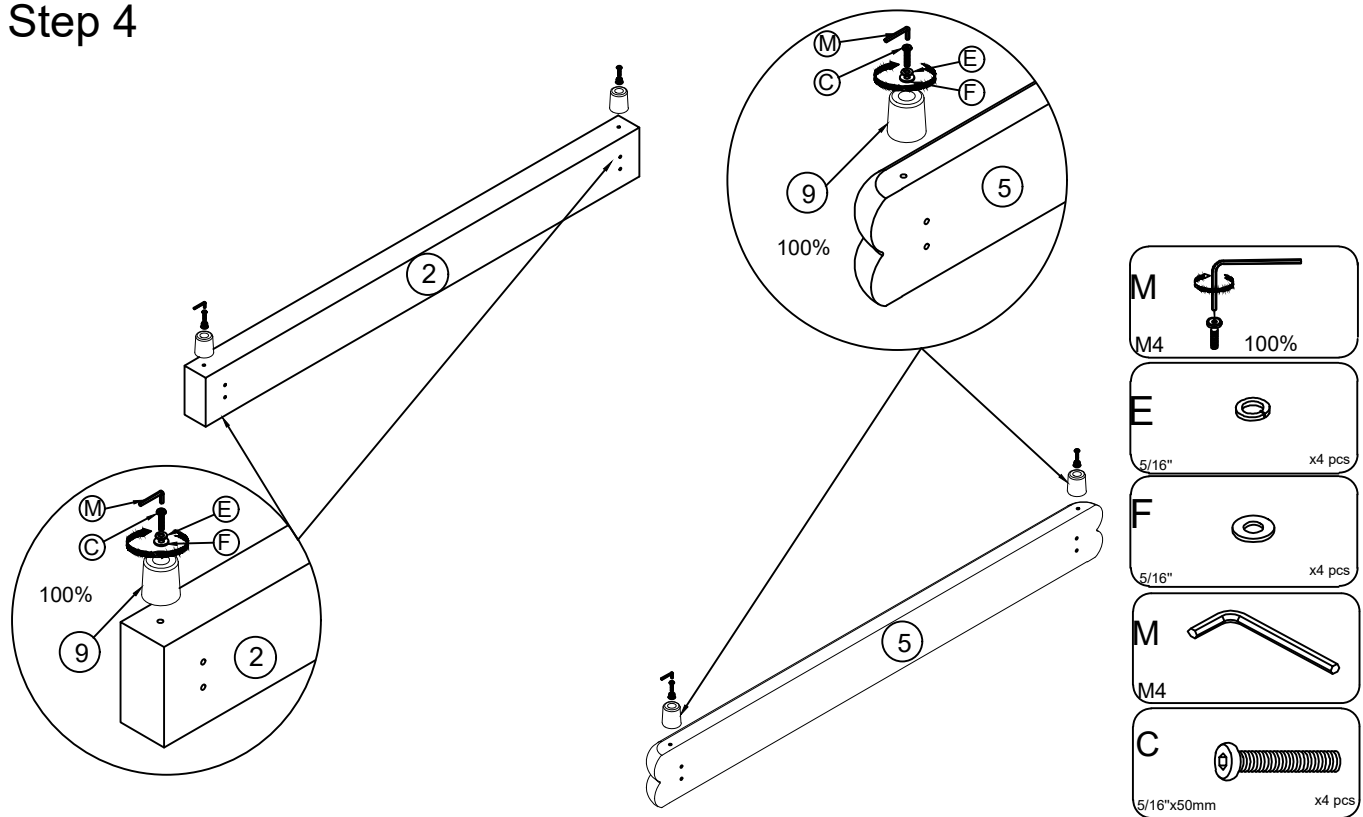
Attach Metal pad (T) to the Side Rail (3), attach Metal pad (K) to the Side Rail (4), by using the Bolts (B), Flat Washer (F), Lock Washer (E) and Screw (A) with Allen Key (M).
 Note: The direction of the Hinge and this place is connected to the Footboard (5).

Step 3



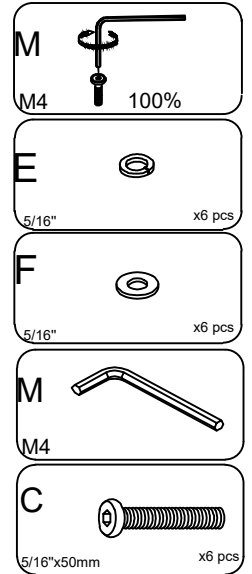
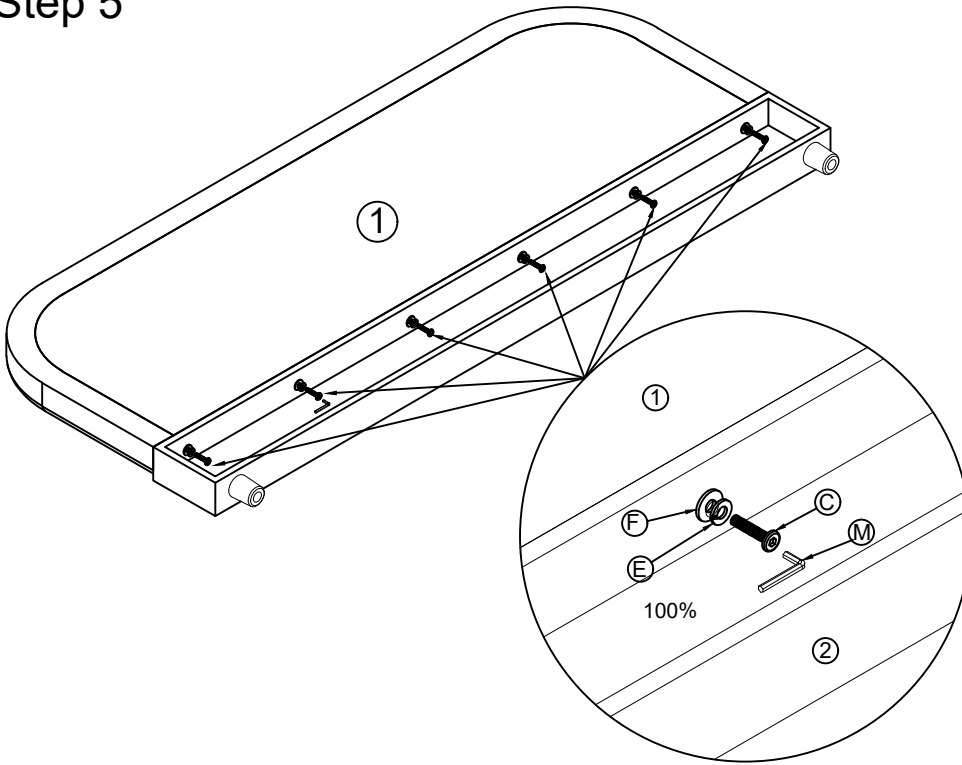
Attach the Support Rail (8) to the Side Rail (3) and the Side Rail (4). By using the Bolts (C), the Flat Washer (F) and the Lock Washer (E) with M4 Allen Key (M)

Step 4



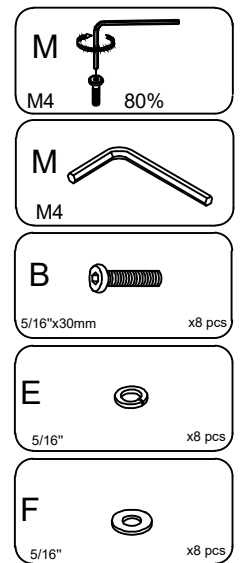
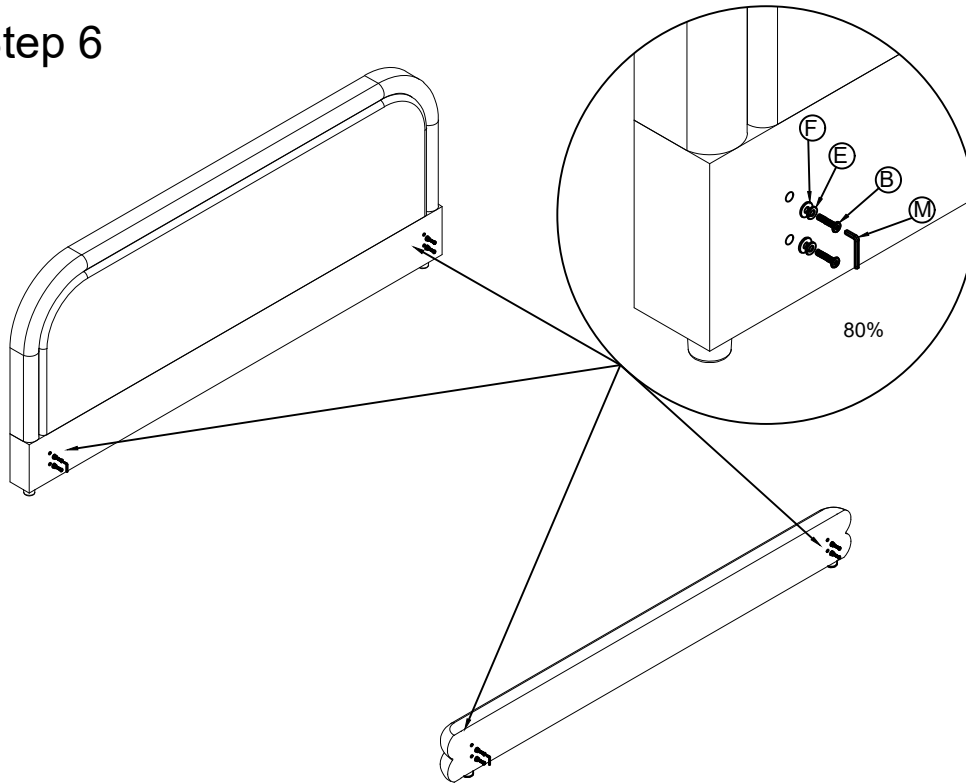
Attach 2 Bed Legs (9) to the Headboard Storage (2) and 2 Bed Legs (9) to the Footboard (5), by using Bolts (C), Lock Washer (E), Flat Washer (F) with Allen Key (M).

Step 5



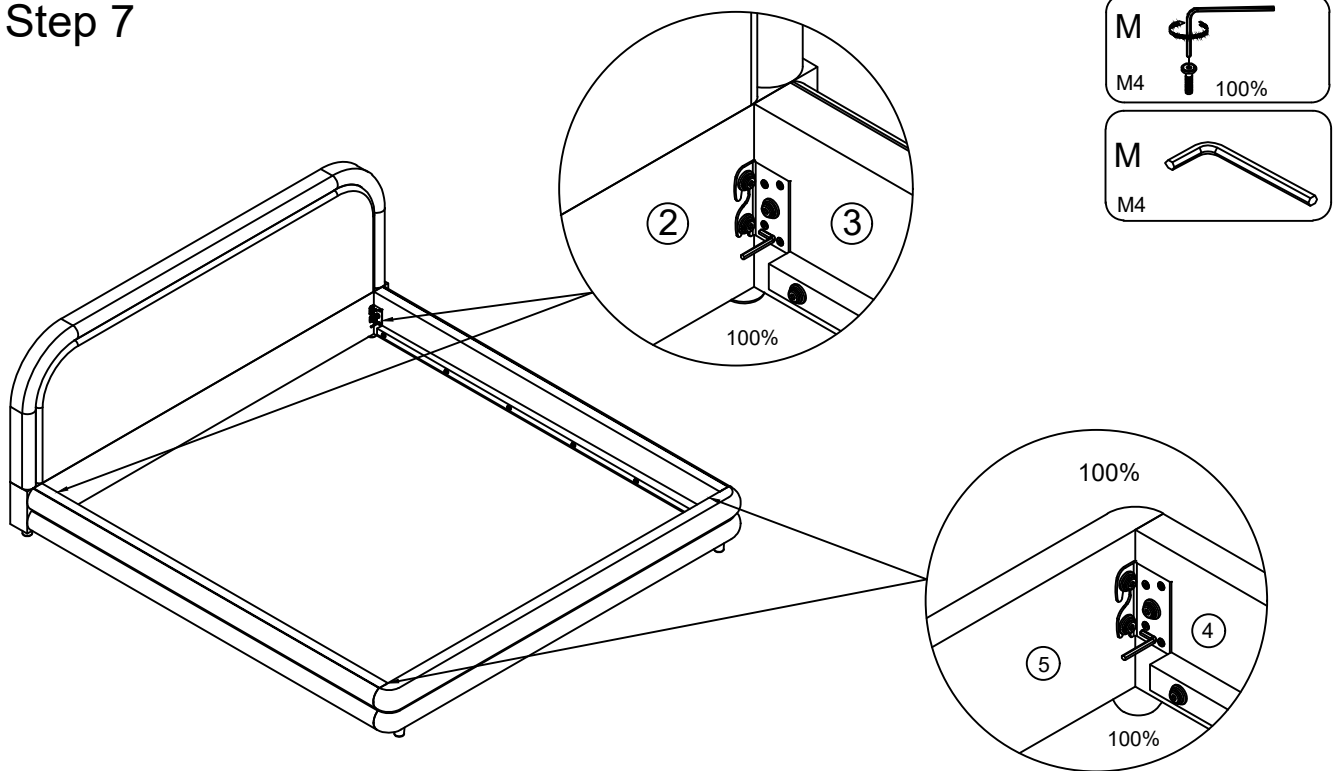
Attach the Headboard(1) to the Headboard Storage(2). By using the Bolts (C), the Flat Washer(F) and the Lock Washer(E) with M4 Allen Key(M)

Step 6



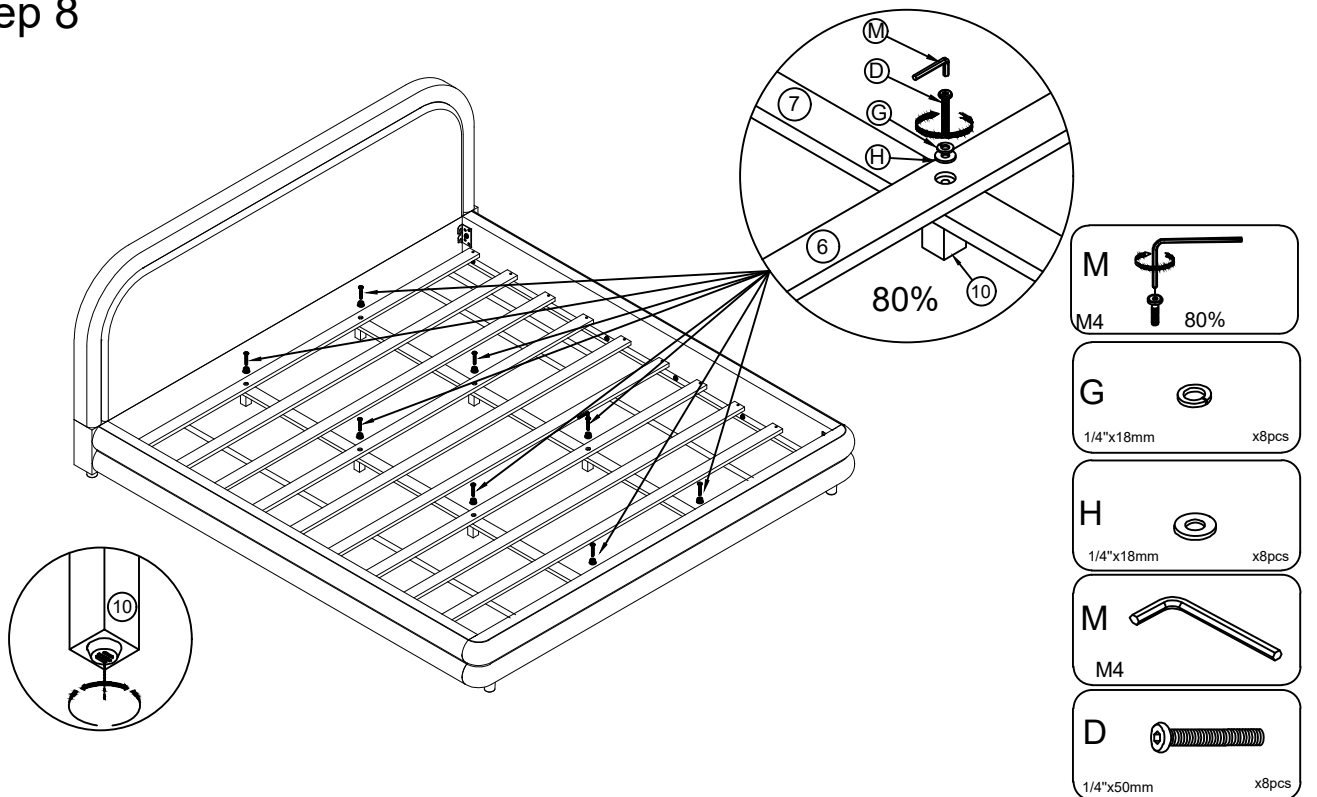
Use Bolts (B), Lock Washer (E) and Flat Washer (F) with Allen Key (M) to screw into the Headboard Storage(2) and Footboard (5) to connect Side Rails. Note: The Bolts (B) is only half assembled.

Step 7



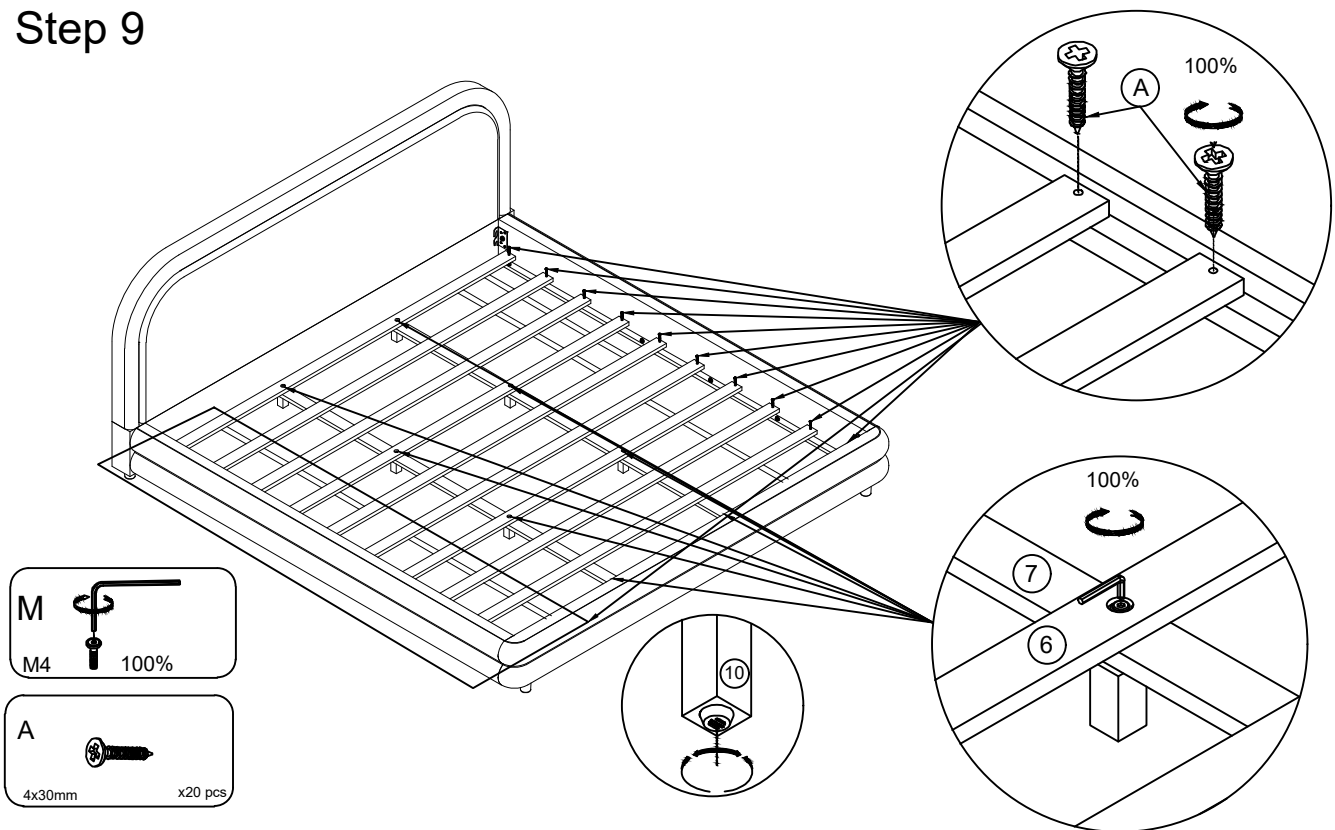
Attach the Side Rail (3) and the Side Rail (4) to the Headboard Storage(2),by using Bolts (B) with M4 Allen Wrench (M). Then attach the Footboard (5) to the Side Rail (3) and the Side Rail (4) by using Bolts (B) with M4 Allen Wrench (M). Note: the direction of the Metal pad is facing down.

Step 8



Align the assembly position on the Middle Support Bar (7) to the Center Support Leg (10) and the Slats with 4pre-holes (6). Then attach the Slats with 4pre-holes (6) and the Middle Support Bar (7) to the Center Support Leg (10).By using the Bolts (D),Lock Washer (G) with Flat Washer (H) with M4 Allen Wrench (M).

Step 9



Attach the Slats with 4pre-holes and the Slat with 2pre-holes to the bed Sides Rail (1) and (2). Use screw A Finally, use the M4 Allen Wrench (M) to tighten the Bolts (D) 100%.Adjustable leveling foot of Center Support Legs.

Finish

Place the Bed on a LEVEL SURFACE.

Inspect it and make sure all parts are adequately connected.

Don't push too hard,shake on the bed.

This would help to align all the parts at the joint areas.

CAUTION 1: When tightening these crews, tighten sequentially.

DO NOT tighten any screws fully and the towards the next one.

This would cause the frame to warp.

If there is still wobbles, loosen the screws and execute this same process.**DO NOT** tighten any screw fully and then towards the next one.

WARNING!! IF BED IS NOT STABLE, IT COULD LEAD TO DAMAGING THE PRODUCT.

Ensure all screws are fully locked into position.

The bed is ready to be used.

Caution 2: This bed is ready to be used.