












Assembly Instructions

N775P329070

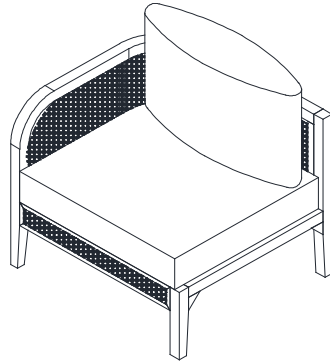
Caution: You must read this before you proceed

Care & Maintenance

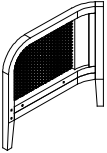
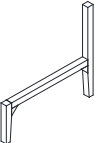
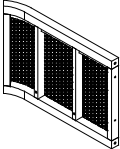
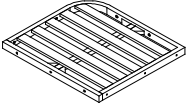
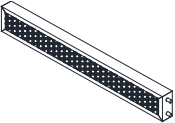
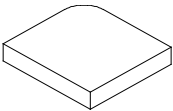
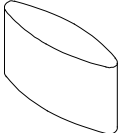
- ⊘  • Not for commercial use. For residential use only.
- ⊘  • Prolonged exposure to rain may cause rusting which can stain floors.
- ⊘  • Do not put hot items directly on furniture surface.
- ⊘  • Do not clean furniture with harsh cleansers or polish.
- ✓  • To obtain the longest lifespan of your outdoor products, minimizing exposure to direct sunlight is recommended.
- ⊘  • Children should not climb or jump on the furniture.
- ⊘  • Do not write on furniture without a padded barrier to protect the surface.
- ✓  • To obtain the longest lifespan of your outdoor products, avoid extended and lengthy exposure to rain, snow, and direct sunshine. Whenever possible cover the product and /or place under patio or awnings.
- ⊘  • Stains may be removed with mild soap solution and damp cloth.
- ✓  • Keep away from sources of ignition.
- ✓  • Dust and pick-up spills using a clean, non-colored, lint-free cloth.

Please look in boxes for hardware packs and legs.
Sets often ship in multiple boxes and may arrive a day or two apart.

LEFT ARM CHAIR



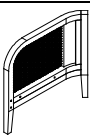
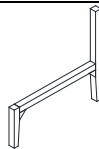
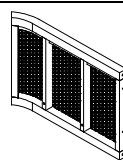
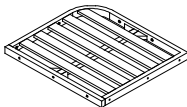
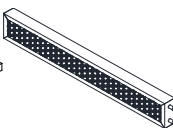
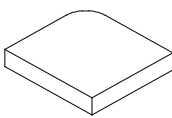
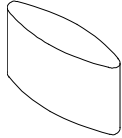
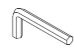



Parts List N775P329070


Label	Picture	Description	QTY
A		Left Frame	1
B		Right Frame	1
C		Back	1
D		Seat	1
E		Front Support	1
F		Seat Cushion	1
G		Back Cushion	1

Hardware N775P329070

Label	Picture	Description	QTY
①		Allen Wrench	2
②		Bolt (1/4*40MM)	10+1
③		Bolt (1/4*50MM)	2+1
④		Wood dowel (10*30MM)	1+1


Assembly Preparation


<p>Before Beginning Assembly:</p>	     
	<p>A B C D E F</p>
	    
	<p>G ①*2 ②*11 ③*3 ④*2</p>

- 

• Read instructions, cover to cover-
- 

• Have 2 adults on hand for assembly-
- 

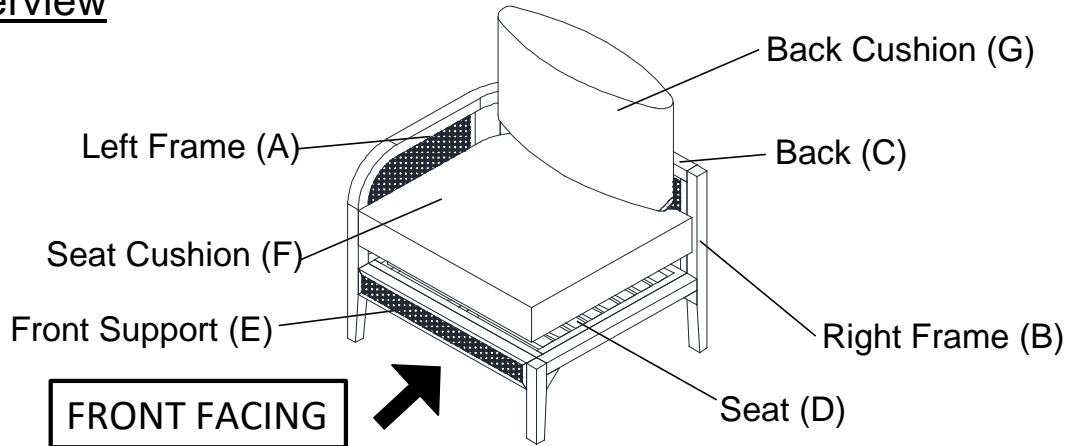
• Do not assemble on flooring or carpet-
- 

• Assemble on a clean non-marring surface (packing foam)-
- 

• Save all packaging until finished-

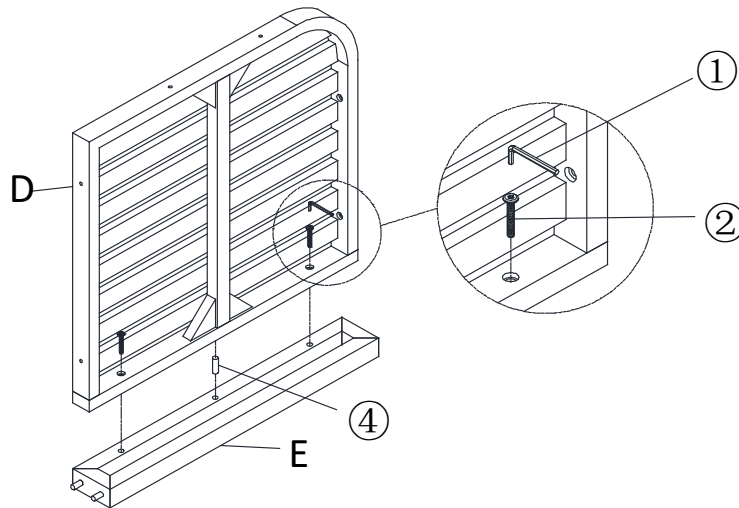
Assembly Steps

Overview



This Left Arm Chair has multiple parts and may require up to 30 minutes to assemble. To give you an overview of the Left Arm Chair parts, the above picture is to help you put the various parts into perspective. Please read through the instructions below to familiarise yourself with the parts and steps before assembly.

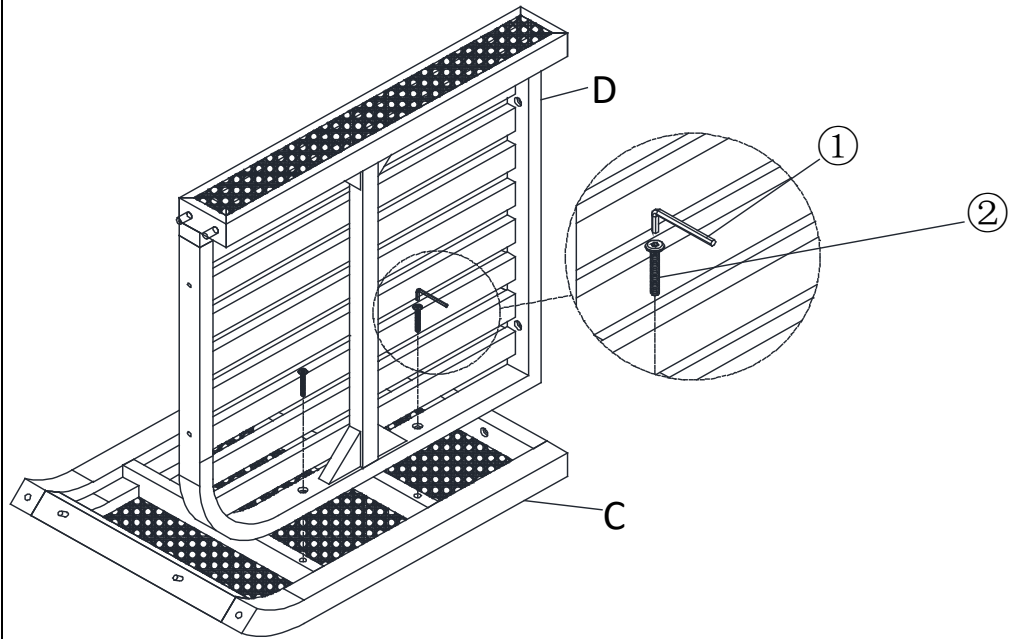
Step 1



Open the carton and place all parts on a clean, non-marring surface. Attach the Front support (E) to the Seat (D), using Bolts (2), Wood dowel (4), with Allen Wrench (1) as shown above.

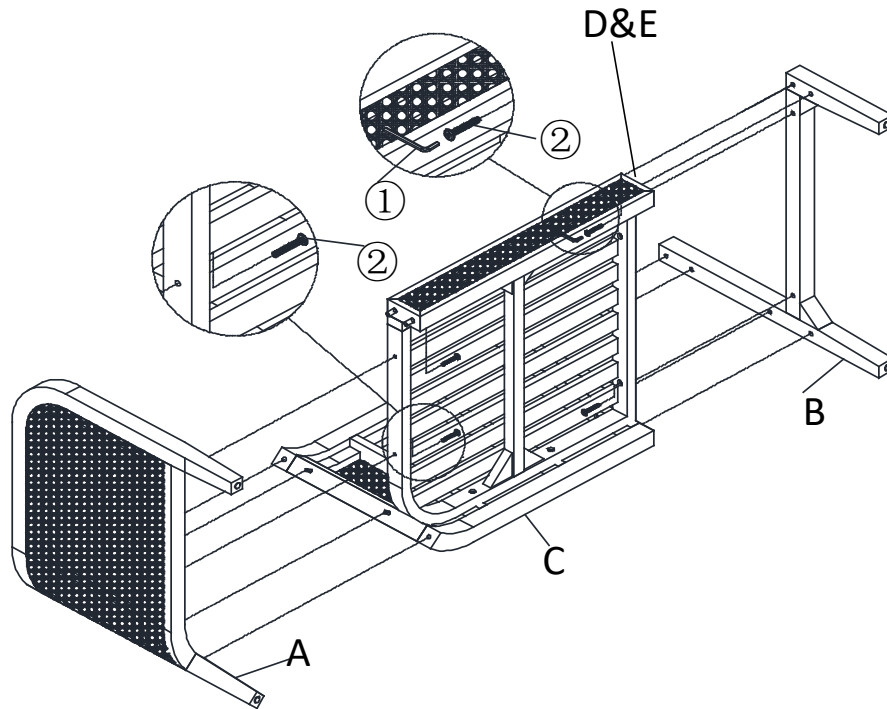
Do not fully tighten the Bolts.

Step 2



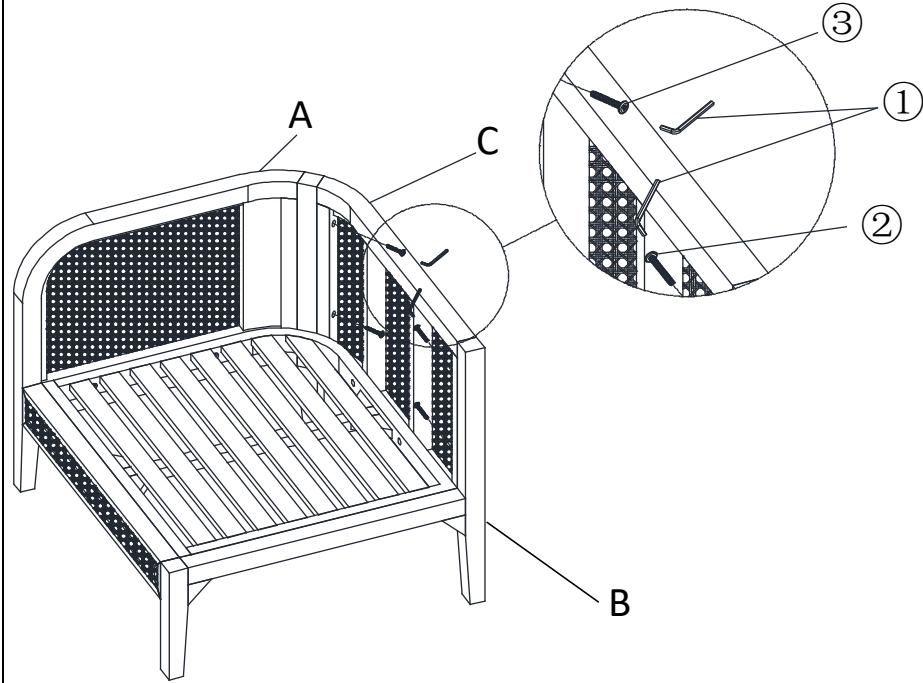
Attach the Back (C) to the Seat (D), using Bolts (②), with Allen Wrench (①) as shown above.
Do not fully tighten the Bolts.

Step 3



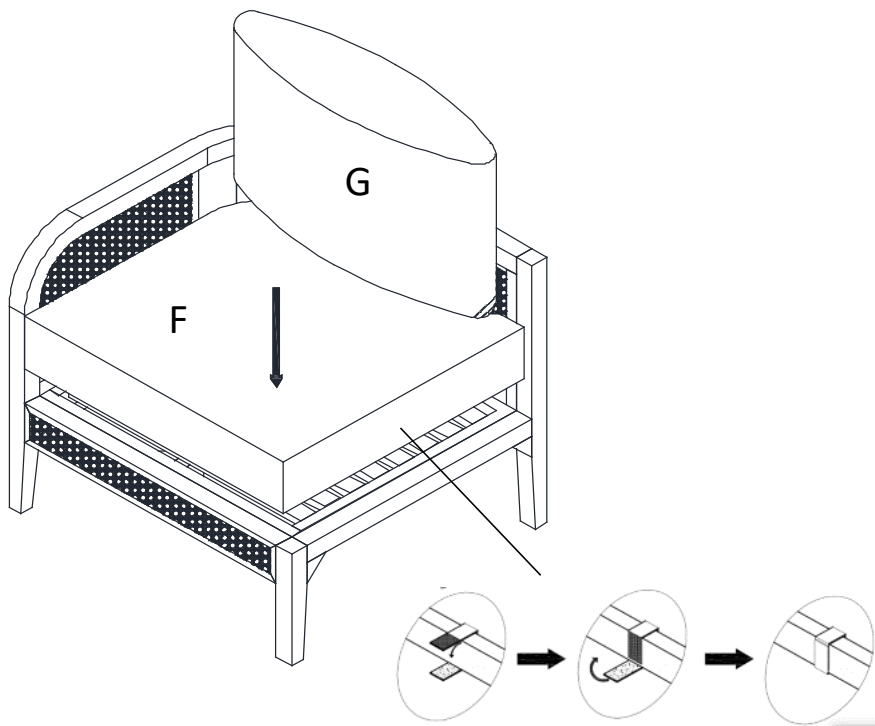
Attach the Left frame(A) and Right Frame (B) to the Seat & Front Support (D&E), Back (C), using Bolts (②), with Allen Wrench (①) as shown above.
Do not fully tighten the Bolts.

Step 4



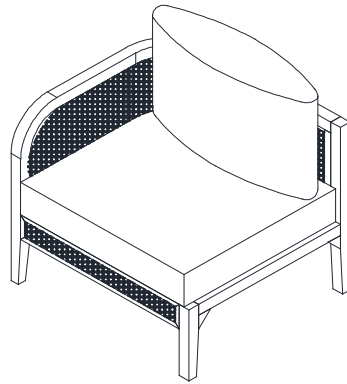
Connect Left frame(A) and Right frame (B) to the Back (C), using Bolts(②), Bolts (③),with Allen Wrench (①) as shown above.
Do not fully tighten the Bolts.

Step 5



Attach the Seat cushion (F),Back Cushion (G) to the chair as shown above.

Step 6



Place the Left Arm Chair on a **LEVEL SURFACE**.

Inspect it and make sure all parts are adequately connected.

Gently and carefully sit onto the Left Arm Chair.

This will help to align all parts at all joints.

Then get off the Left Arm Chair, and in a sequential manner, proceed to tighten all Bolts.

When tightening the Bolts, tighten sequentially.

DO NOT tighten any Bolt fully and then move on to the next one.

This may cause the frame to warp.

If there are still wobbles, loosen the Bolts and execute this same process.

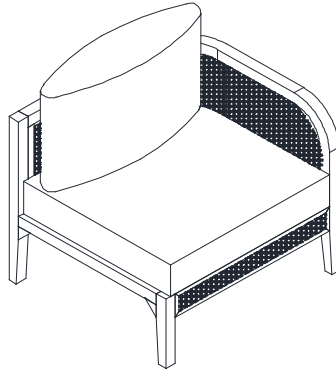
Note: This step is done best with the assistance of a second adult.

Ensure all screws are fully locked into position.

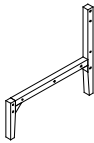
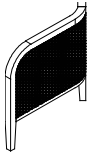
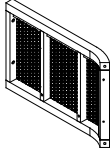
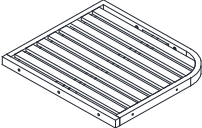
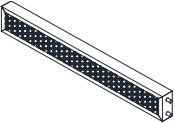
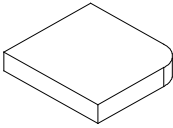
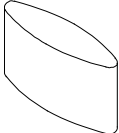
Your Left Arm Chair is ready for use.

Caution: This Left Arm Chair can only be used on a flat, level surface.

RIGHT ARM CHAIR



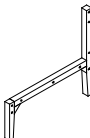
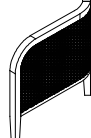
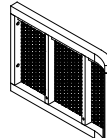
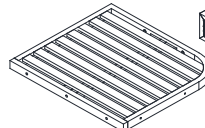
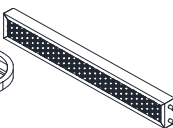
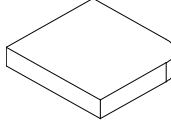
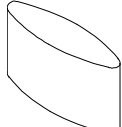




Parts List N775P329070



Label	Picture	Description	QTY
H		Left Frame	1
J		Right Frame	1
K		Back	1
L		Seat	1
E		Front Support	1
M		Seat Cushion	1
G		Back Cushion	1

Hardware N775P329070

Label	Picture	Description	QTY
①		Allen Wrench	2
②		Bolt (1/4*40MM)	10+1
③		Bolt (1/4*50MM)	2+1
④		Wood dowel (10*30MM)	1+1

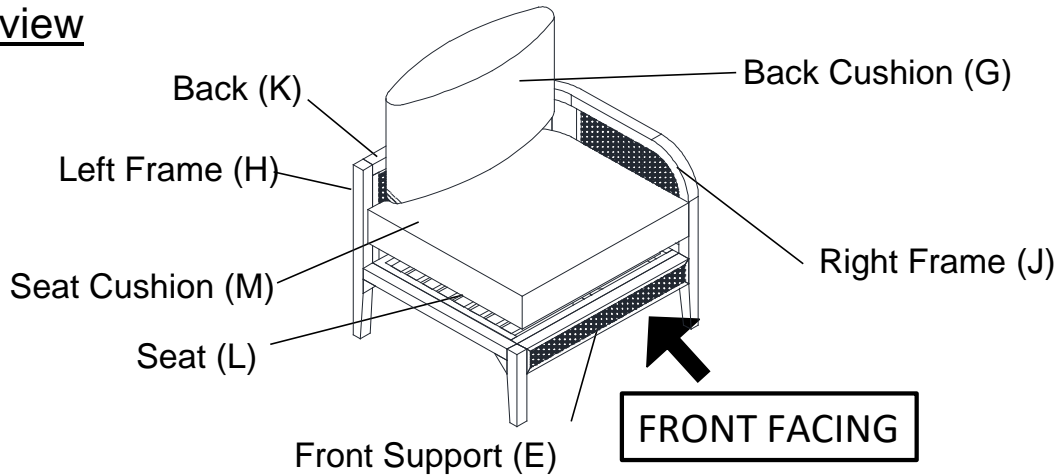
Assembly Preparation

<p>Before Beginning Assembly:</p>	<div style="display: flex; justify-content: space-around; align-items: flex-start;"> <div style="text-align: center;">  H </div> <div style="text-align: center;">  J </div> <div style="text-align: center;">  K </div> <div style="text-align: center;">  L </div> <div style="text-align: center;">  E </div> <div style="text-align: center;">  M </div> </div> <div style="display: flex; justify-content: space-around; align-items: flex-start;"> <div style="text-align: center;">  G </div> <div style="text-align: center;">  ①*2 </div> <div style="text-align: center;">  ②*11 </div> <div style="text-align: center;">  ③*3 </div> <div style="text-align: center;">  ④*2 </div> </div>
--	--

-  • Read instructions, cover to cover-
-  • Have 2 adults on hand for assembly-
-  • Do not assemble on flooring or carpet-
-  • Assemble on a clean non-marring surface (packing foam)-
-  • Save all packaging until finished-

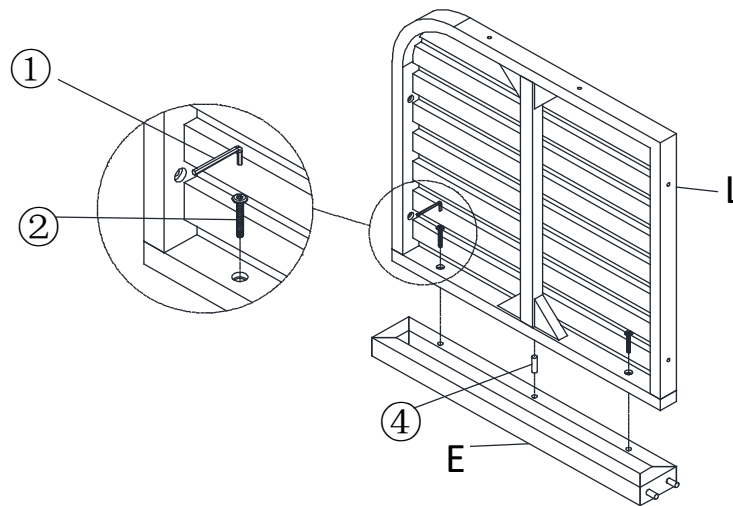
Assembly Steps

Overview



This Right Arm Chair has multiple parts and may require up to 30 minutes to assemble. To give you an overview of the Right Arm Chair parts, the above picture is to help you put the various parts into perspective. Please read through the instructions below to familiarise yourself with the parts and steps before assembly.

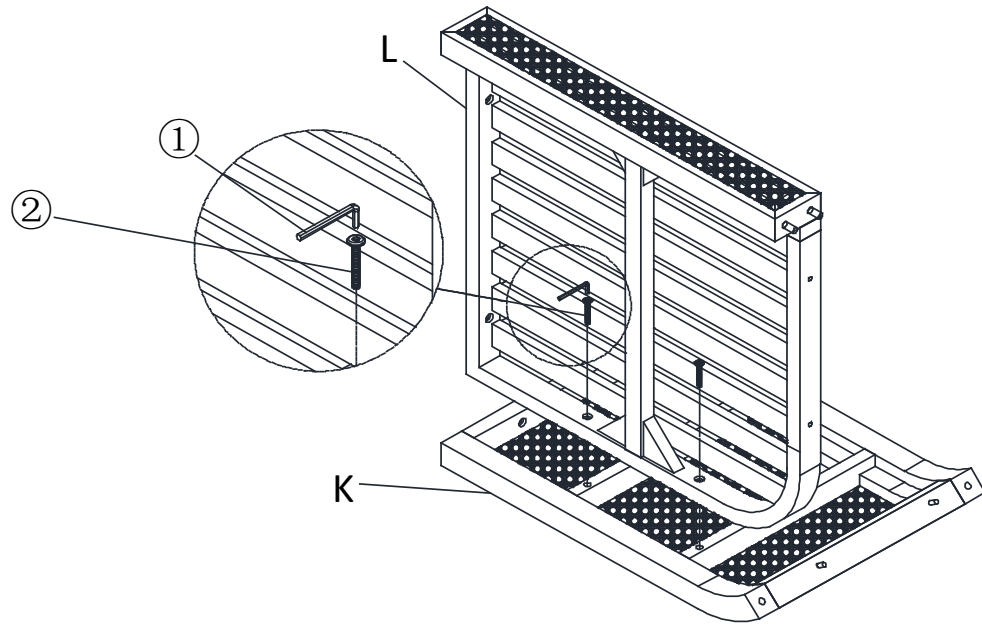
Step 1



Open the carton and place all parts on a clean, non-marring surface. Attach the Front support (E) to the Seat (L), using Bolts (②), Wood dowel (④), with Allen Wrench (①) as shown above.

Do not fully tighten the Bolts.

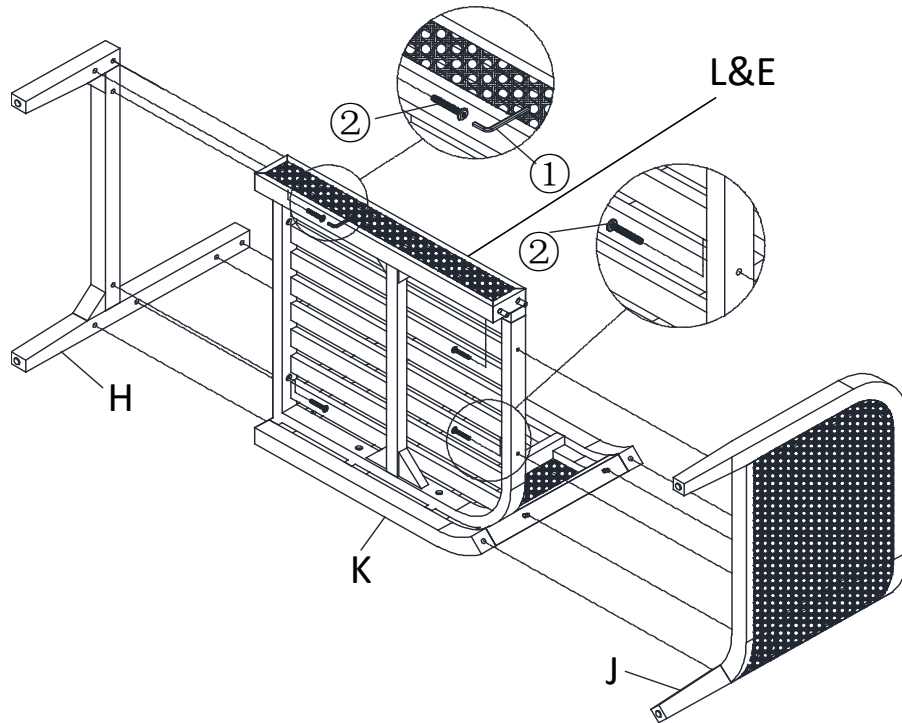
Step 2



Attach the Back (K) to the Seat (L), using Bolts (②), with Allen Wrench (①) as shown above.

Do not fully tighten the Bolts.

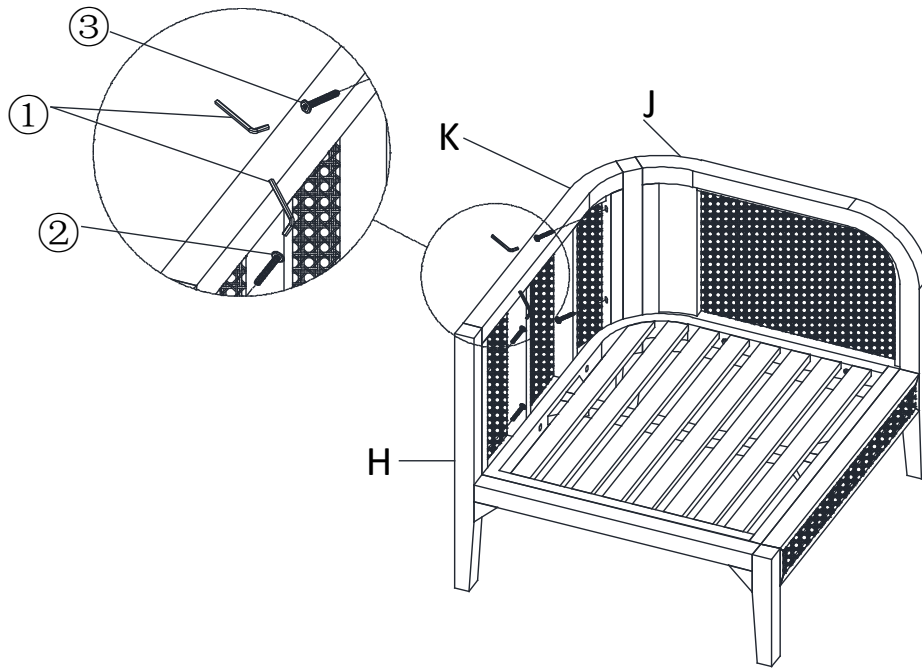
Step 3



Attach the Left frame(H) and Right Frame (J) to the Seat & Front Support (L&E), Back (K), using Bolts (②), with Allen Wrench (①) as shown above.

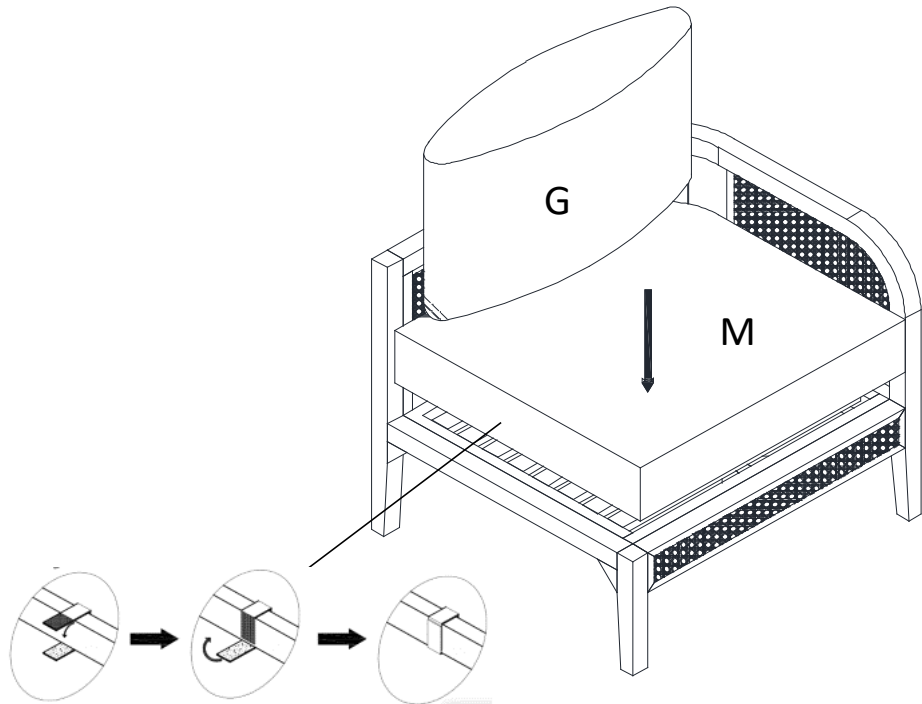
Do not fully tighten the Bolts.

Step 4



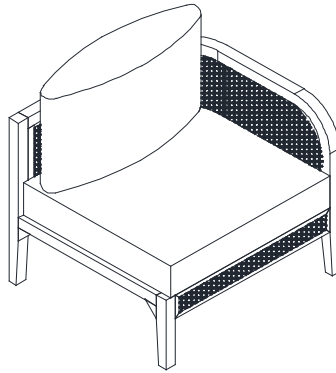
Connect Left frame (H) and Right frame(J) to the Back (K), using Bolts (2) Bolts (3),with Allen Wrench (1) as shown above.
Do not fully tighten the Bolts.

Step 5



Attach the Seat cushion (M),Back Cushion (G) to the chair as shown above.

Step 6



Place the Right Arm Chair on a **LEVEL SURFACE**.
Inspect it and make sure all parts are adequately connected.

Gently and carefully sit onto the Right Arm Chair.

This will help to align all parts at all joints.

Then get off the Right Arm Chair, and in a sequential manner, proceed to tighten all Bolts.

When tightening the Bolts, tighten sequentially.

DO NOT tighten any Bolt fully and then move on to the next one.

This may cause the frame to warp.

If there are still wobbles, loosen the Bolts and execute this same process.

Note: This step is done best with the assistance of a second adult.

Ensure all screws are fully locked into position.

Your Right Arm Chair is ready for use.

Caution: This Right Arm Chair can only be used on a flat, level surface.

Questions & Answers about Proposition 65

- What is Proposition 65?

Proposition 65 requires businesses to provide warnings to Californians about significant exposures to chemicals that cause cancer, birth defects or other reproductive harm. These chemicals can be in the products that Californians purchase, in their homes or workplaces, or that are released into the environment. By requiring that this information be provided, Proposition 65 enables Californians to make informed decisions about their exposures to these chemicals.

Proposition 65 also prohibits California businesses from knowingly discharging significant amounts of listed chemicals into sources of drinking water.

Proposition 65 requires California to publish a list of chemicals known to cause cancer, birth defects or other reproductive harm. This list, which must be updated at least once a year, has grown to include approximately 900 chemicals since it was first published in 1987.

- What types of chemicals are on the Proposition 65 list?

The list contains a wide range of naturally occurring and synthetic chemicals that include additives or ingredients in pesticides, common household products, food, drugs, dyes, or solvents. Listed chemicals may also be used in manufacturing and construction, or they may be byproducts of chemical processes, such as motor vehicle exhaust.

- What does a warning mean?

If a warning is placed on a product label or posted or distributed at a workplace, a business, or in rental housing, the business issuing the warning is aware or believes that it is exposing individuals to one or more listed chemicals.

By law, a warning must be given for listed chemicals unless the exposure is low enough to pose no significant risk of cancer or is significantly below levels observed to cause birth defects or other reproductive harm.

- Where can I get more information on Proposition 65?












If you have specific questions on the administration or implementation of Proposition 65, you can contact OEHHA's Proposition 65 program at P65.Questions@oehha.ca.gov, or by phone at (916) 445-6900.

Assembly Instructions

N775P329071

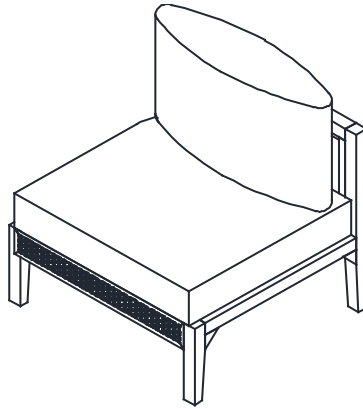
Caution: You must read this before you proceed

Care & Maintenance

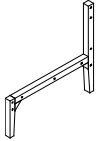
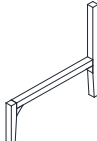
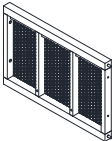
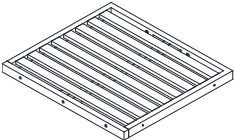
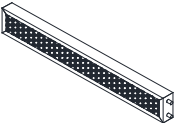
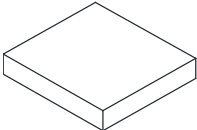
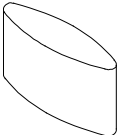
- ⊘  • Not for commercial use. For residential use only.
- ⊘  • Prolonged exposure to rain may cause rusting which can stain floors.
- ⊘  • Do not put hot items directly on furniture surface.
- ⊘  • Do not clean furniture with harsh cleansers or polish.
- ✓  • To obtain the longest lifespan of your outdoor products, minimizing exposure to direct sunlight is recommended.
- ⊘  • Children should not climb or jump on the furniture.
- ⊘  • Do not write on furniture without a padded barrier to protect the surface.
- ✓  • To obtain the longest lifespan of your outdoor products, avoid extended and lengthy exposure to rain, snow, and direct sunshine. Whenever possible cover the product and /or place under patio or awnings.
- ⊘  • Stains may be removed with mild soap solution and damp cloth.
- ✓  • Keep away from sources of ignition.
- ✓  • Dust and pick-up spills using a clean, non-colored, lint-free cloth.

Please look in boxes for hardware packs and legs.
Sets often ship in multiple boxes and may arrive a day or two apart.

ARMLESS CHAIR



Parts List : N775P329071

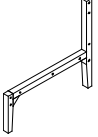
Label	Picture	Description	QTY
A		Left Frame	1
B		Right Frame	1
C		Back	1
D		Seat	1
E		Front Support	1
F		Seat Cushion	1
G		Back Cushion	1

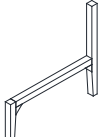
Hardware : N775P329071

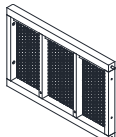
Label	Picture	Description	QTY
①		Allen Wrench	2
②		Bolt (1/4*40MM)	12+1
③		Wood dowel (10*30MM)	1+1

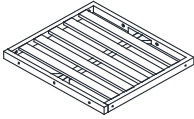
Assembly Preparation

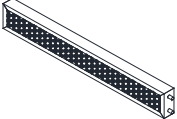
Before Beginning Assembly:

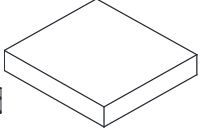

A

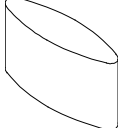

B

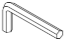

C



D



E







F


G


①*2

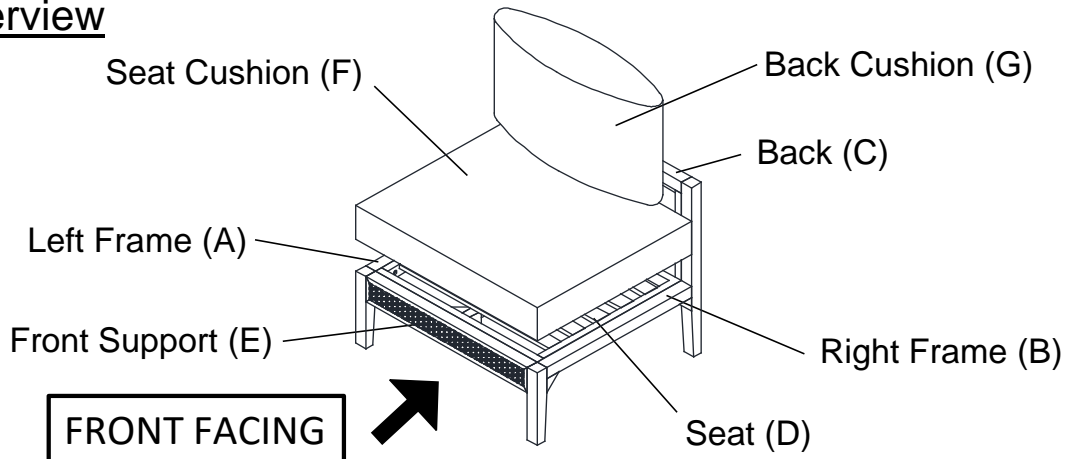

②*13


③*2

-  • **Read instructions, cover to cover-**
-  • **Have 2 adults on hand for assembly-**
-  • **Do not assemble on flooring or carpet-**
-  • **Assemble on a clean non-marring surface (packing foam)-**
-  • **Save all packaging until finished-**

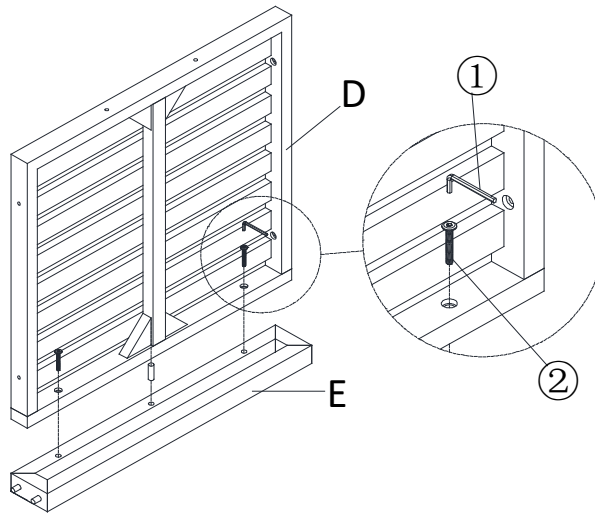
Assembly Steps

Overview



This Armless Chair has multiple parts and may require up to 30 minutes to assemble. To give you an overview of the Armless Chair parts, the above picture is to help you put the various parts into perspective. Please read through the instructions below to familiarise yourself with the parts and steps before assembly.

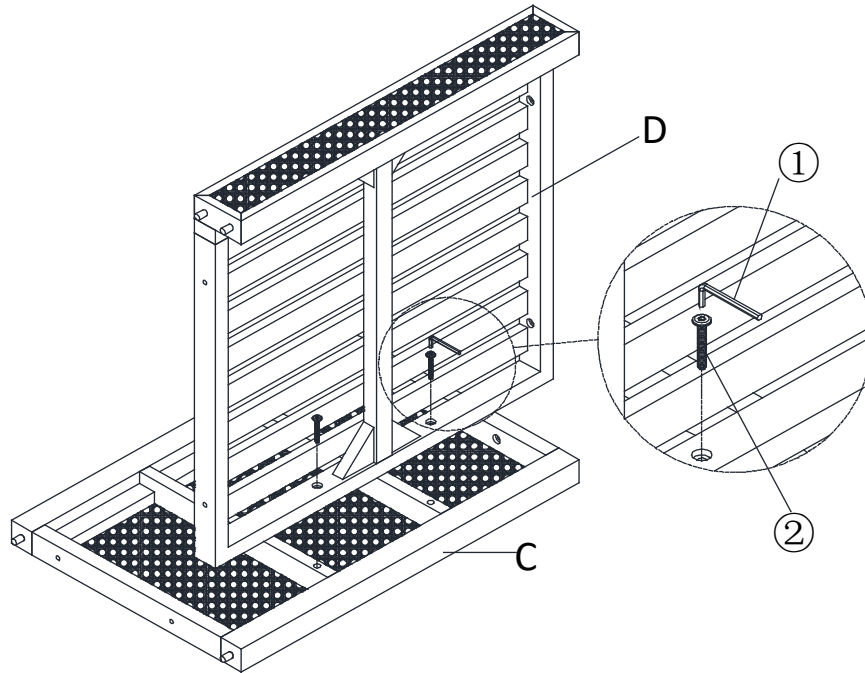
Step 1



Open the carton and place all parts on a clean, non-marring surface. Attach the Front support (E) to the Seat (D), using Bolts (2), Wood dowel (3), with Allen Wrench (1) as shown above.

Do not fully tighten the Bolts.

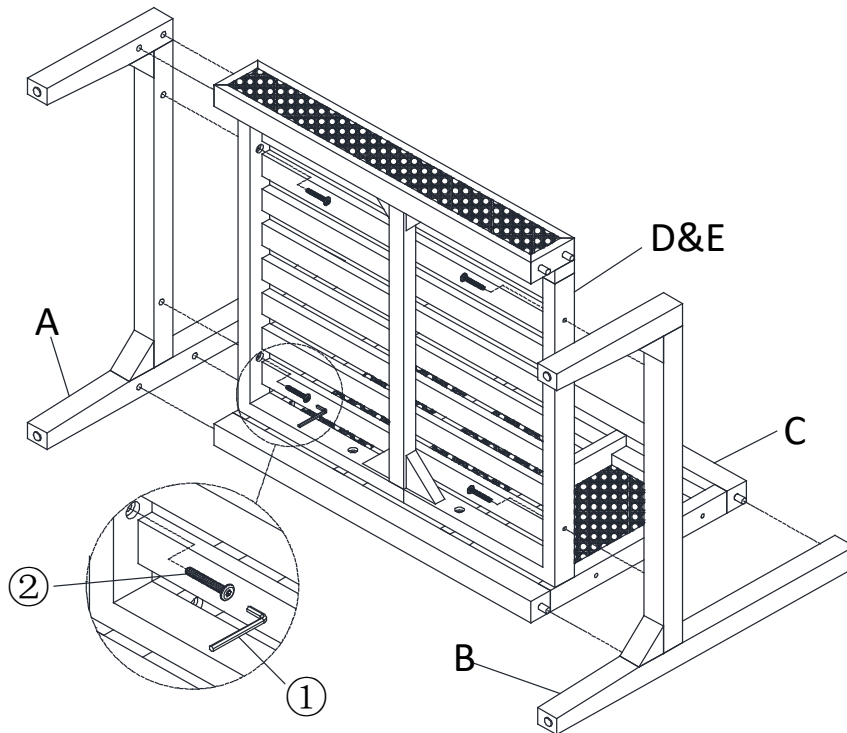
Step 2



Attach the Back (C) to the Seat (D), using Bolts (2), with Allen Wrench (1) as shown above.

Do not fully tighten the Bolts.

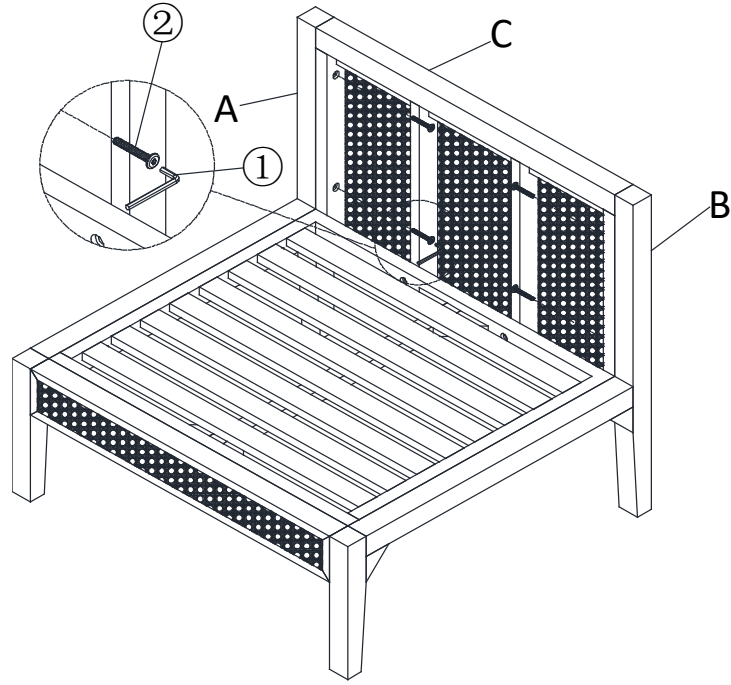
Step 3



Attach the Left frame(A) and Right Frame (B) to the Seat & Front Support (D&E), Back (C), using Bolts (2), with Allen Wrench (1) as shown above.

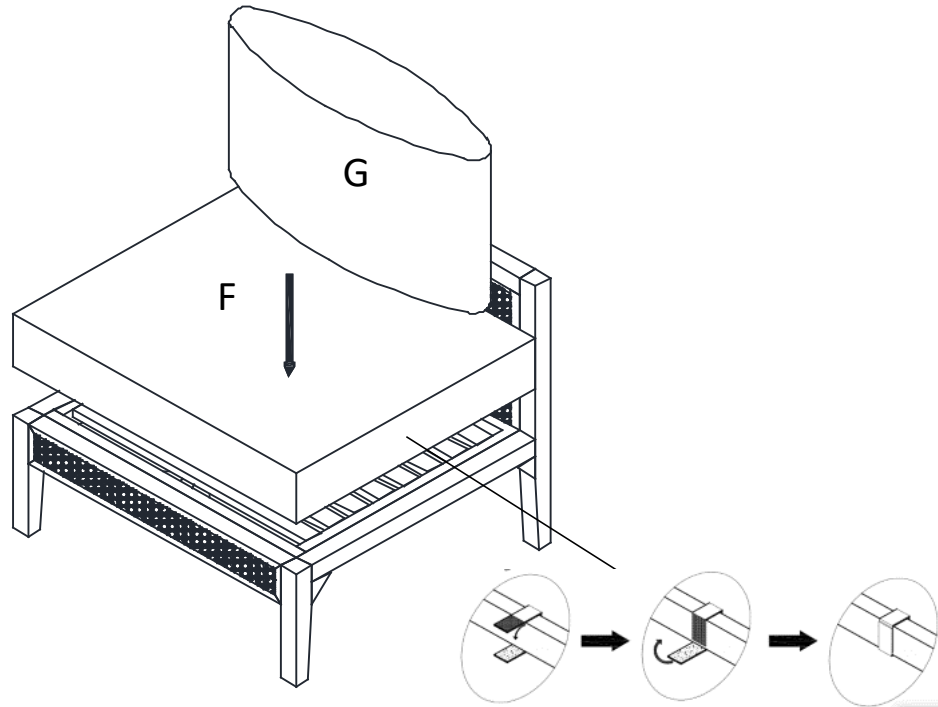
Do not fully tighten the Bolts.

Step 4



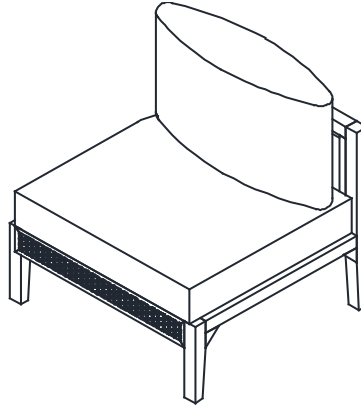
Connect Left frame(A) and Right Frame (B) to the Back (C), using Bolts (②),with Allen Wrench (①) as shown above.
Do not fully tighten the Bolts.

Step 5



Attach the Seat cushion (F),Back Cushion (G) to the chair as shown above.

Step 6



Place the Armless Chair on a LEVEL SURFACE.

Inspect it and make sure all parts are adequately connected.

Gently and carefully sit onto the Chair.

This will help to align all parts at all joints.

Then get off the Armless Chair, and in a sequential manner, proceed to tighten all Bolts.

When tightening the Bolts, tighten sequentially.

DO NOT tighten any Bolt fully and then move on to the next one.

This may cause the frame to warp.

If there are still wobbles, loosen the Bolts and execute this same process.

Note: This step is done best with the assistance of a second adult.

Ensure all screws are fully locked into position.

Your Armless Chair is ready for use.

Caution: This Armless Chair can only be used on a flat, level surface.

Questions & Answers about Proposition 65

- What is Proposition 65?

Proposition 65 requires businesses to provide warnings to Californians about significant exposures to chemicals that cause cancer, birth defects or other reproductive harm. These chemicals can be in the products that Californians purchase, in their homes or workplaces, or that are released into the environment. By requiring that this information be provided, Proposition 65 enables Californians to make informed decisions about their exposures to these chemicals.

Proposition 65 also prohibits California businesses from knowingly discharging significant amounts of listed chemicals into sources of drinking water.

Proposition 65 requires California to publish a list of chemicals known to cause cancer, birth defects or other reproductive harm. This list, which must be updated at least once a year, has grown to include approximately 900 chemicals since it was first published in 1987.

- What types of chemicals are on the Proposition 65 list?

The list contains a wide range of naturally occurring and synthetic chemicals that include additives or ingredients in pesticides, common household products, food, drugs, dyes, or solvents. Listed chemicals may also be used in manufacturing and construction, or they may be byproducts of chemical processes, such as motor vehicle exhaust.

- What does a warning mean?

If a warning is placed on a product label or posted or distributed at a workplace, a business, or in rental housing, the business issuing the warning is aware or believes that it is exposing individuals to one or more listed chemicals.

By law, a warning must be given for listed chemicals unless the exposure is low enough to pose no significant risk of cancer or is significantly below levels observed to cause birth defects or other reproductive harm.

- Where can I get more information on Proposition 65?












If you have specific questions on the administration or implementation of Proposition 65, you can contact OEHHA's Proposition 65 program at P65.Questions@oehha.ca.gov, or by phone at (916) 445-6900.

Assembly Instructions

N775P329072

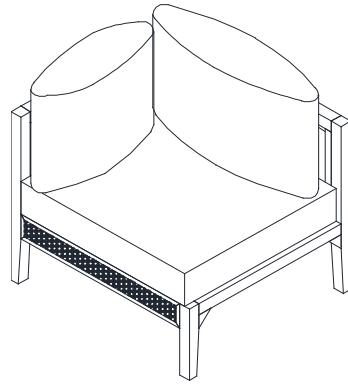
Caution: You must read this before you proceed

Care & Maintenance

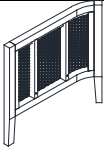
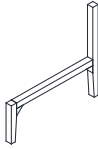
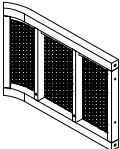
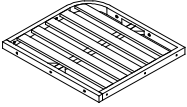
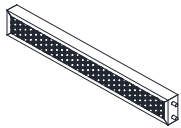
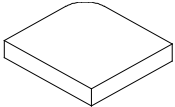
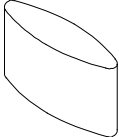
- ⊘  • Not for commercial use. For residential use only.
- ⊘  • Prolonged exposure to rain may cause rusting which can stain floors.
- ⊘  • Do not put hot items directly on furniture surface.
- ⊘  • Do not clean furniture with harsh cleansers or polish.
- ✓  • To obtain the longest lifespan of your outdoor products, minimizing exposure to direct sunlight is recommended.
- ⊘  • Children should not climb or jump on the furniture.
- ⊘  • Do not write on furniture without a padded barrier to protect the surface.
- ✓  • To obtain the longest lifespan of your outdoor products, avoid extended and lengthy exposure to rain, snow, and direct sunshine. Whenever possible cover the product and /or place under patio or awnings.
- ⊘  • Stains may be removed with mild soap solution and damp cloth.
- ✓  • Keep away from sources of ignition.
- ✓  • Dust and pick-up spills using a clean, non-colored, lint-free cloth.

Please look in boxes for hardware packs and legs.
Sets often ship in multiple boxes and may arrive a day or two apart.

CORNER CHAIR



Parts List N775P329072

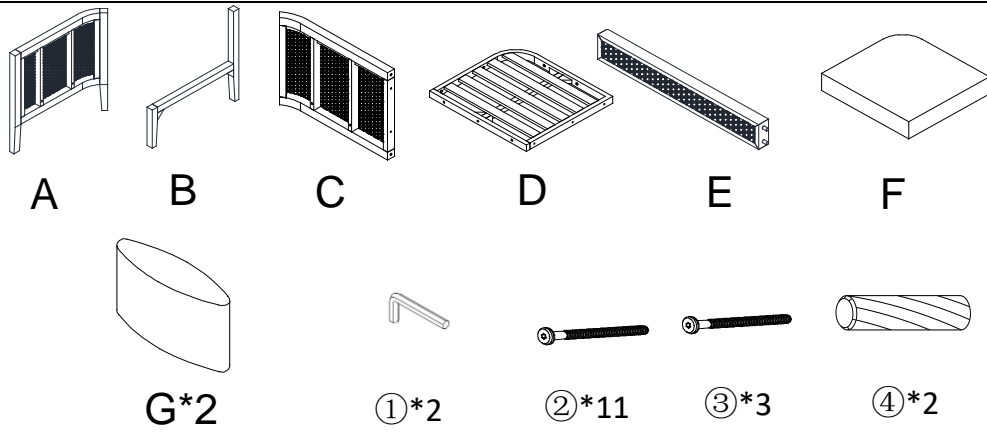
Label	Picture	Description	QTY
A		Left Frame	1
B		Right Frame	1
C		Back	1
D		Seat	1
E		Front Support	1
F		Seat Cushion	1
G		Back Cushion	2

Hardware N775P329072

Label	Picture	Description	QTY
①		Allen Wrench	2
②		Bolt (1/4*40MM)	10+1
③		Bolt (1/4*50MM)	2+1
④		Wood dowel (10*30MM)	1+1



Assembly Preparation

Before Beginning Assembly:



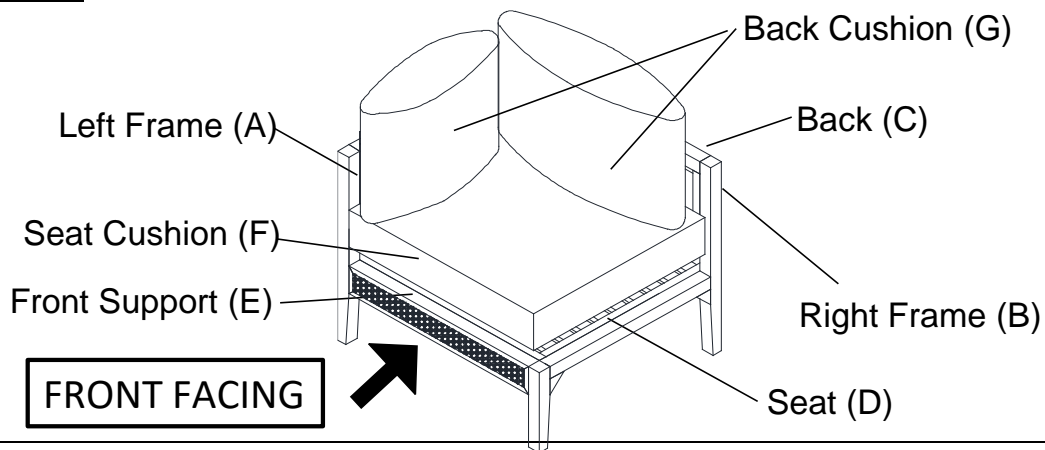
A B C D E F

G*2 ①*2 ②*11 ③*3 ④*2

-  • Read instructions, cover to cover-
-  • Have 2 adults on hand for assembly-
-  • Do not assemble on flooring or carpet-
-  • Assemble on a clean non-marring surface (packing foam)-
-  • Save all packaging until finished-

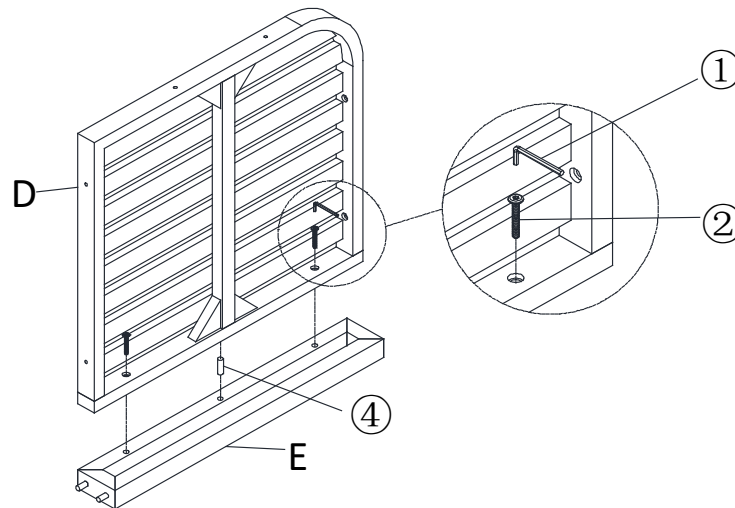
Assembly Steps

Overview



This Corner Chair has multiple parts and may require up to 30 minutes to assemble. To give you an overview of the Corner Chair parts, the above picture is to help you put the various parts into perspective. Please read through the instructions below to familiarise yourself with the parts and steps before assembly.

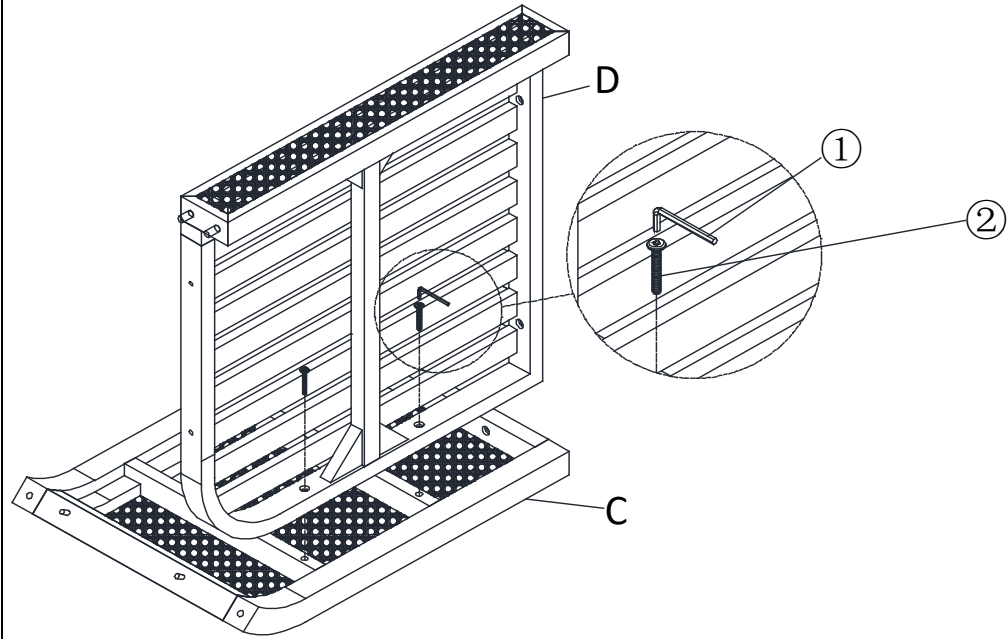
Step 1



Open the carton and place all parts on a clean, non-marring surface. Attach the Front support (E) to the Seat (D), using Bolts (2), Wood dowel (4), with Allen Wrench (1) as shown above.

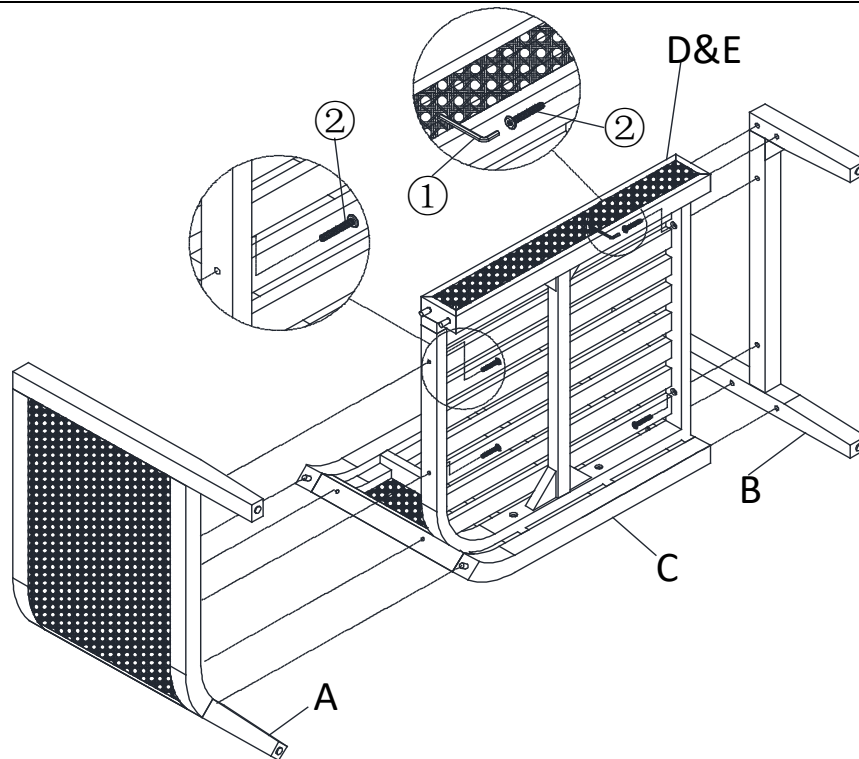
Do not fully tighten the Bolts.

Step 2



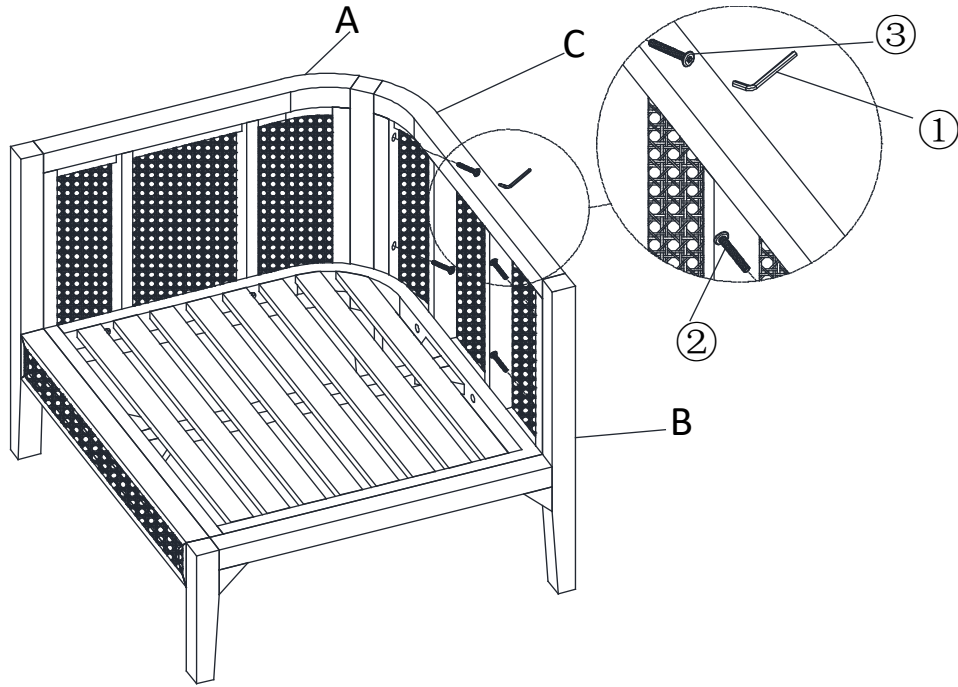
Attach the Back (C) to the Seat (D), using Bolts (2), with Allen Wrench (1) as shown above.
Do not fully tighten the Bolts.

Step 3



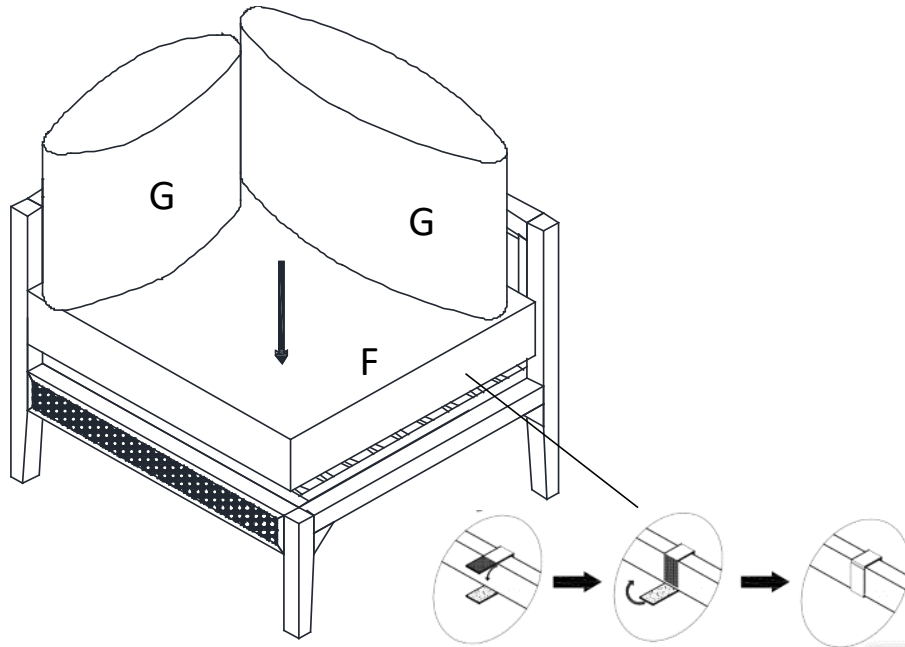
Attach the Left frame(A) and Right Frame (B) to the Seat & Front Support (D&E), Back (C), using Bolts (2), with Allen Wrench (1) as shown above.
Do not fully tighten the Bolts.

Step 4



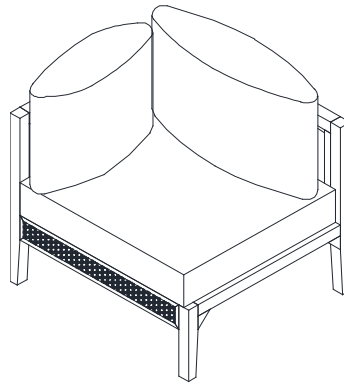
Connect Left frame(A) and Right frame (B) to the Back (C), using Bolts(②), Bolts(③),with Allen Wrench (①) as shown above.
Do not fully tighten the Bolts.

Step 5



Attach the Seat cushion (F),Back Cushion (G) to the chair as shown above

Step 6



Place the Corner Chair on a **LEVEL SURFACE**.

Inspect it and make sure all parts are adequately connected.

Gently and carefully sit onto the Corner Chair.

This will help to align all parts at all joints.

Then get off the Corner Chair, and in a sequential manner, proceed to tighten all Bolts.

When tightening the Bolts, tighten sequentially.

DO NOT tighten any Bolt fully and then move on to the next one.

This may cause the frame to warp.

If there are still wobbles, loosen the Bolts and execute this same process.

Note: This step is done best with the assistance of a second adult.

Ensure all screws are fully locked into position.

Your Corner Chair is ready for use.

Caution: This Chair can only be used on a flat, level surface.

Questions & Answers about Proposition 65

- What is Proposition 65?

Proposition 65 requires businesses to provide warnings to Californians about significant exposures to chemicals that cause cancer, birth defects or other reproductive harm. These chemicals can be in the products that Californians purchase, in their homes or workplaces, or that are released into the environment. By requiring that this information be provided, Proposition 65 enables Californians to make informed decisions about their exposures to these chemicals.

Proposition 65 also prohibits California businesses from knowingly discharging significant amounts of listed chemicals into sources of drinking water.

Proposition 65 requires California to publish a list of chemicals known to cause cancer, birth defects or other reproductive harm. This list, which must be updated at least once a year, has grown to include approximately 900 chemicals since it was first published in 1987.

- What types of chemicals are on the Proposition 65 list?

The list contains a wide range of naturally occurring and synthetic chemicals that include additives or ingredients in pesticides, common household products, food, drugs, dyes, or solvents. Listed chemicals may also be used in manufacturing and construction, or they may be byproducts of chemical processes, such as motor vehicle exhaust.

- What does a warning mean?

If a warning is placed on a product label or posted or distributed at a workplace, a business, or in rental housing, the business issuing the warning is aware or believes that it is exposing individuals to one or more listed chemicals.

By law, a warning must be given for listed chemicals unless the exposure is low enough to pose no significant risk of cancer or is significantly below levels observed to cause birth defects or other reproductive harm.

- Where can I get more information on Proposition 65?

If you have specific questions on the administration or implementation of Proposition 65, you can contact OEHHA's Proposition 65 program at P65.Questions@oehha.ca.gov, or by phone at (916) 445-6900.