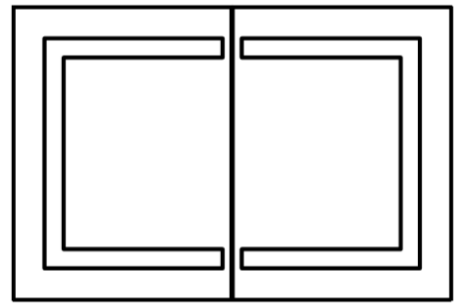
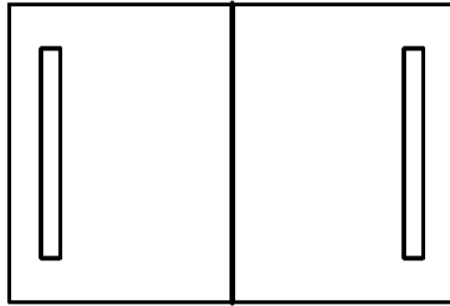
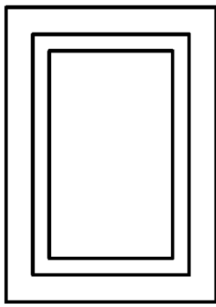


INSTALLATION INSTRUCTIONS

Apply to the below style of LED medicine cabinet



Please read carefully and save these instructions.

Don't discard any of the packaging until you are sure that you have all of the parts and the fittings.

Make sure power to the junction box is off before commencing installation.

IMPORTANT

- Unpack LED cabinet. DO NOT lay cabinet on tiled or concrete surface prior to installation. Cabinet must be on protected surface to prevent chipping of the corners.
- Care must be taken before drilling pilot holes to avoid any existing wiring or pipe work that may be concealed.
- A certified electrician must perform all work. The mirror must be connected to a GFI.

INSTALLATION

Please refer the installation diagram on next two installations manual.

- 1) Unpack the LED mirror cabinet and prepare tools needed. (See Pic.1)
- 2) Mark down the cardboard screw holes with pencil. (See Pic.2)
- 3) Drill holes, and put in the plastic expansion bolt, then fix the aluminum bar by screws. (See Pic.3&Pic.4);
- 4) Install the anti-pull bracket at below of the cabinet.(See Pic.5)
- 5) (Make sure the power off)Connect the cable before hanging thecabinet to the wall. The way for connecting wires: Black wire to Live Terminal (L), White wire to Neutral Terminal (N), Green wire to Earth Terminal (E) (120V, 60Hz). (See Pic.6)
- 6) Hang up the cabinet on the wall. Then use screws to fix the bracket. (See Pic.7&Pic 8)
- 7) According to your needs, put plastic buckles into cabinet holes in fit height, then to install the glass shelves. (See Pic.9)

FUNCTION DESCRIPTION (Either one)

Motion sensor switch

1. Turn on/off the light by motion sensor switch. (At the bottom of the LED medicine cabinet)



Touch sensor switch

2. Turn on/off the light by touch sensor switch. (At the mirror surface)

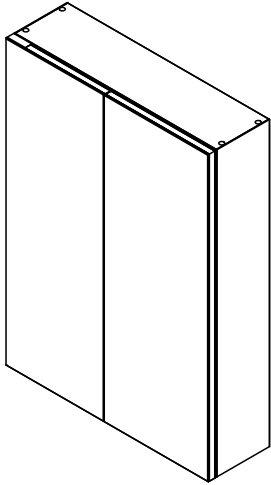


MAINTENANCE

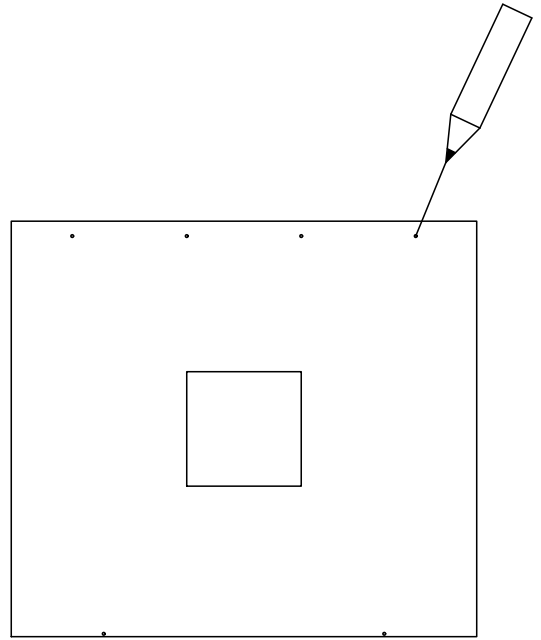
Wipe clean with a soft damp cloth. Apply glass cleaner to cloth and do not apply directly to mirror.

Never use abrasive cleaners as these could damage the finish or exposed LED strips.

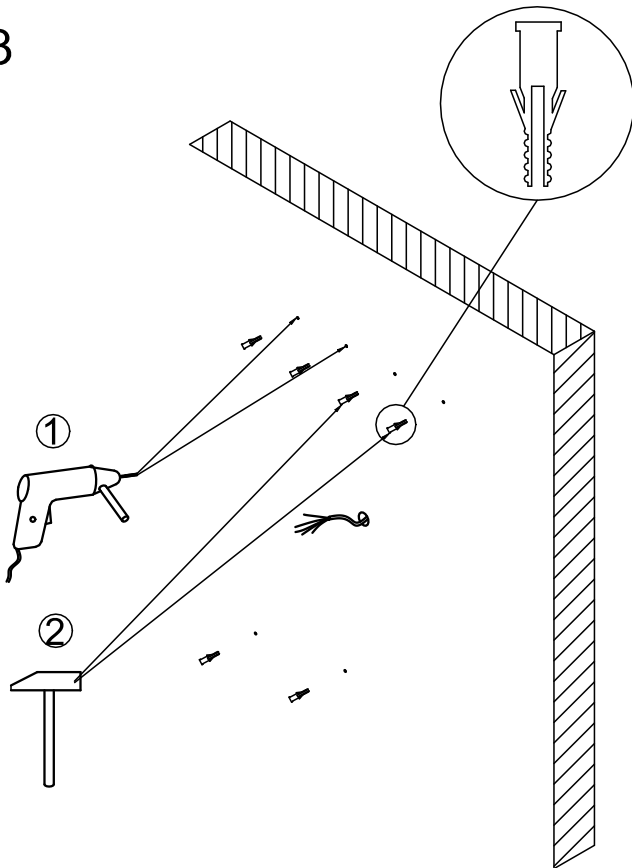
1



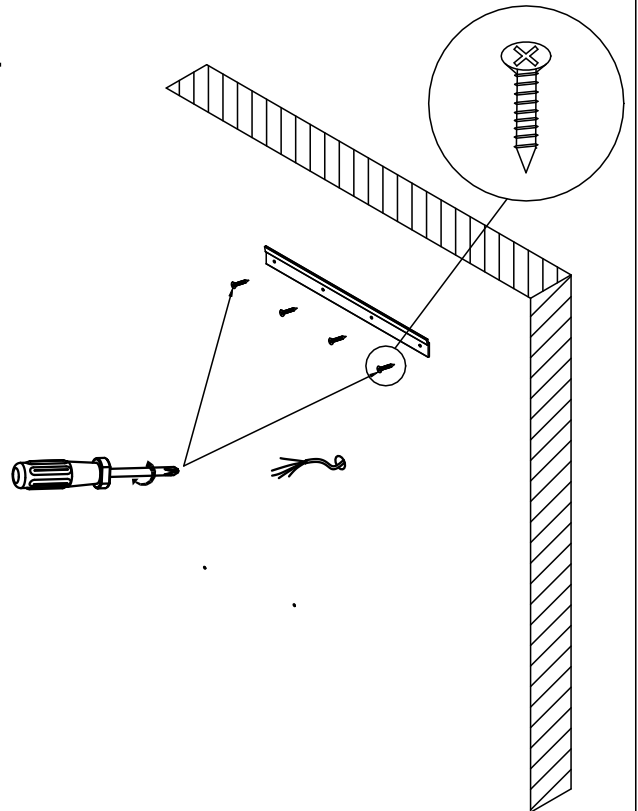
2



3

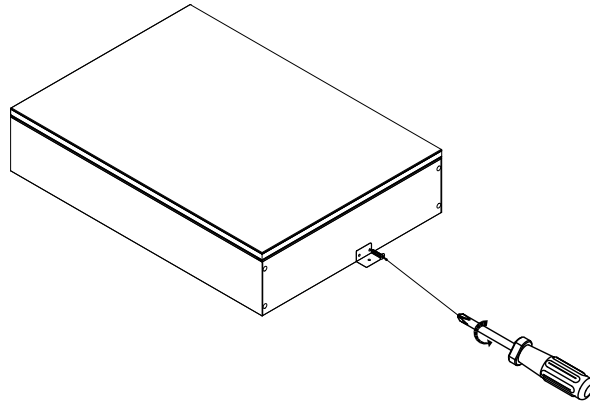


4

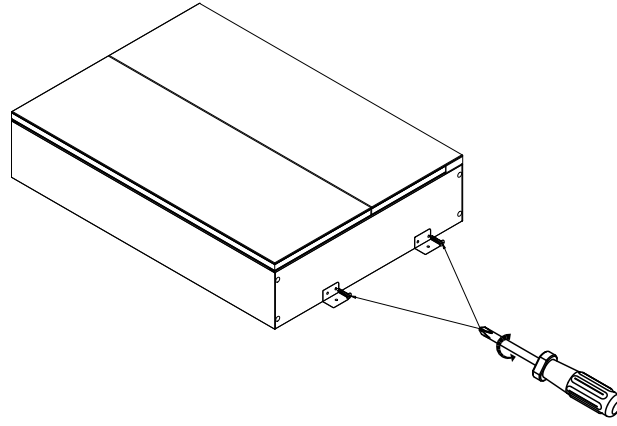


5

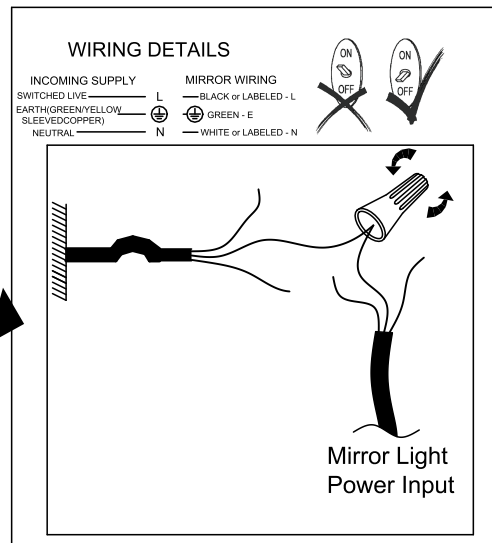
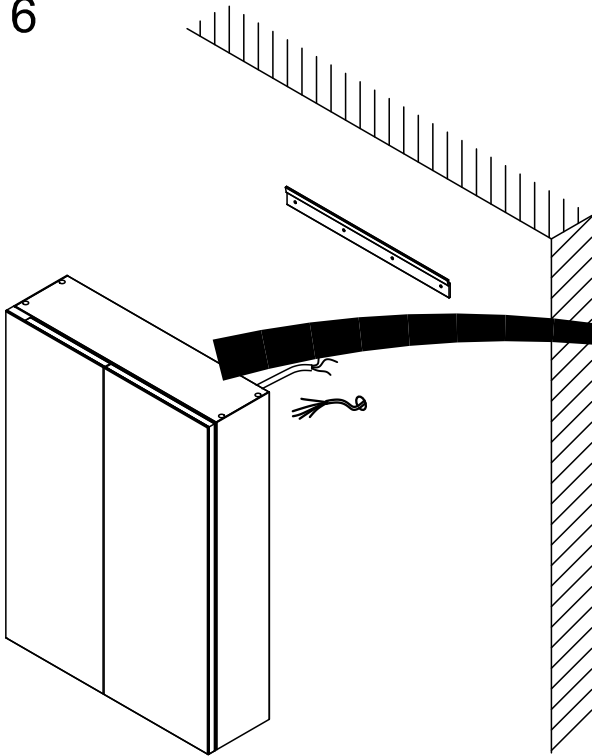
Single door cabinet



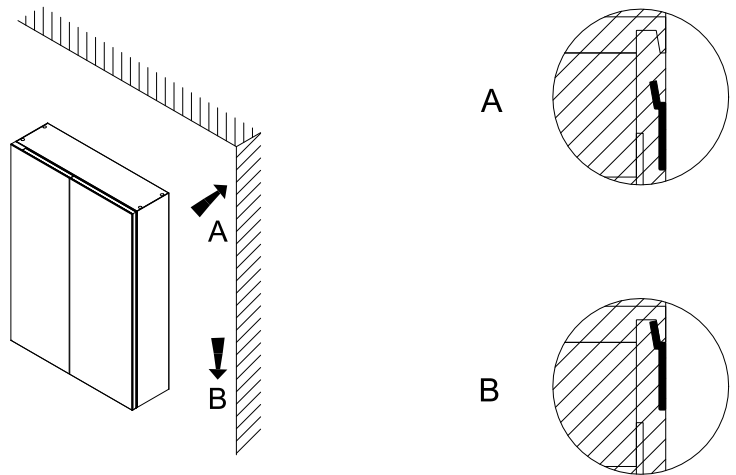
Two door cabinet



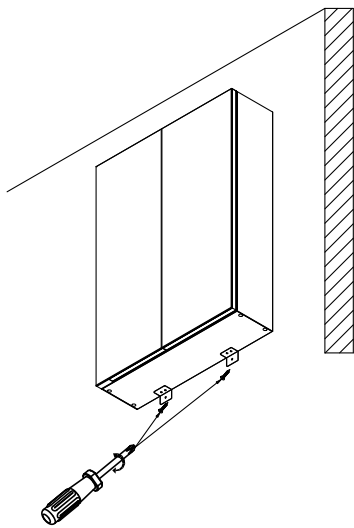
6



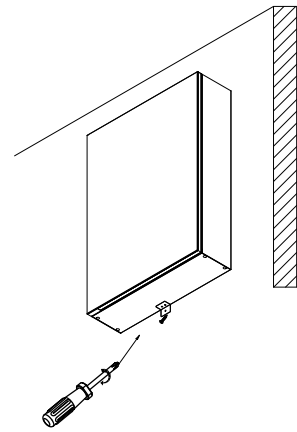
7



8



Two door cabinet



Single door cabinet

9

