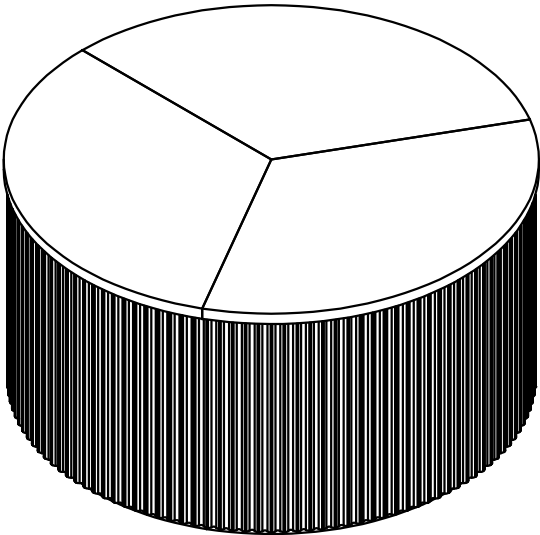


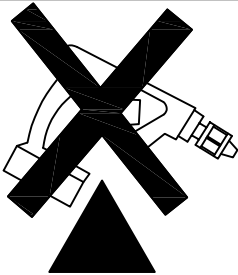
ASSEMBLY INSTRUCTION

Round Coffee Table 30"

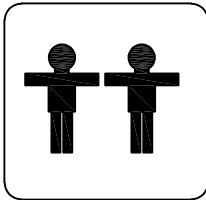


REPLACEMENT PARTS

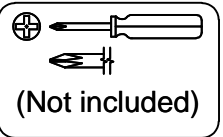
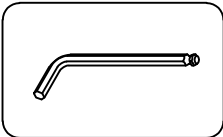
Please do not contact the company purchased from as we can help you faster.



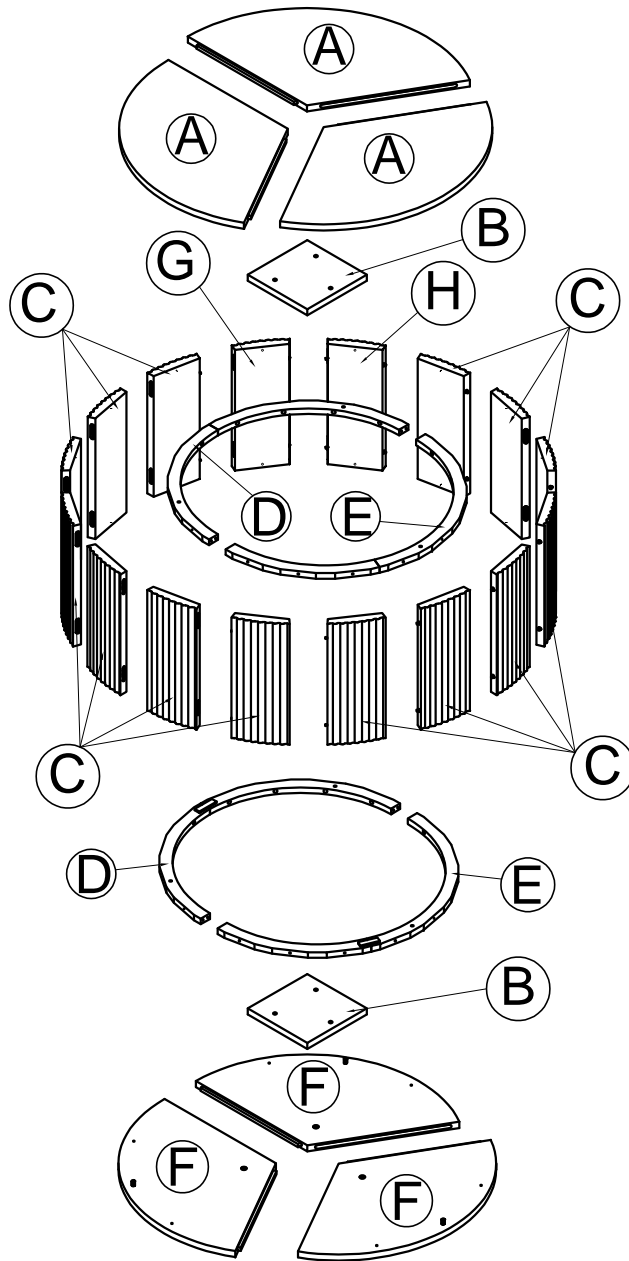
- . Use of power tool to assemble this product will invalidate any claim and damage this product making it unsafe !!!
- . Please assemble on a clean soft surface to avoid damage.




Tools Required




Part list - Amos Round Coffee Table 30"




Identifying the hardware-Identify the hardware using the illustrations below


①  09
M6 x 30mm

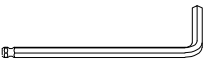
②  8
Ø6 x 30mm

③  08
Ø4x15mm



④  38
Ø4x30mm

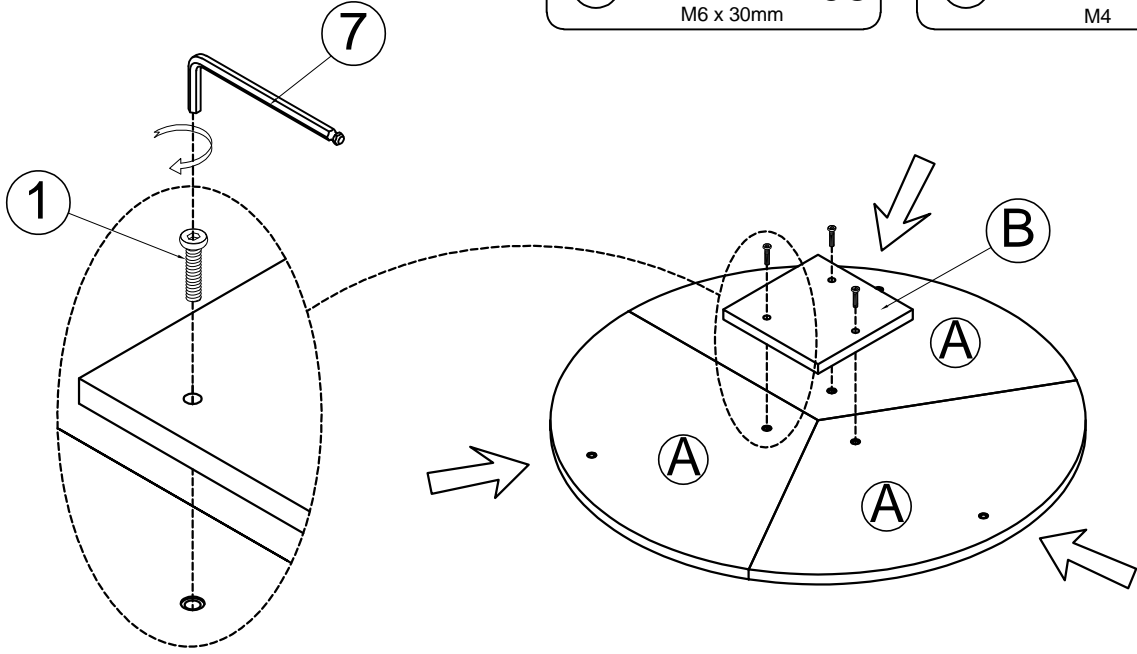
⑤  04
Metal Bracket

⑥  04
50x20x2mm



⑦  01
M4

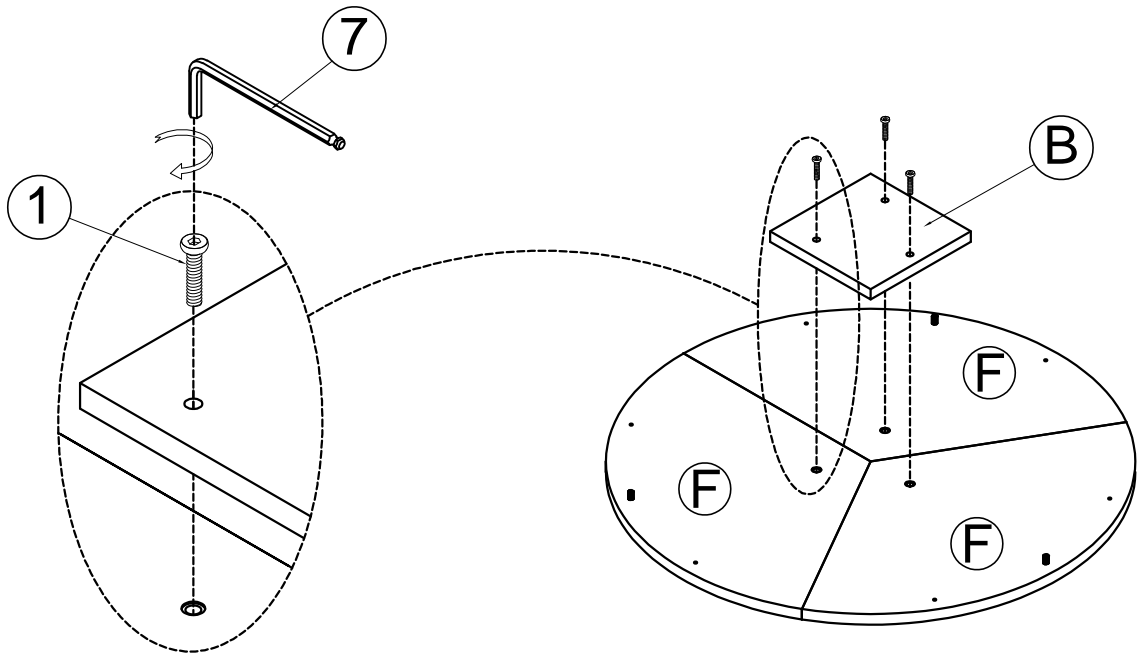
STEP 1

①		03	⑦		01
	M6 x 30mm			M4	

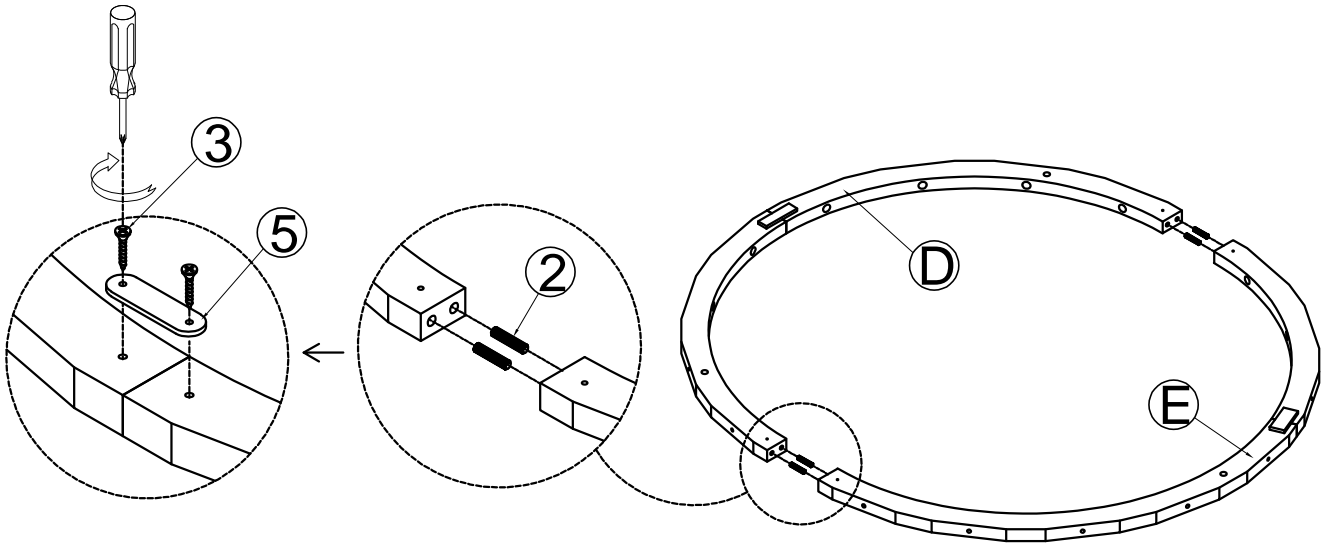
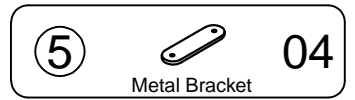
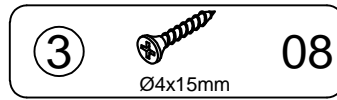
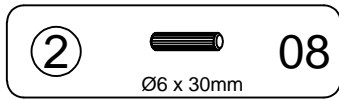


STEP 2

①		03	⑦		01
	M6 x 30mm			M4	

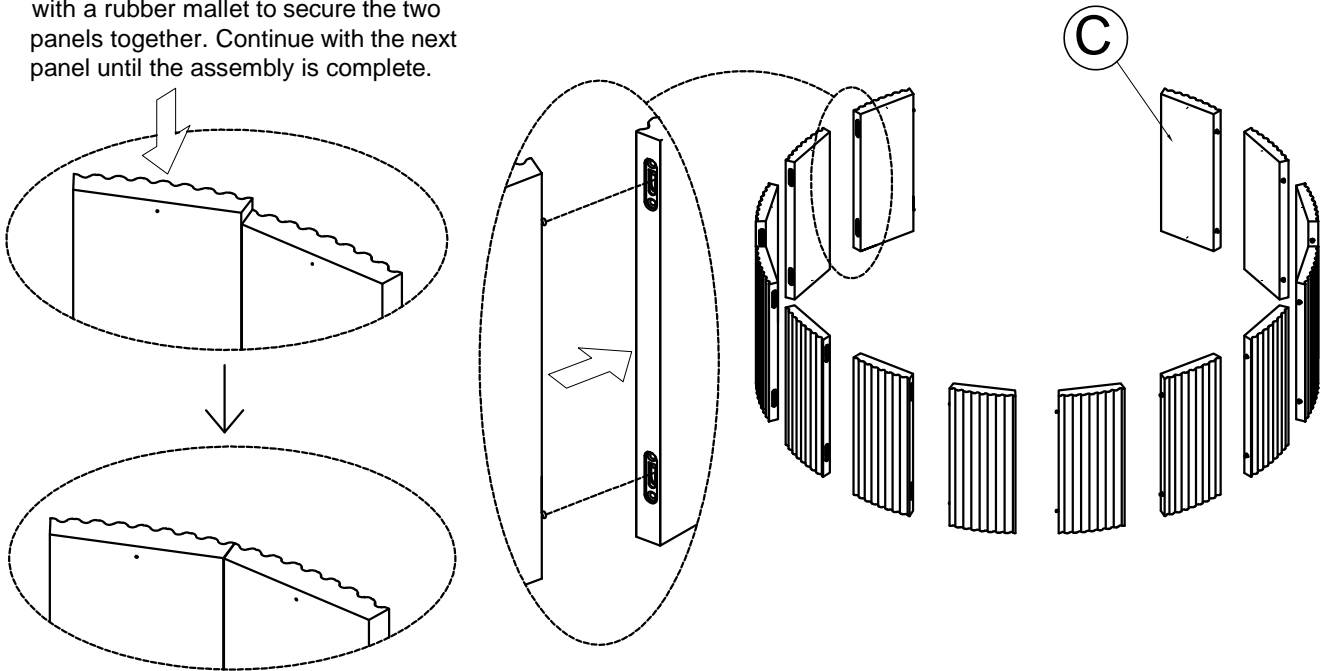


STEP 3

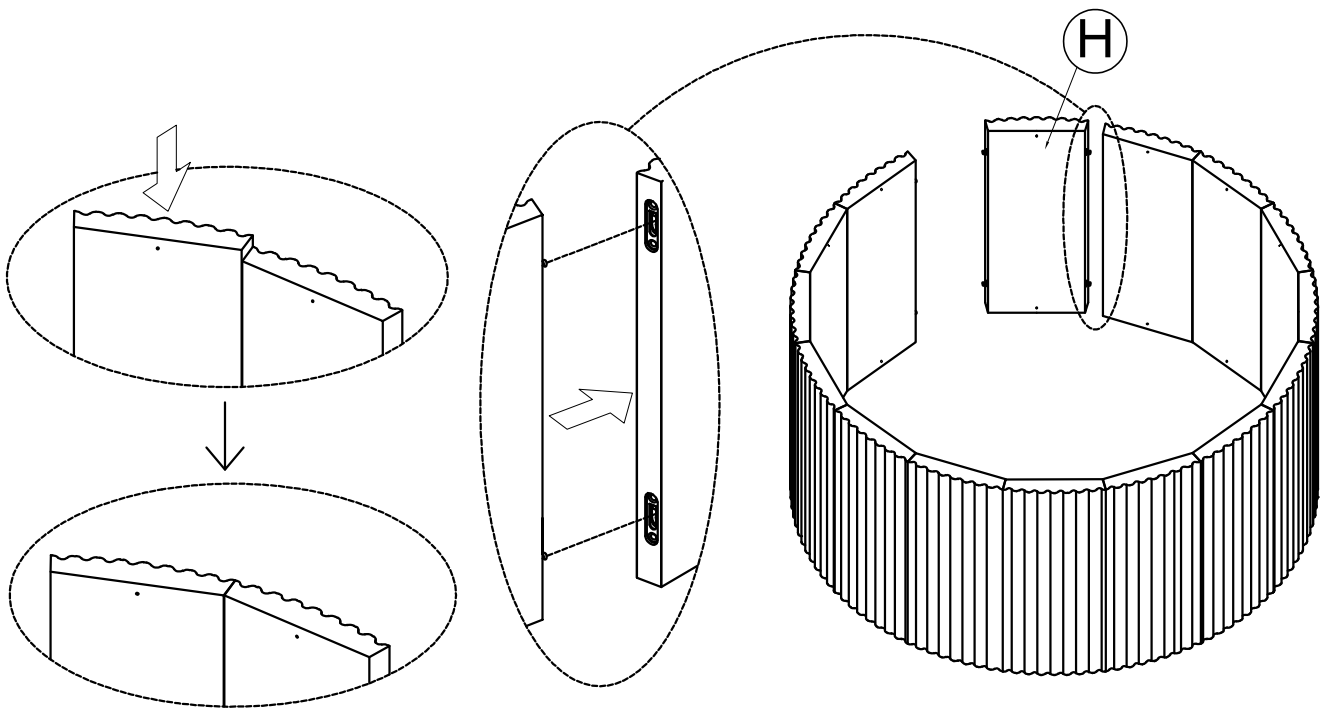


STEP 4

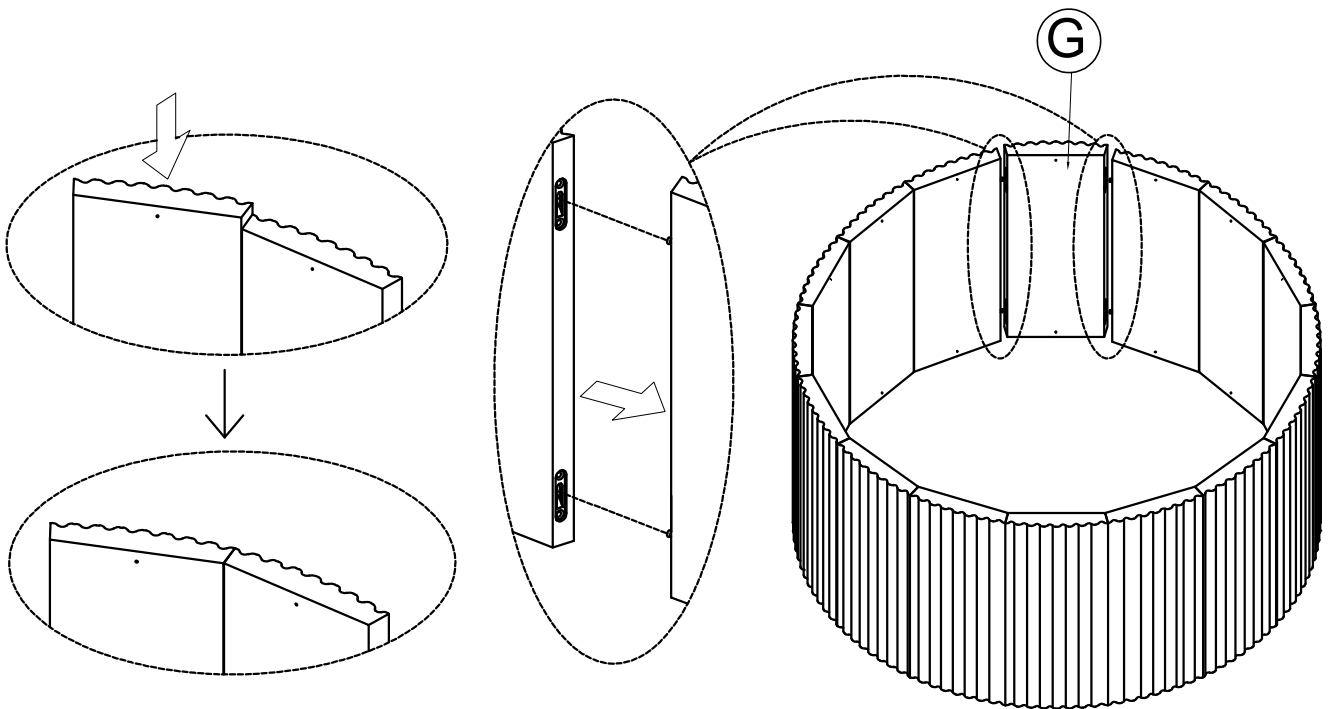
Press down firmly by hand or tap gently with a rubber mallet to secure the two panels together. Continue with the next panel until the assembly is complete.



STEP 5

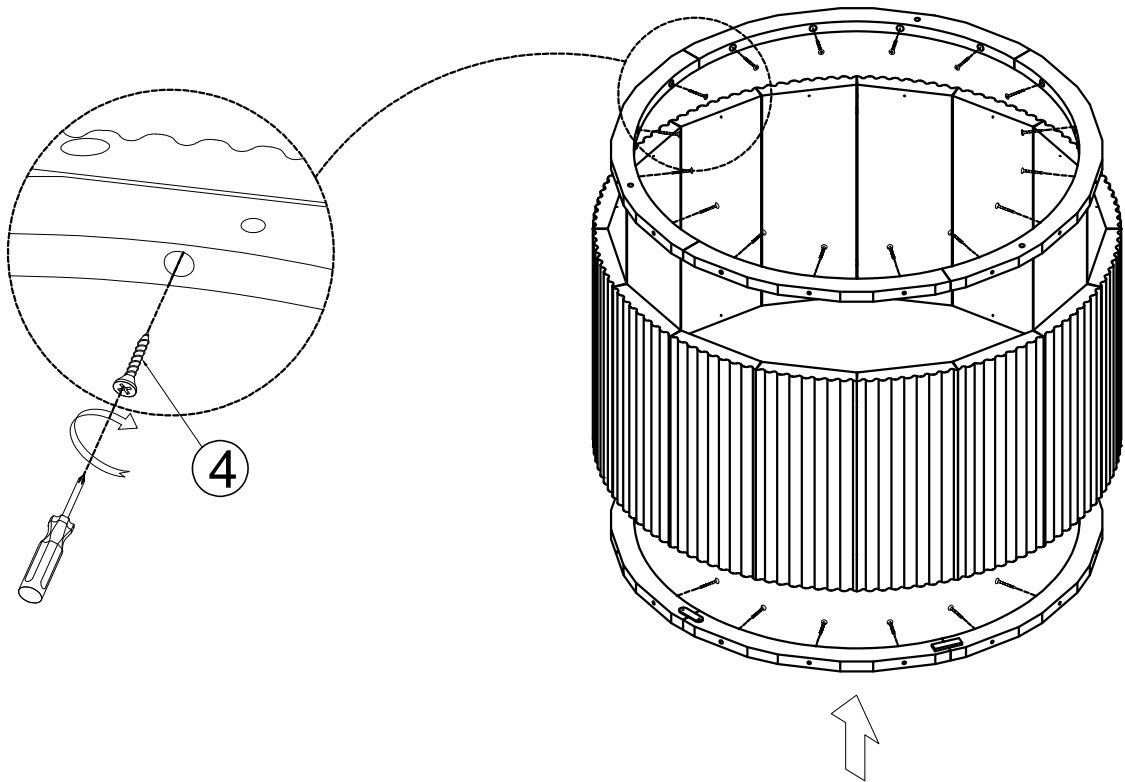


STEP 6





STEP 7

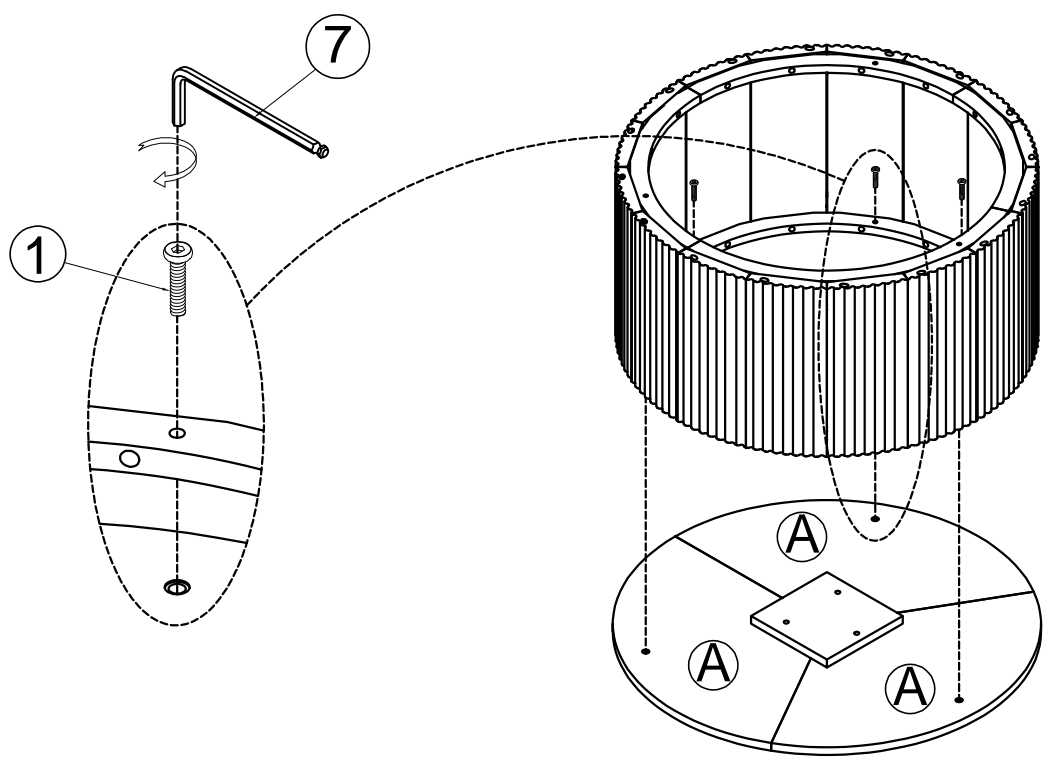
④  32
Ø4x30mm



STEP 8

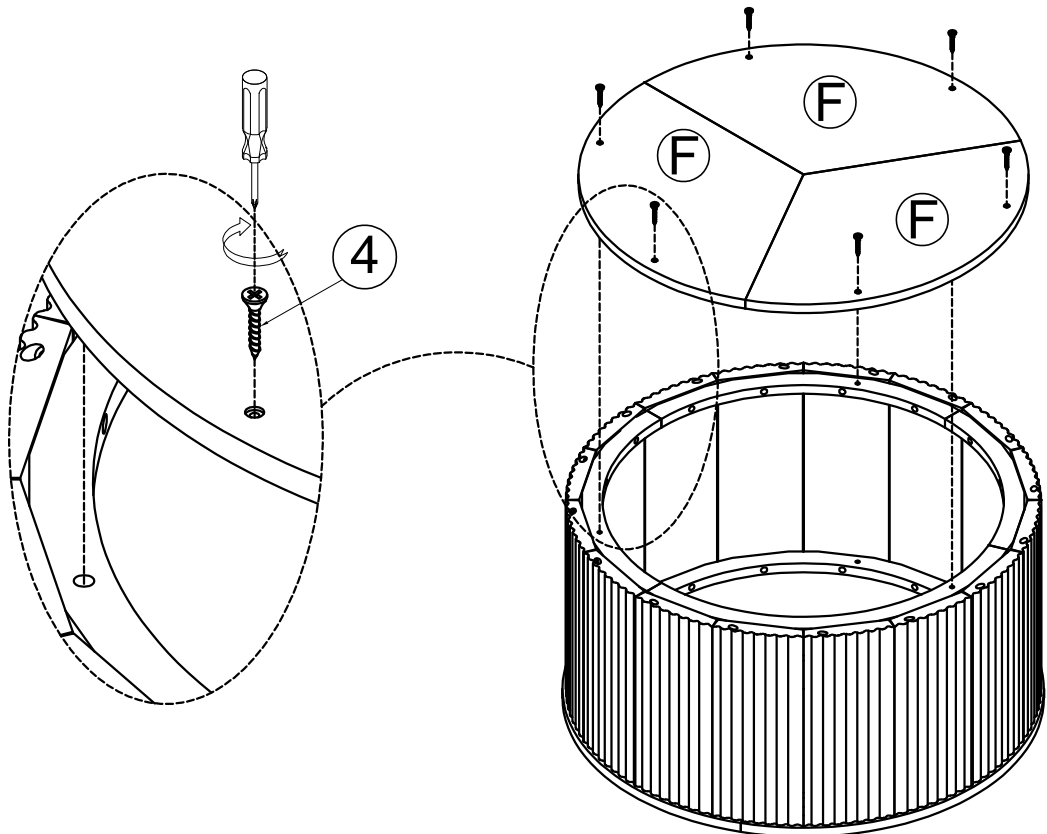
①  03
M6 x 30mm

⑦  01
M4




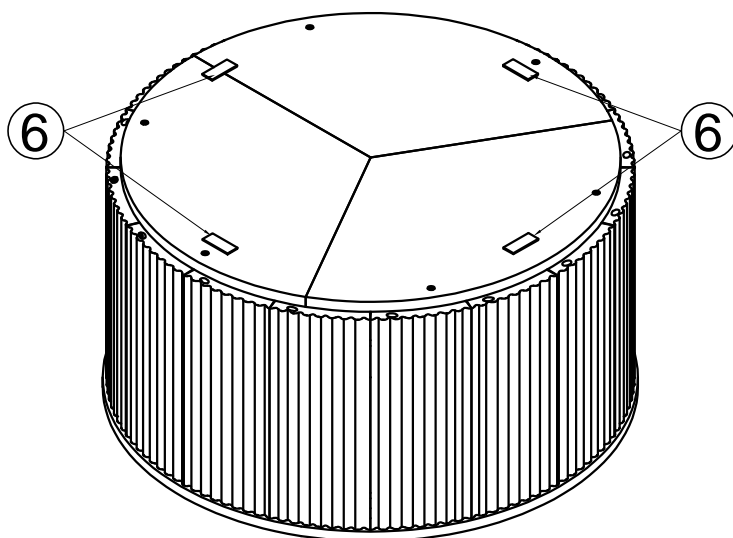
STEP 9

④  06
Ø4x30mm



STEP 10

⑥  04
50x20x2mm



Complete

