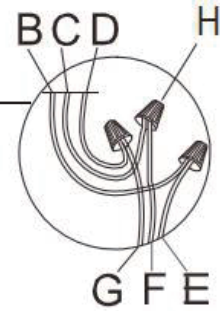
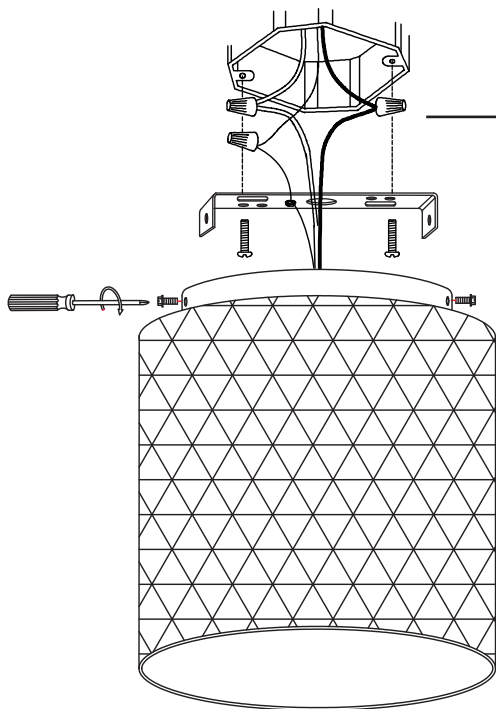


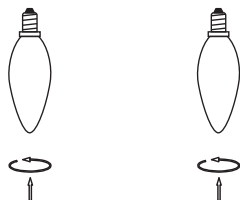
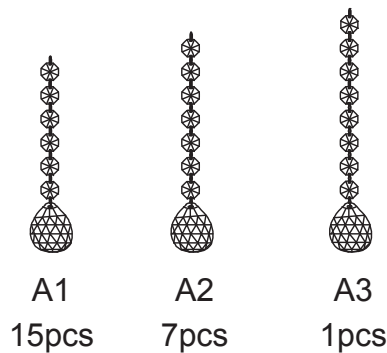
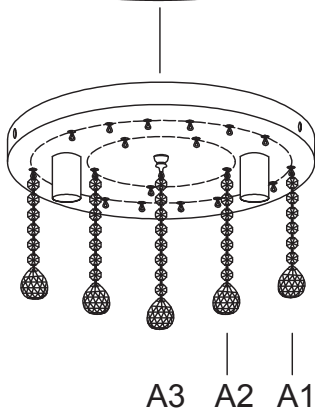
INSTRUCTION MANUAL

SAVE THESE INSTRUCTIONS FOR FUTURE REFERENCE

- Use a qualified electrician for installation of this lighting fixture.
- Before installing fixture, disconnect power by turning off the circuit breaker or by removing the fuse at the fuse box.
- All electrical connections must be in accordance with local and National Electrical Code or Canadian Electrical Code standards.
- Use CSA or UL certified wire connectors suitable for the gauge, type and number of conductors.
- Please connect the ground wire (green or bare copper) to the bare copper wire which from the fixture as attached. If the junction box doesn't have ground wire, attach the bare copper fixture wire could be connected to the green ground screw on the crossbar.



B-Black wire(L) from junction box
C-White wire(N) from junction box
D-Green wire/Bare copper (G) from junction box
E-Black wire (L) from fixture
F-White wire (N) from fixture
G-Green wire/Bare copper from fixture
H-Wire connector x 3



IMPORTANT SAFETY INSTRUCTIONS

1. Before energizing, make sure that the light system is clear of all material which could cause a direct short and check all electrical connections to make sure they are tight.
2. CAUTION: Install the recommended bulb, Do not exceed recommended maximum wattage.
3. Please Turn off the power before cleaning out and replacing bulb.