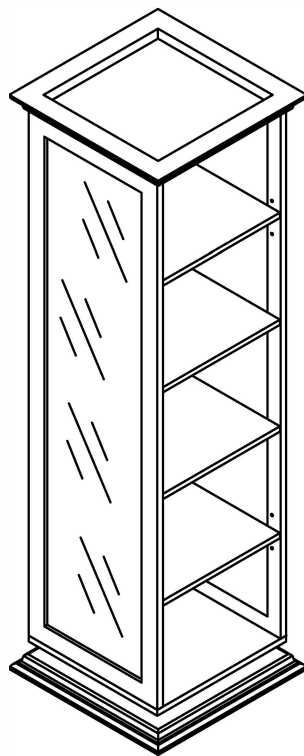


ASSEMBLY INSTRUCTIONS



Swivel Cabinet

ASSEMBLY INSTRUCTIONS

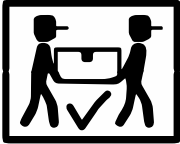
ASSEMBLY TIPS:

1. Remove hardware from box and sort by size.
2. Please check to see that all hardware and parts are present prior to start of assembly.
3. Please follow attached instructions in the same sequence as numbered to assure fast & easy assembly.



WARNING!










1. Don't attempt to repair or modify parts that are broken or defective. Please contact the store immediately.
2. This product is for home use only and not intended for commercial establishments.















ASSEMBLY TIME

50 MINUTES

PARTS IDENTIFICATION

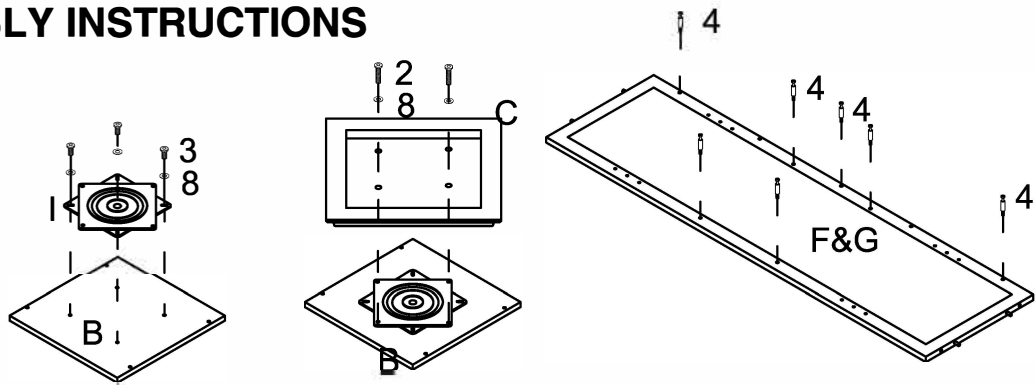
A	TOP PANEL		1PC	F	MIRROR PANEL		1PC
B	BOTTOM PANEL		1PC	G	CORK BOARD PANEL		1PC
C	BASE PANEL		1PC	H	BACK PANEL		1PC
D	DIVIDER PANEL		2PCS	I	SWIVEL PLATE		1PC
E	SHELF		2PCS				

HARDWARE IDENTIFICATION

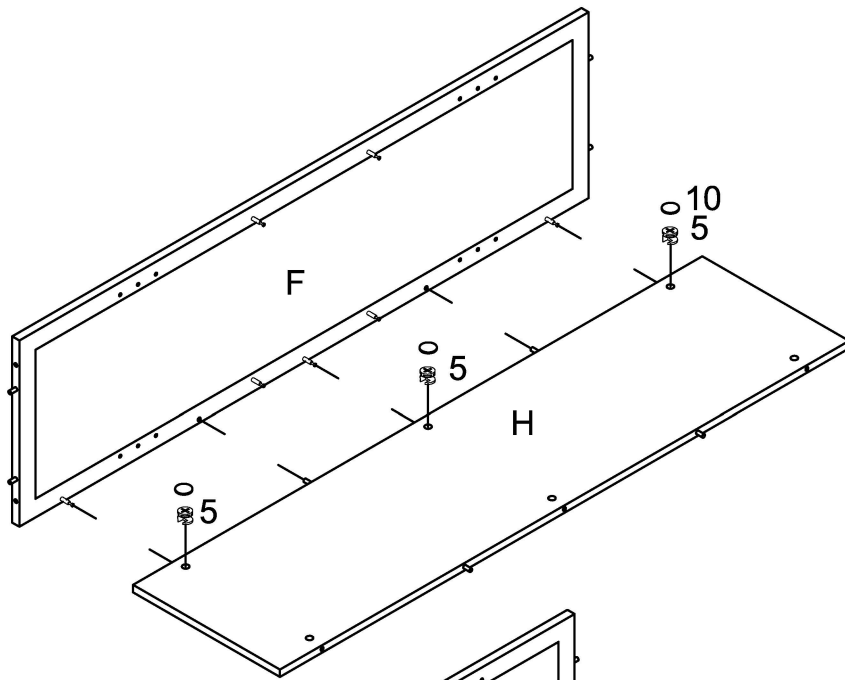
1	BOLT (1/4" x 1-1/2")		8PCS	7	SCREW (3 x 14mm)		6PCS
2	BOLT (1/4" x 1")		4PCS	8	FLAT WASHER (1/4" x 19mm)		16PCS
3	BOLT (1/4" x 1/2")		4PCS	9	GLUE (20g)		1PC
4	CAM-BOLT (Ø6 x 38mm)		14PCS	10	COVER (Ø18mm)		14PCS
5	CAM-LOCK (Ø15mm)		14PCS	11	GLASS SUPPORT (Ø6.2mm)		8PCS
6	HOOK (60mm)		3PCS	12	ALLEN WRENCH (4mm)		1PC

ASSEMBLY INSTRUCTIONS

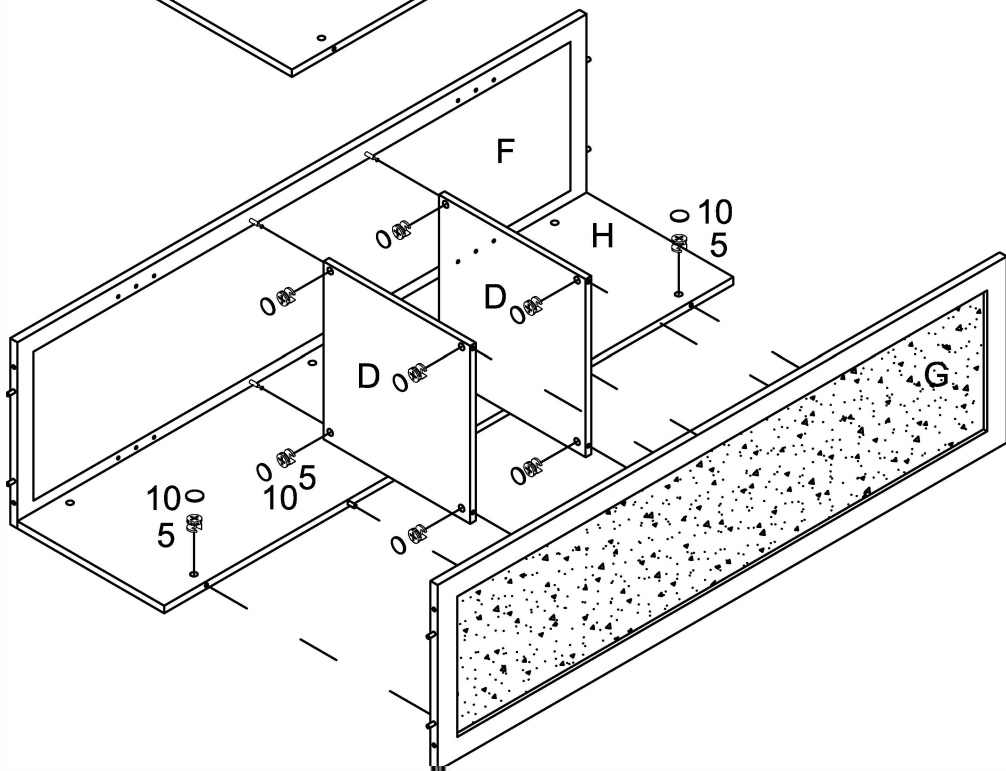
STEP 1



STEP 2

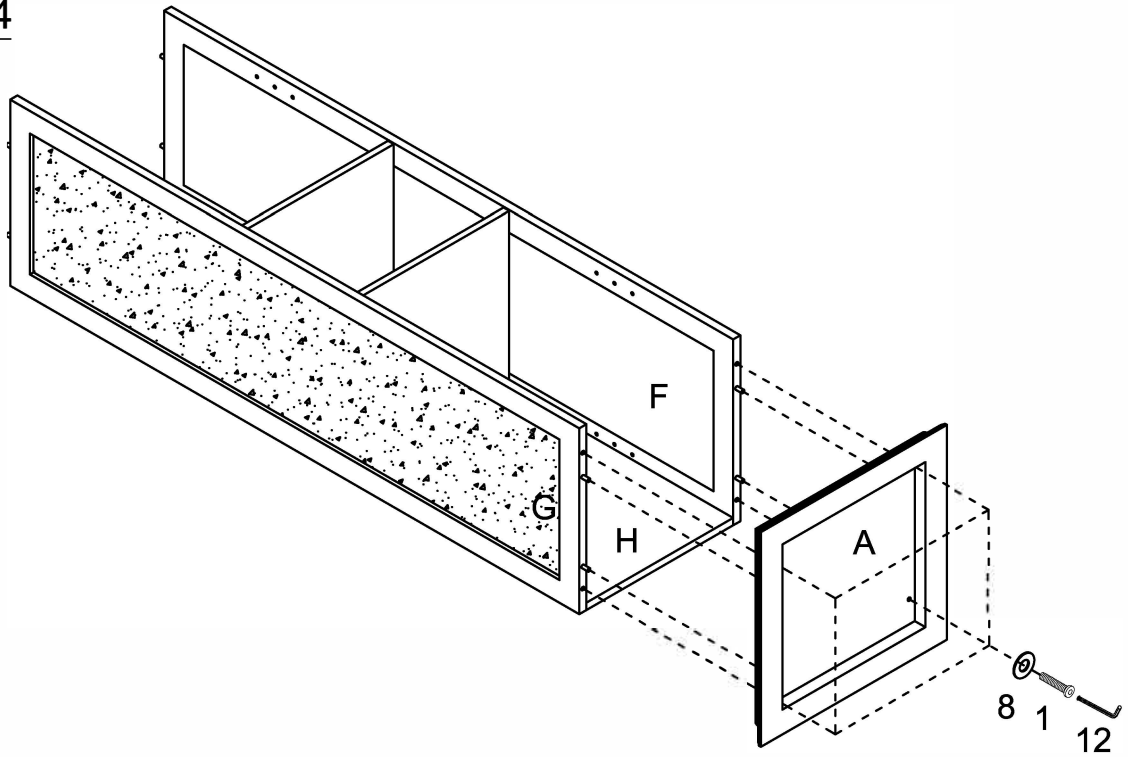


STEP 3

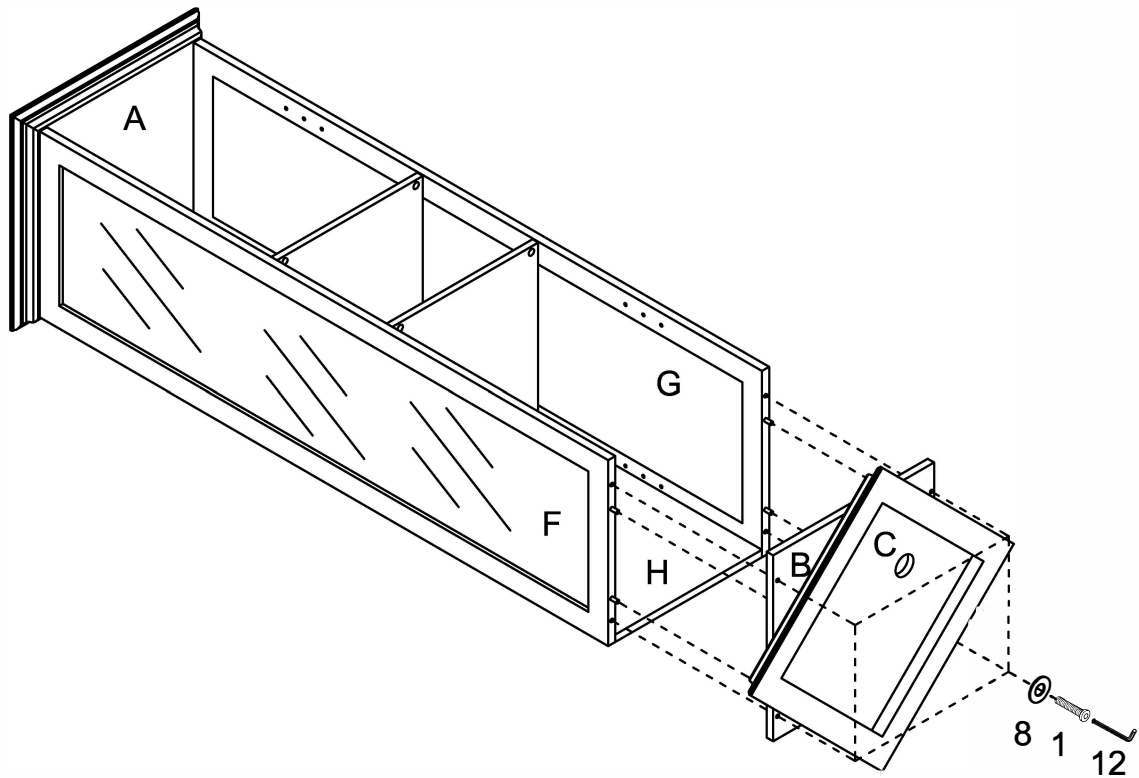


ASSEMBLY INSTRUCTIONS

STEP 4

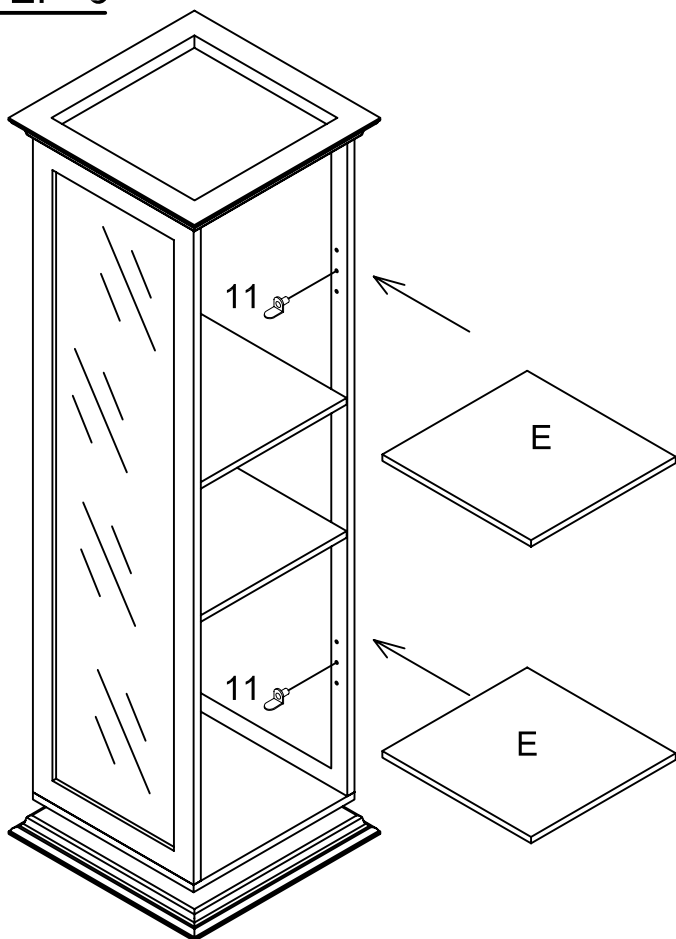


STEP 5

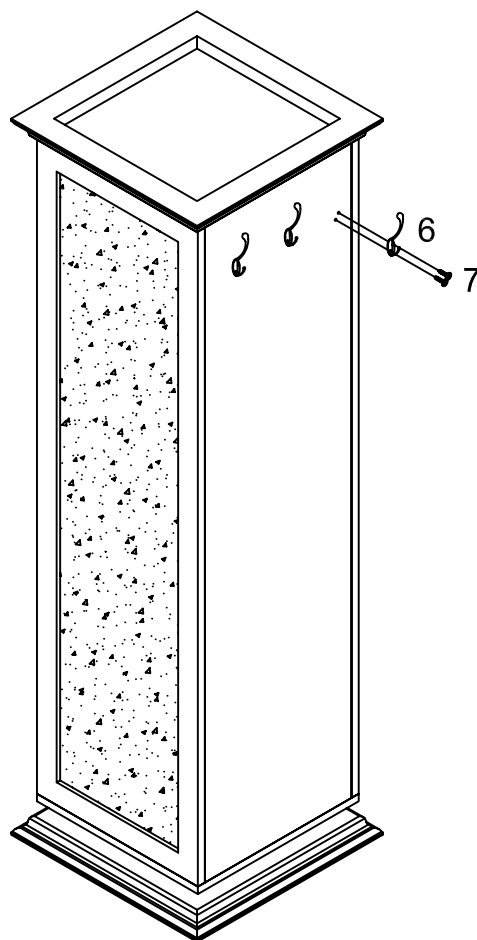


ASSEMBLY INSTRUCTIONS

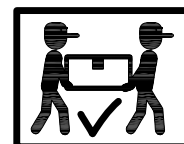
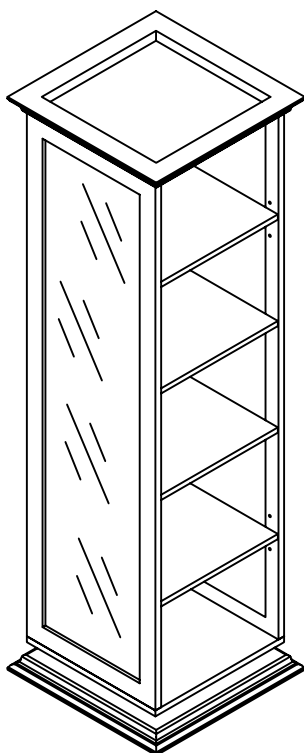
STEP 6



STEP 7



STEP 8 COMPLETE



ASSEMBLY INSTRUCTIONS

