



**FBDT22**

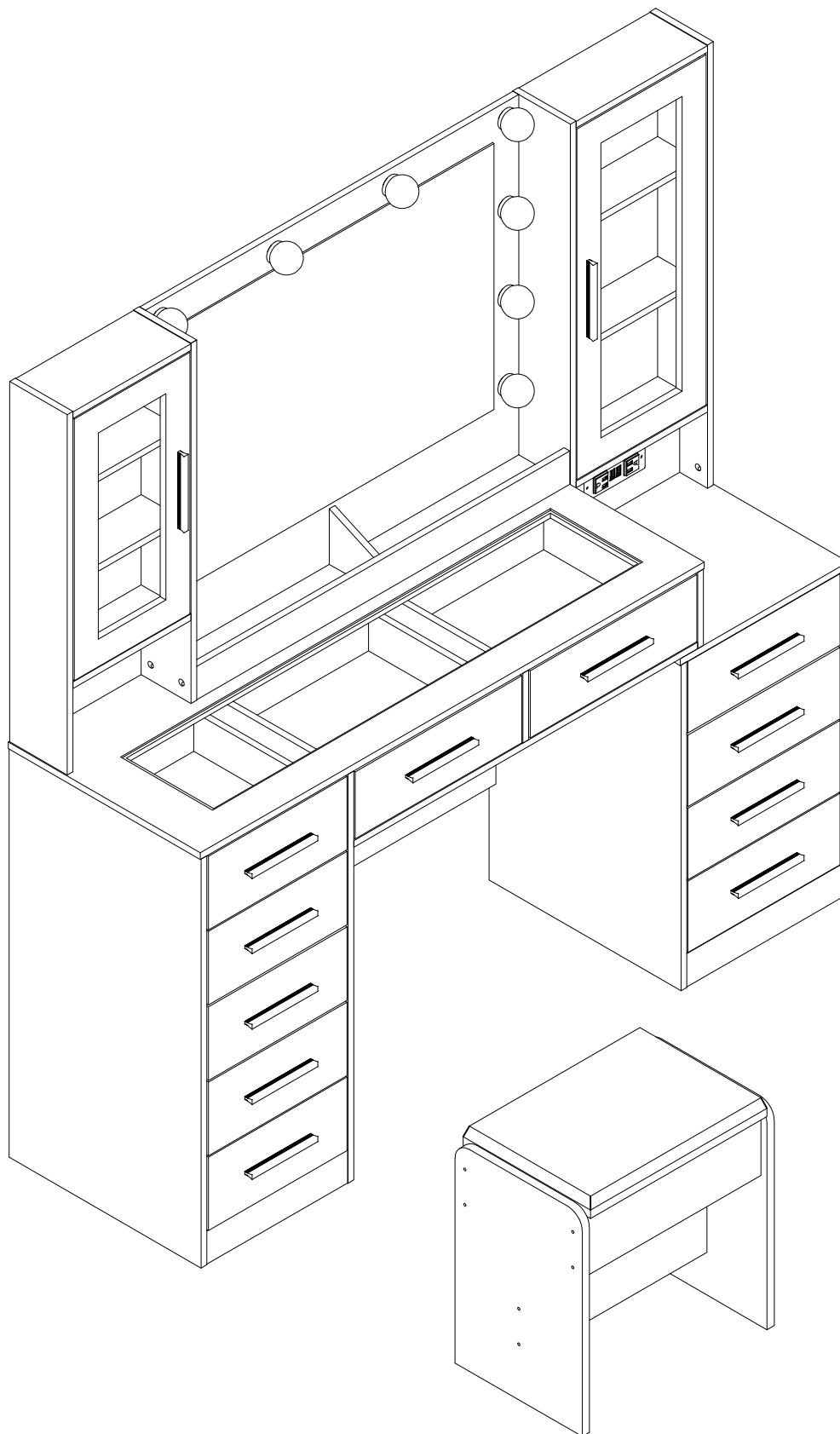
---

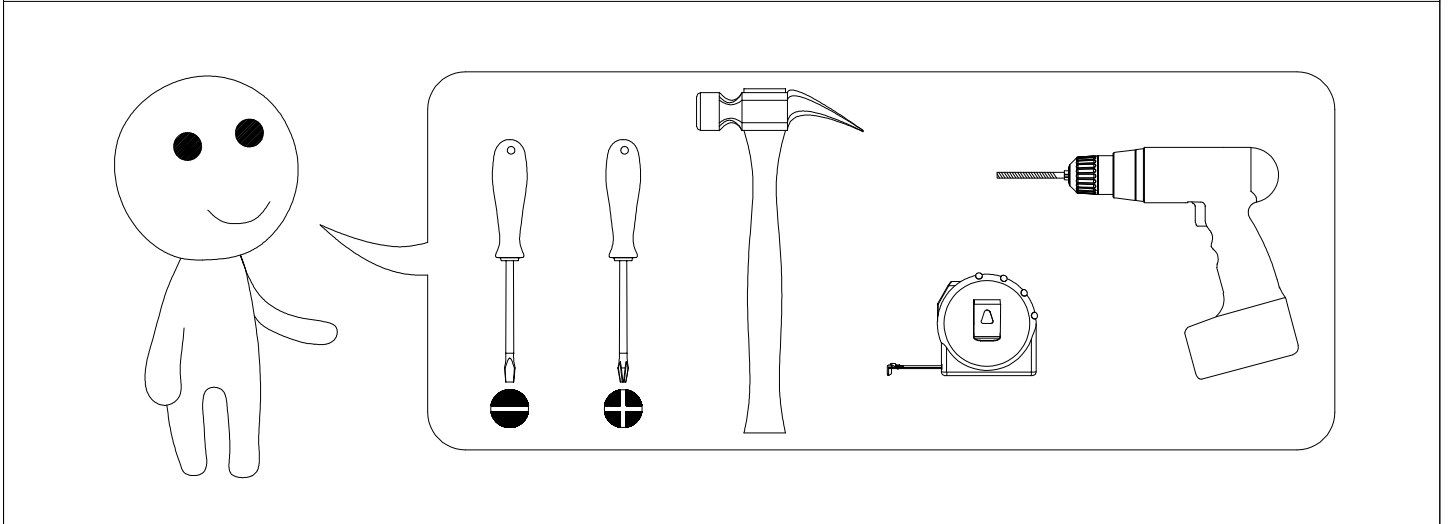
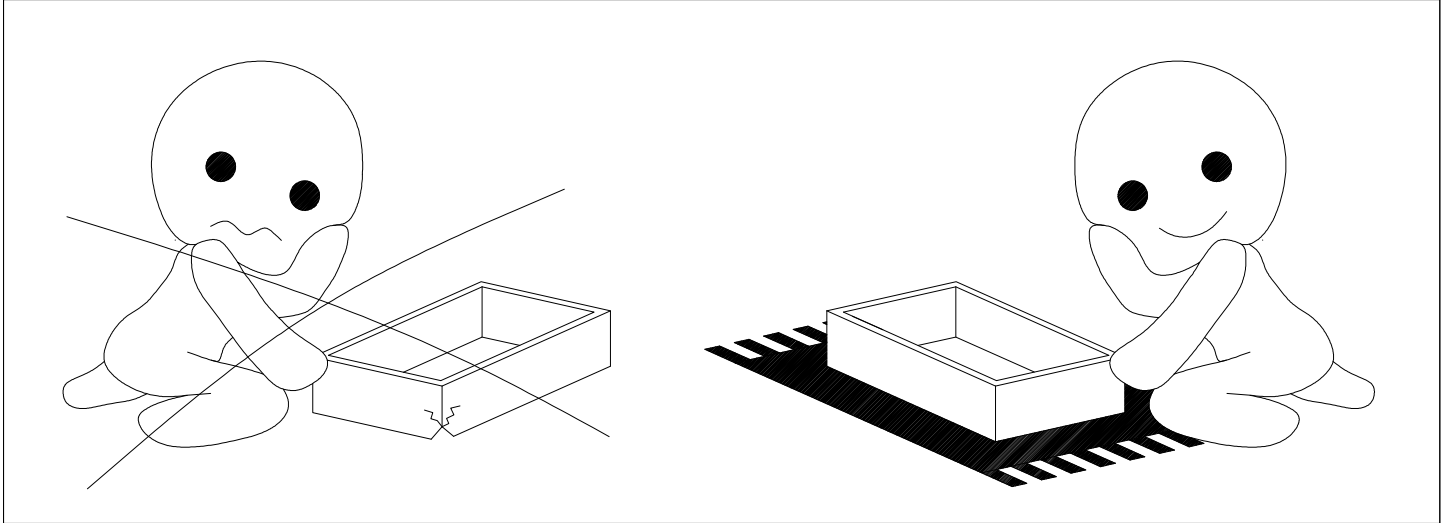
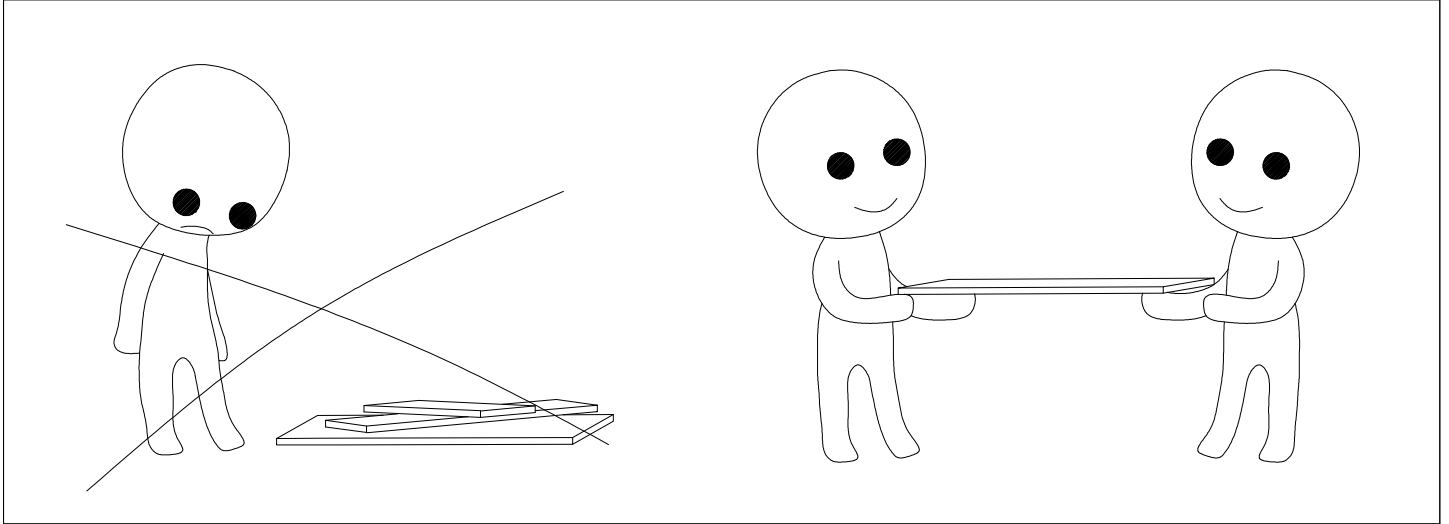
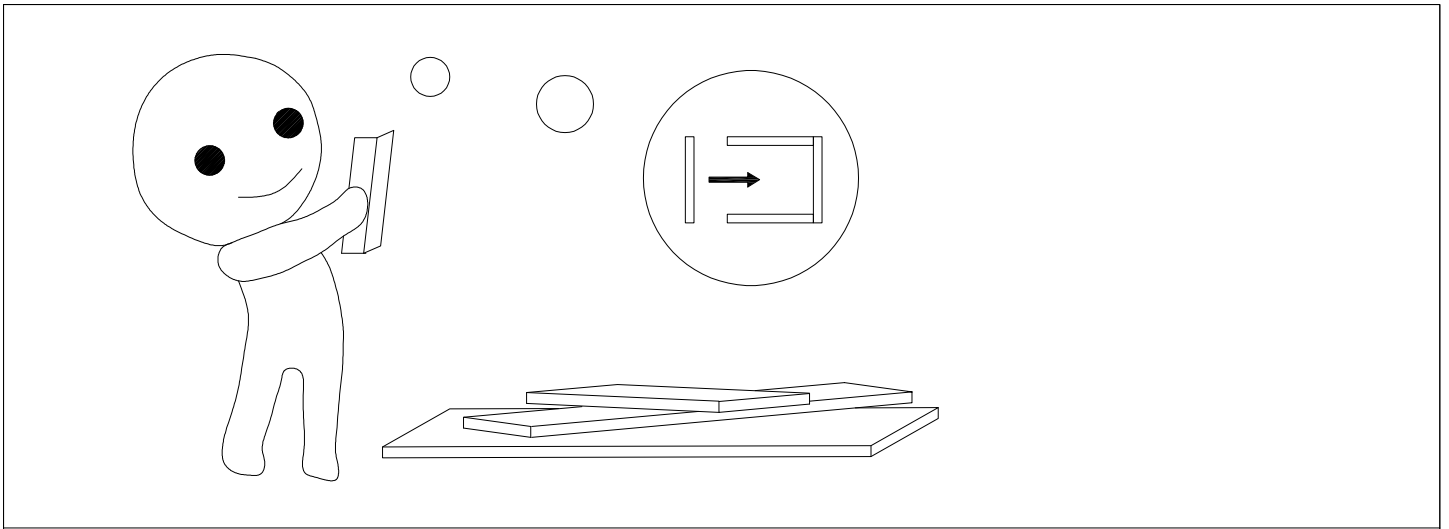
# **Instruction Manual**

---

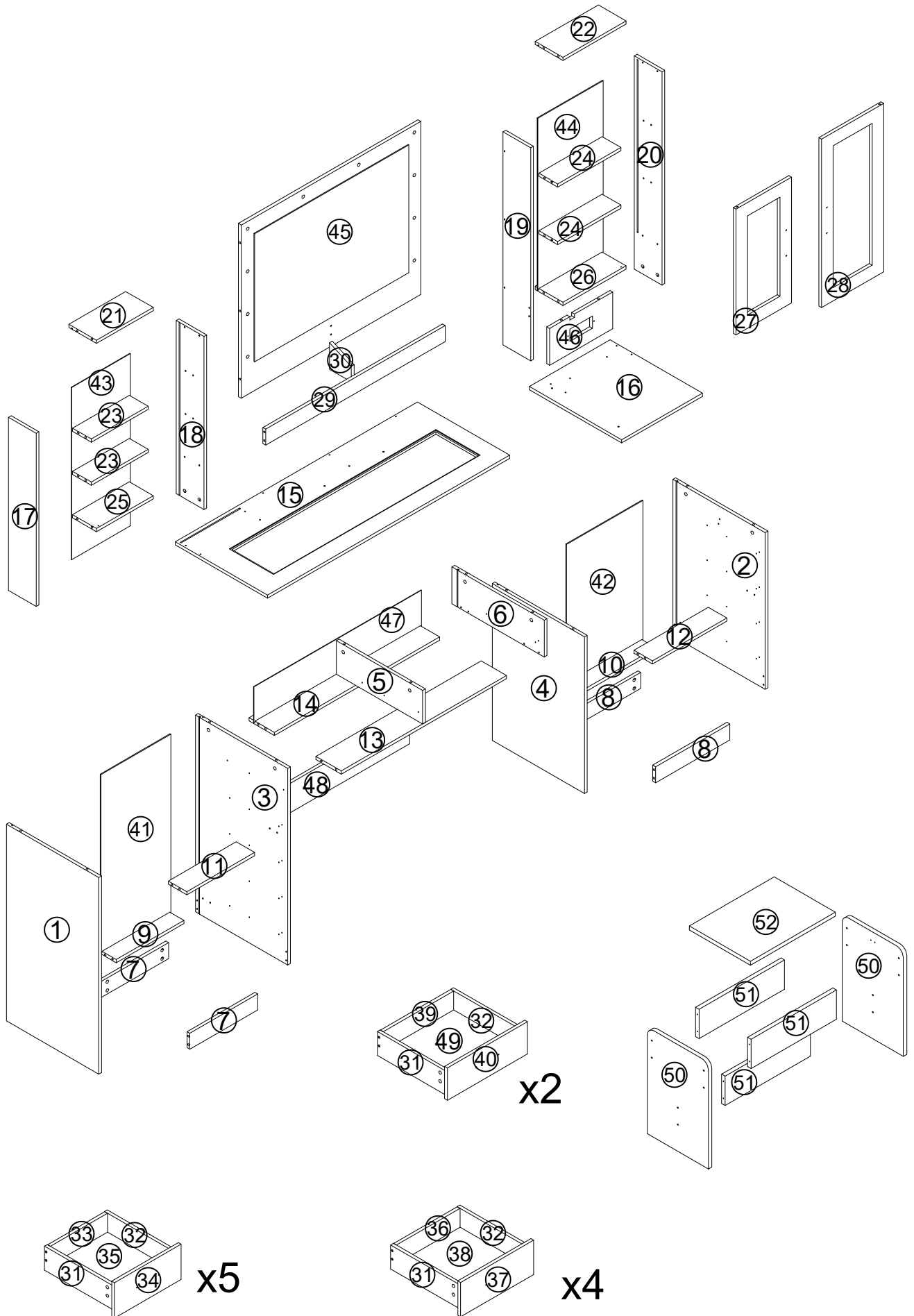
# Assembly Instruction

Decorate your home, Brighten wonderful life



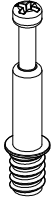


# PLATE NUMBER



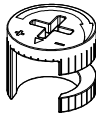
# ACCESSORIES LIST

A ×157



M6×35

B ×157



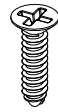
12×10

C ×65



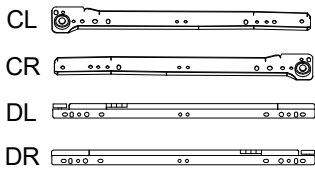
M5×40

D ×176



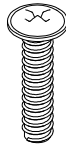
M3×12

E ×11



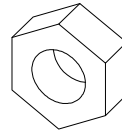
M300

F ×2

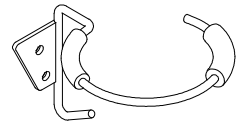


M4×22

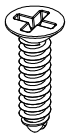
G ×2



H ×1

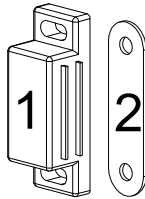


J ×4

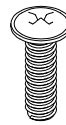


M3×14

K ×2

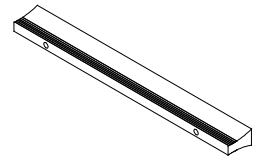


L ×26



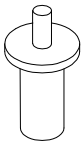
M4×14

M ×13

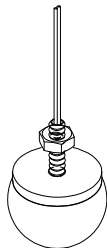


M96

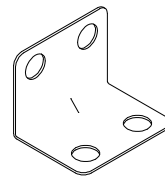
N ×4



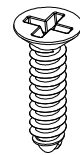
P ×10



Q ×2

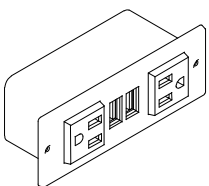


R ×10

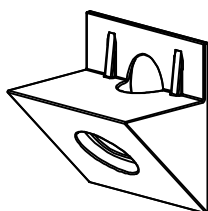


M3.5×12

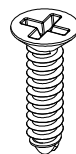
S ×1



T ×18

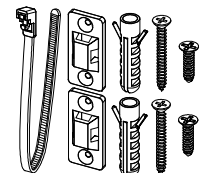


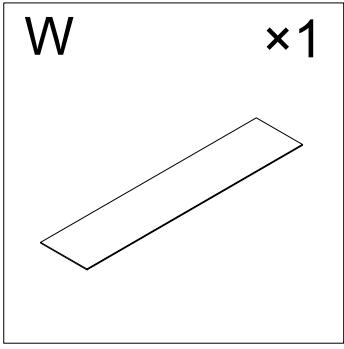
U ×18



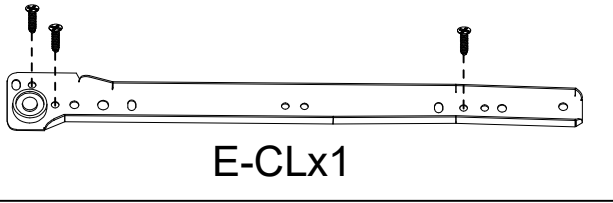
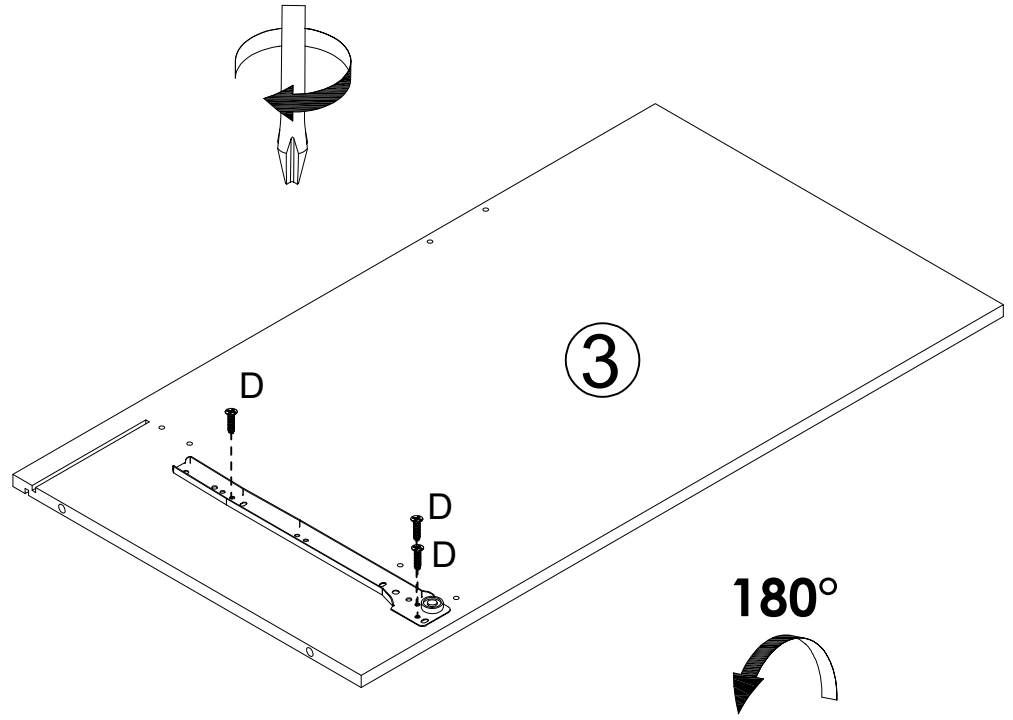
M3.5×14

V ×1

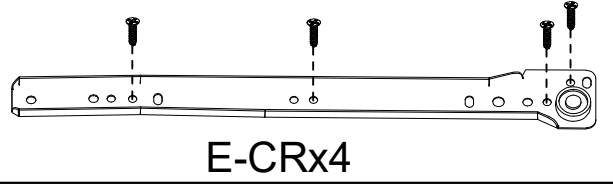
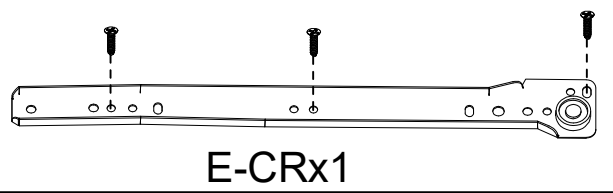
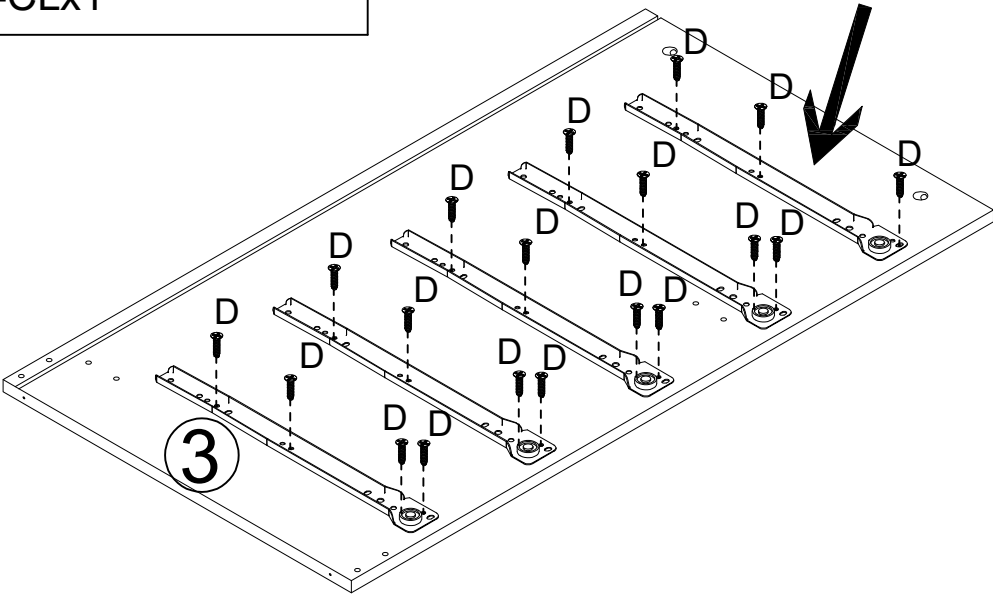




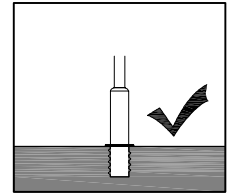
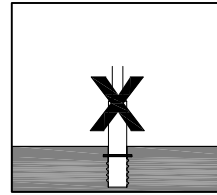
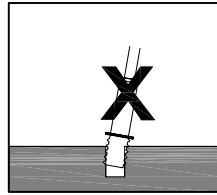
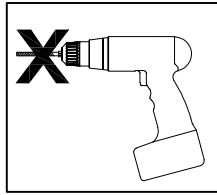
# STEP 1



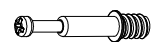
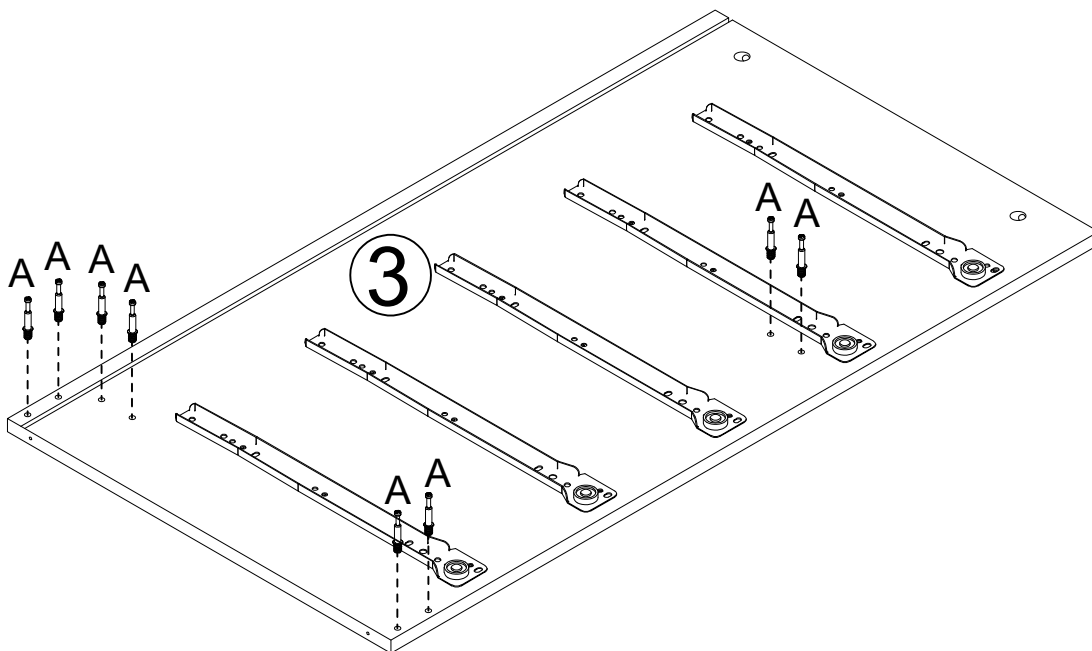
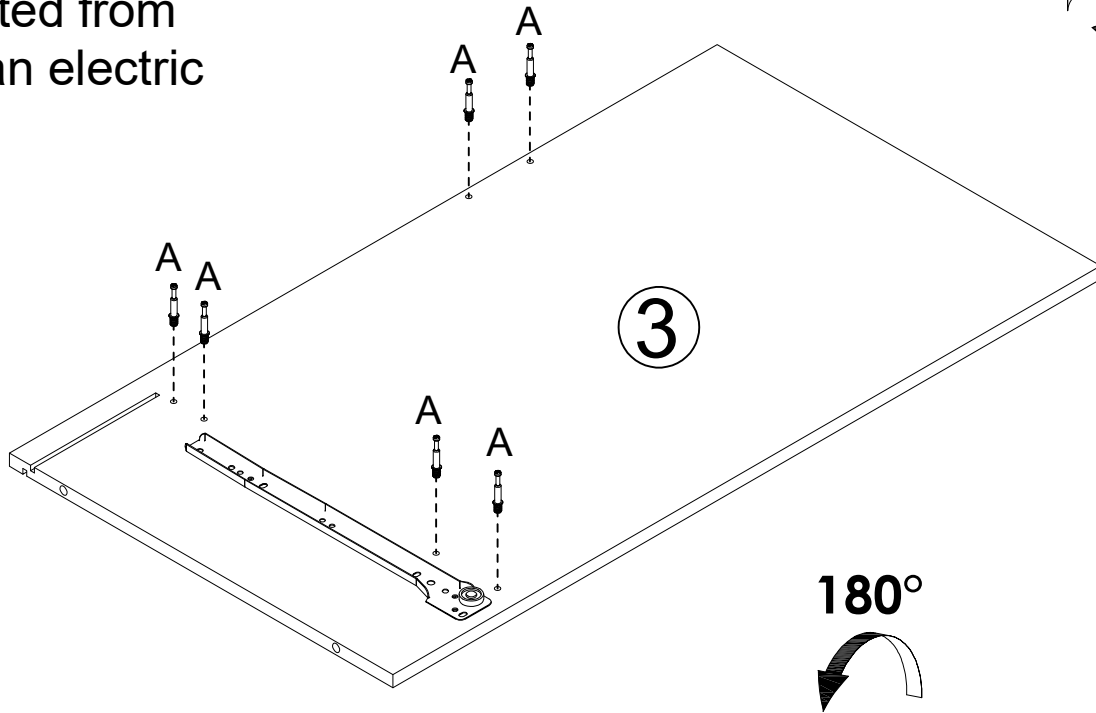
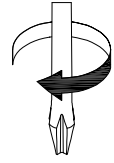
The rail indicated by this arrow is only installed with three screws D.



# STEP2

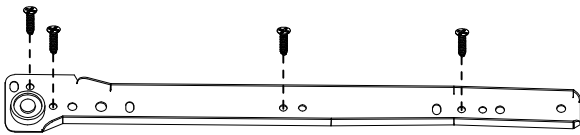
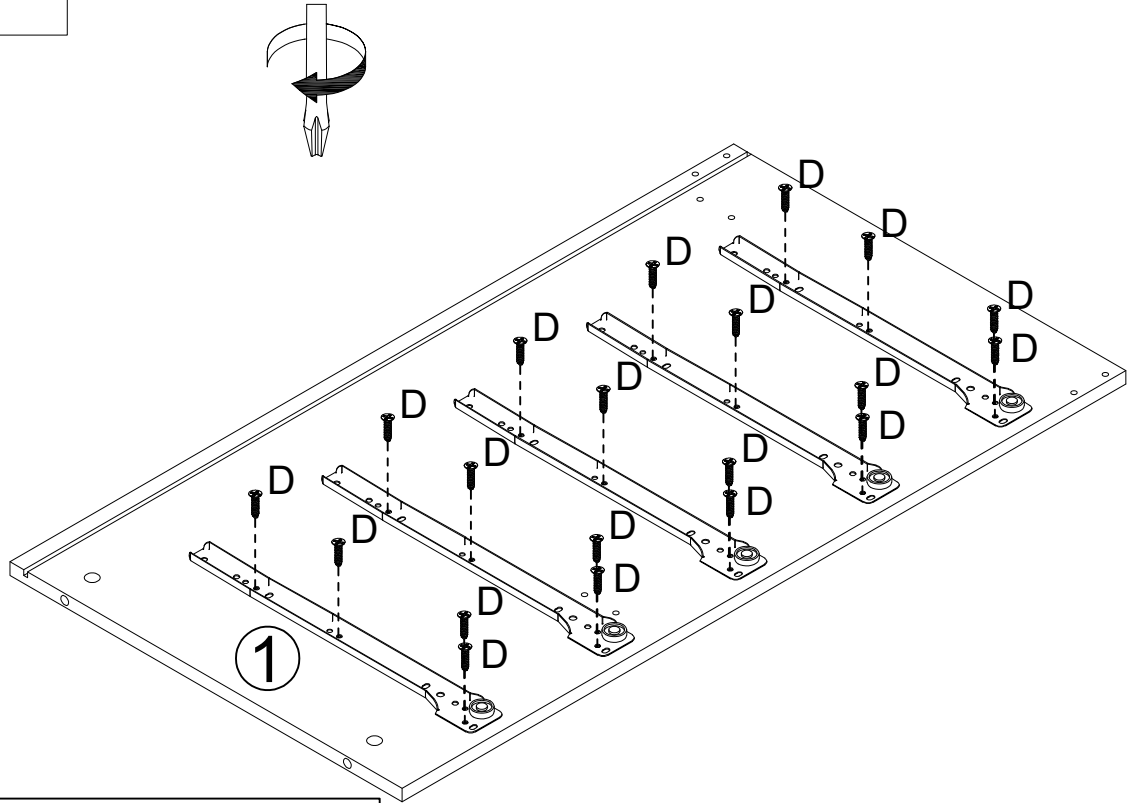


Iron Rod A is prohibited from using an electric drill.

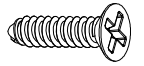


Ax14

### STEP3

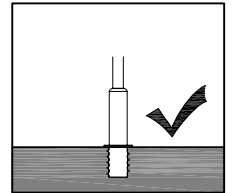
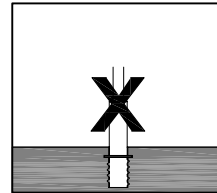
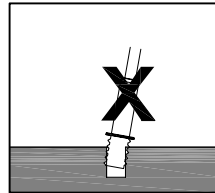
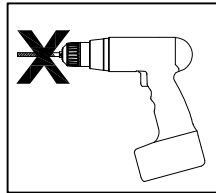


E-CLx5

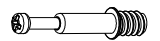
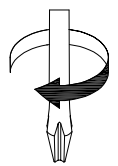
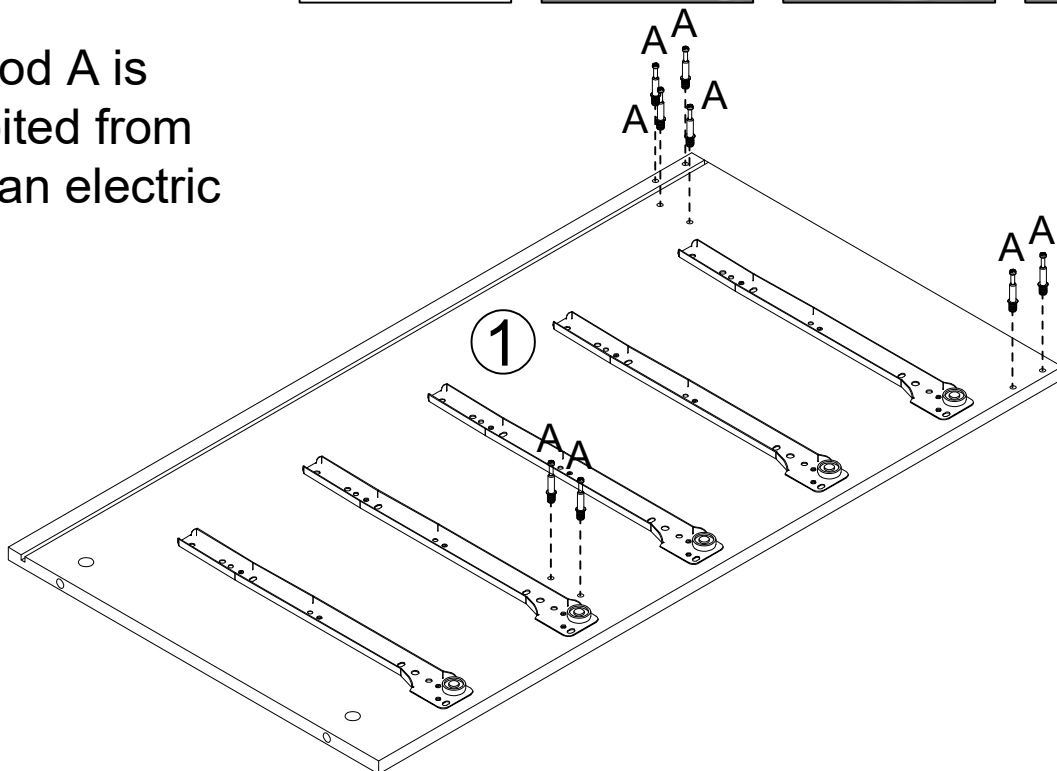


Dx20

### STEP4

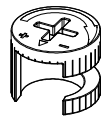
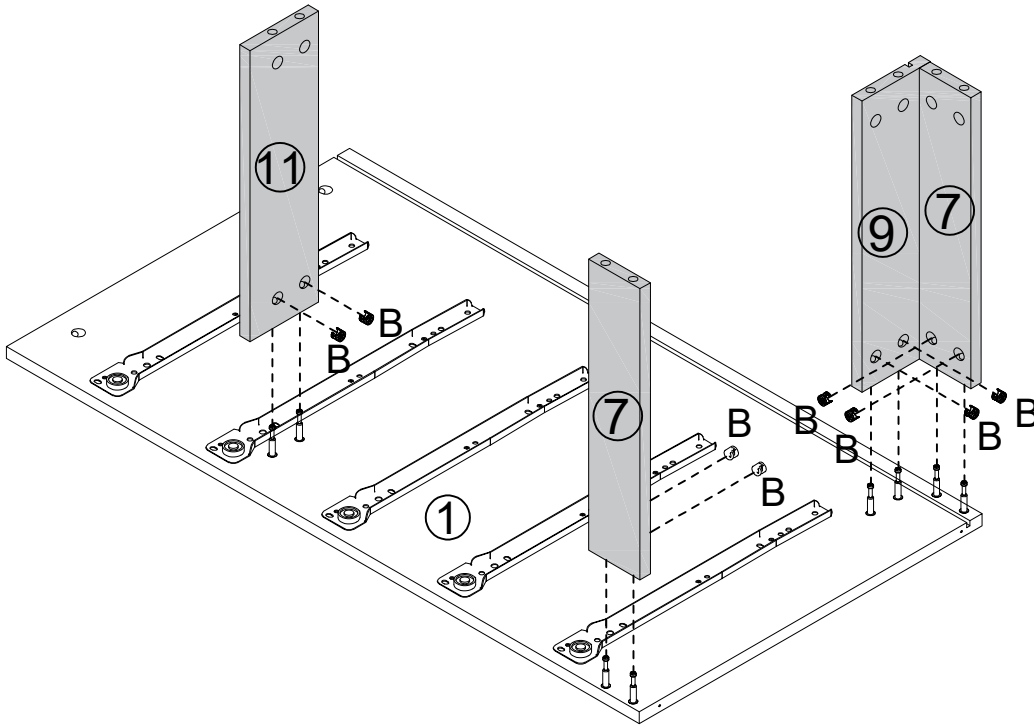
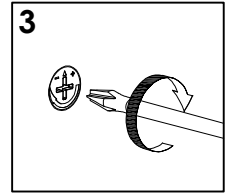
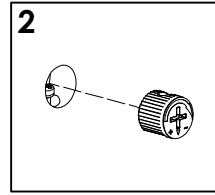
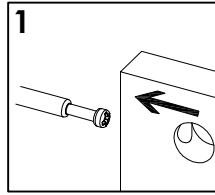
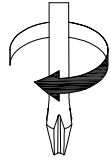


Iron Rod A is prohibited from using an electric drill.



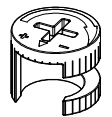
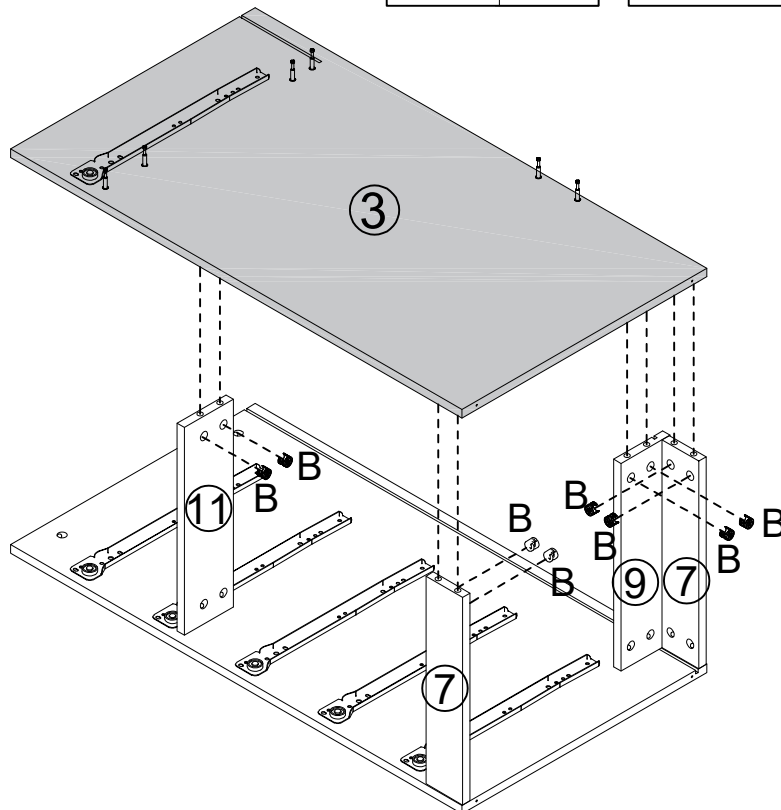
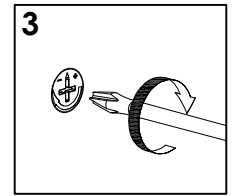
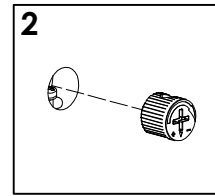
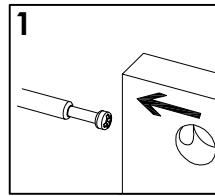
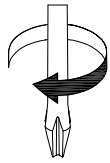
Ax8

# STEP5



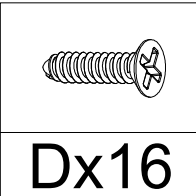
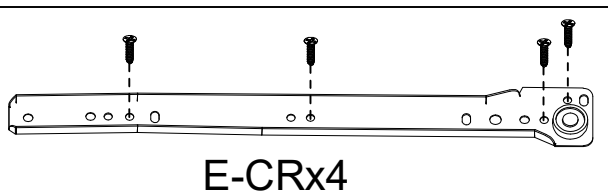
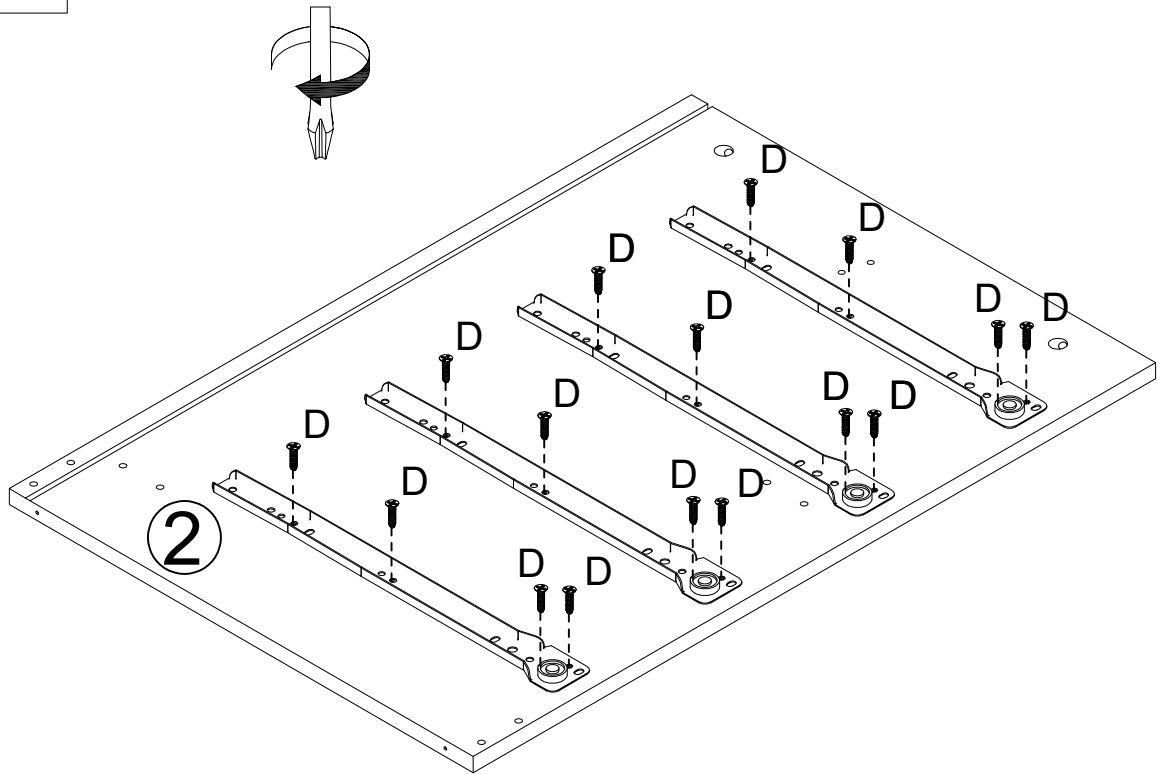
Bx8

# STEP6

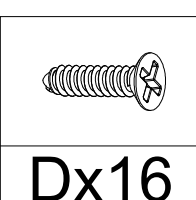
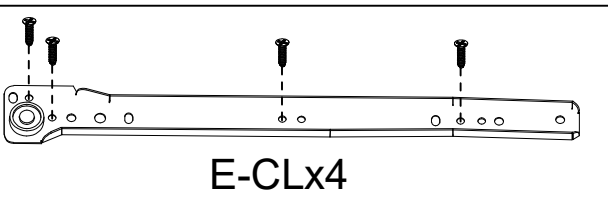
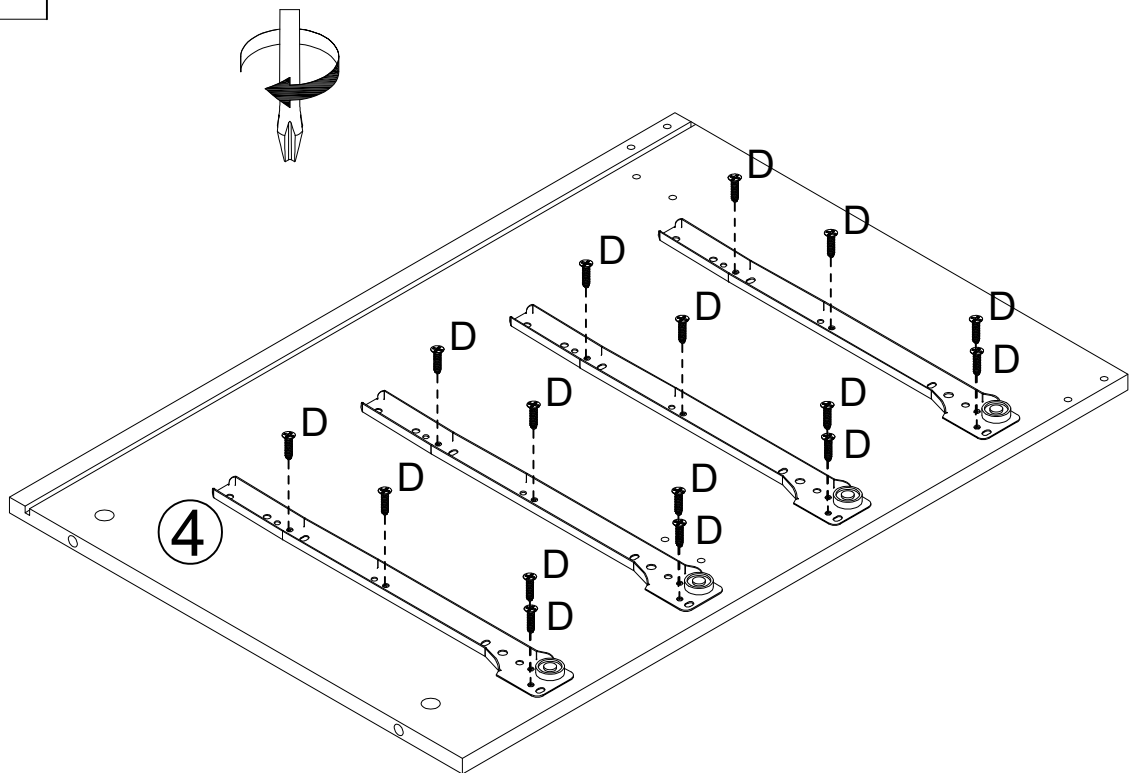


Bx8

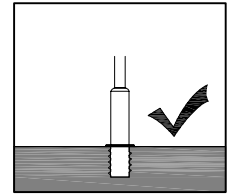
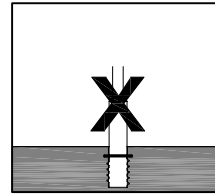
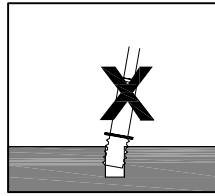
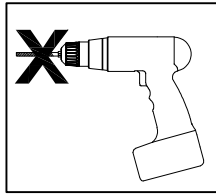
# STEP7



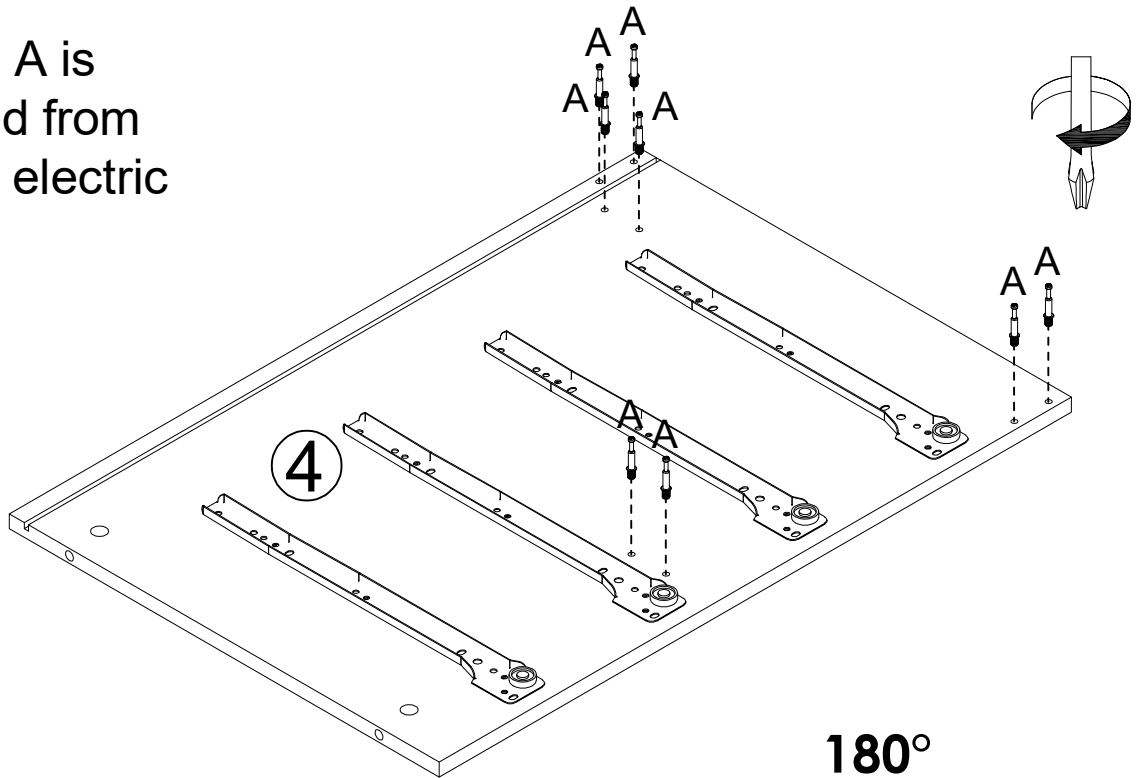
# STEP8



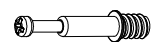
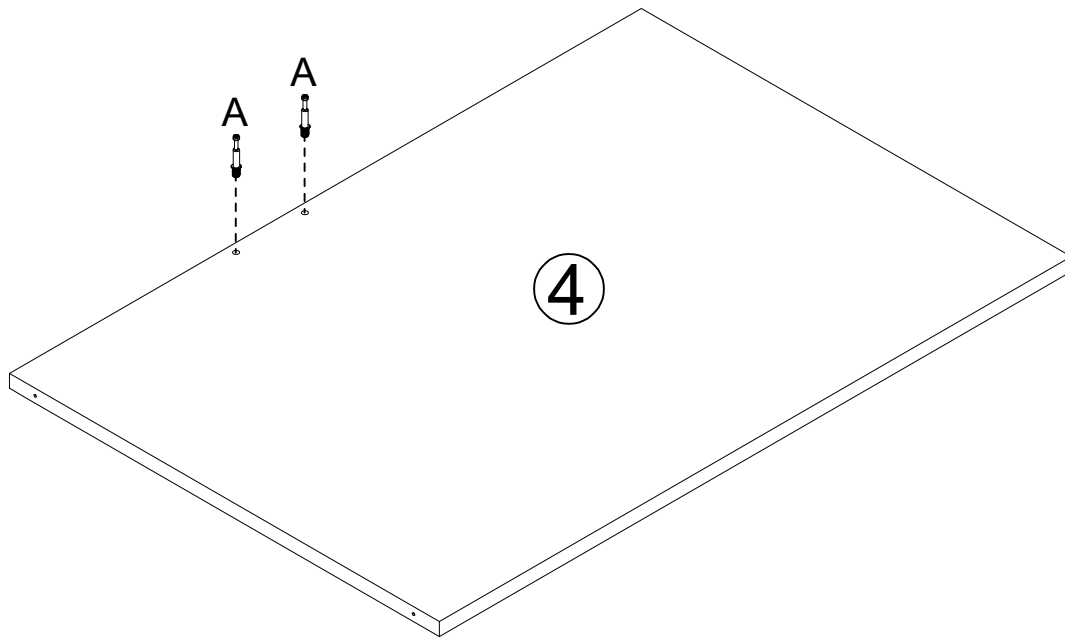
# STEP9



Iron Rod A is prohibited from using an electric drill.

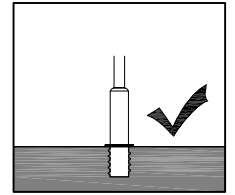
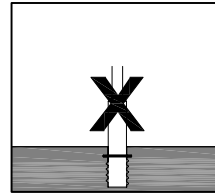
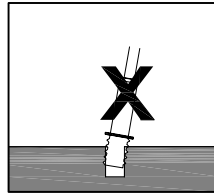
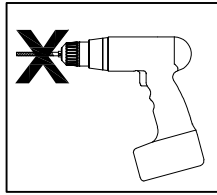


180°

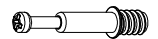
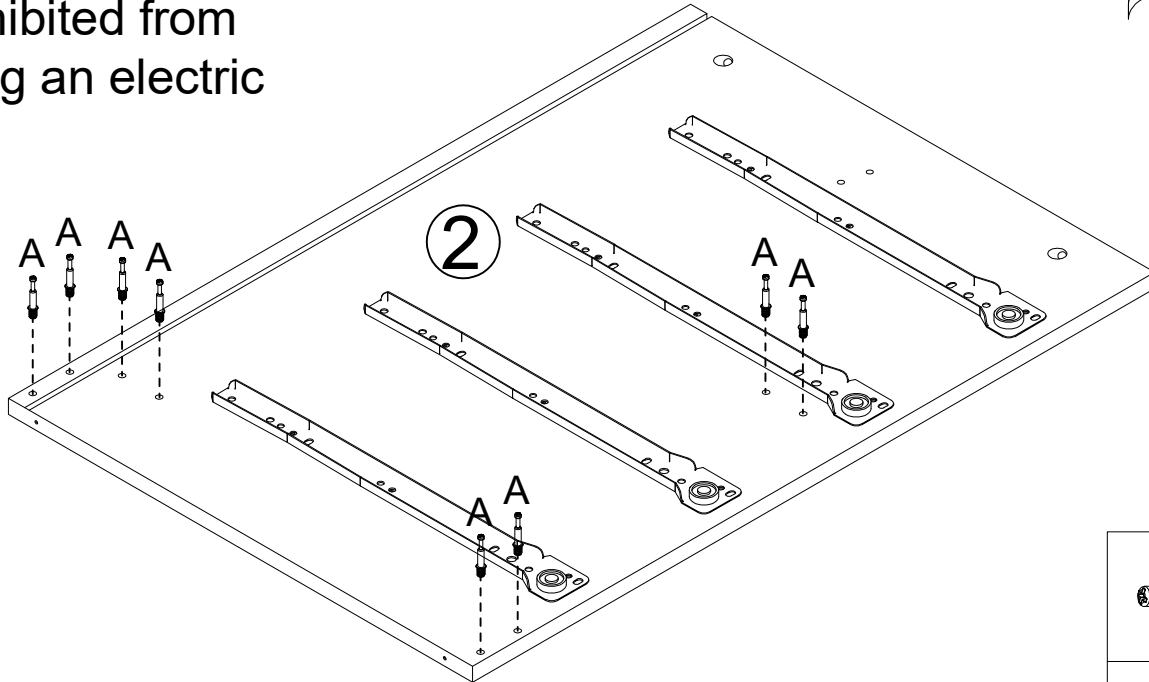
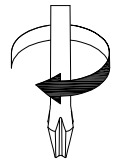


Ax10

# STEP 10

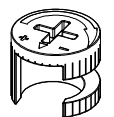
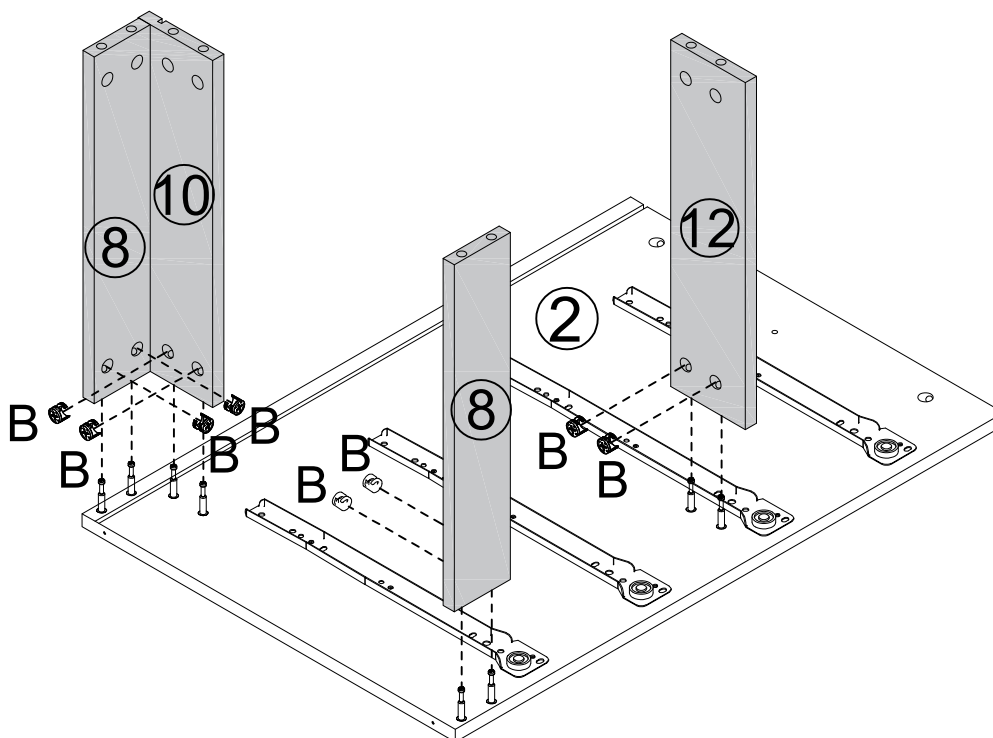
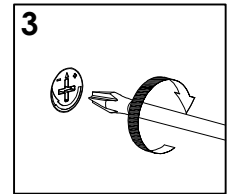
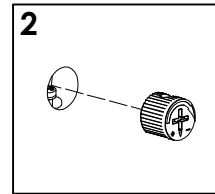
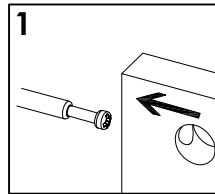
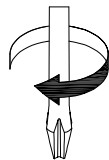


Iron Rod A is prohibited from using an electric drill.



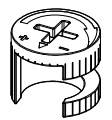
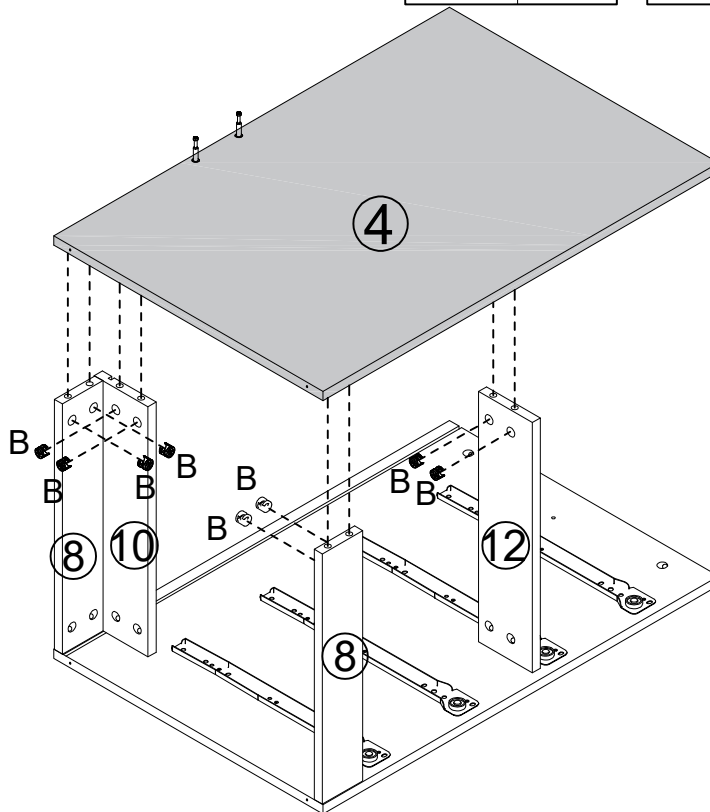
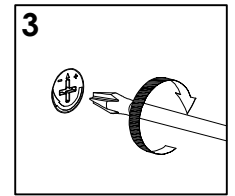
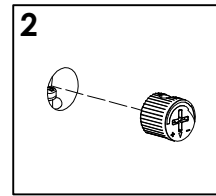
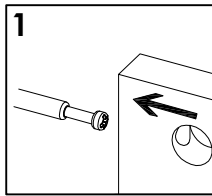
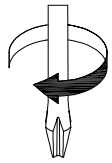
Ax8

# STEP 11



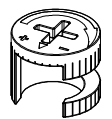
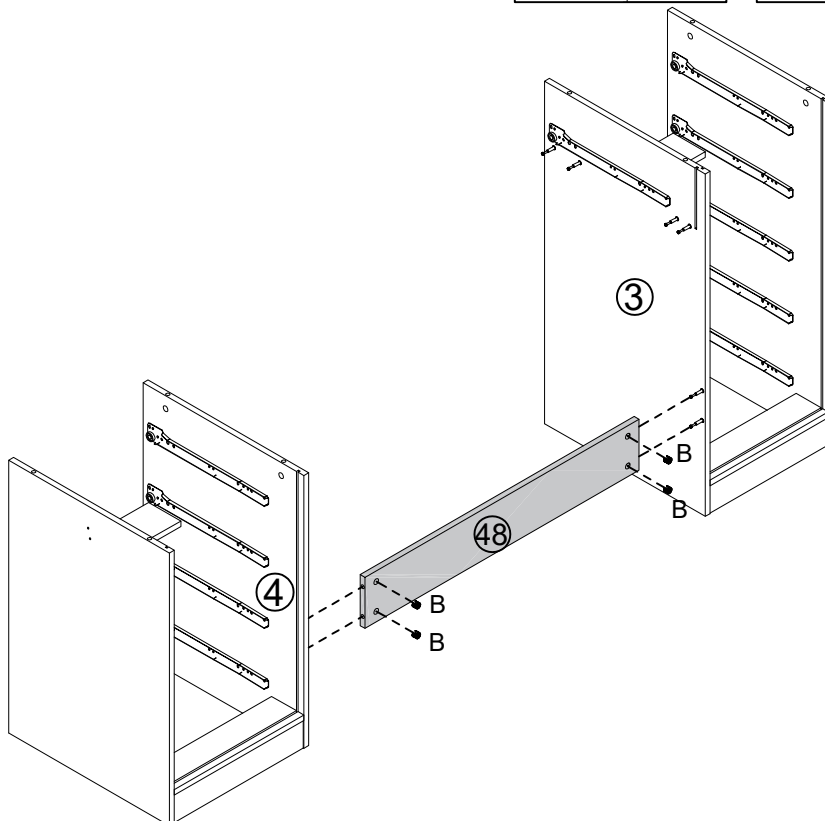
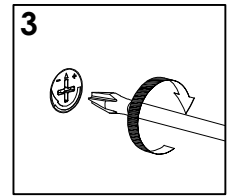
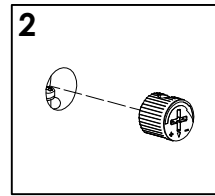
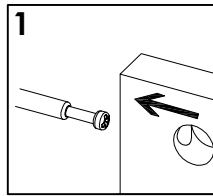
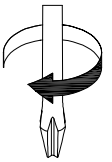
Bx8

# STEP12



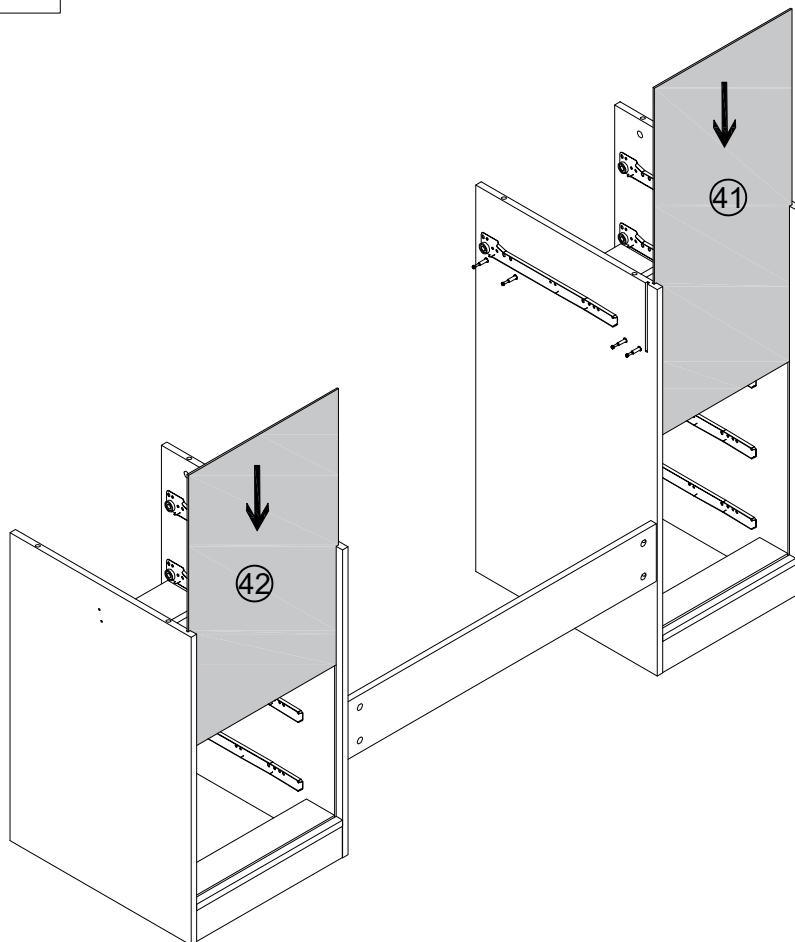
Bx8

# STEP13

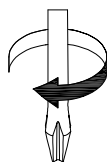


Bx4

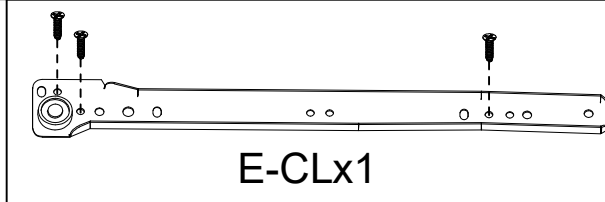
# STEP14



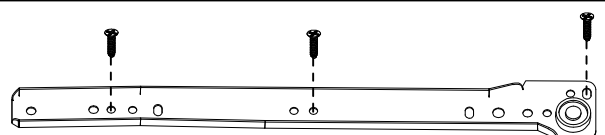
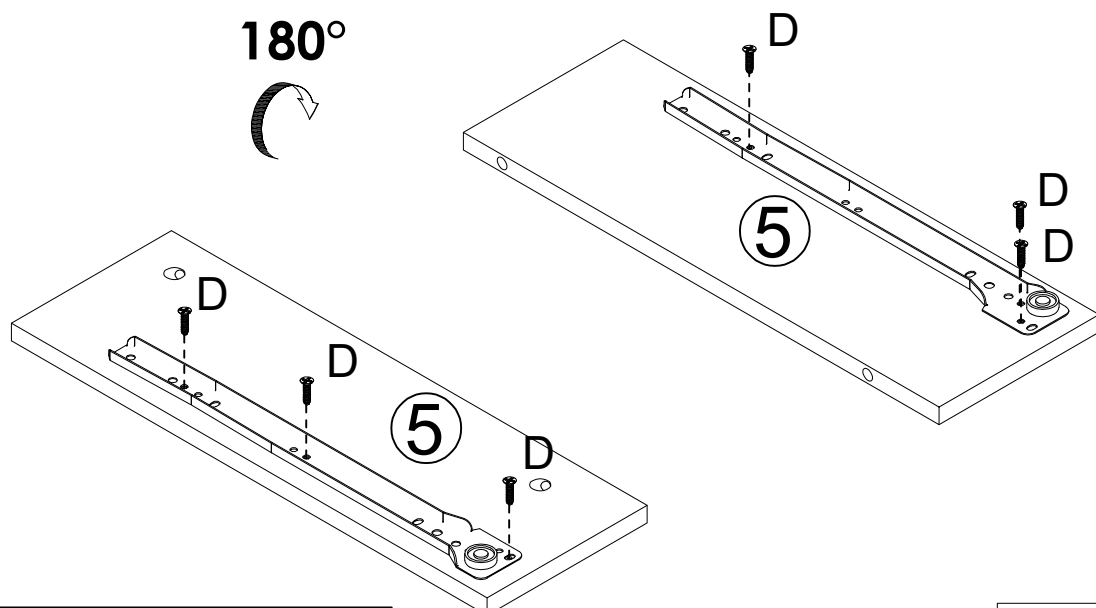
# STEP15



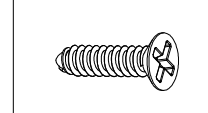
180°



E-CLx1

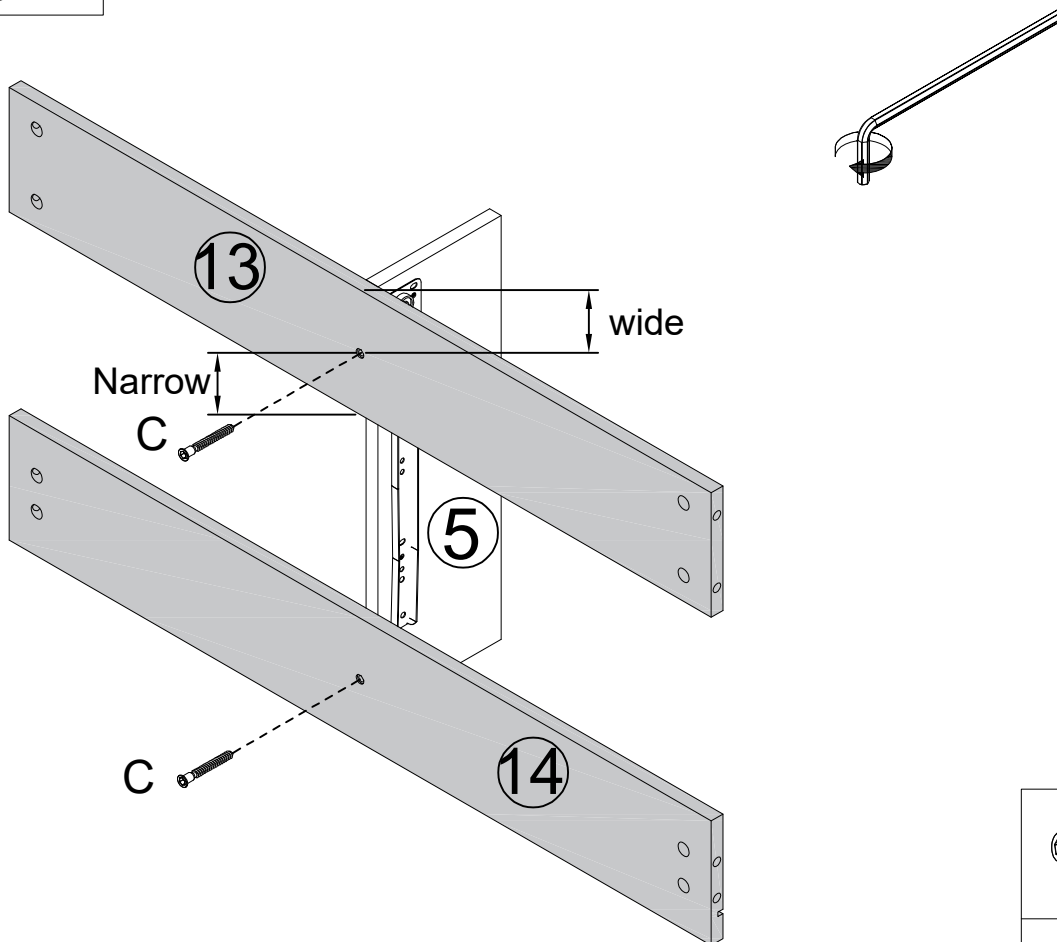


E-CRx1



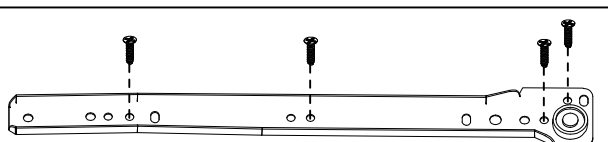
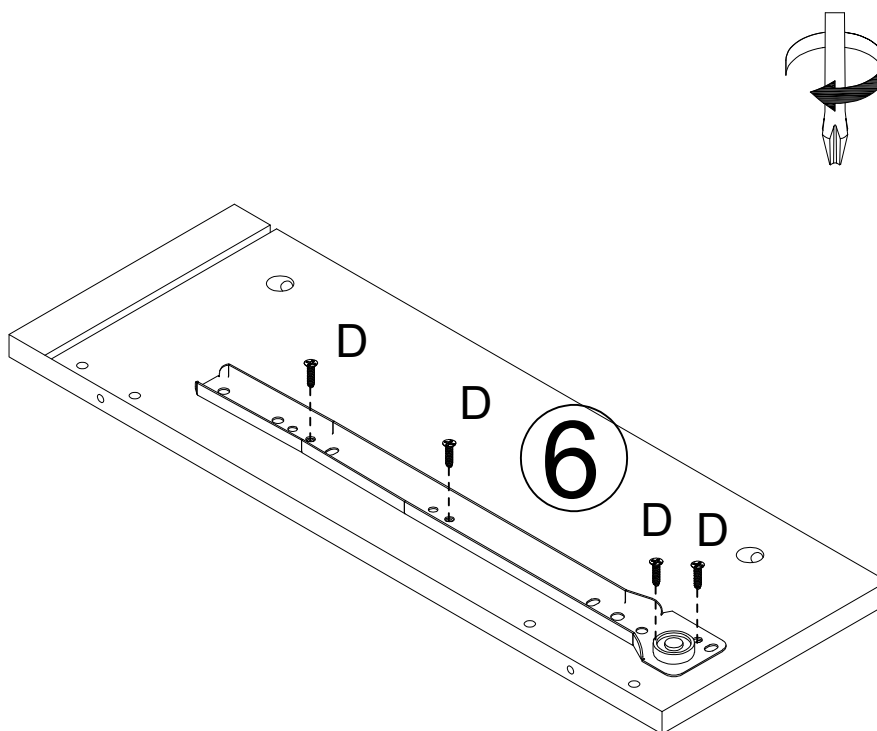
Dx6

# STEP16



Cx2

# STEP17

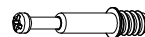
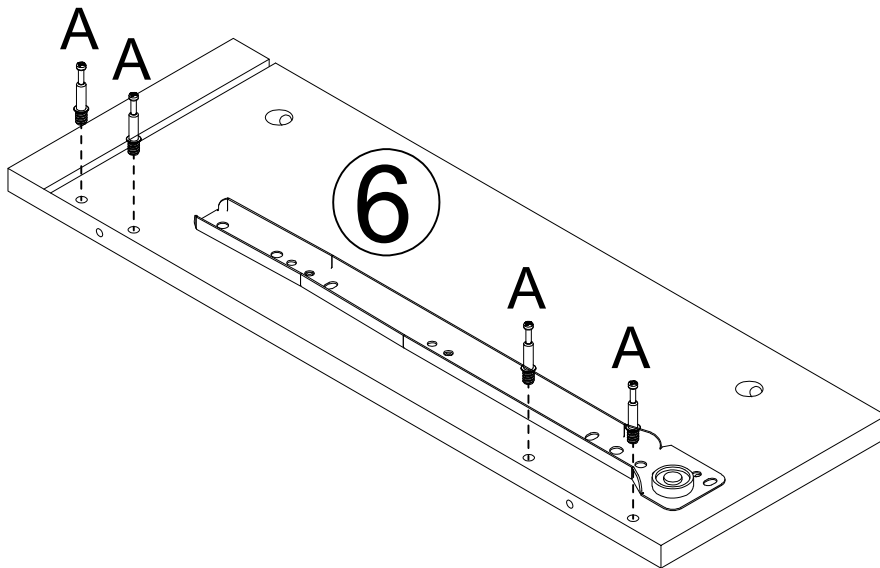
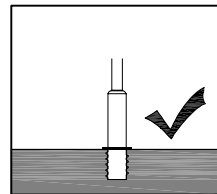
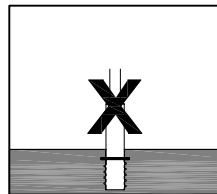
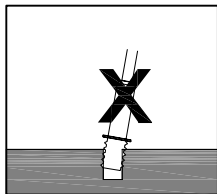
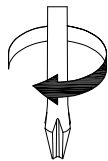


E-CRx1



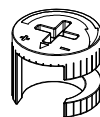
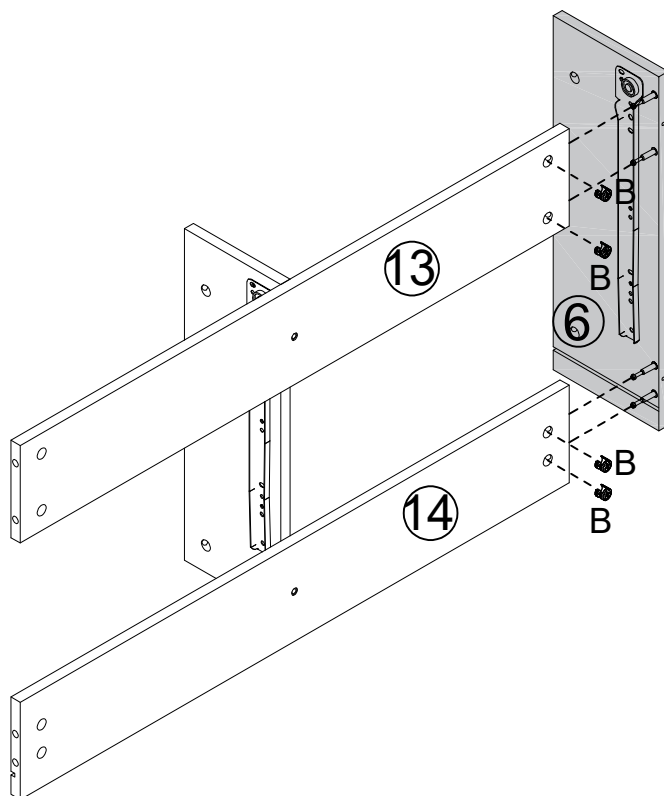
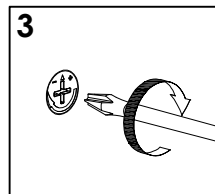
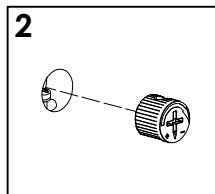
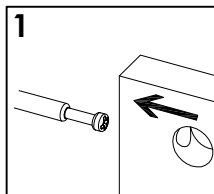
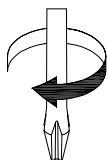
Dx4

# STEP 18



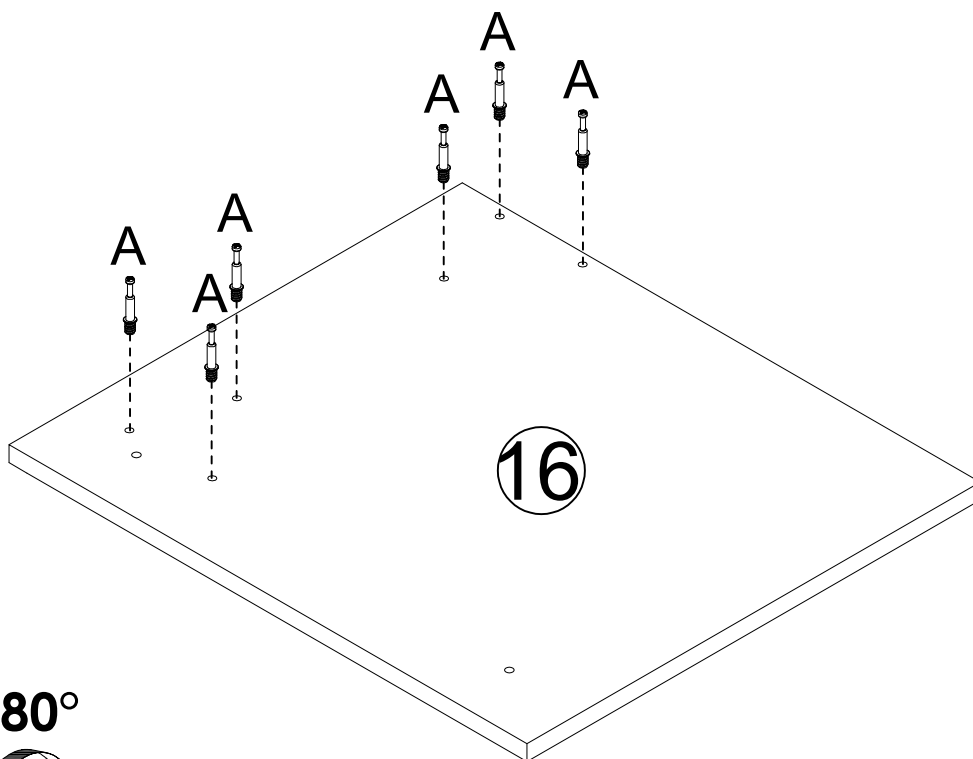
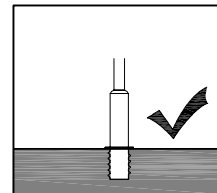
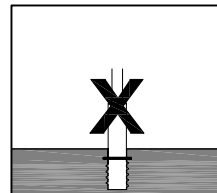
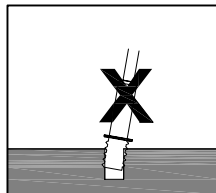
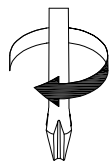
Ax4

# STEP 19

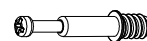
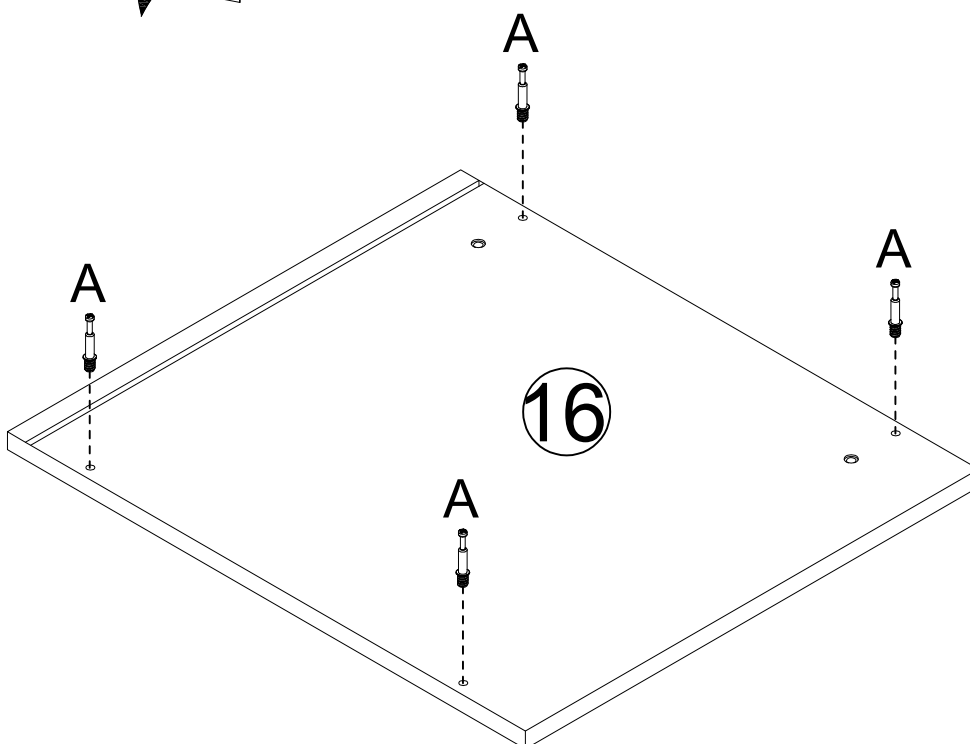


Bx4

STEP20

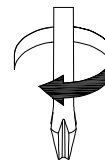
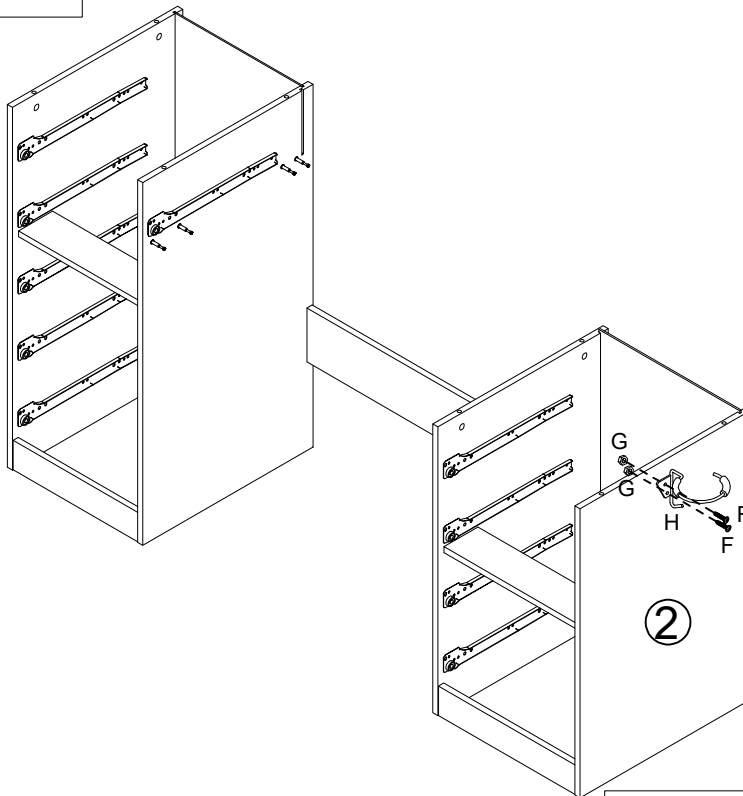


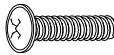


180°

A curved arrow indicating a 180-degree rotation.

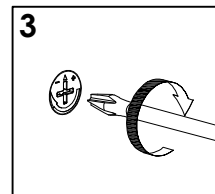
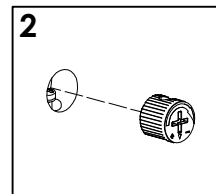
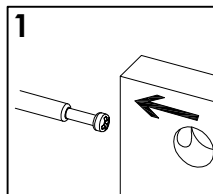
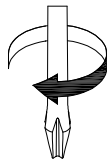
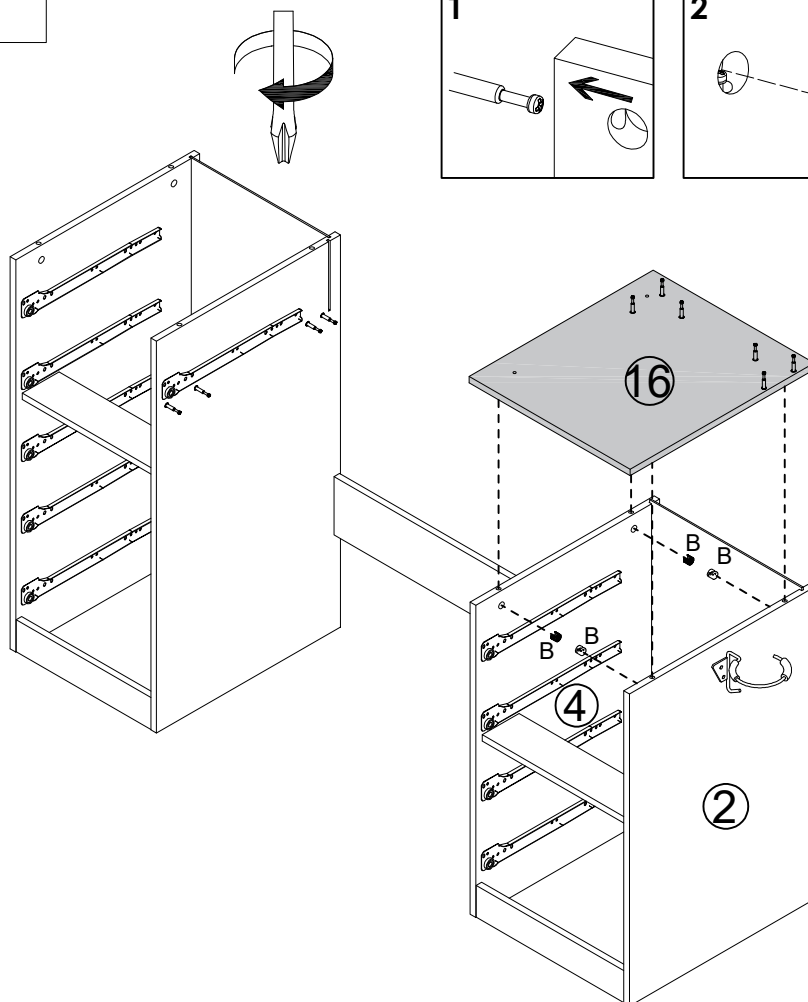
Ax10

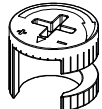
# STEP21



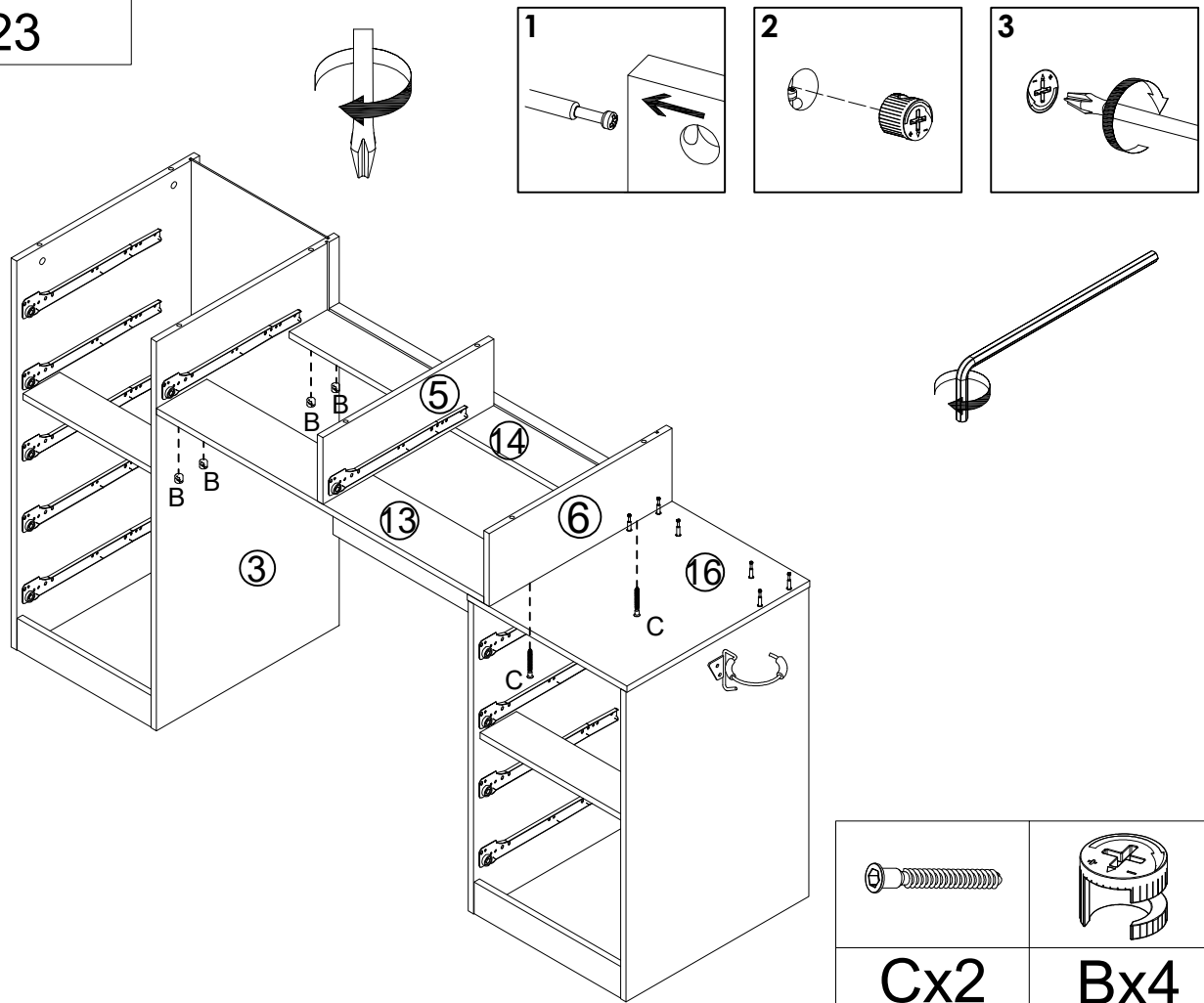
		
<b>Fx2</b>	<b>Gx2</b>	<b>Hx1</b>

# STEP22

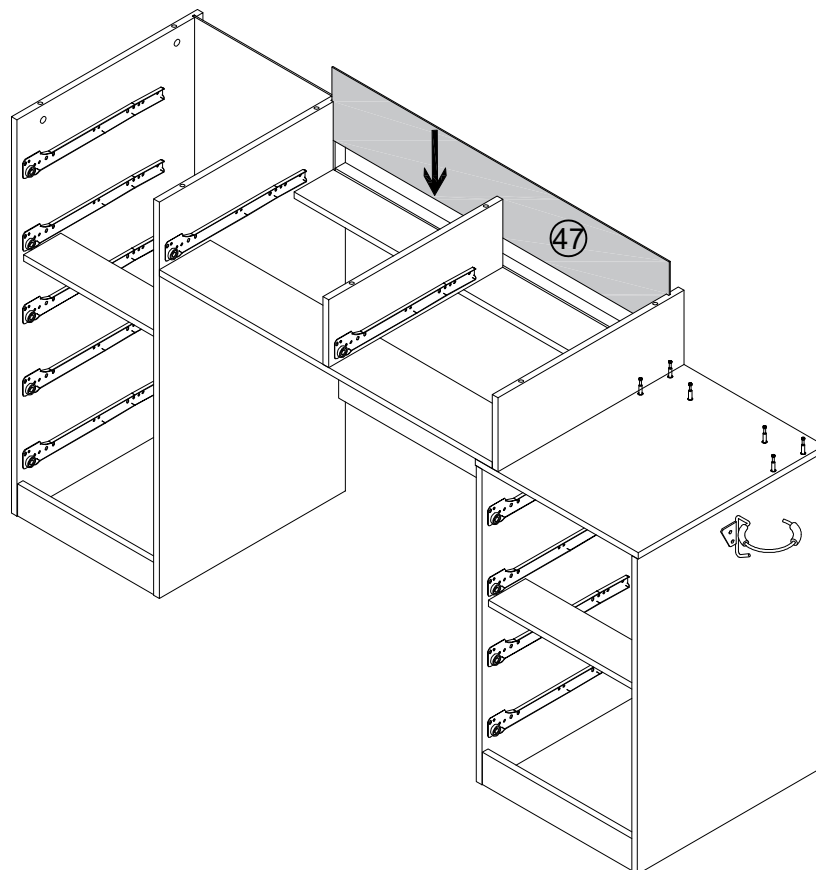



<b>Bx4</b>

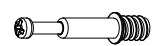
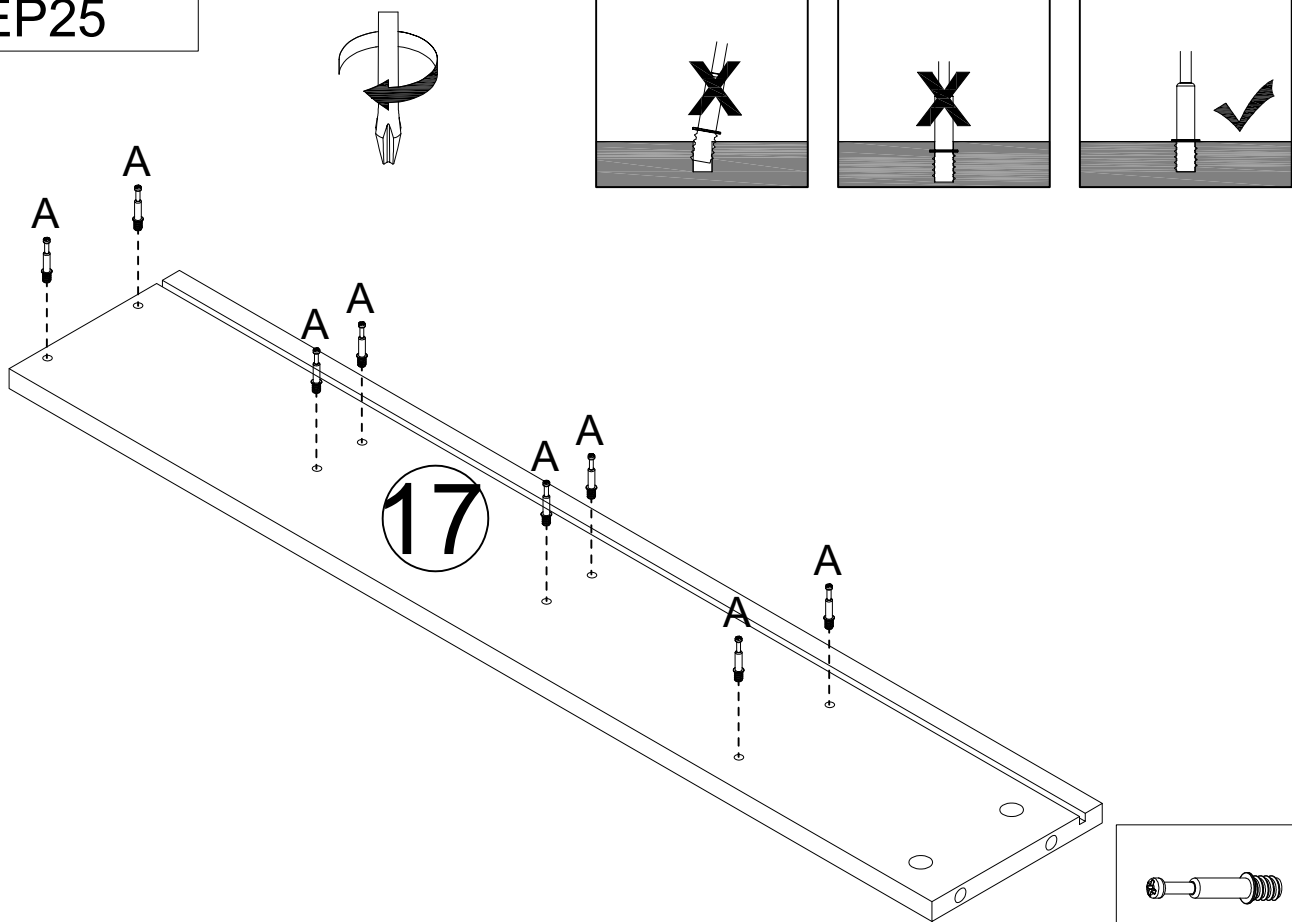
# STEP23



# STEP24

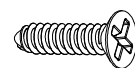
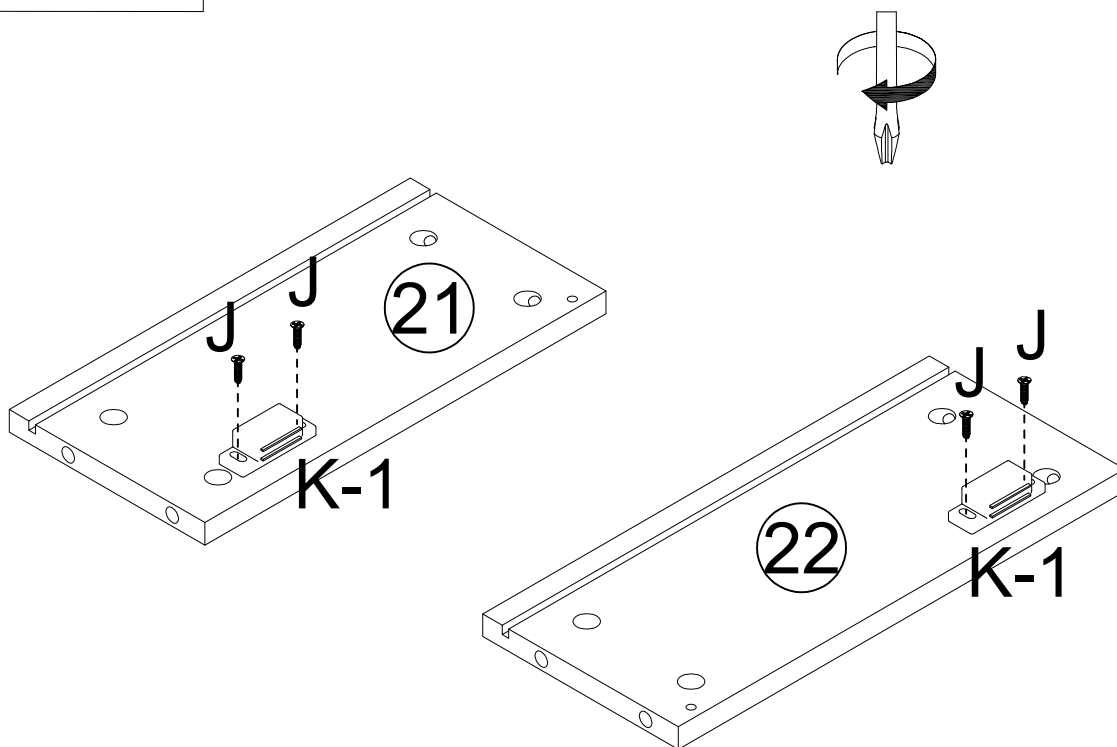


# STEP25

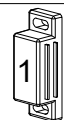


Ax8

# STEP26



Jx4

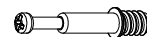
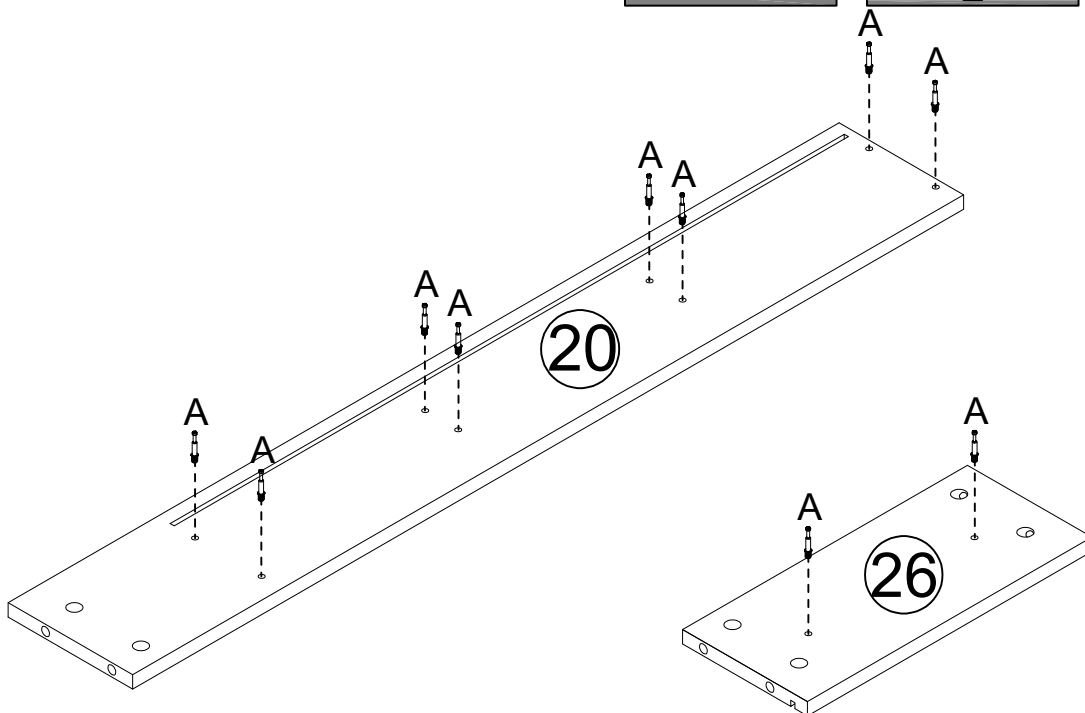
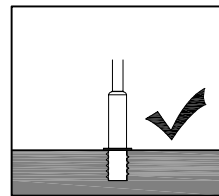
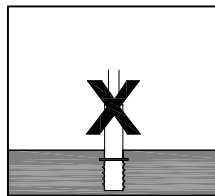
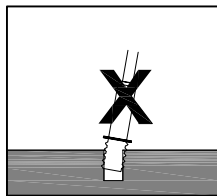
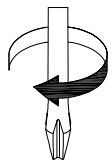


K-1x2



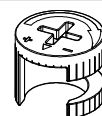
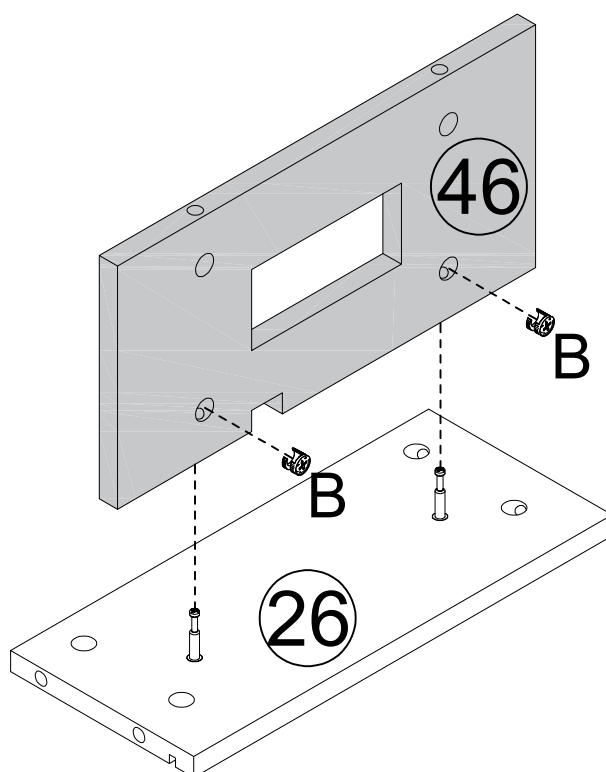
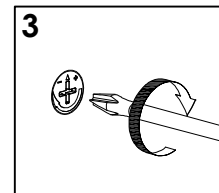
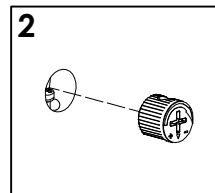
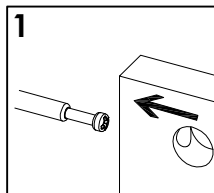
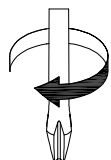


# STEP31



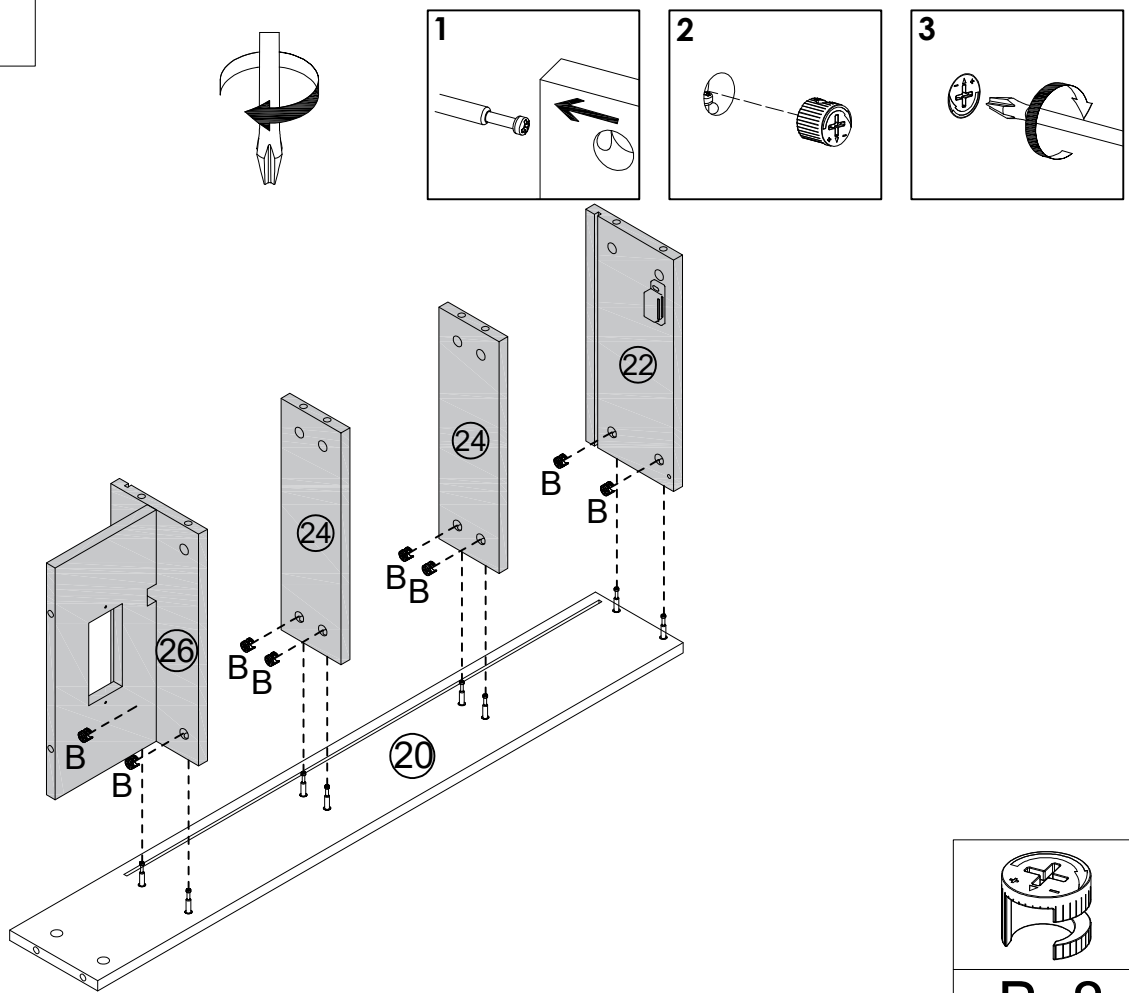
Ax10

# STEP32

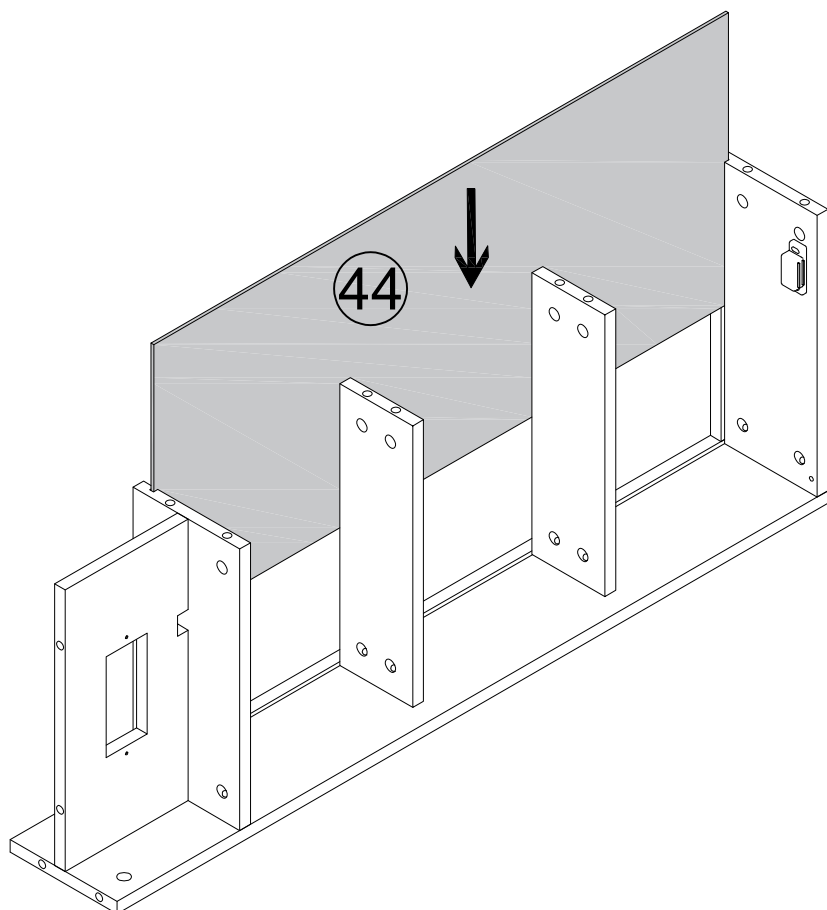


Bx2

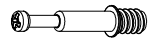
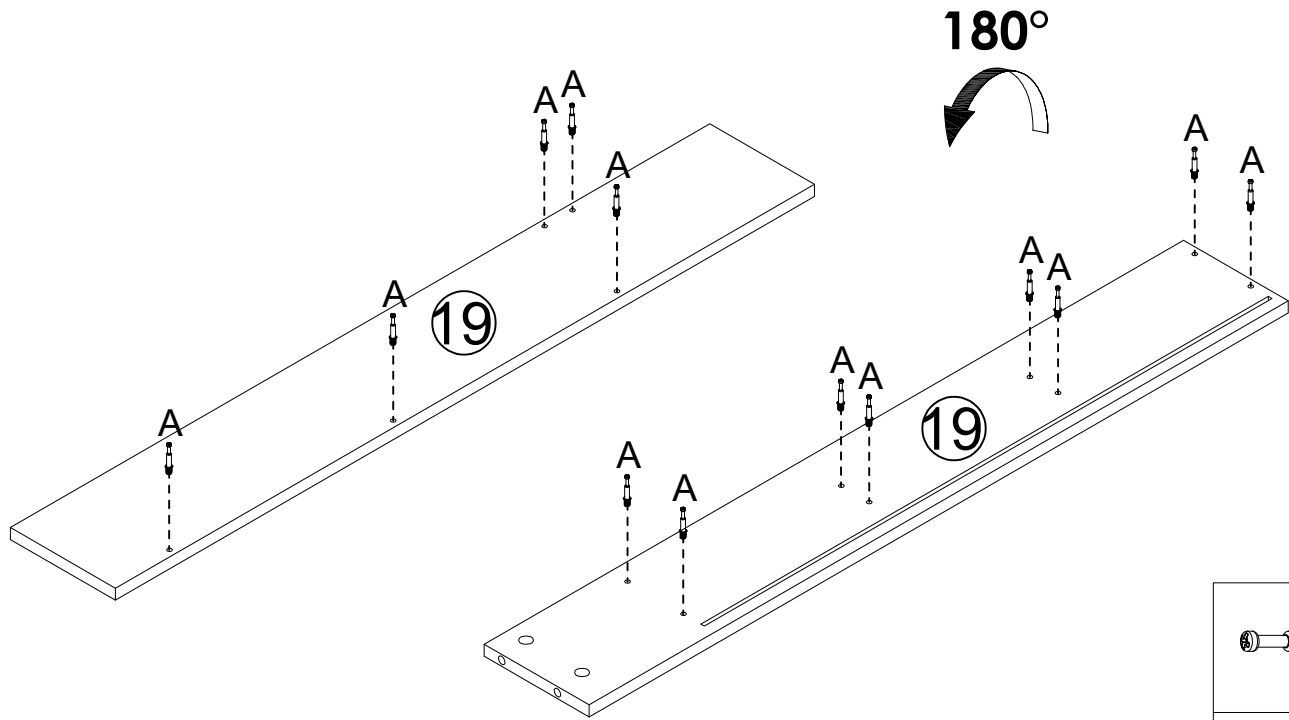
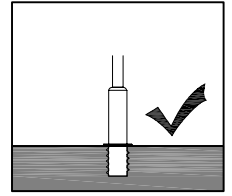
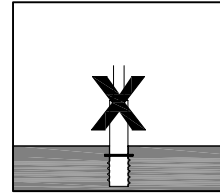
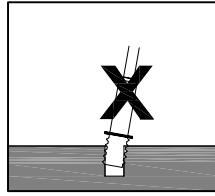
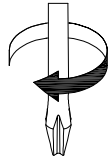
# STEP33



# STEP34

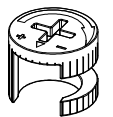
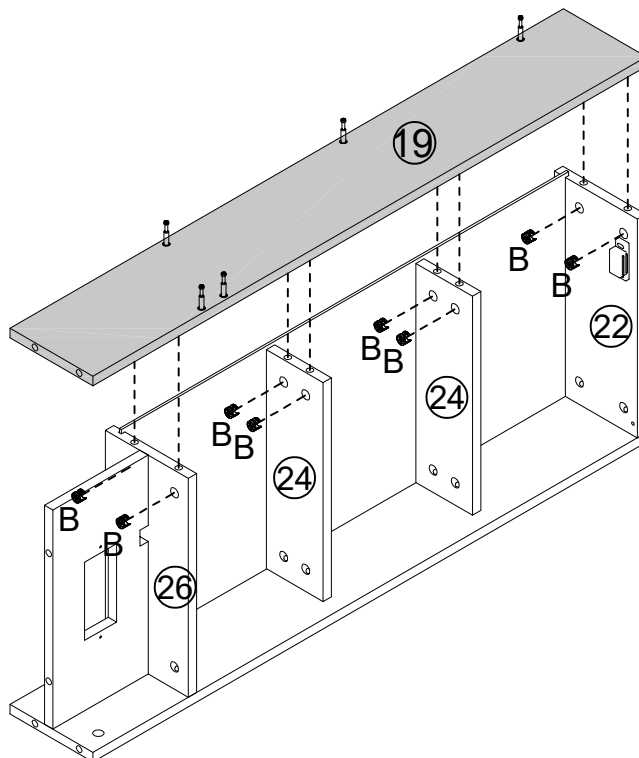
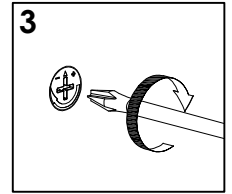
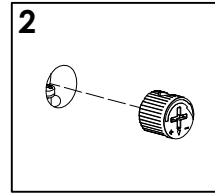
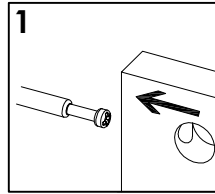
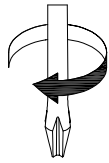


# STEP35



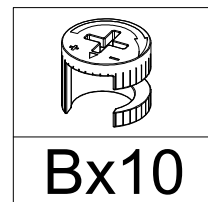
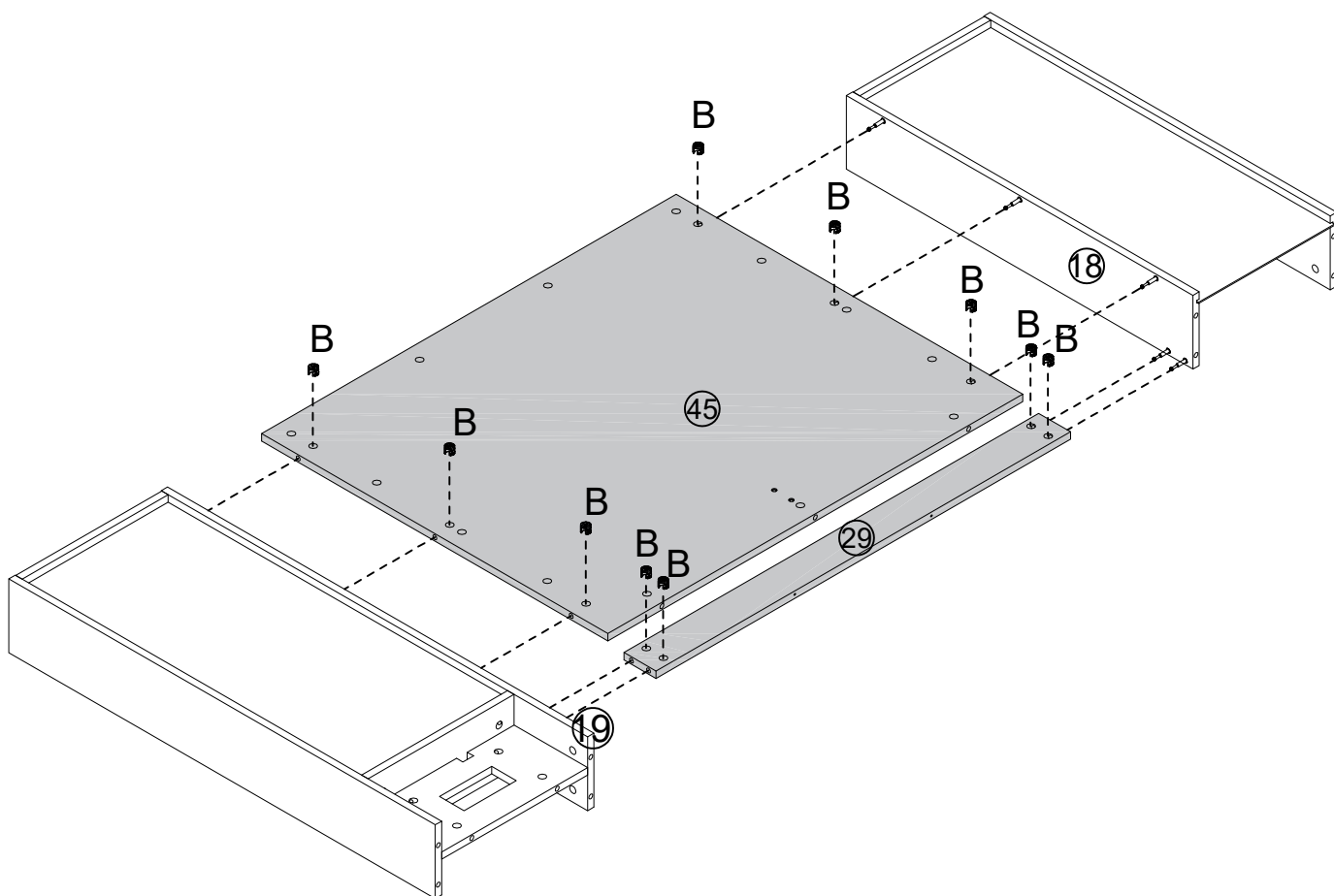
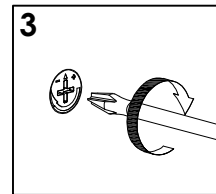
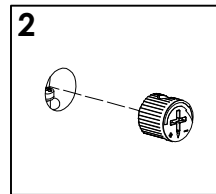
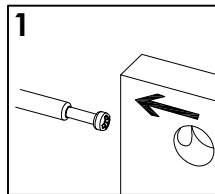
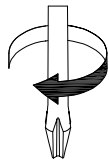
Ax13

# STEP36

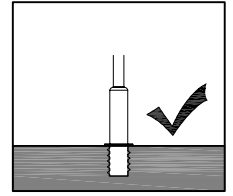
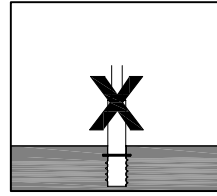
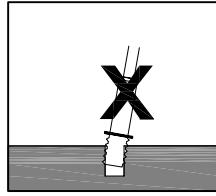
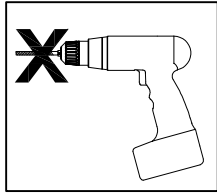


Bx8

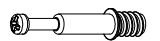
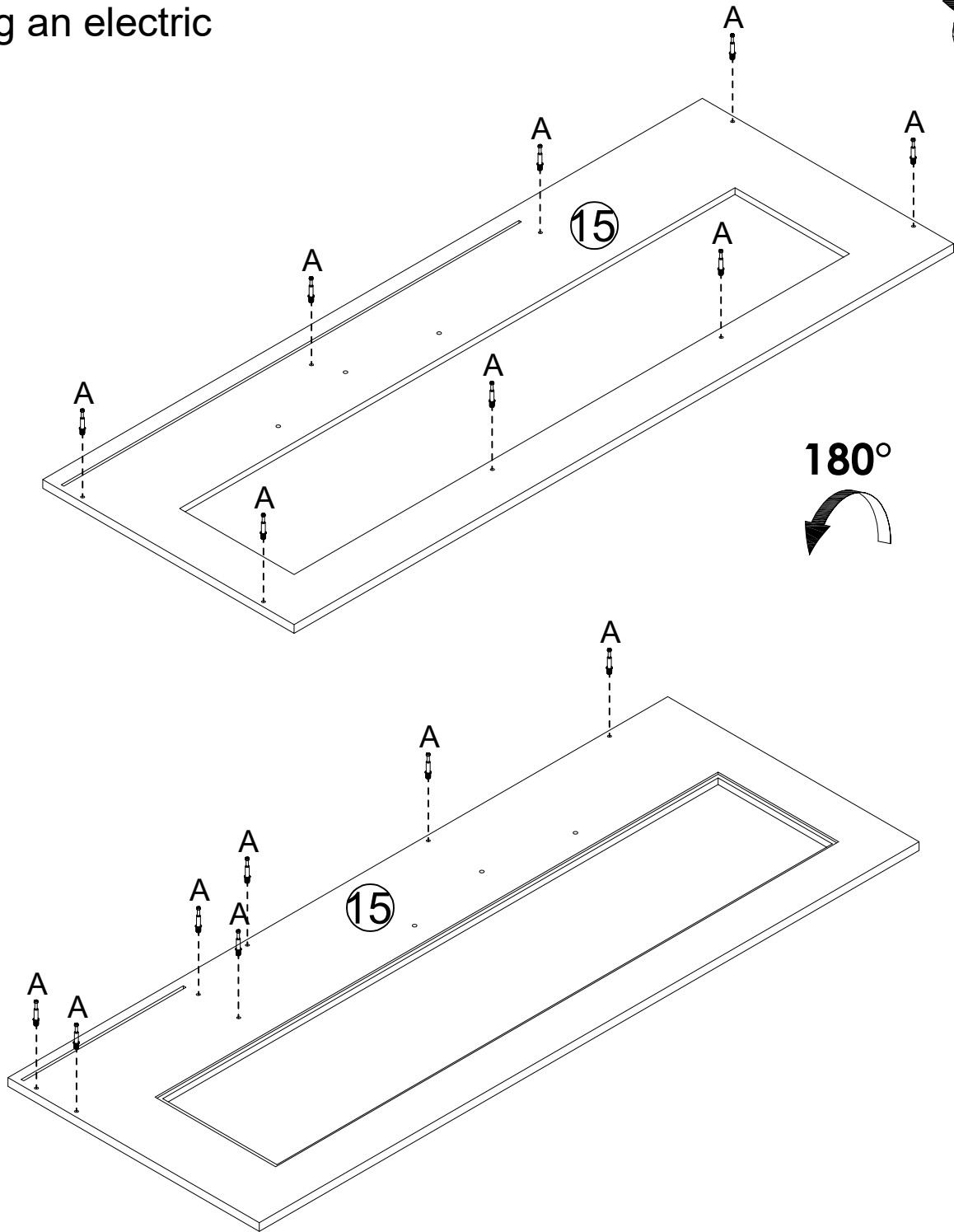
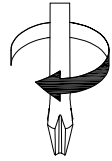
# STEP37



# STEP38

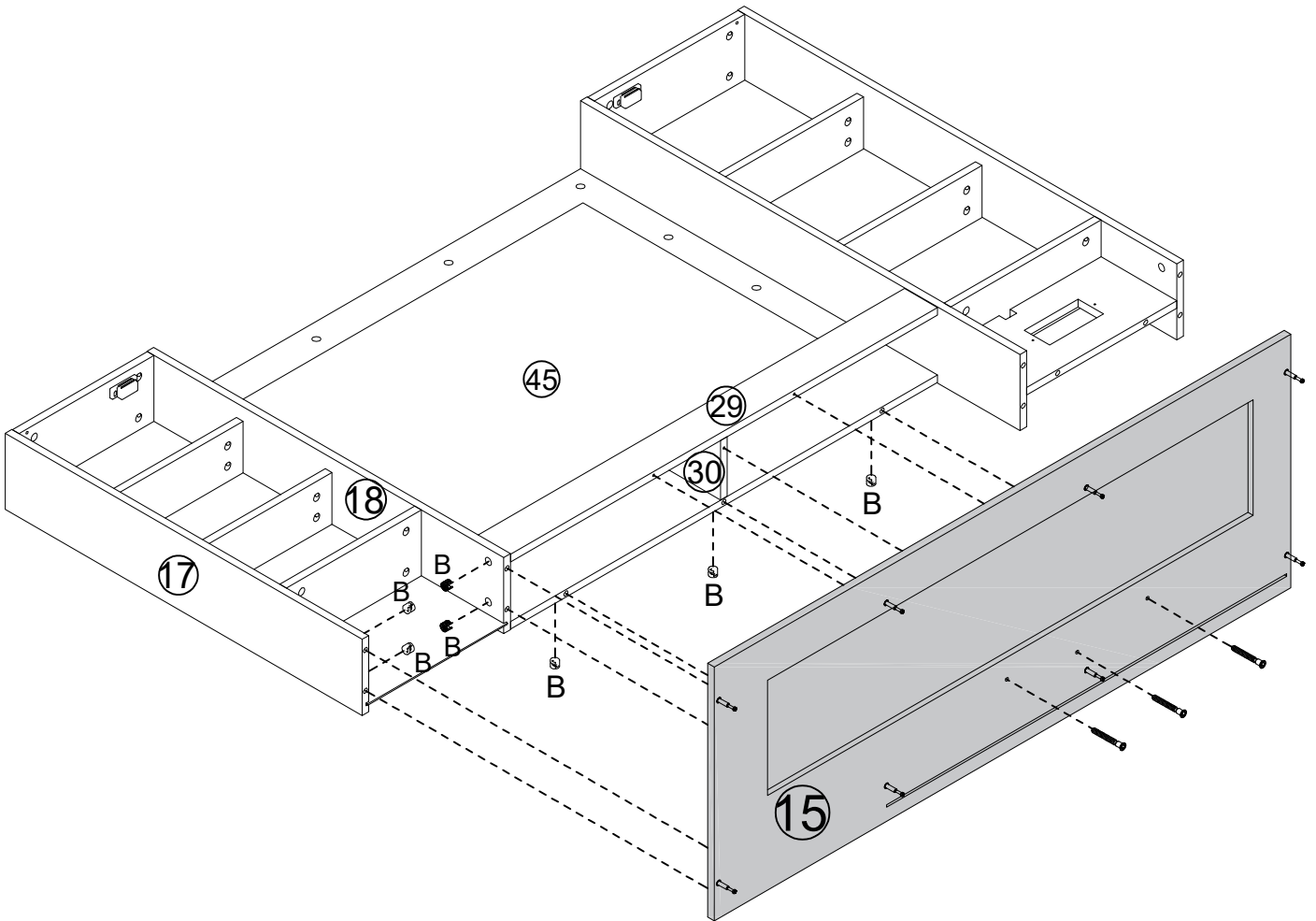
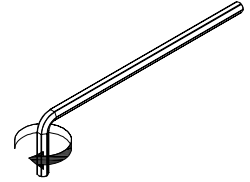
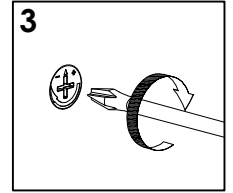
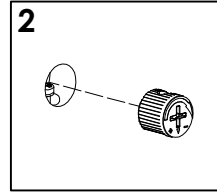
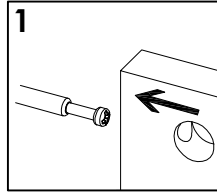
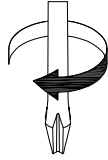


Iron Rod A is prohibited from using an electric drill.



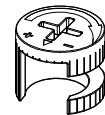
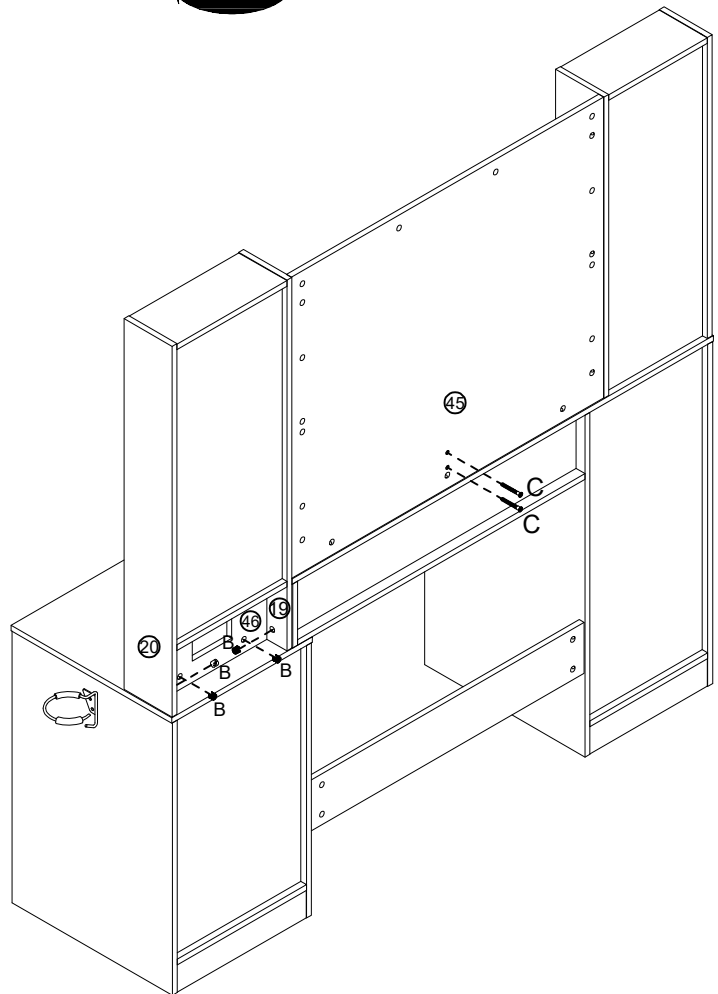
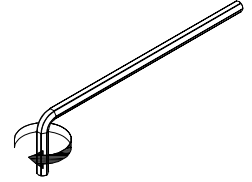
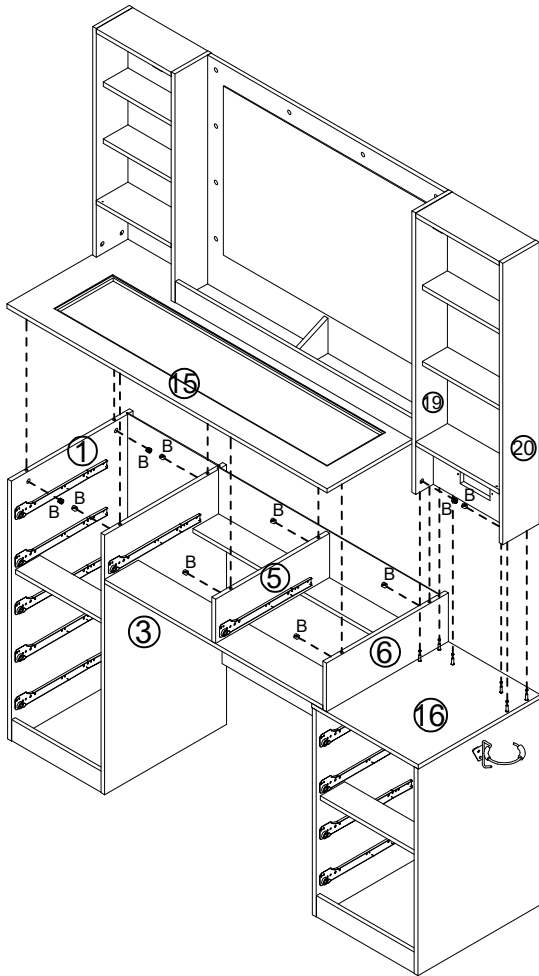
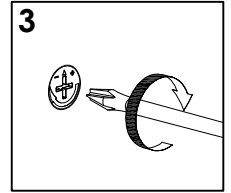
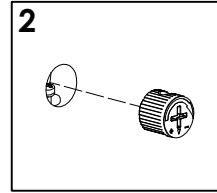
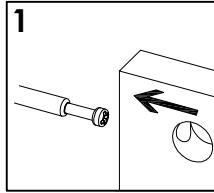
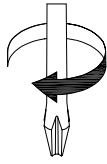
Ax15

# STEP39



<b>Bx7</b>	<b>Cx3</b>

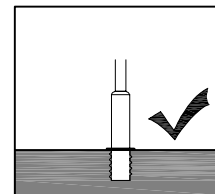
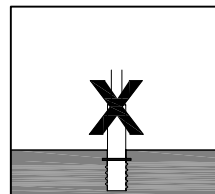
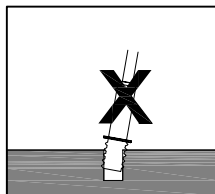
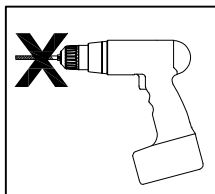
# STEP40



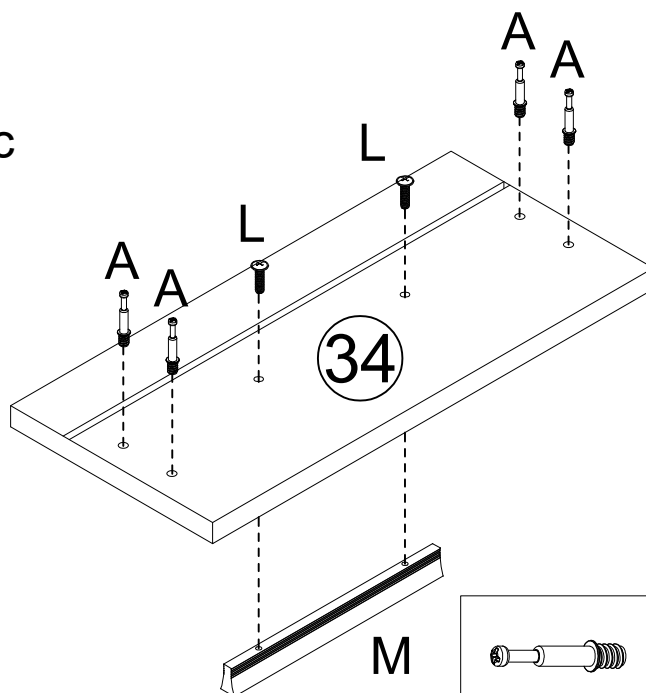
Bx14

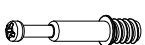
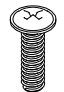

Cx2

# STEP41x5

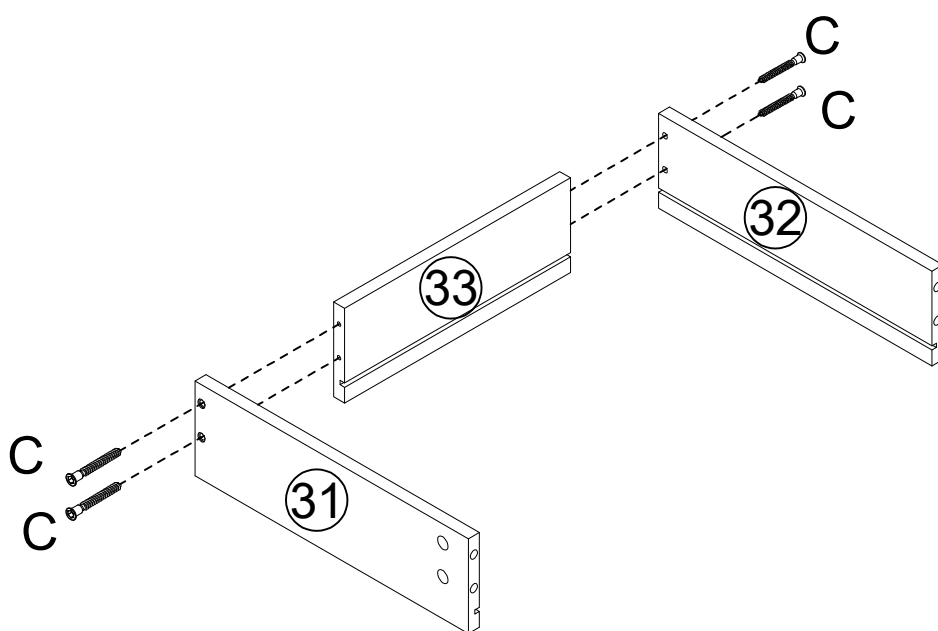



Iron Rod A is prohibited from using an electric drill.



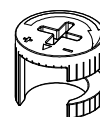
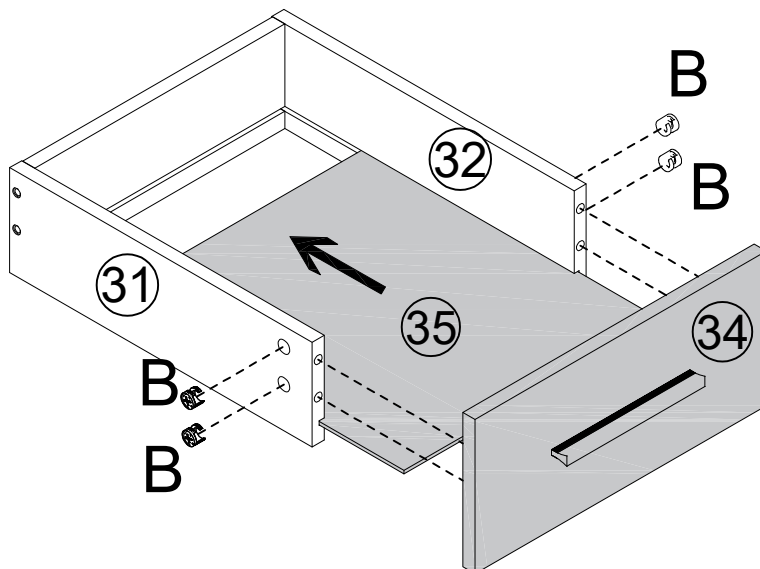
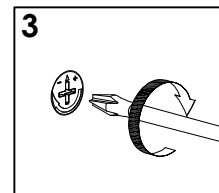
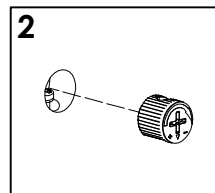
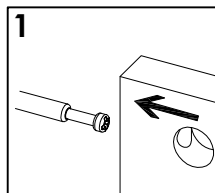
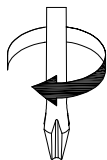
		
Ax20	Lx10	Mx5

# STEP42x5



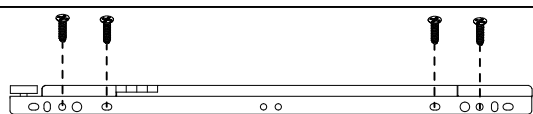
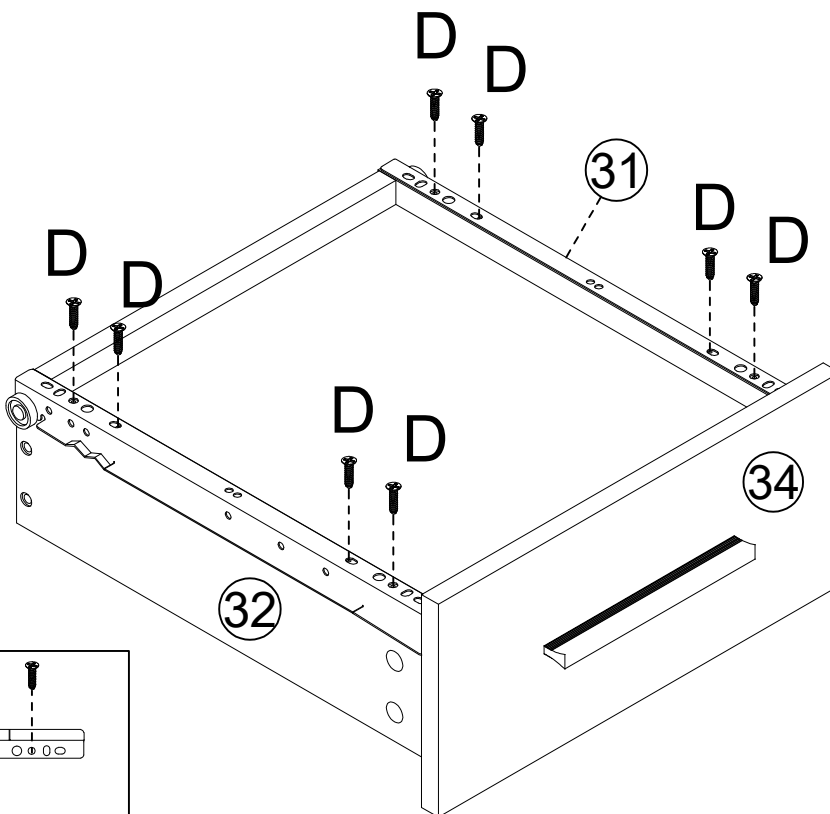
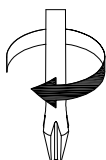

Cx20

# STEP43x5

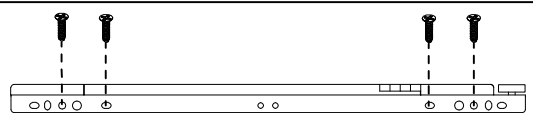


Bx20

# STEP44x5



E-DLx5

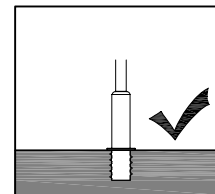
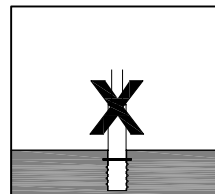
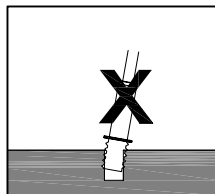
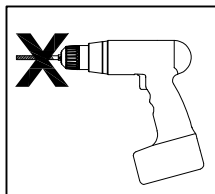


E-DRx5

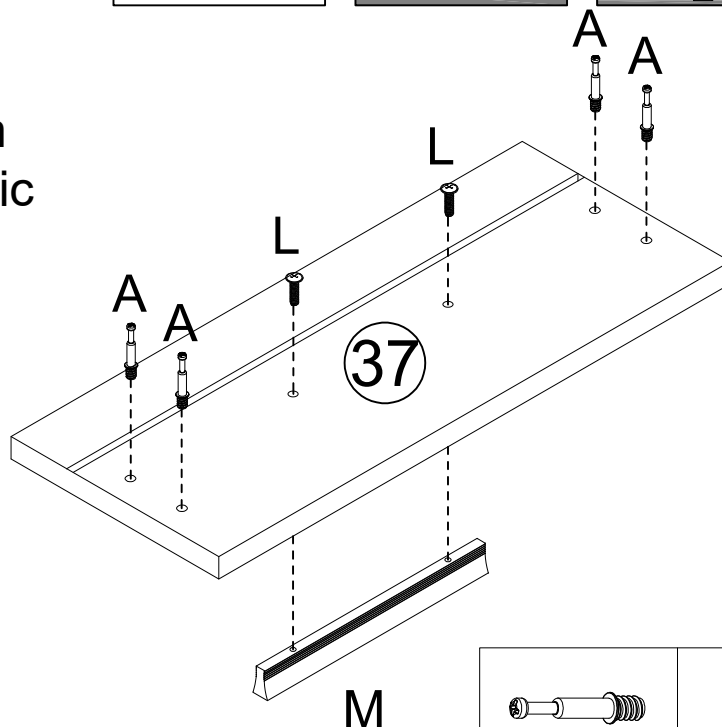


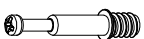


Dx40

# STEP45x4

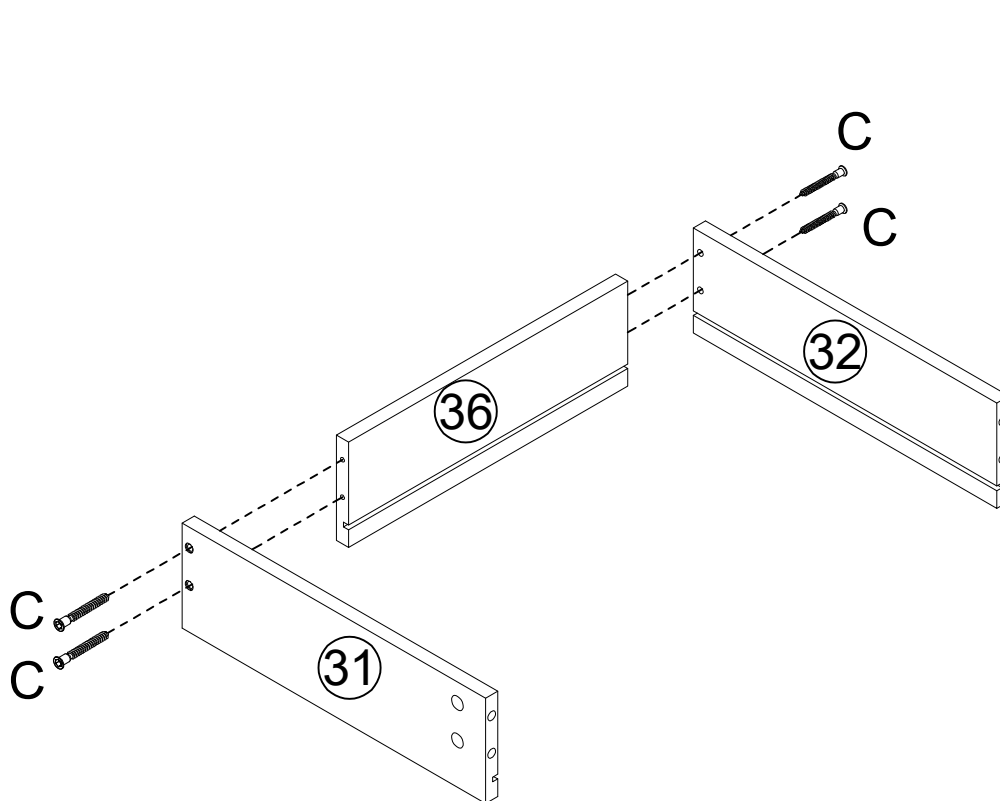



Iron Rod A is prohibited from using an electric drill.



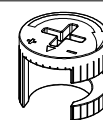
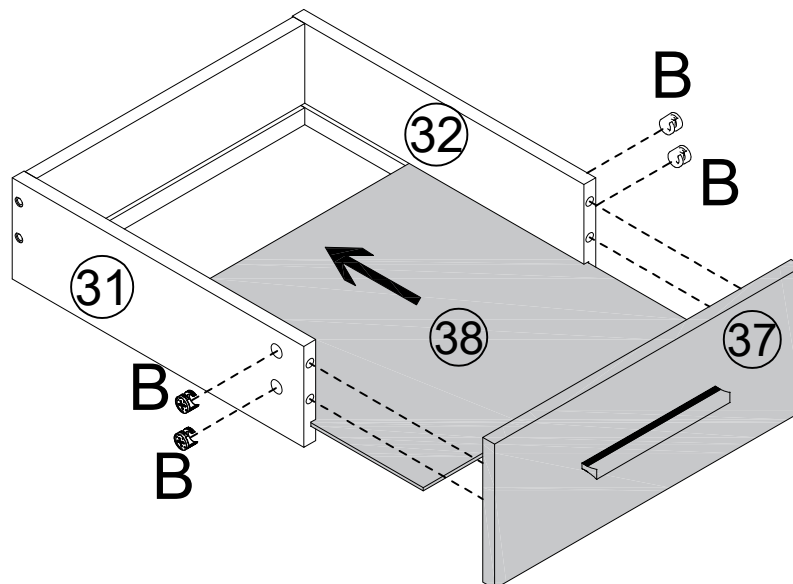
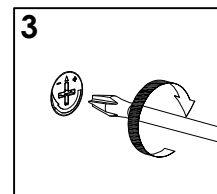
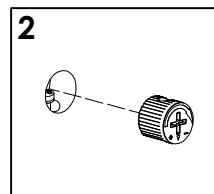
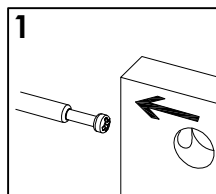
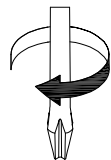
		
Ax16	Lx8	Mx4

# STEP46x4



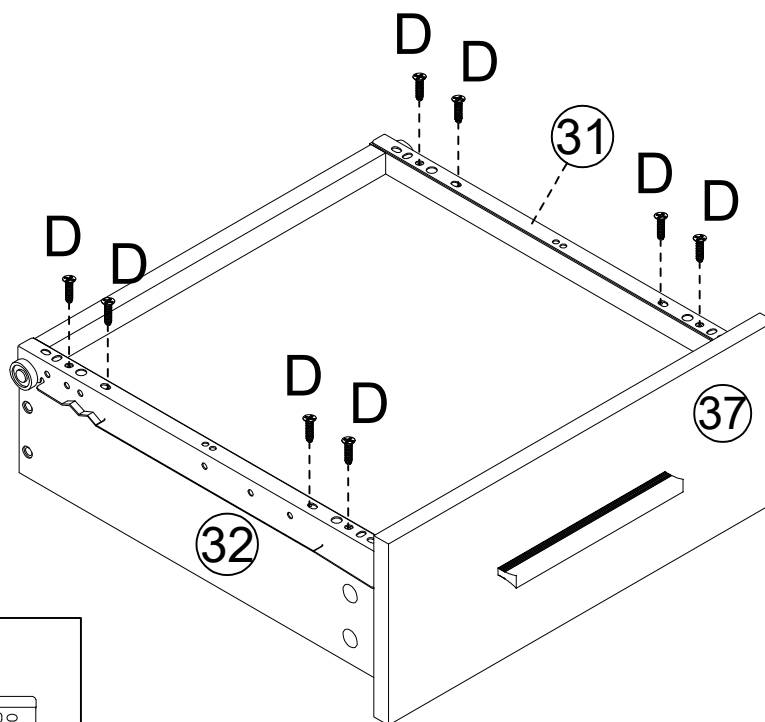

Cx16

# STEP47x4

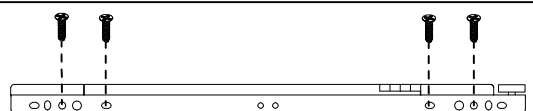


Bx16

# STEP48x4



E-DLx4

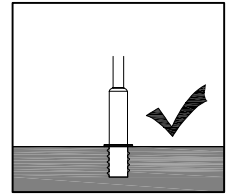
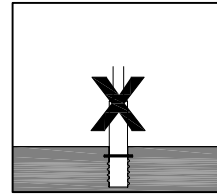
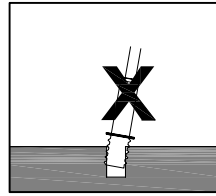
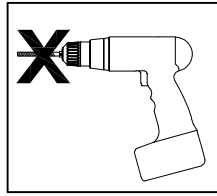


E-DRx4

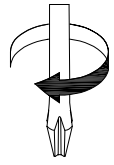
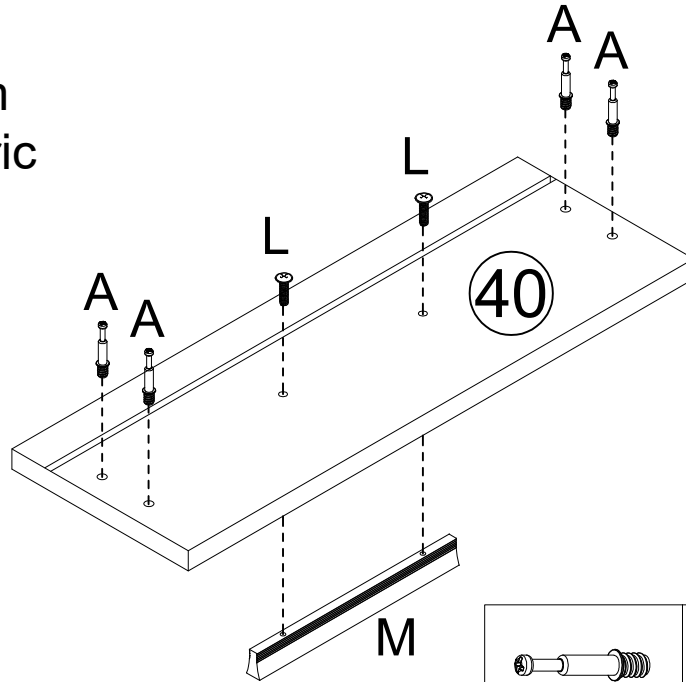


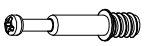


Dx32

# STEP49x2

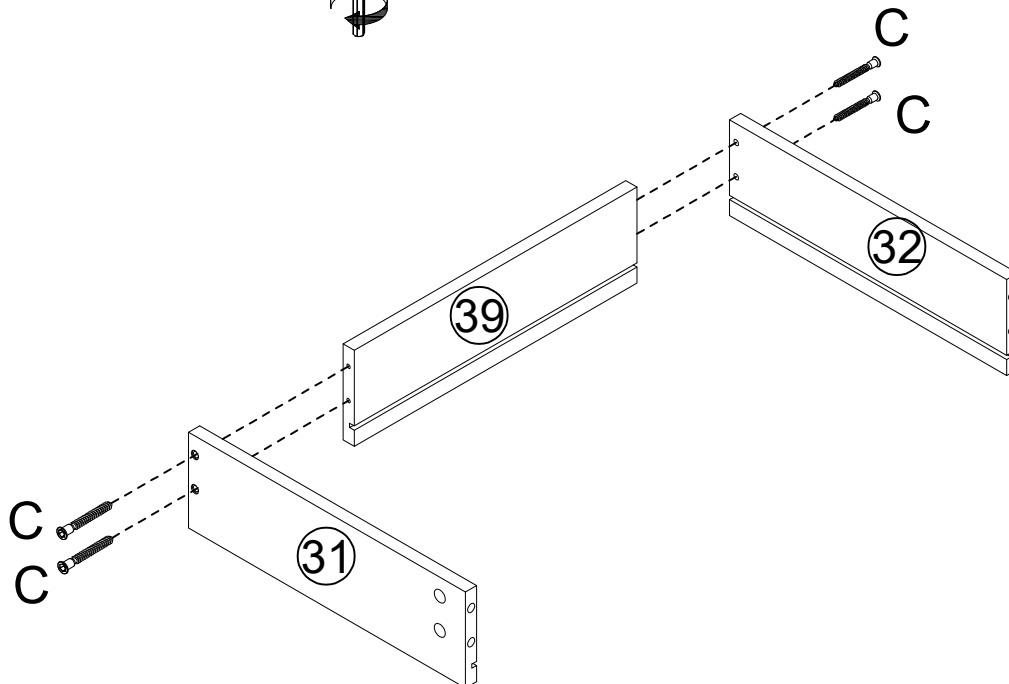
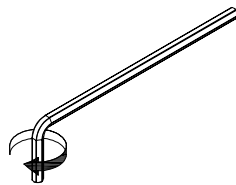



Iron Rod A is prohibited from using an electric drill.



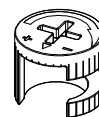
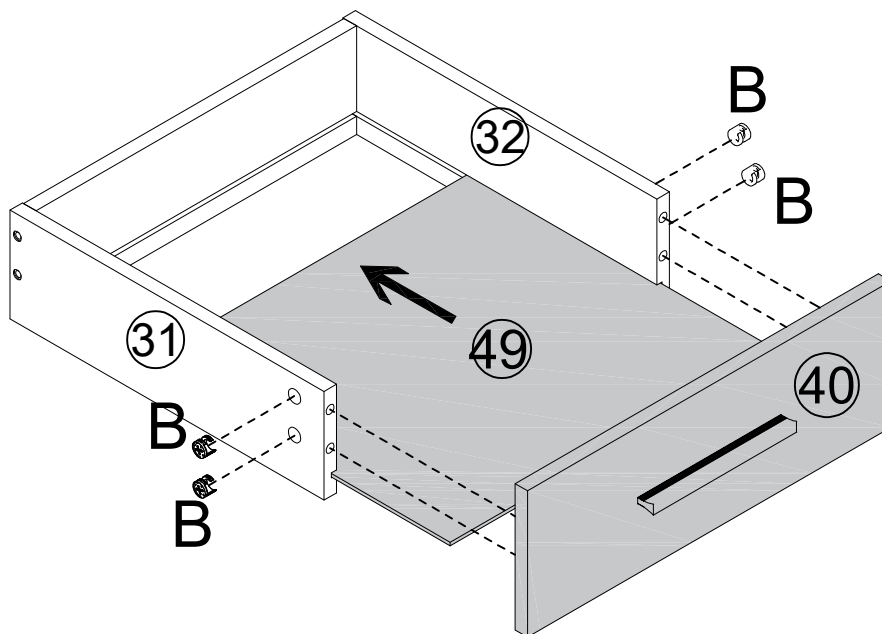
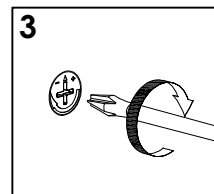
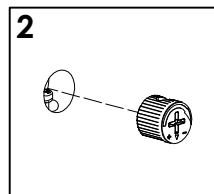
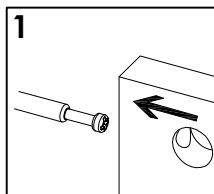
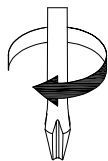
		
Ax8	Lx4	Mx2

# STEP50x2



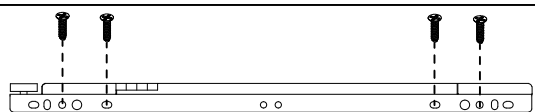
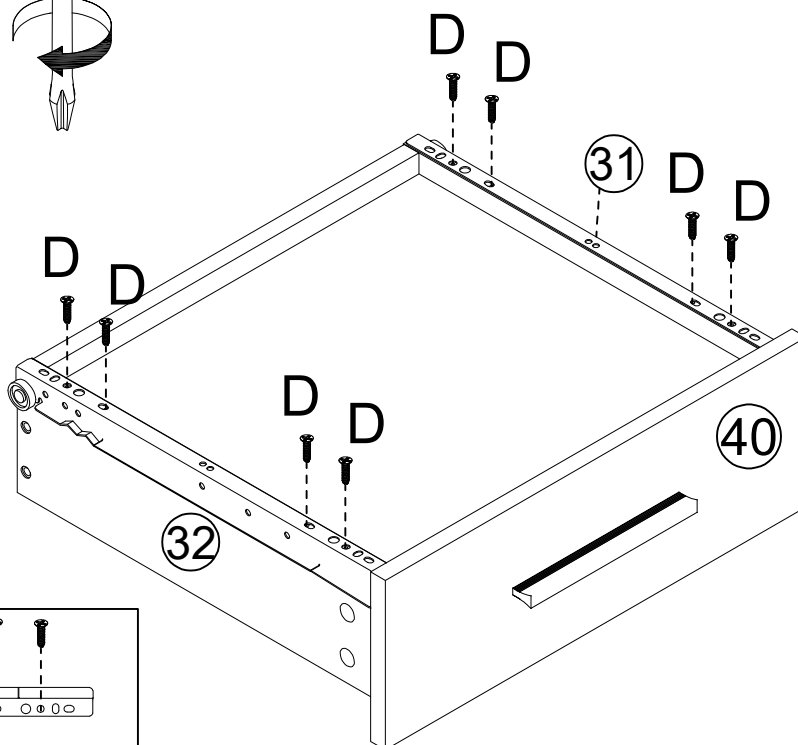
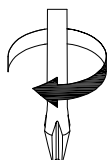

Cx8

# STEP51x2

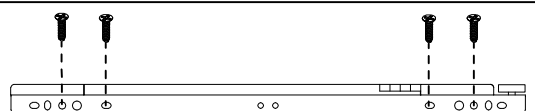


Bx8

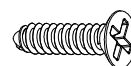
# STEP52x2



E-DLx2

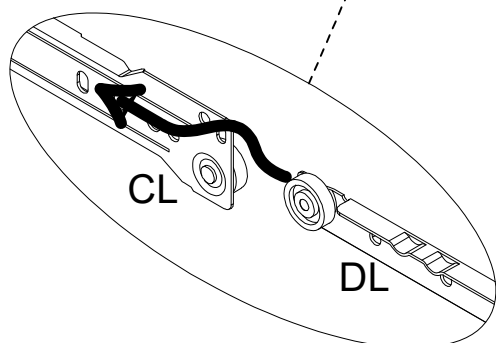
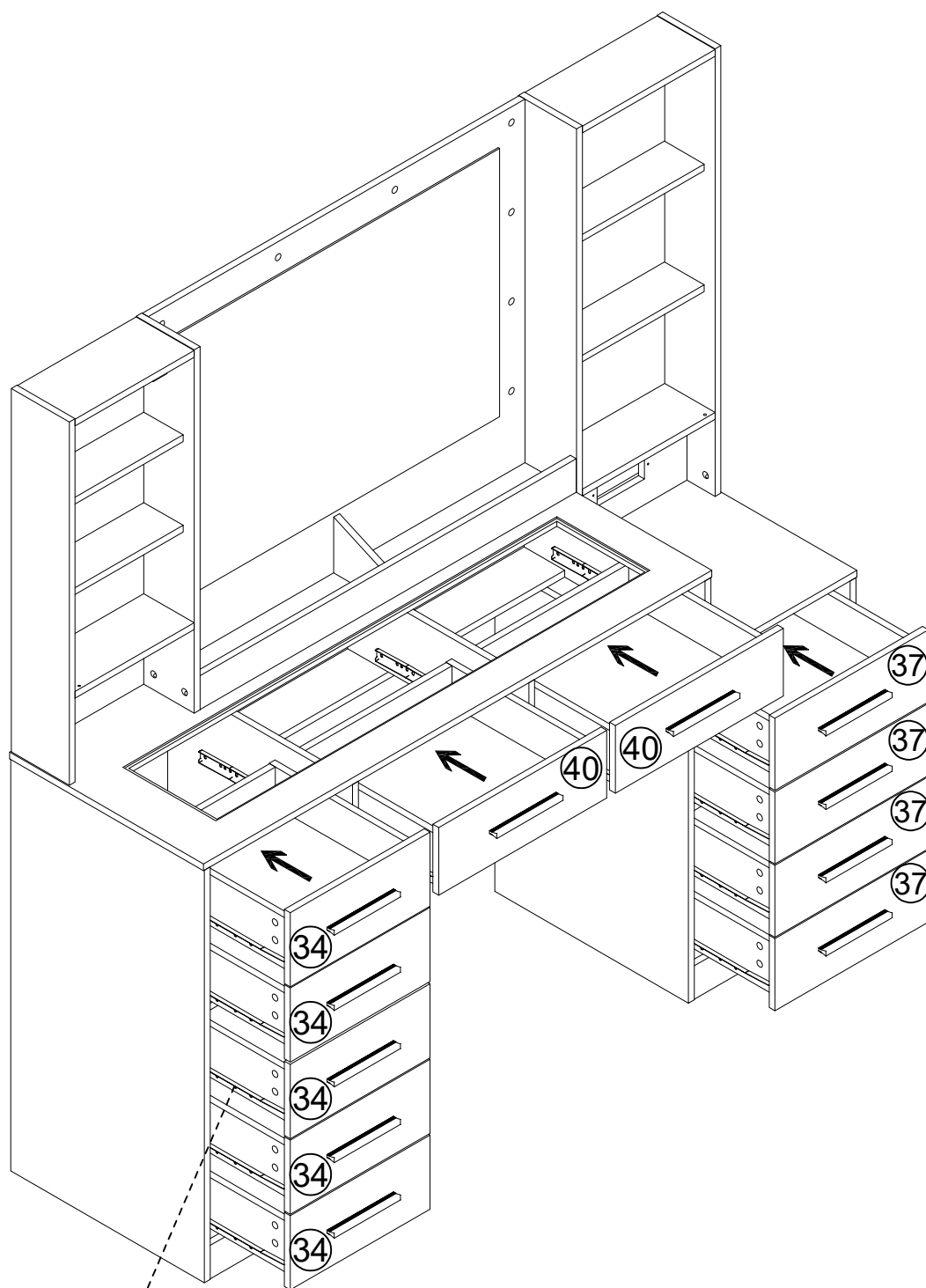


E-DRx2

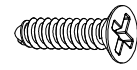
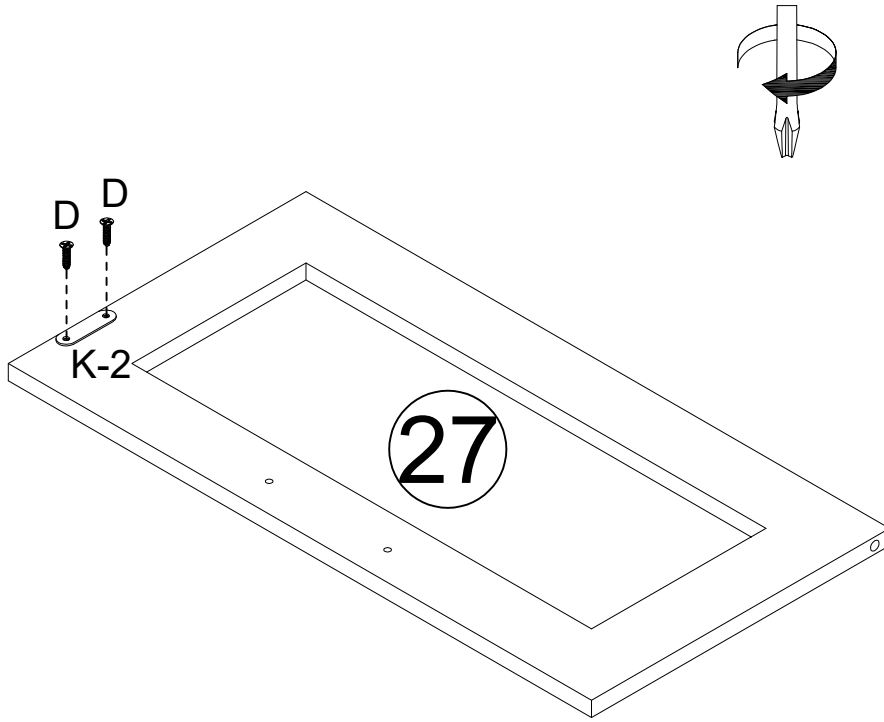


Dx16

# STEP 53



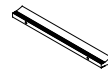
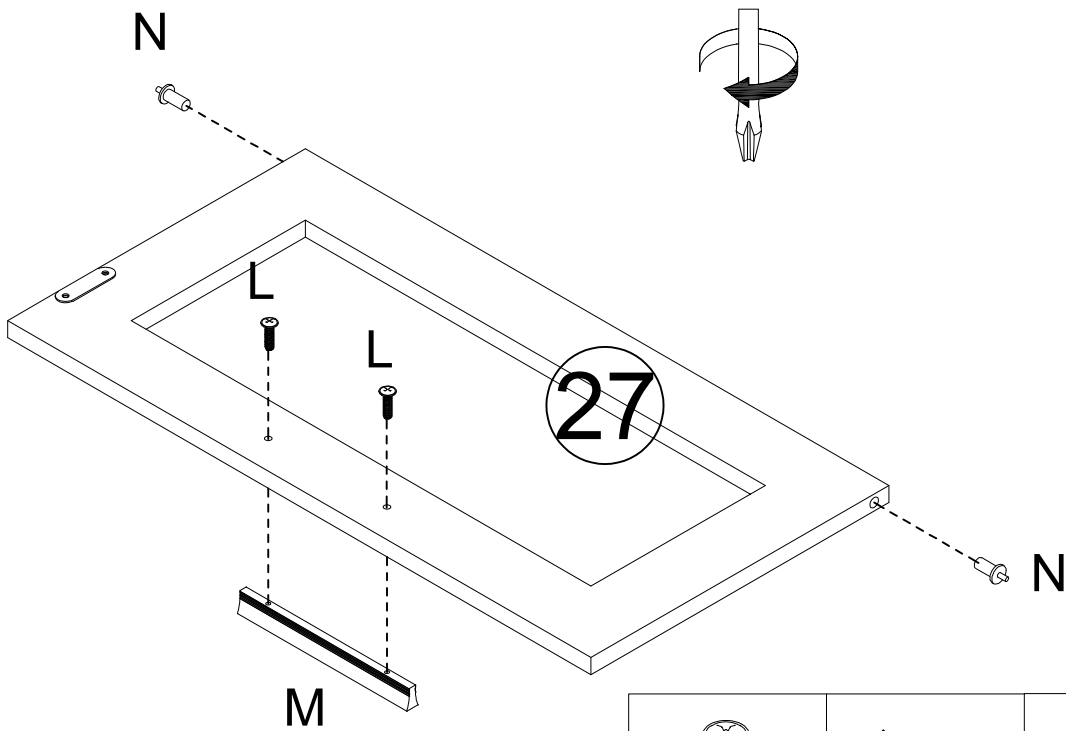
# STEP54



Dx2

K-2x1

# STEP55

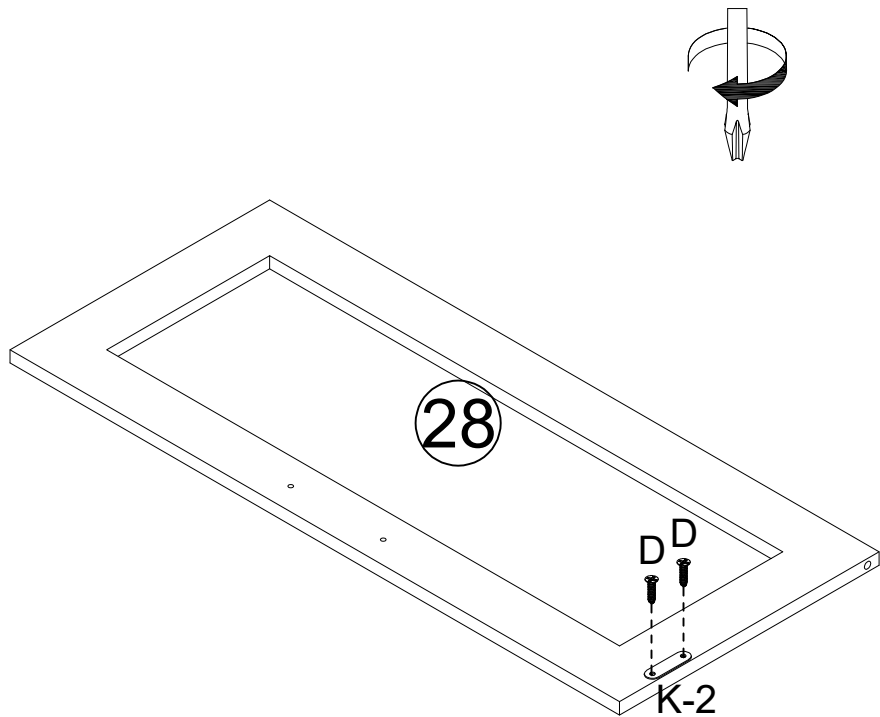




Lx2

Mx1

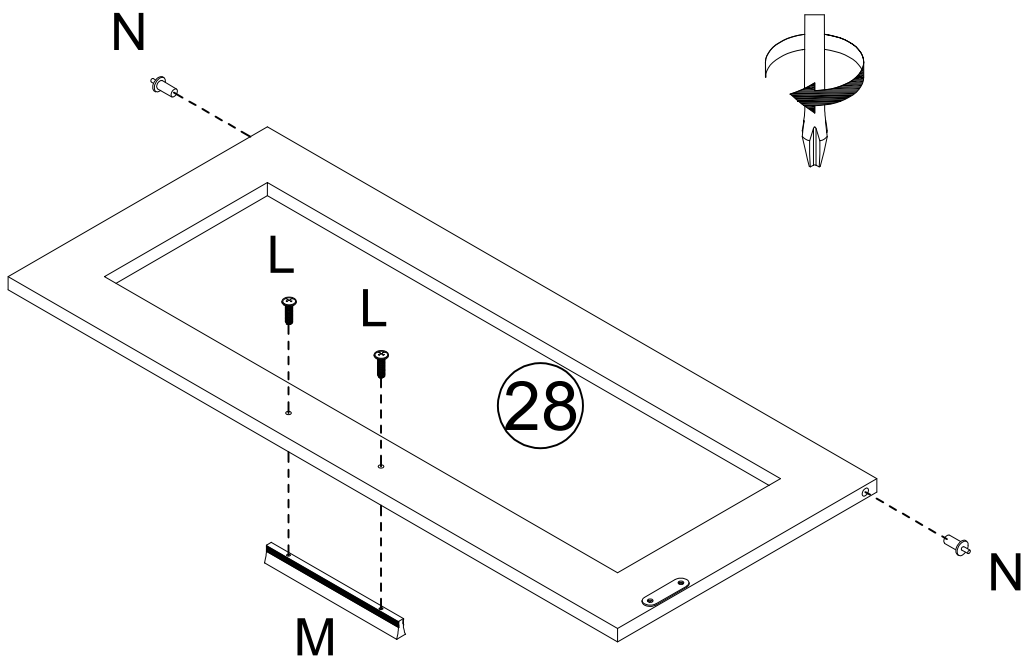
Nx2



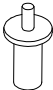
STEP56



	
Dx2	K-2x1

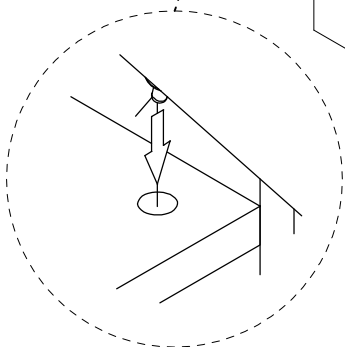
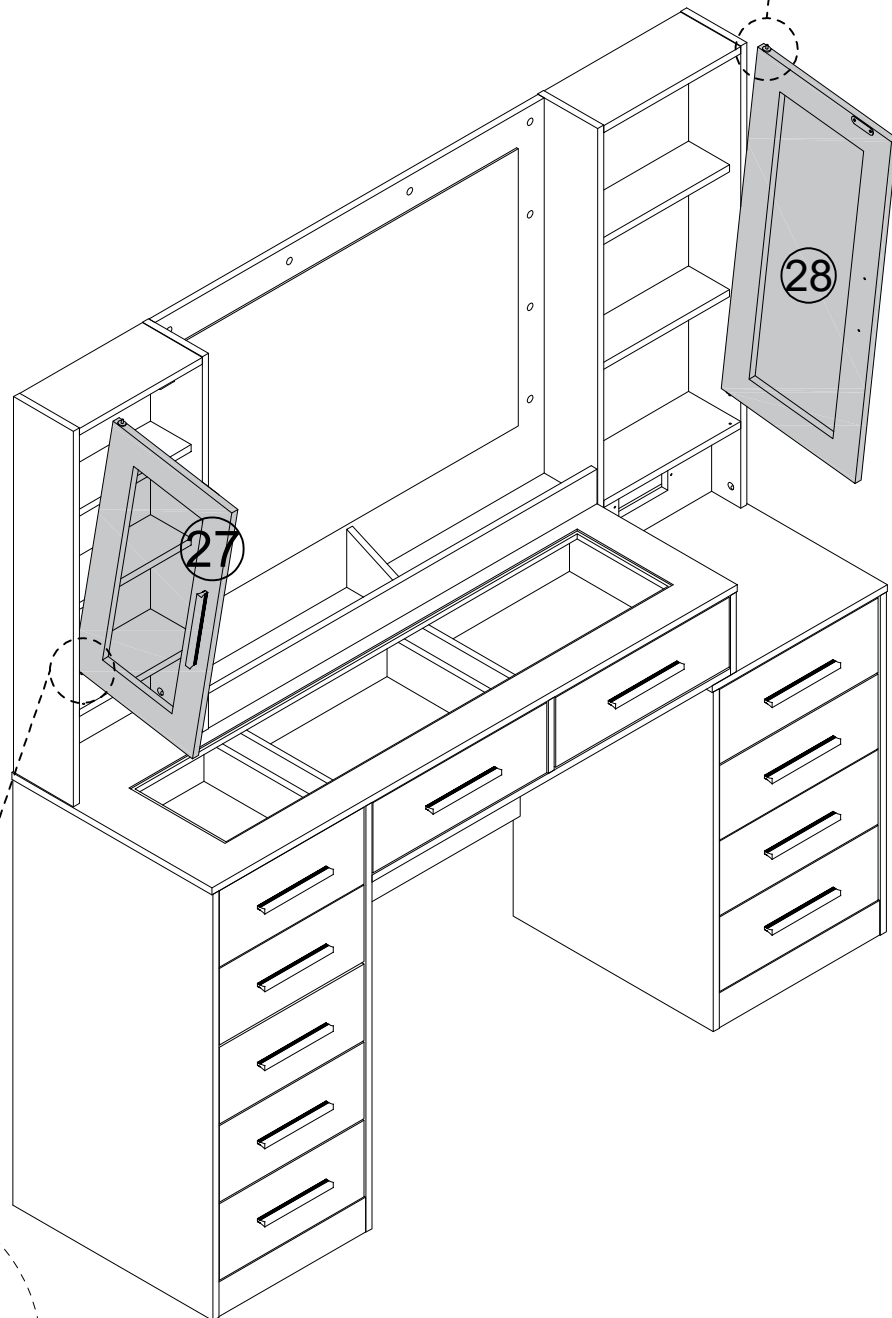
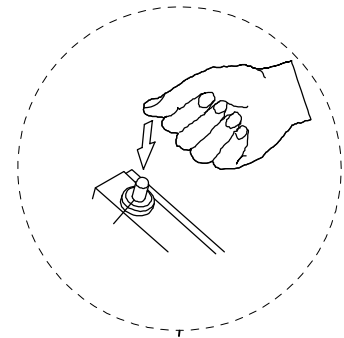
STEP57



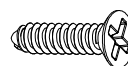
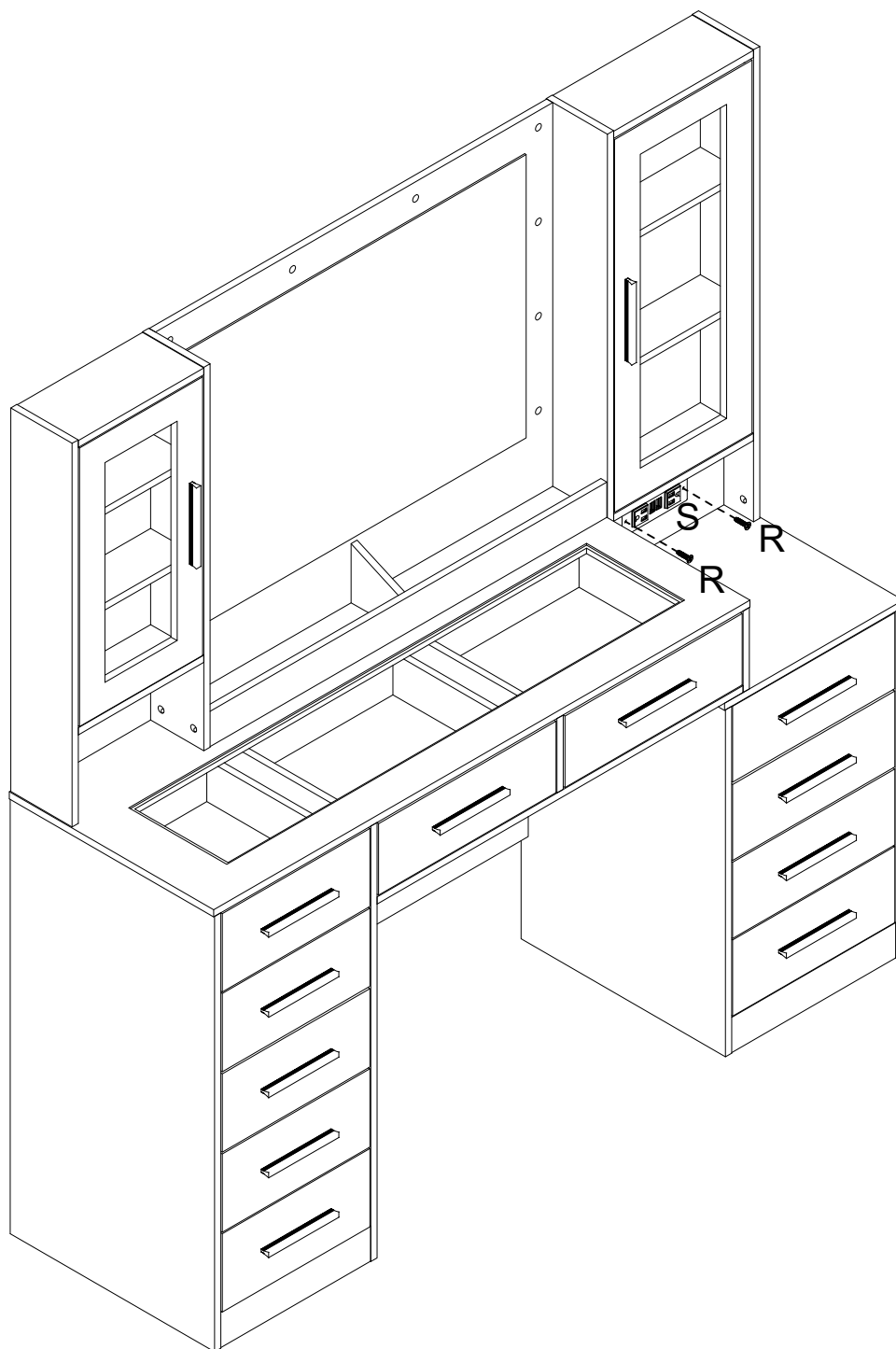
		
Lx2	Mx1	Nx2

STEP58

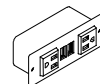
with your hand



# STEP 59

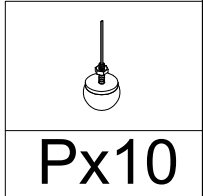
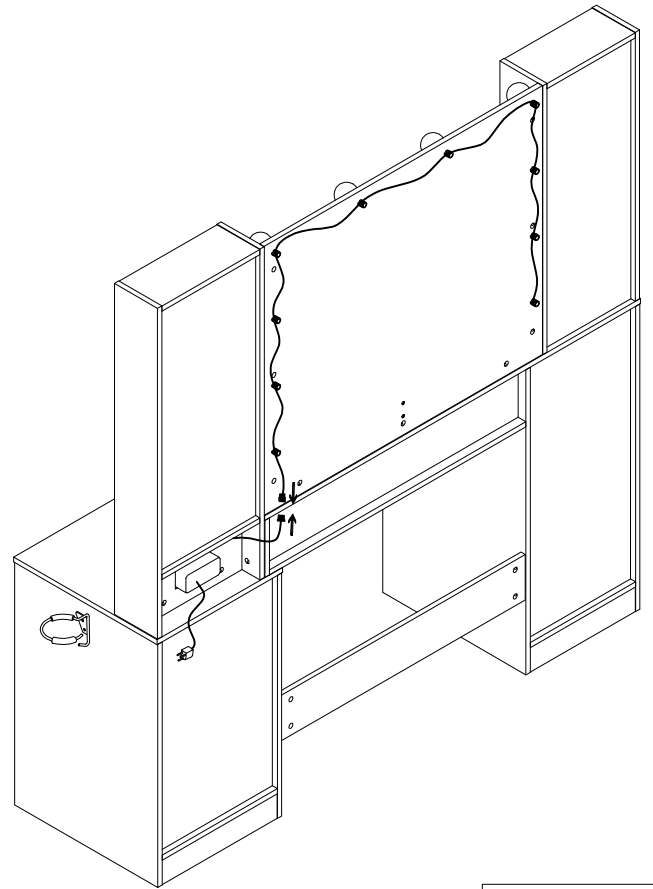
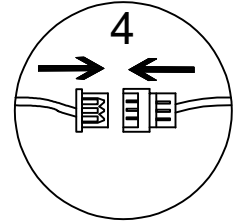
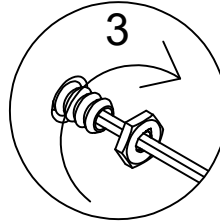
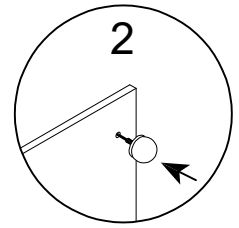
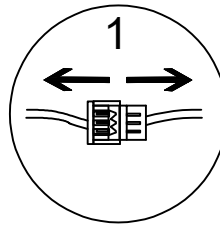
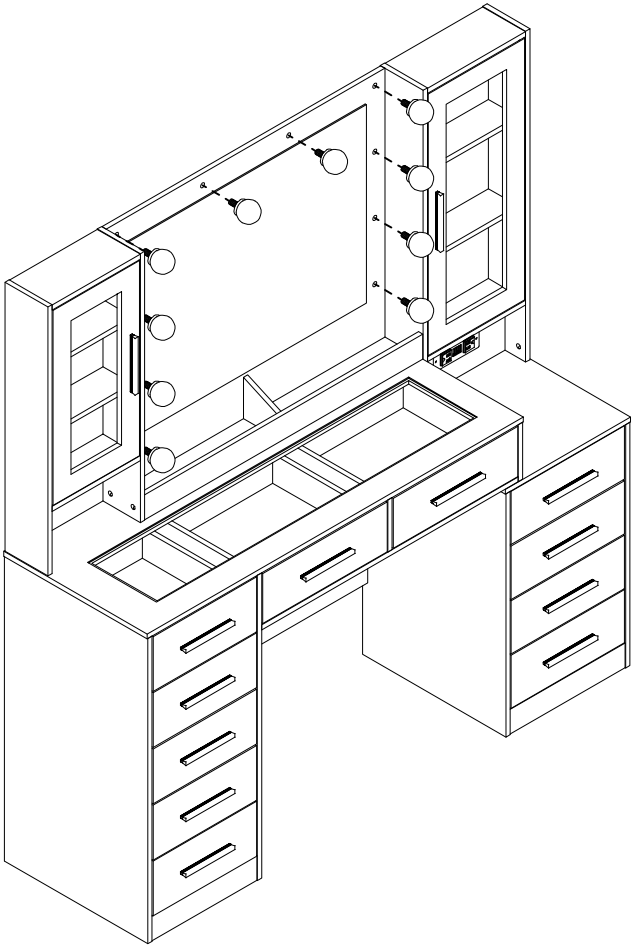


Rx2

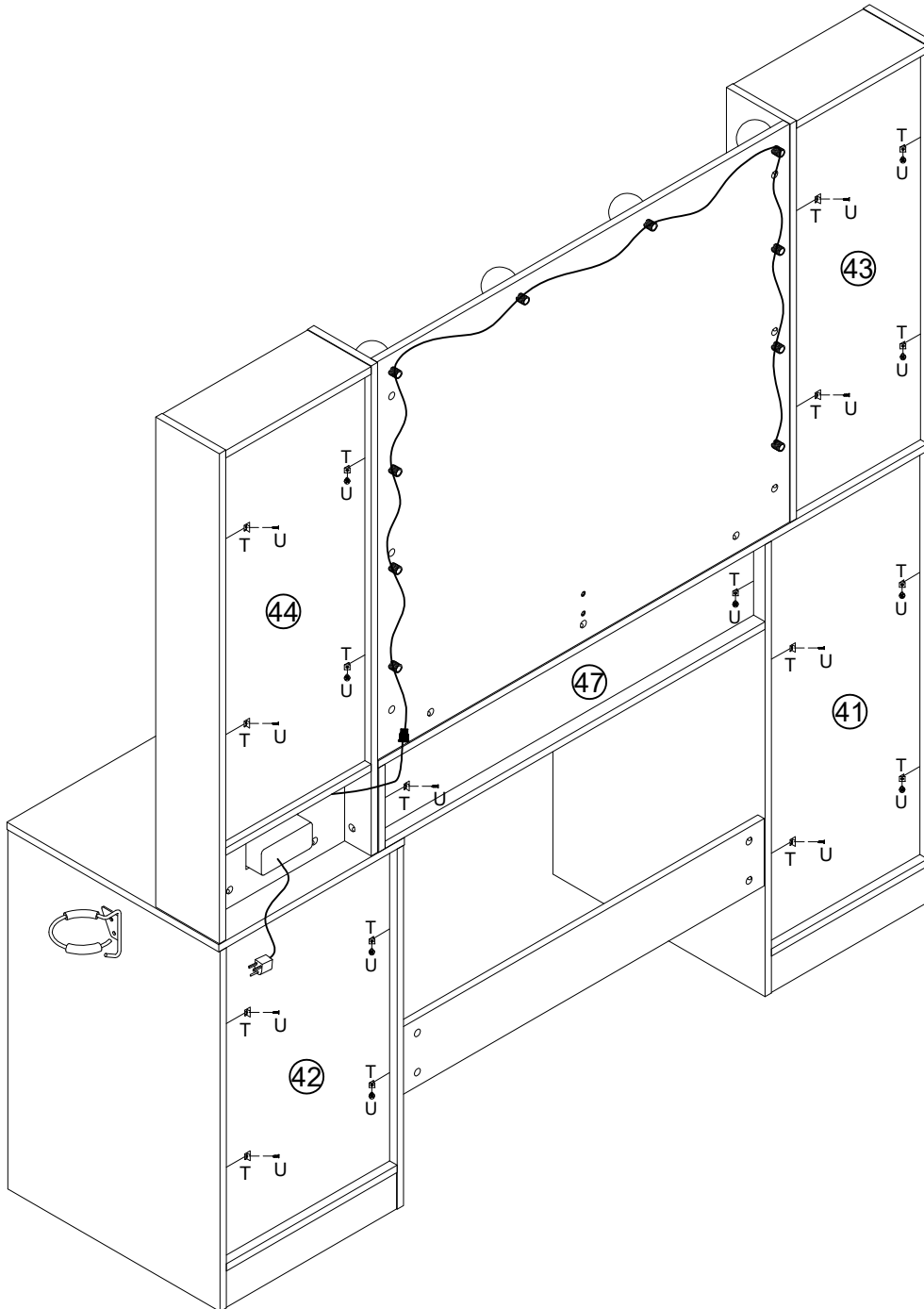
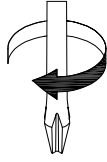


Sx1

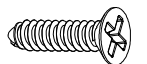
# STEP60



# STEP61

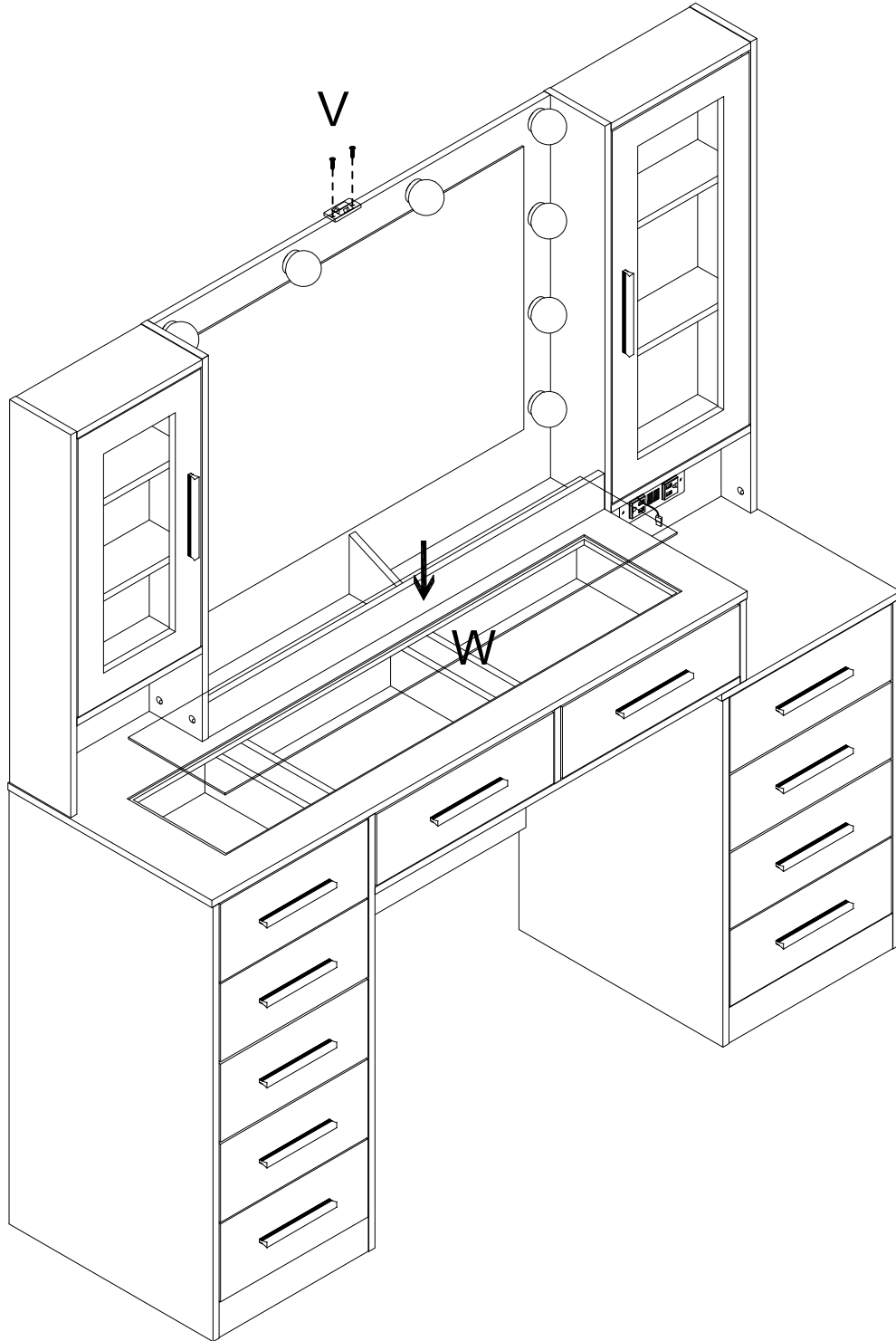
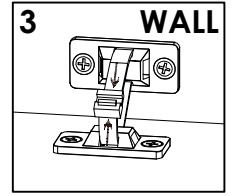
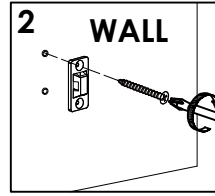
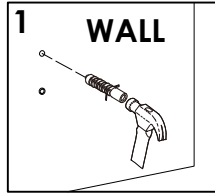
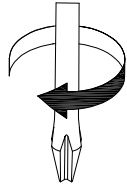


Tx18



Ux18

# STEP 62

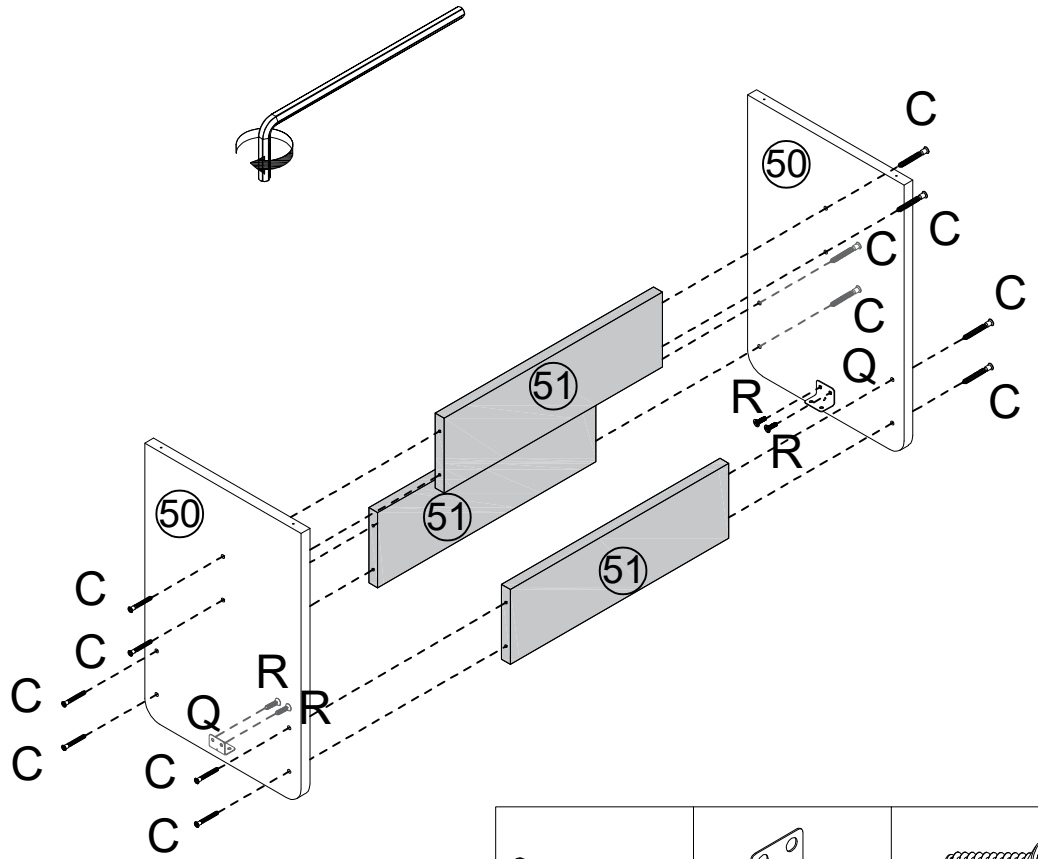
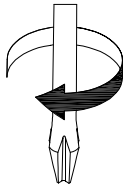


Vx1



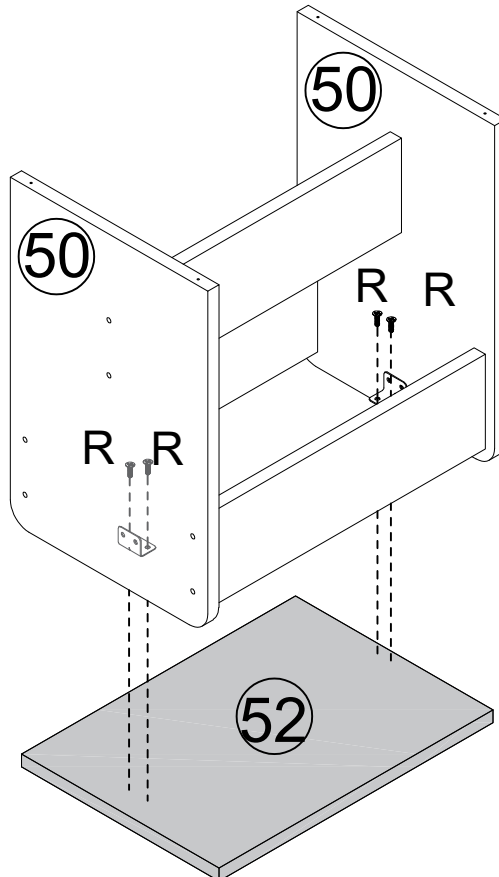
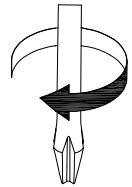
Wx1

# STEP63



Cx12	Qx2	Rx4

# STEP64



Rx4