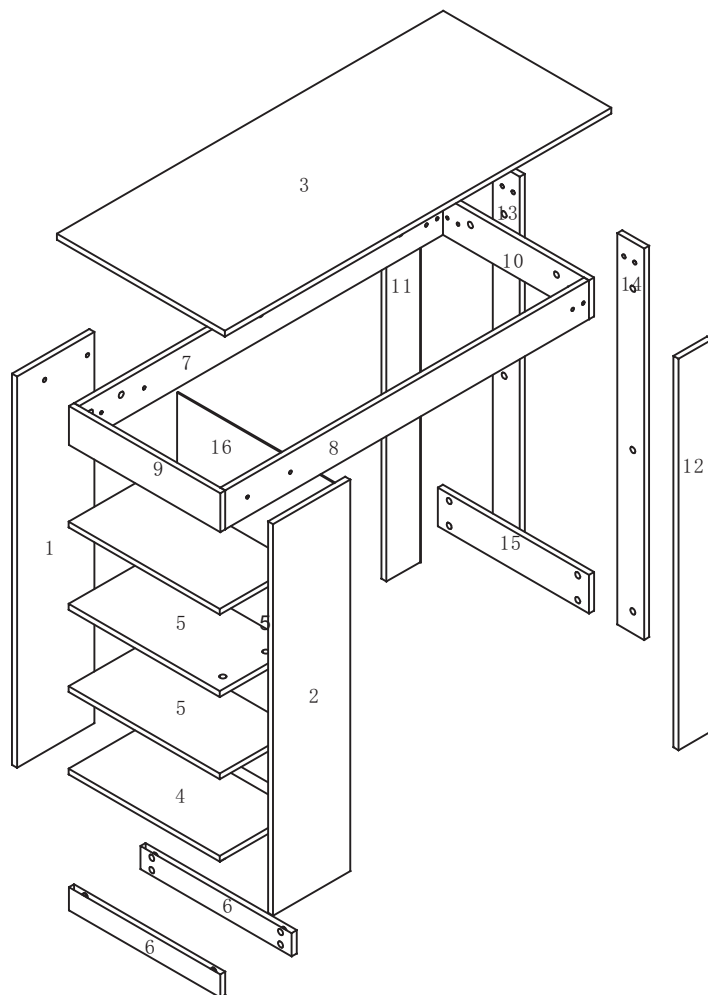
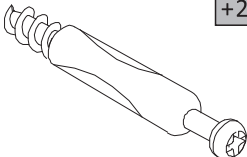

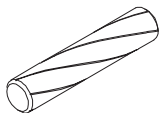
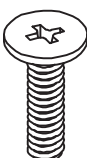
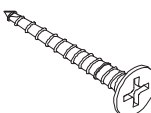

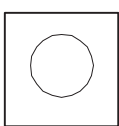
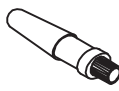
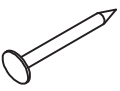


IMPORTANT, RETAIN FOR FUTURE REFERENCE: READ CAREFULLY

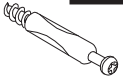
Tools Recommended

ASSEMBLY & INSTRUCTION MANUAL

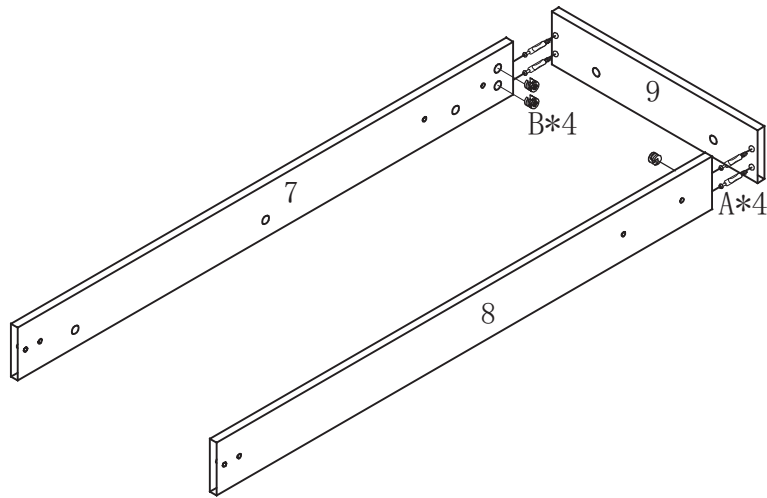


 <p>A x48 +2(spare)</p>	 <p>B x48 +2(spare)</p>	 <p>C x22 +1(spare)</p>
 <p>D x12 M3.5*35 +1(spare)</p>	 <p>E x04</p>	 <p>F x08</p>
 <p>G x48 φ 20</p>	 <p>H x01</p>	 <p>I x30 +2(spare)</p>

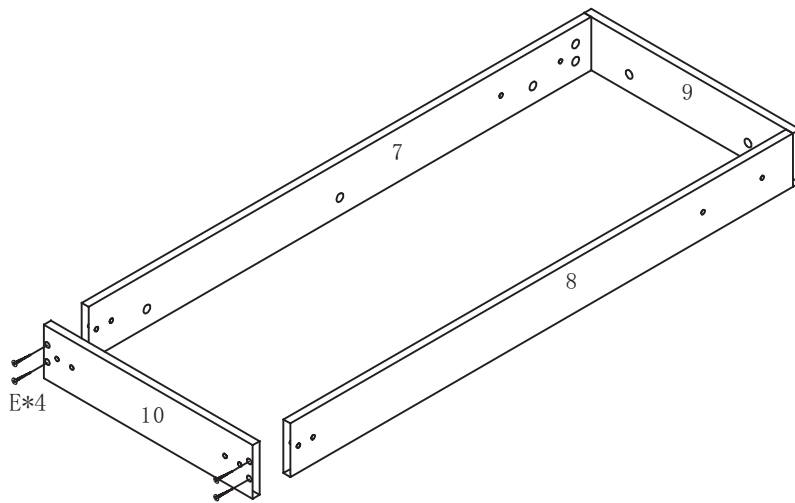
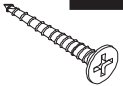
A x04



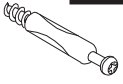
B x04



E x04



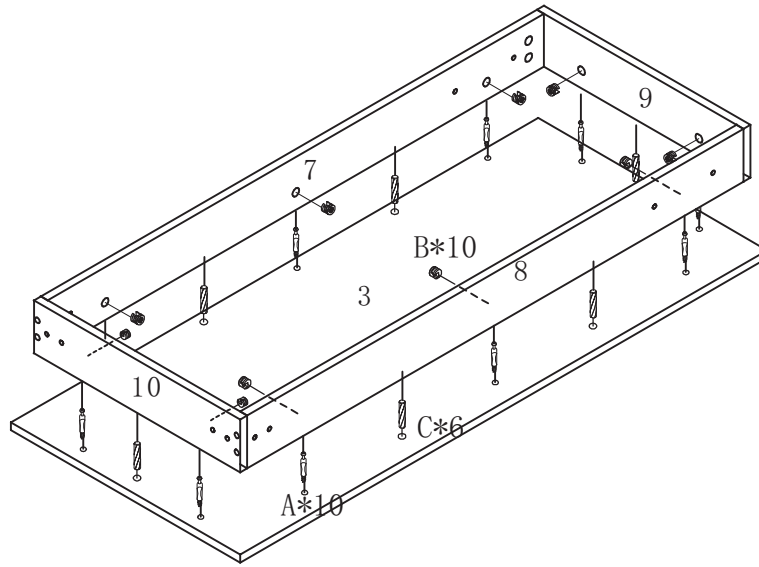
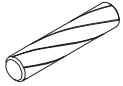
A x10



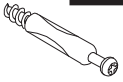
B x10



C x06



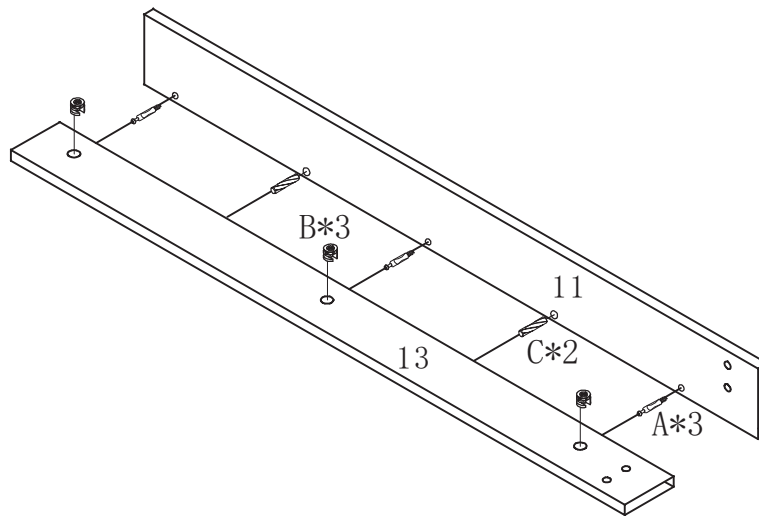
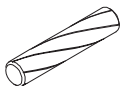
A x03



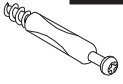
B x03



C x02



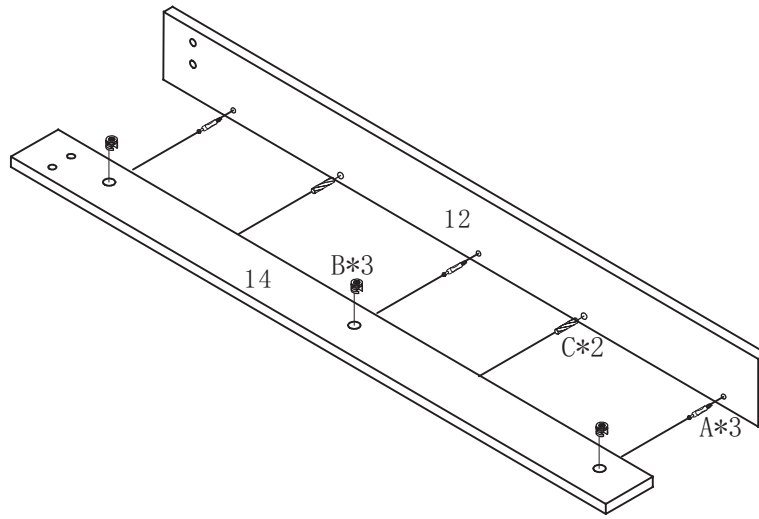
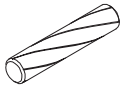
A x03



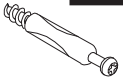
B x03



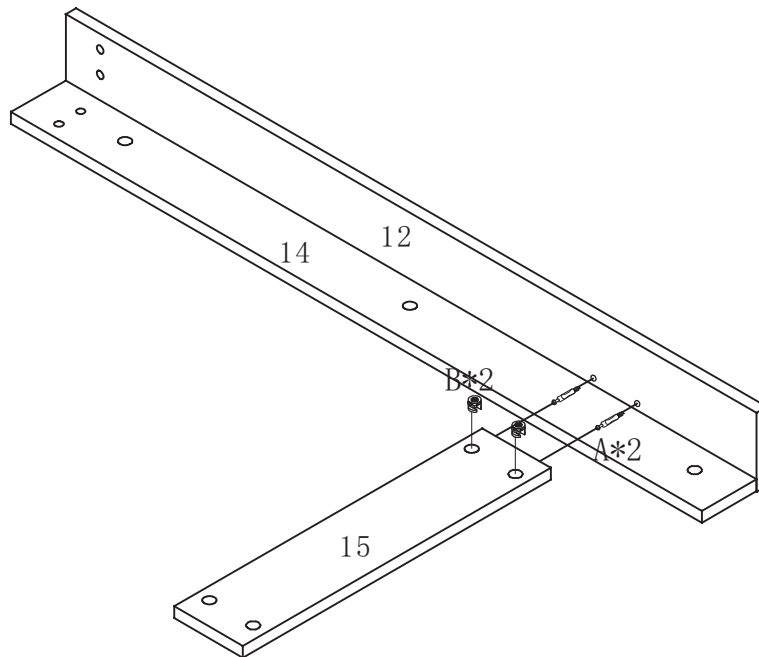
C x02



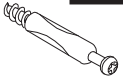
A x02



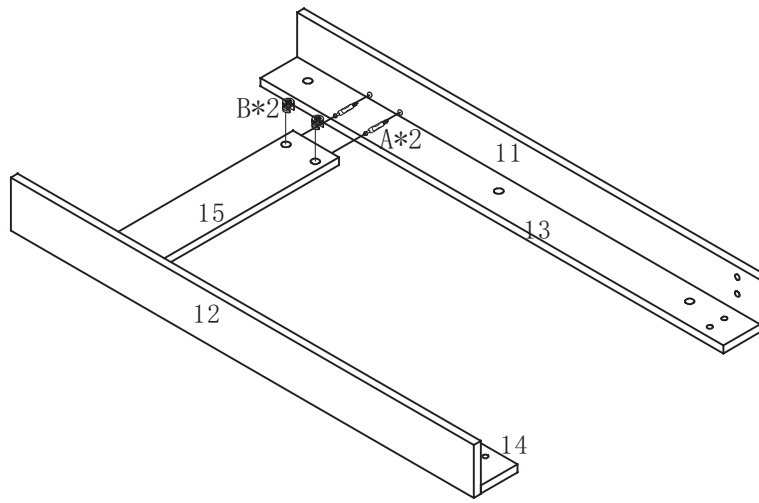
B x02



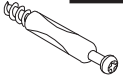
A x02



B x02



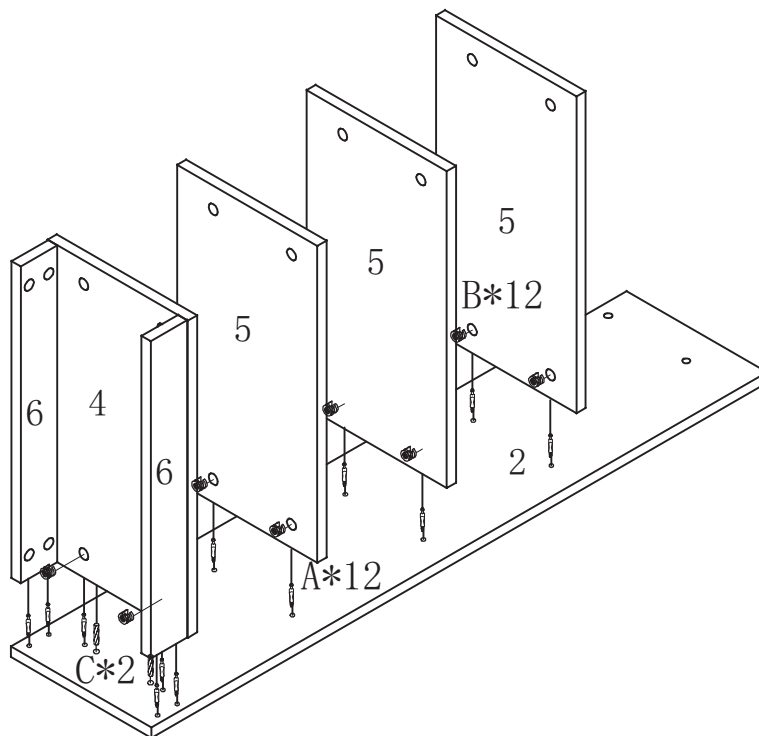
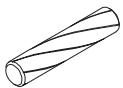
A x12



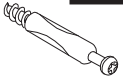
B x12



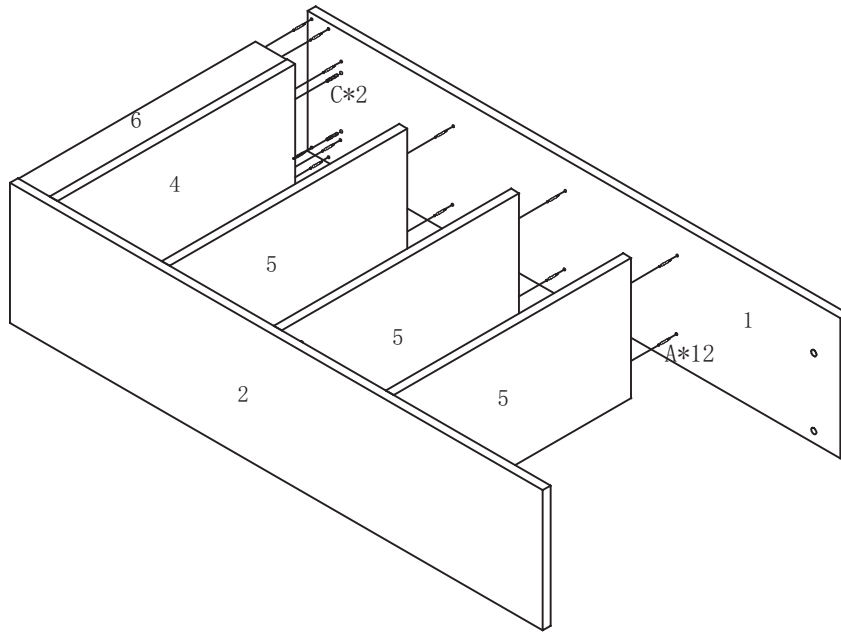
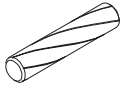
C x02



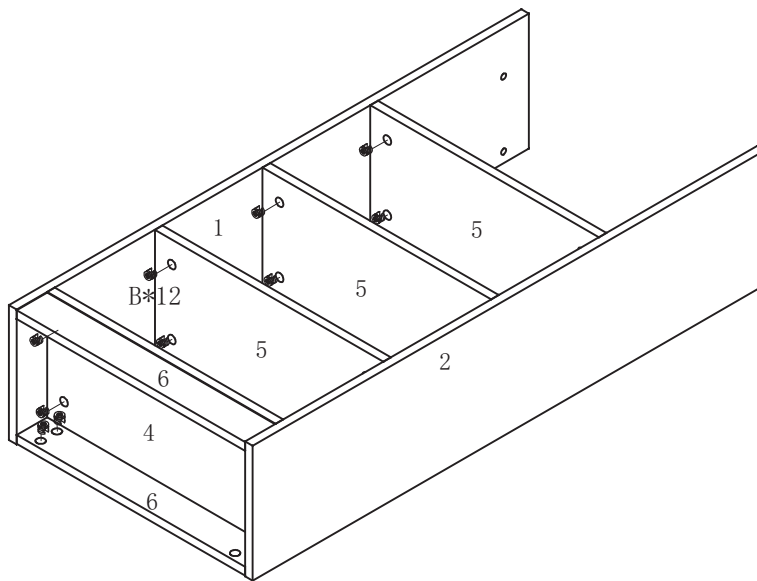
A x12



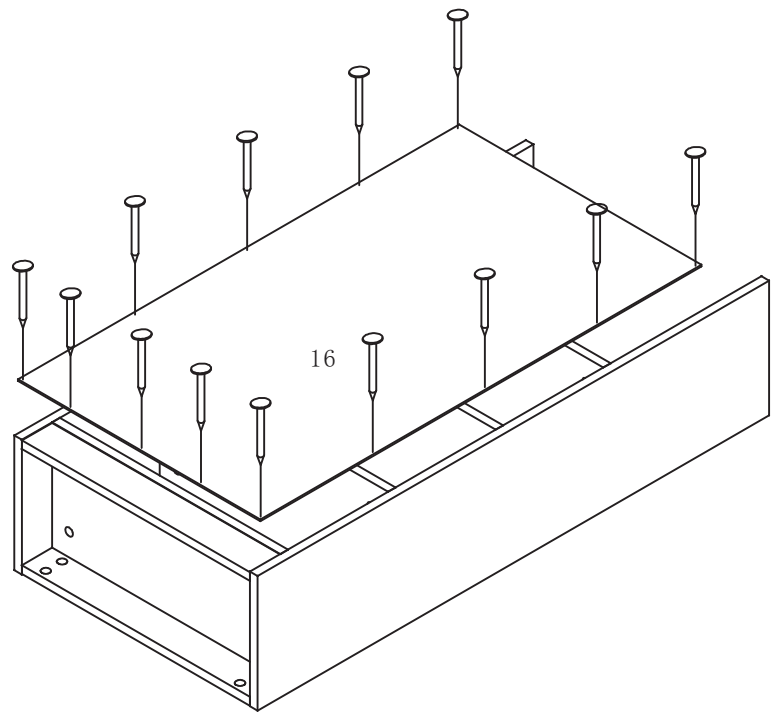
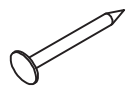
C x02



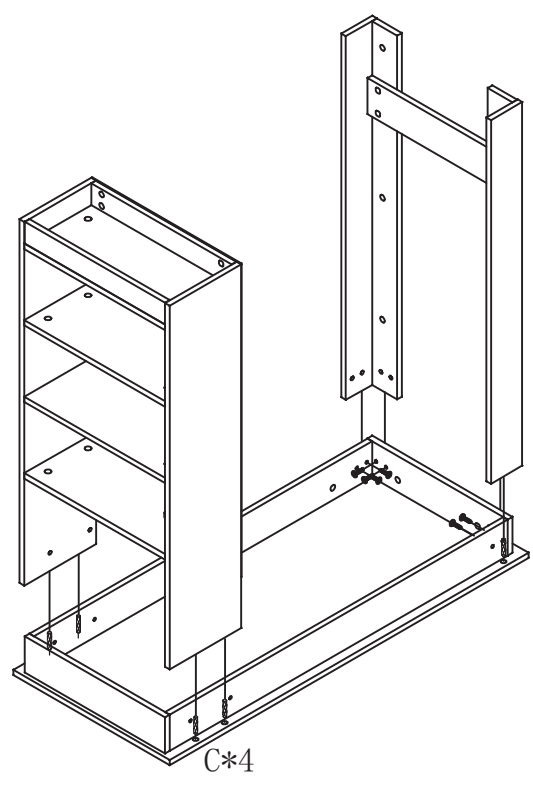
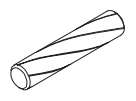
B x12



I x30



C x06



D x12



F x08



G x48

