

Assembly Instructions

Caution: You must read this before you proceed

Care & Maintenance



- Not for commercial use. For residential use only.



- Furniture may scratch floors. We recommend using furniture pads to protect your floors.



- Do not put hot items directly on furniture surface.



- Do not clean furniture with harsh cleansers or polish.



- Do not place furniture under direct sunlight.



- Do not place furniture near heating or cooling vents.



- Do not write on furniture without a padded barrier to protect the surface.



- Do not place furniture outside . For indoor use only.



- Stains may be removed with mild soap solution and damp cloth.



- Children should not climb or jump on the furniture.



- Dust and pick-up spills using a clean, non-colored, lint-free cloth.

KING BED



WARNING !

STRANGULATION HAZARD

NEVER place bed near windows where cords from blinds or drapes may strangle a child.

NEVER suspend strings over bed.

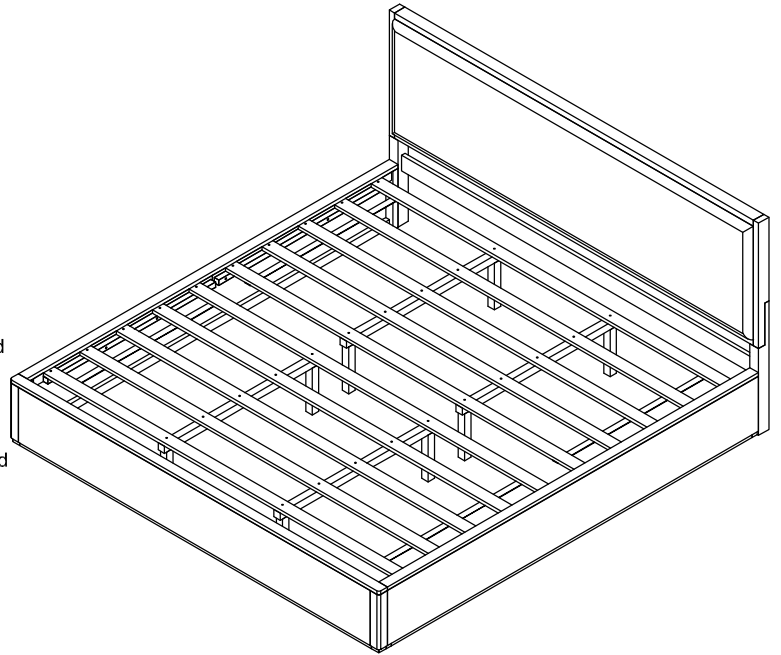
NEVER place items with a string, cord, or ribbon, such as hood strings or pacifier cords, around a child's neck. These items may catch on bed parts.

ALWAYS follow assembly instructions.

Not intended for children under the age of six. **INFANTS HAVE DIED FROM BECOMING ENTRAPPED IN BEDS.** Openings in and between bed parts can entrap the neck and head of a small child.

NEVER use bed for child under the age of six.

The mattress must be appropriately sized for the bed. If the mattress is undersized, dangerous gaps can exist and a person can become entrapped or entangled in the frame and suffocate.




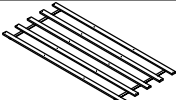
CAUTION: This King Bed is NOT a TOY.

Keep your child / children at bay in the process of assembly.


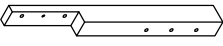
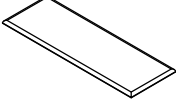
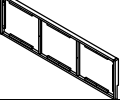
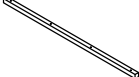


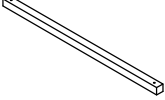

For turning the King Bed and to prevent damage to the King Bed.

02 persons may be needed to execute this action.











PART LIST (N769P439436)

E	Side rails 	2pcs	K	Slats 	2pcs
----------	--	------	----------	---	------

PART LIST (N769P439437/Hardware in this SKU)

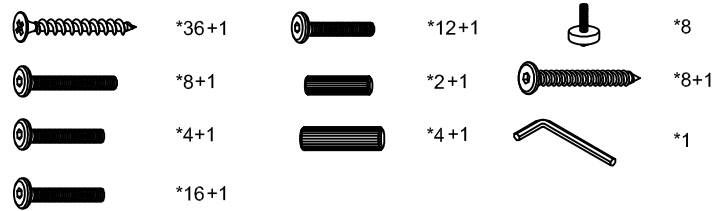
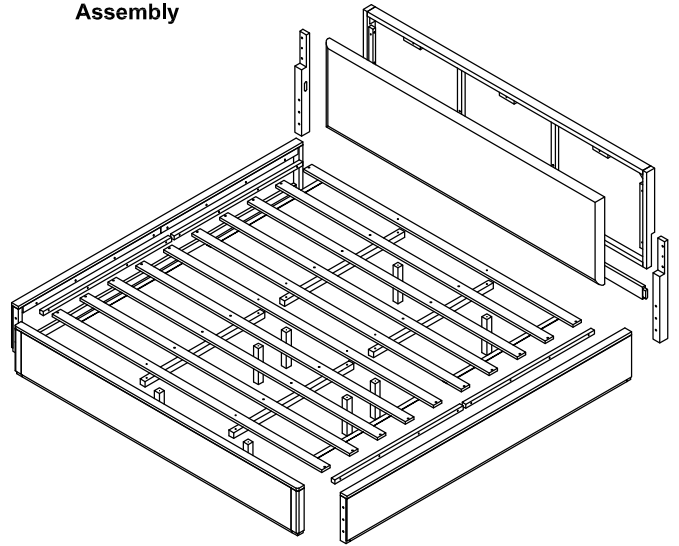
A	Left headboard leg 	1pc	B	Right headboard leg 	1pc	C	Front frame headboard 	1pc	D	HB frame 	1pc	F	Support rails 	4pcs	G	Footboard Frame 	1pc	H	Bottom headboard 	1pc	I	Center support slats 	4pcs	J	Center support leg 	8pcs
----------	--	-----	----------	---	-----	----------	---	-----	----------	--	-----	----------	---	------	----------	---	-----	----------	--	-----	----------	--	------	----------	--	------

Hardware (Each of the above hardware including extra 1 pc)

Label	Picture	Description	Qty
①		Vis Ø4 x 30mm	36+1
②		Bolt M8 x 50mm	8+1
③		Bolt M8 x 40mm	4+1
④		Bolt M6 x 35mm	16+1
⑤		Wooden dowel Ø8 x 30 mm	2+1
⑥		Wooden dowel Ø10 x 40 mm	4+1
⑦		Bolt M6 x 30mm	12+1
⑧		Leveler M6 x 25 mm	8
⑨		Bolt M6 x 80mm	8+1
⑩		Allen wrench	1

Assembly Preparation

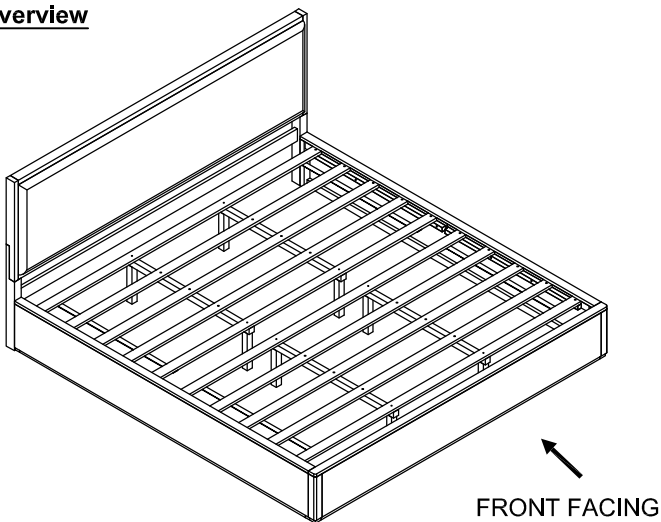
Before Beginning Assembly



- Read instruction, cover to cover.
- Have 2 adults on hand for assembly.
- Do not assemble on flooring or carpet.
- Assemble on a clean non-marring surface (packing foam).
- Save all packaging until finished.

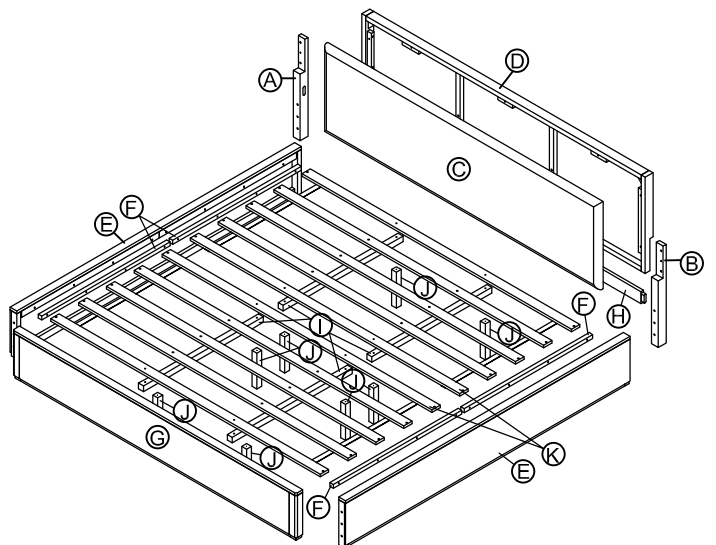
Assembly Preparation

Overview



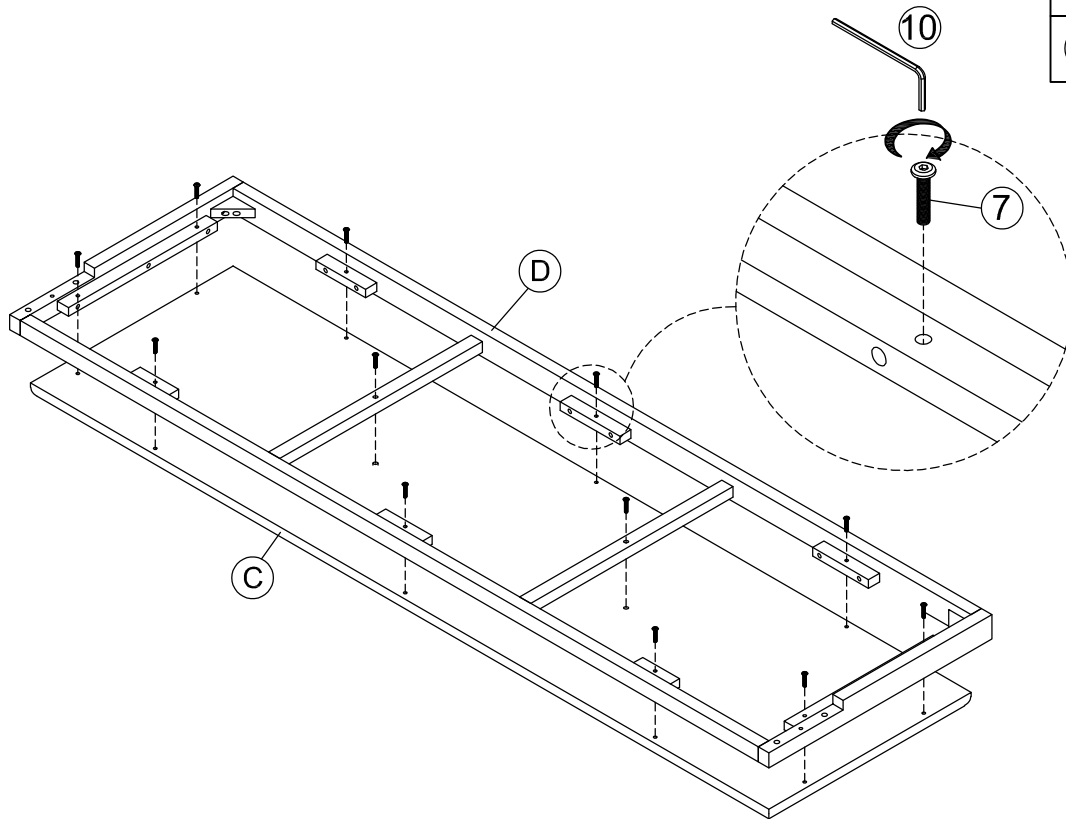
This King Bed has multiple parts and may require up to 1 hour to assemble. To give you an overview of the King Bed parts, the above picture is to help you put the various parts into perspective. Please read through the instructions herebelow to familiarise the parts and steps before assembly.

Step 1:



Unpack and place all part on a clean, non-marring surface.

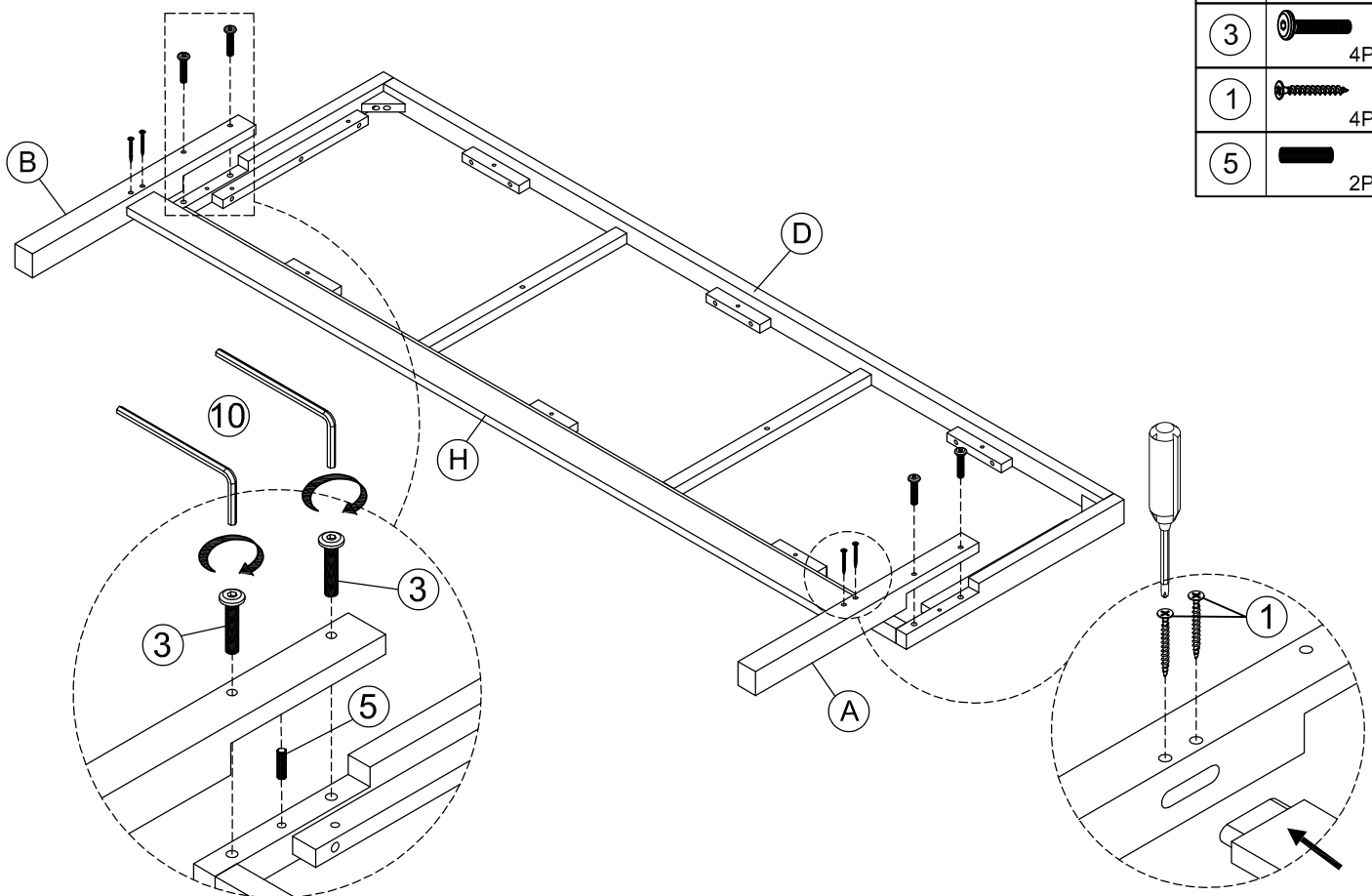
Step 2:



(10)		1PCS
(7)		12PCS

- Attach HB frame (D) with Front frame headboard (C) , use and tighten bolt (7) as shown

Step 3:






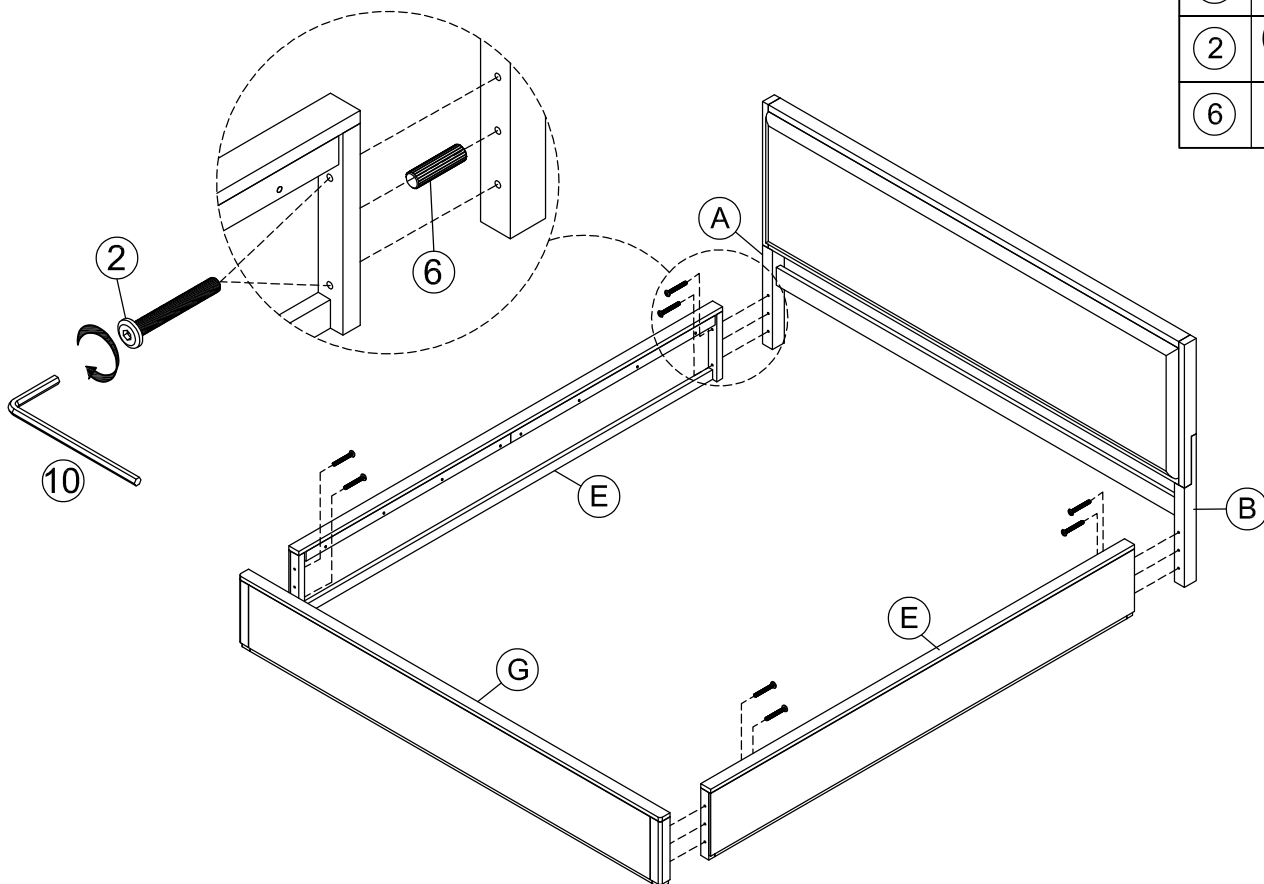
(10)		1PCS
(3)		4PCS
(1)		4PCS
(5)		2PCS

- Attach bottom headboard rail (H) on the leg (A) (B) and tighten screw (1) as shown.

- Use wooden dowel (6) attach the leg (A)(B) on the headboard frame (D) , use Allen wrench (10) assemble tighten bolt (3) as shown.



Step 4:

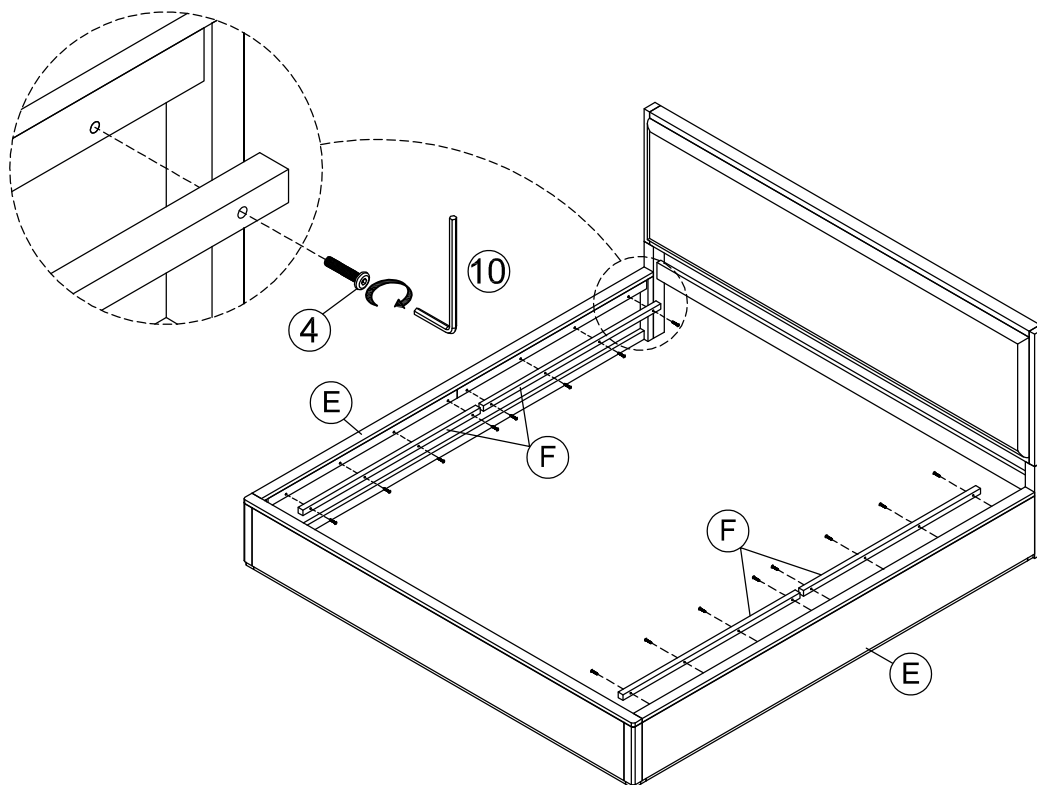
(10)		1PCS
(2)		8PCS
(6)		4PCS



- Use wooden dowel (6) to attach side rails (E) to leg (A) (B) , use allen wrench (10) to assemble and tighten bolt (2) as shown .
- Use wooden dowel (6) to attach side rails (E) to footboard frame (G) , use allen wrench (10) to assemble and tighten bolt (2) as shown .

Step 5:

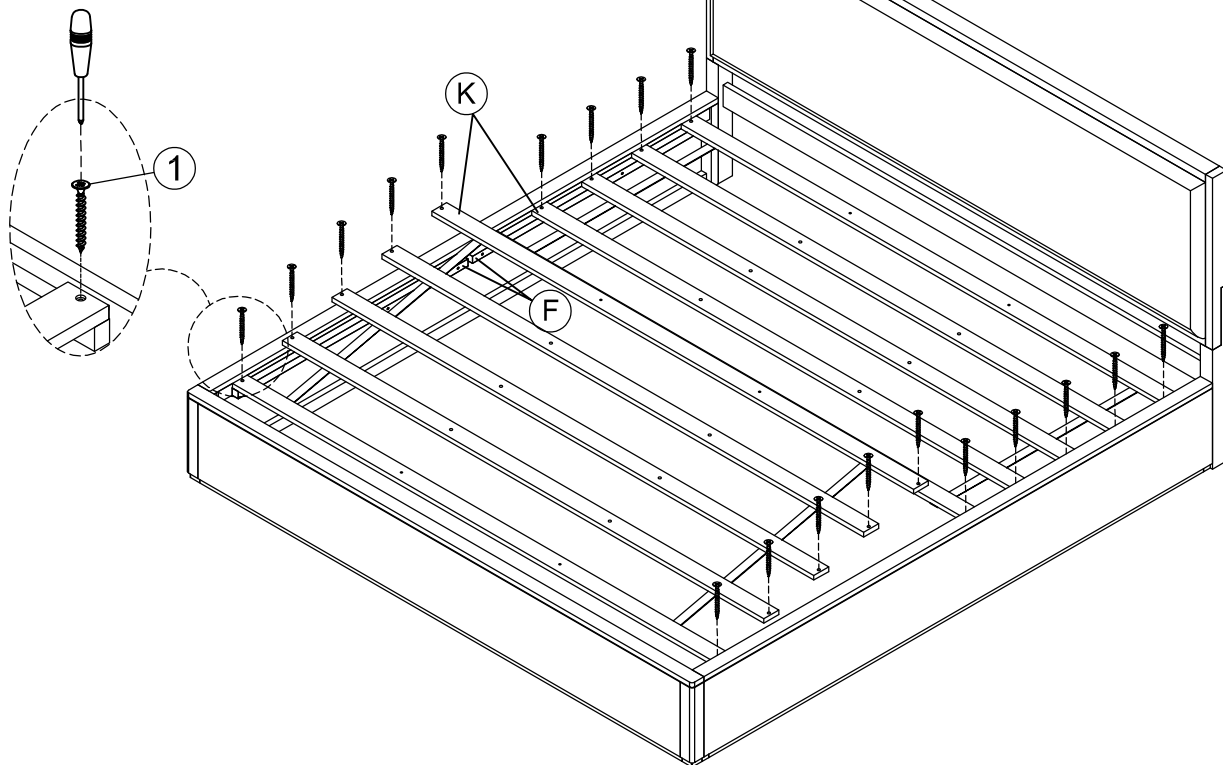
(10)		1PCS
(4)		16PCS



- Attach Support rails (F) onto side rail (E) use allen wrench (10) to tighten bolt (4) to as shown.





Step 6:

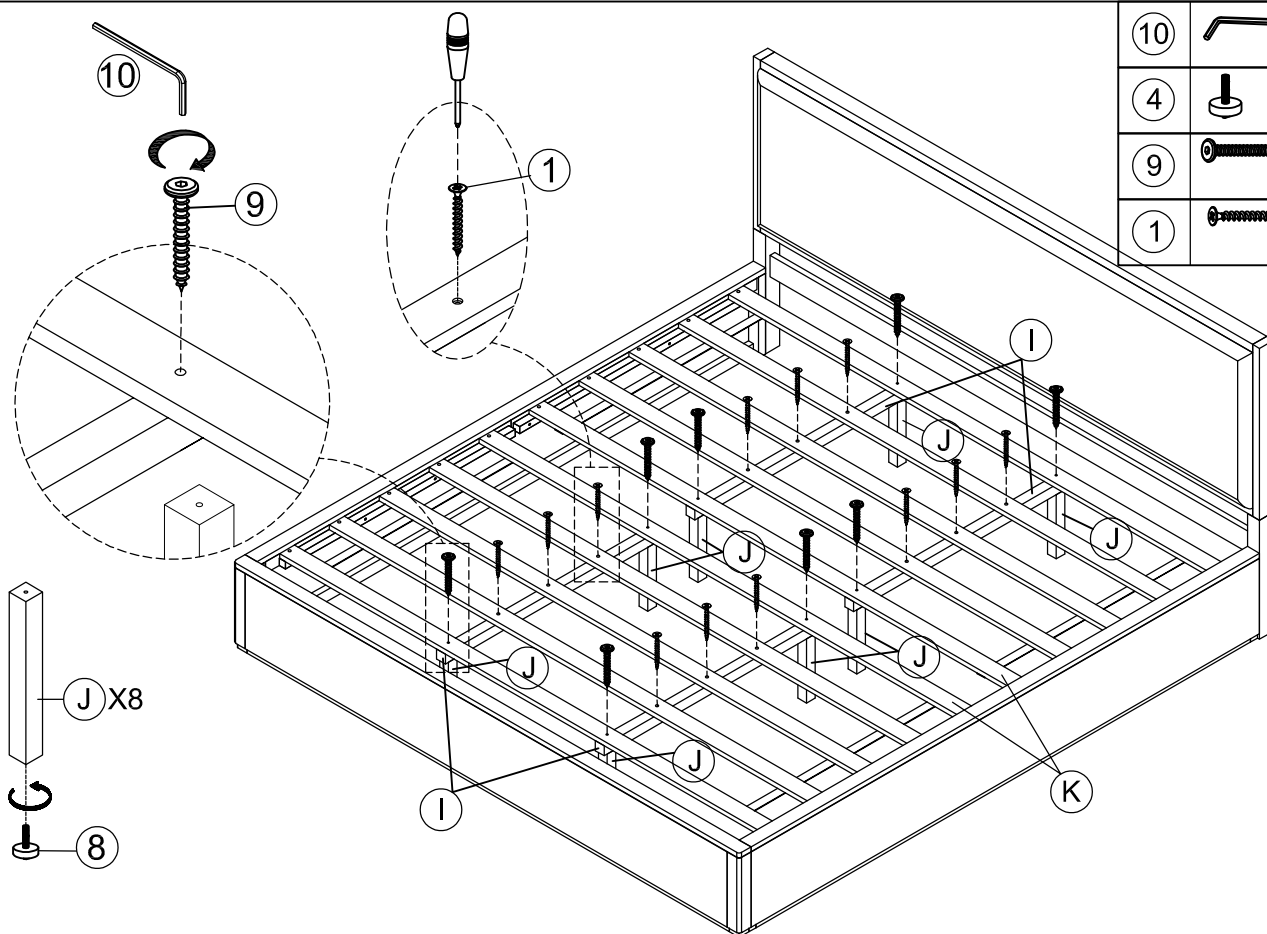
①  20PCS



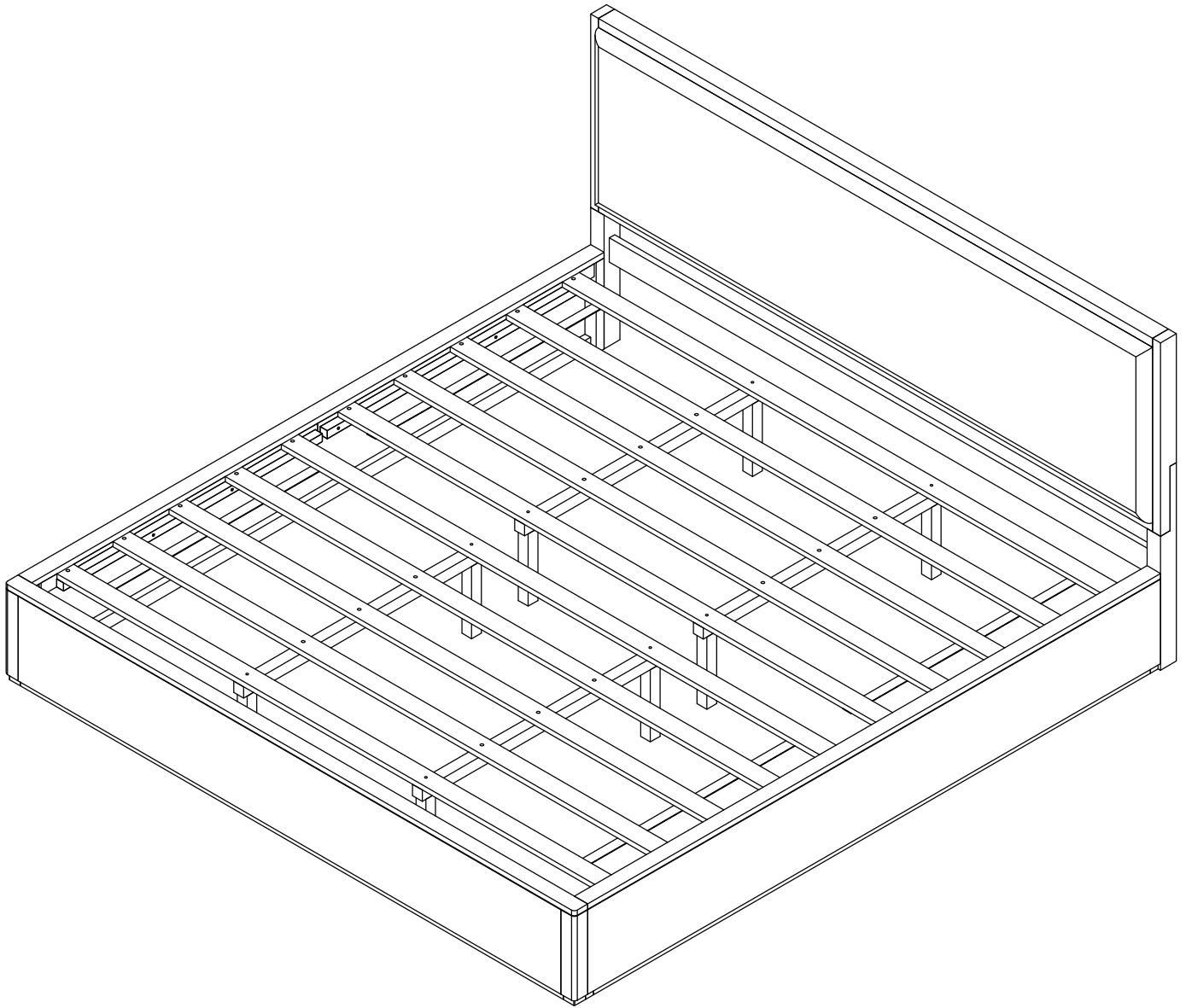
- Attach Slats (K) to the support rails (F) use Screwdriver tightened screw (1) as shown.

Step 7:

⑩  1PCS
 ④  8PCS
 ⑨  8PCS
 ①  12PCS



- Attach Leveler (8) with Center support leg (J) as shown. Attach Center support leg (J) to the Center support slats (I) to slats (K) using Bolt (8) with Allen Wrench (10) as shown.
 - Attach Center support slats (I) to slats (K) using screw (1) as shown.



Inspect the Bed and make sure all parts are adequately connected.

Adjust the Levelers to desired height to avoid wobbles.

Your bed is ready for use.

CARE INSTRUCTIONS:

Hardware may loosen overtime. Periodically check that all connections are tight.

Wipe with a soft, dry cloth. To protect finish, avoid the use of chemicals and household cleaners.