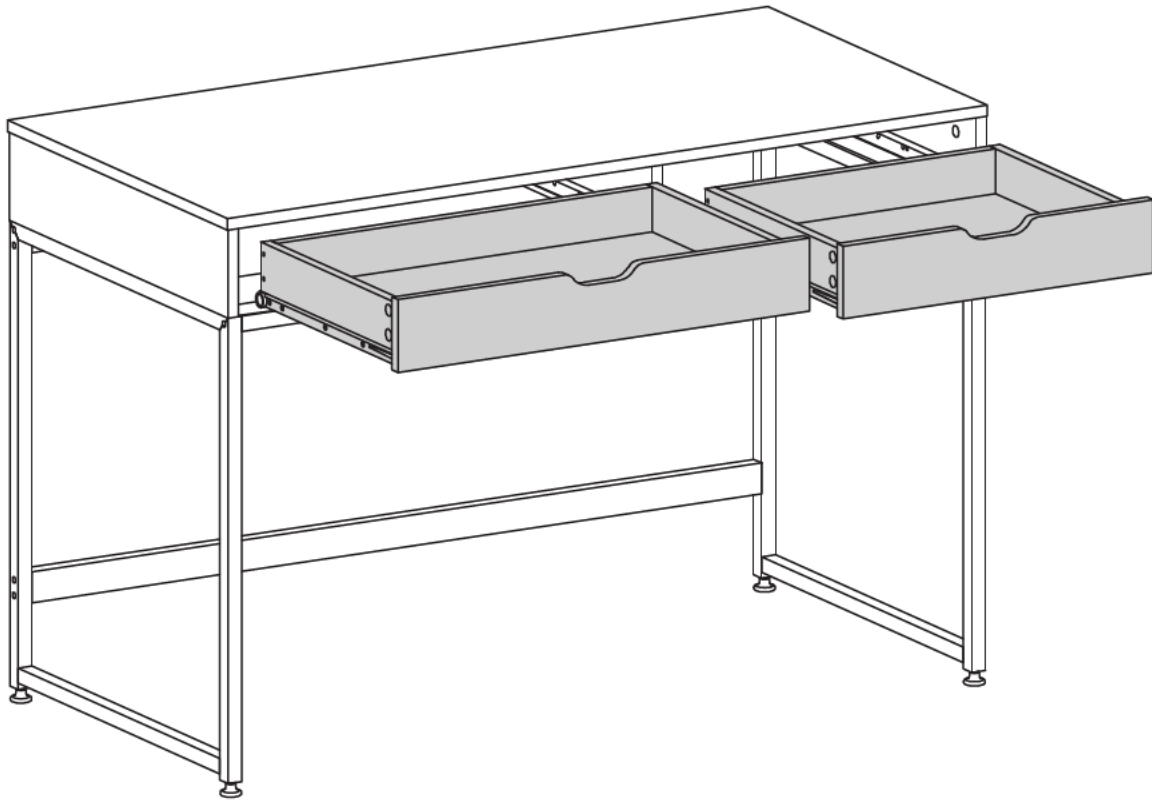


43.3" Desk with Drawers



Know more about



HELPFUL HINTS

! BEFORE YOU START

- Inspect product packaging to ensure the appearance is good.
- Read the assembly instruction carefully and follow it step by step.
- To avoid any scratching, putting a soft blanket on the floor is suggested.
- Identify, sort and count all the parts with tags.
- Find out installation position according to the drawing and install it in correct steps.

! OTHER

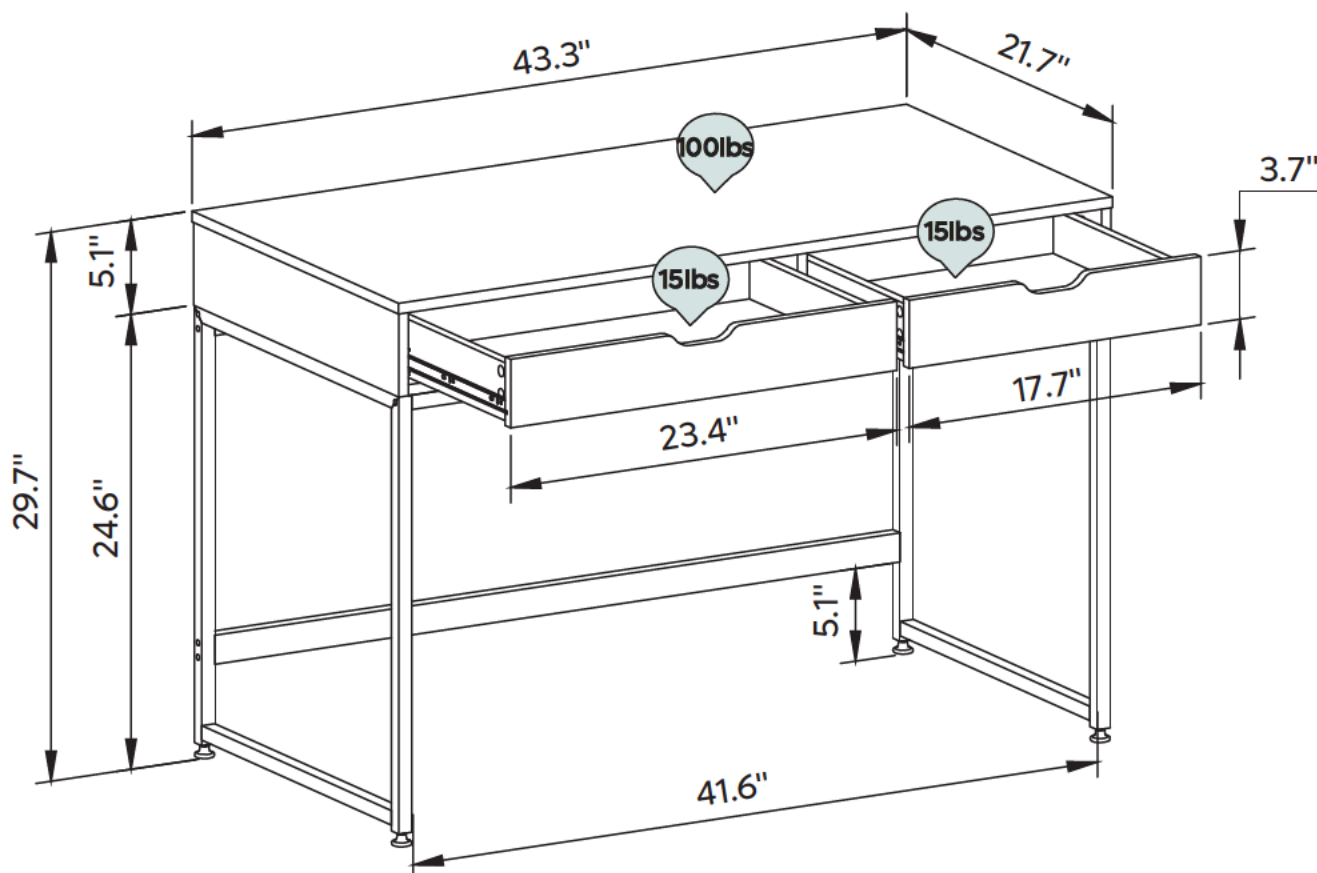
- People needed for assembly: 1-2.
- Estimated assembly time: 0.5-1h.
- An electric drill needed.

! CAUTION

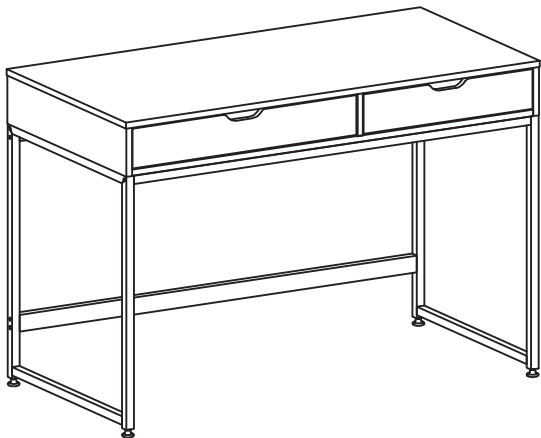
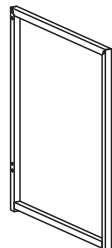



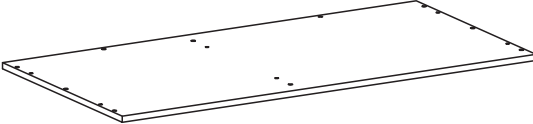
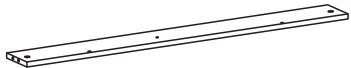
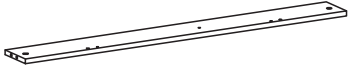

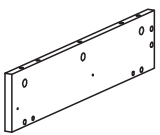
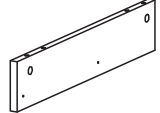
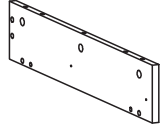
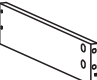


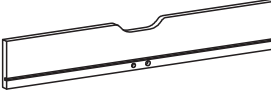
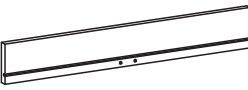



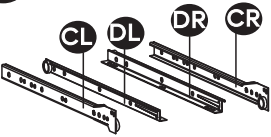

- Be cautious when using a power drill or power screwdriver.
- Please be aware to slow down and stop when screw is nearly tight.
- Do Not use any harsh chemicals or abrasive cleaners for this item.
- Push, pull or drag this item carefully.

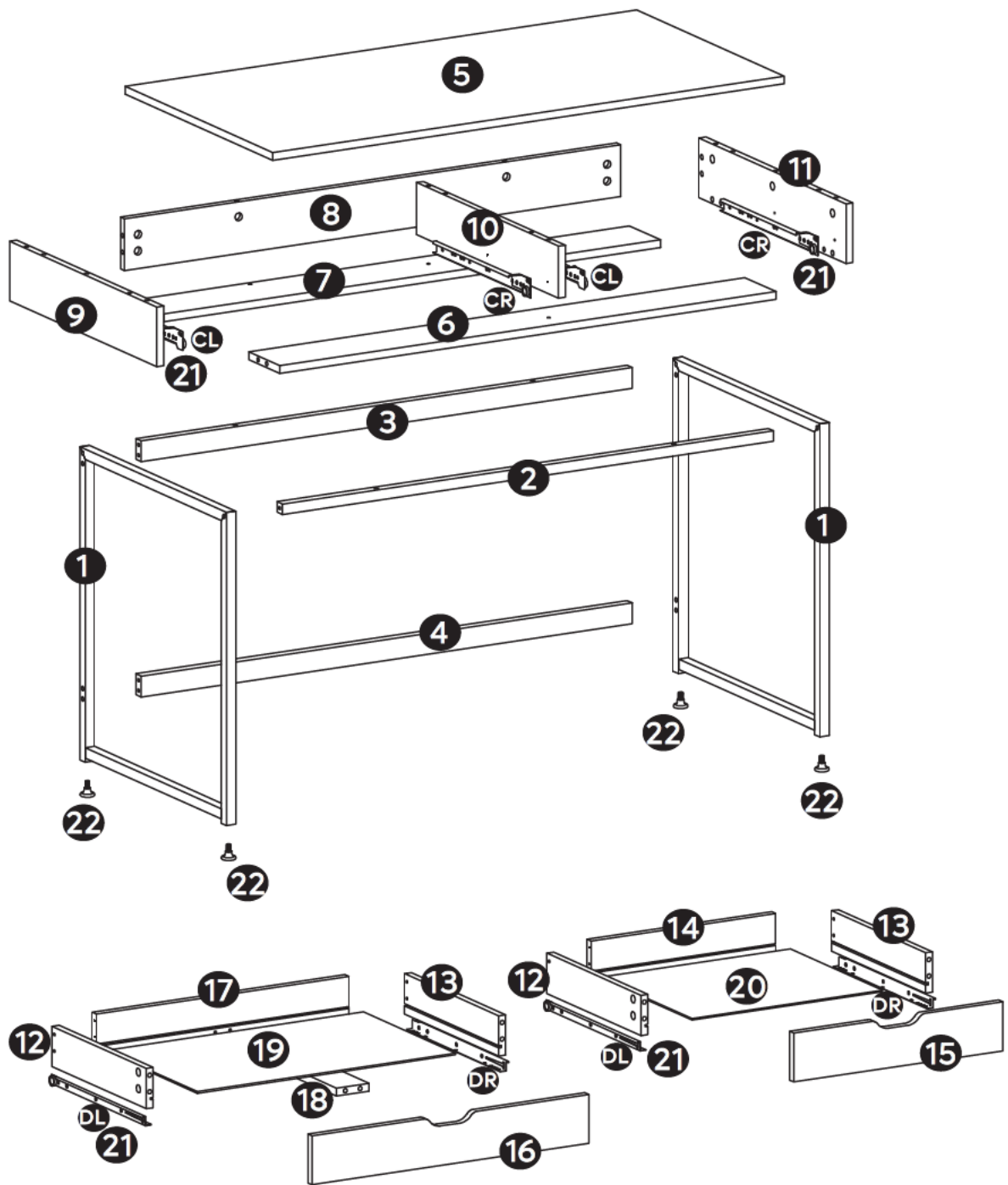
DETAILS

UNIT : INCH










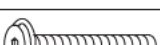


PART LIST

	<p>1</p>  <p>X2</p>	<p>2</p>  <p>X1</p>	
	<p>3</p>  <p>X1</p>	<p>4</p>  <p>X1</p>	
<p>5</p>  <p>X1</p>	<p>6</p>  <p>X1</p>	<p>7</p>  <p>X1</p>	
<p>8</p>  <p>X1</p>	<p>9</p>  <p>X1</p>	<p>10</p>  <p>X1</p>	<p>11</p>  <p>X1</p>
<p>12</p>  <p>X2</p>	<p>13</p>  <p>X2</p>	<p>14</p>  <p>X1</p>	<p>15</p>  <p>X1</p>
<p>16</p>  <p>X1</p>	<p>17</p>  <p>X1</p>	<p>18</p>  <p>X1</p>	<p>19</p>  <p>X1</p>
<p>20</p>  <p>X1</p>	<p>21</p>  <p>X2</p>	<p>22</p>  <p>X4</p>	

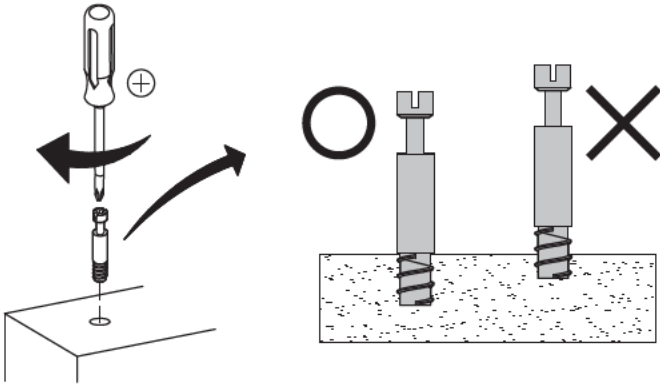


ACCESSORY LIST

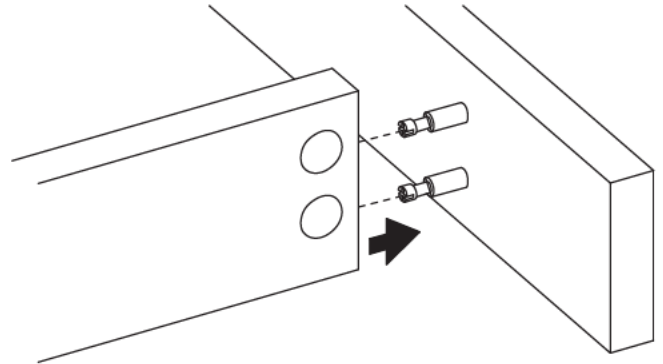
No.	PICTURE	SIZE	QTY	No.	PICTURE	SIZE	QTY
A	 A1  A2	M6x35mm	27	F		M6x50mm	2
B		Ø8x30mm	11	G		ST3.5x40mm	10
C		ST5x40mm	4	H		ST3x14mm	16
D		M6x30mm	2				
E		M6x35mm	10				

Detailed Installation for Accessory A

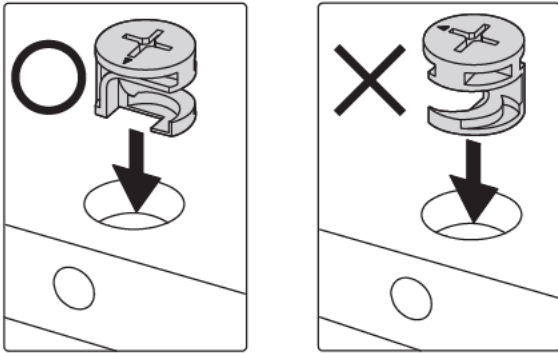
1 Screw cam dowel on the panel.



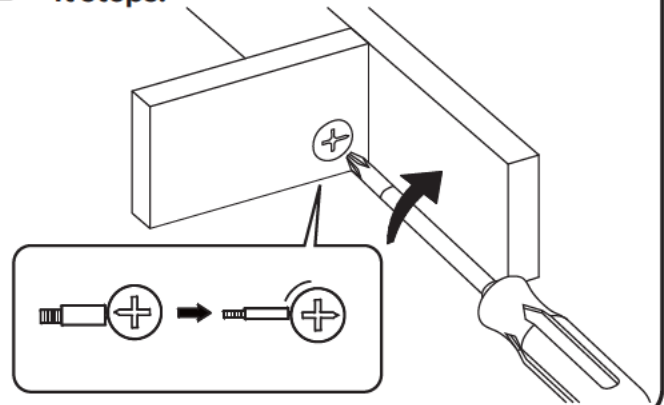
2 Place another panel via the dowel.



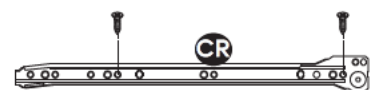
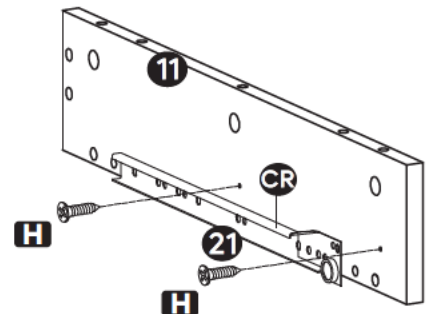
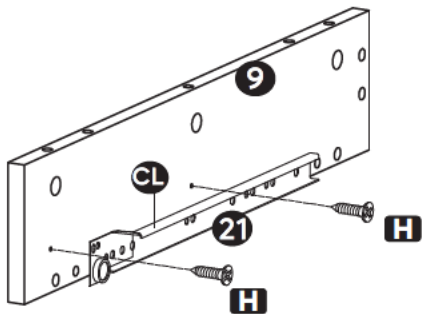
3 Pay attention to the direction of cam lock when putting it into hole.




4 Tighten up cam lock clockwise until it stops.



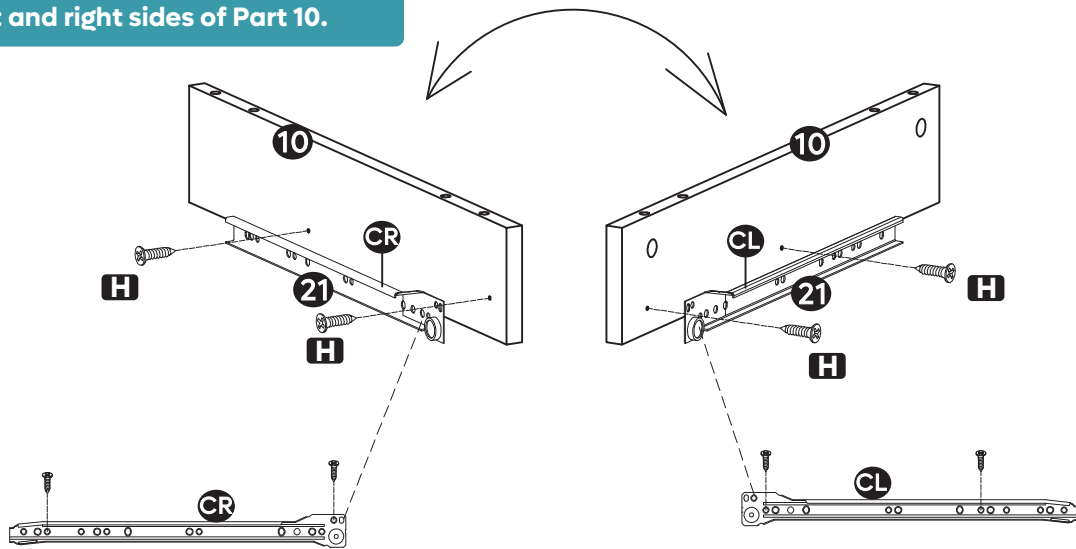
STEP 1




H  ST3x14mm 4

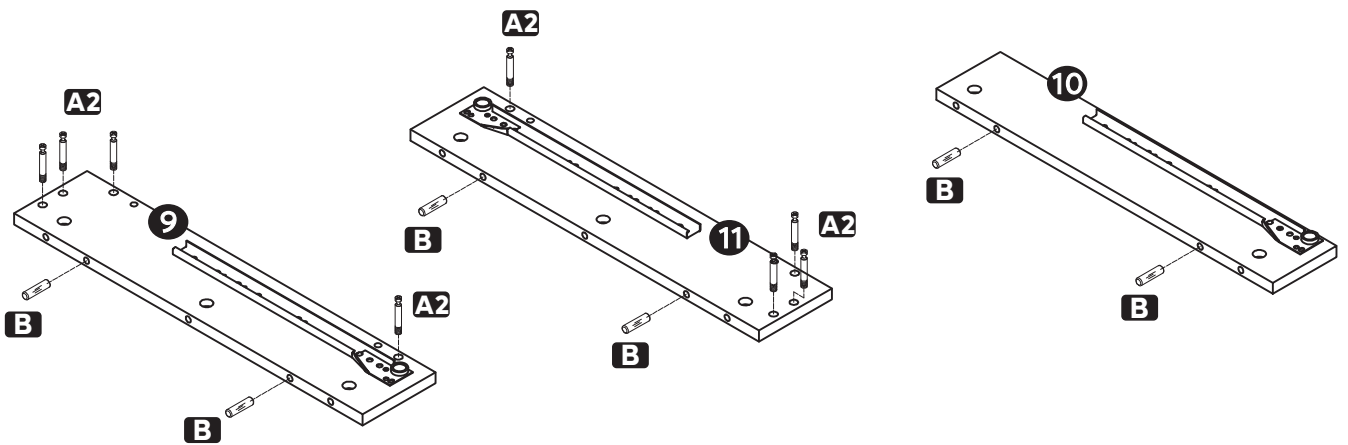
STEP 2


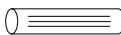
※Two 21(CR,CL) are needed to be installed at the left and right sides of Part 10.



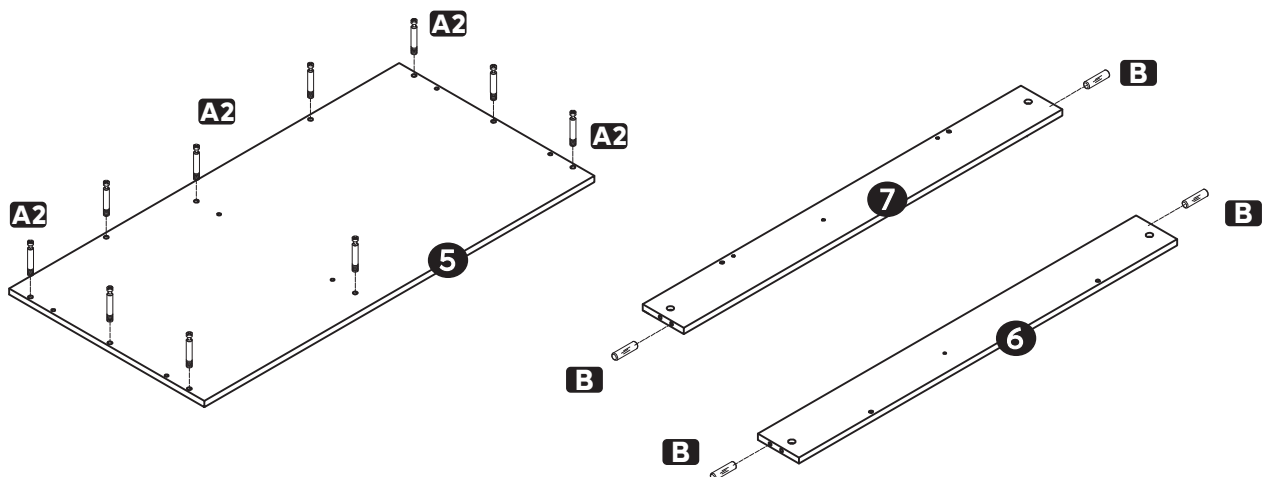
H  ST3x14mm 4


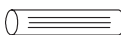
STEP 3



A2  M6x35mm 8 **B**  Ø8x30mm 6

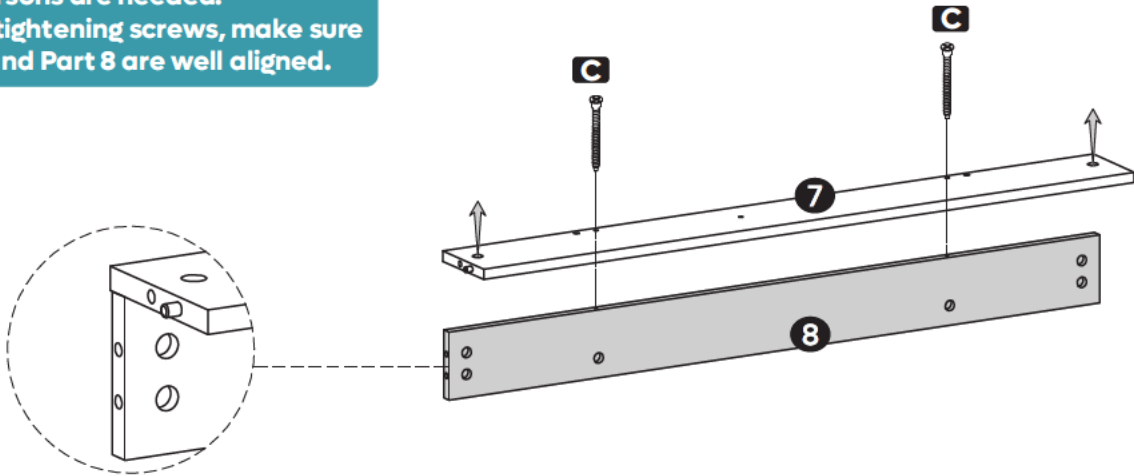
STEP 4



A2  M6x35mm 10 **B**  Ø8x30mm 4

STEP 5

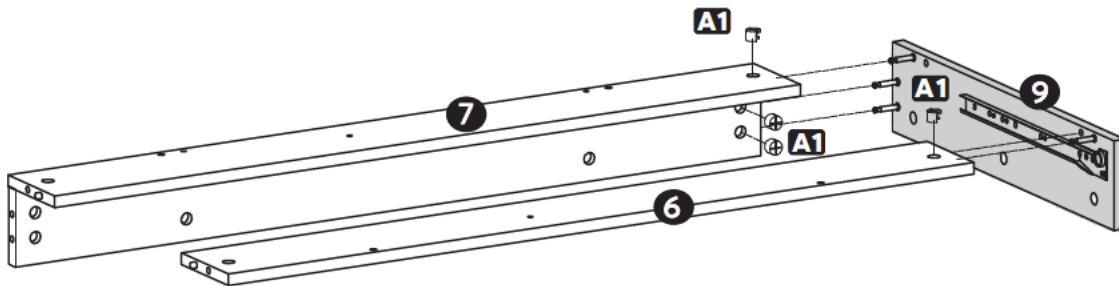
- ※ Two persons are needed.
- ※ Before tightening screws, make sure Part 7 and Part 8 are well aligned.



C  ST5x40mm 2

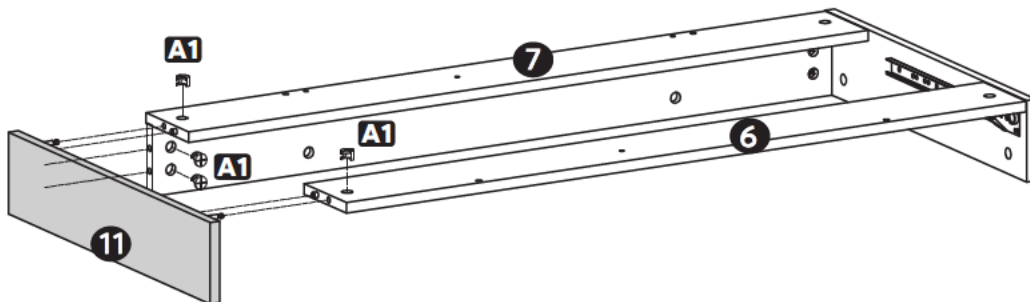
STEP 6

- ※ Two persons are needed. One for holding Part 6 while the other for Part 7.



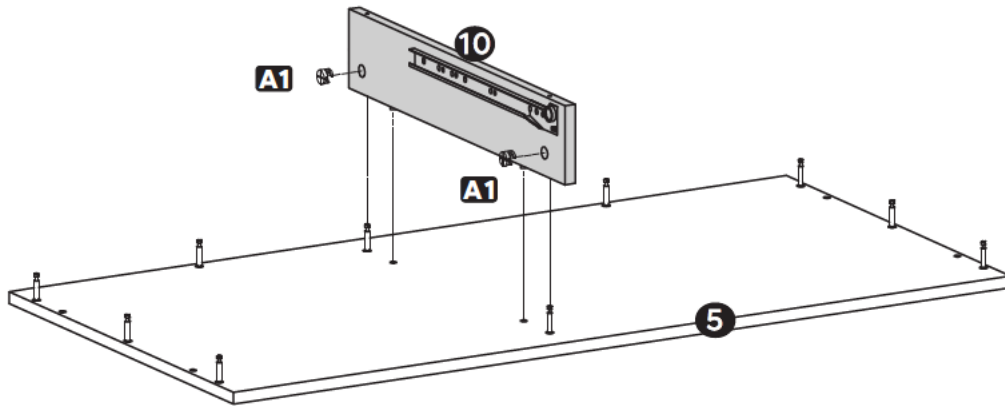
A1  Ø15mm 4

STEP 7



A1  Ø15mm 4

STEP 8



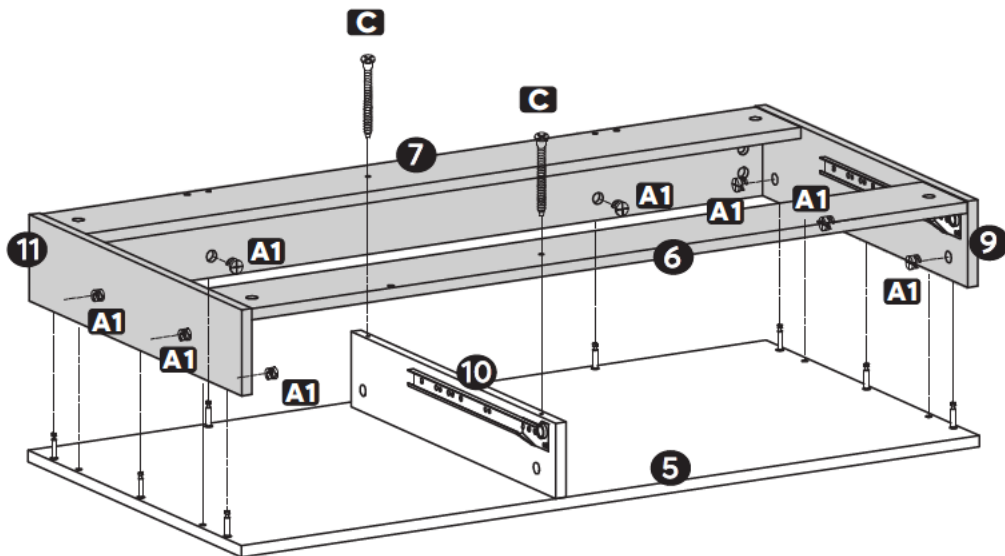
A1



Ø15mm

2

STEP 9



A1



M6x35mm

8

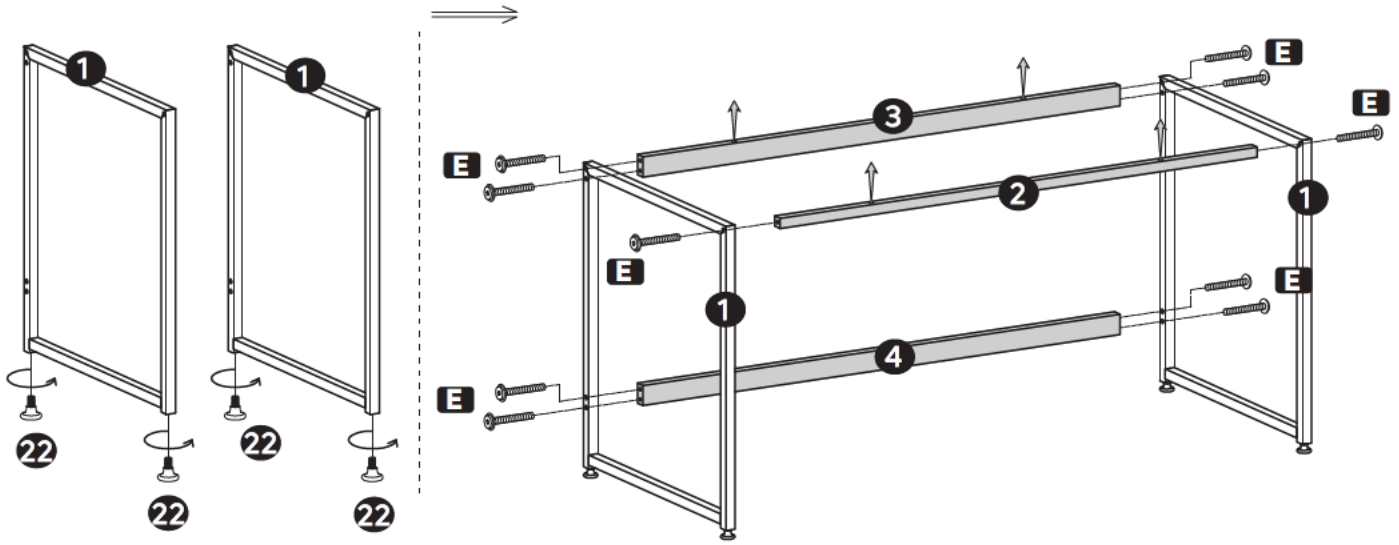
C



ST5x40mm

2

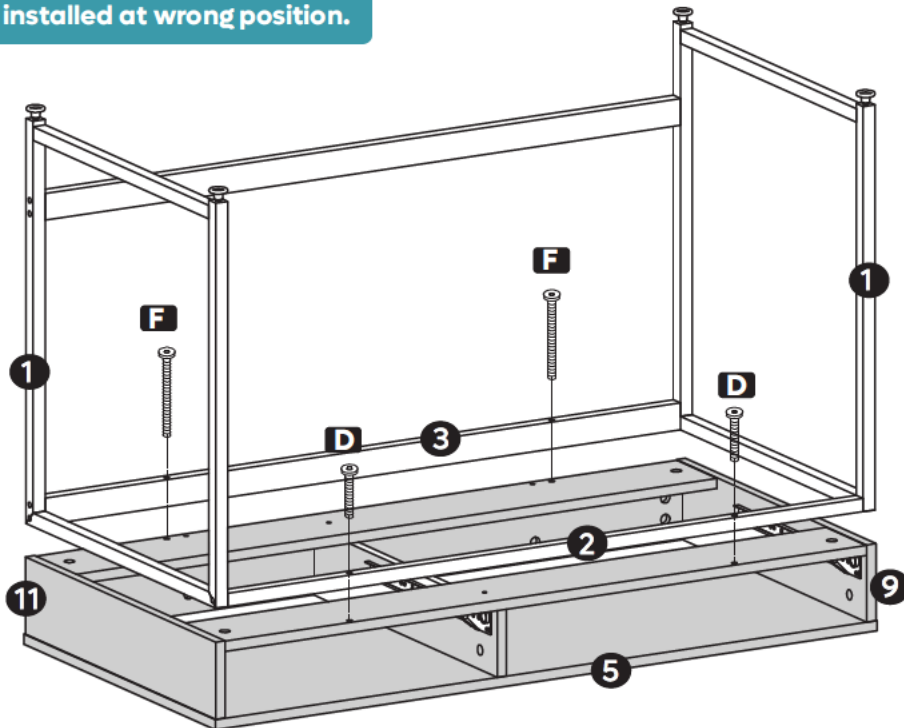
STEP 10

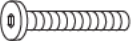


E  M6x35mm 10

STEP 11

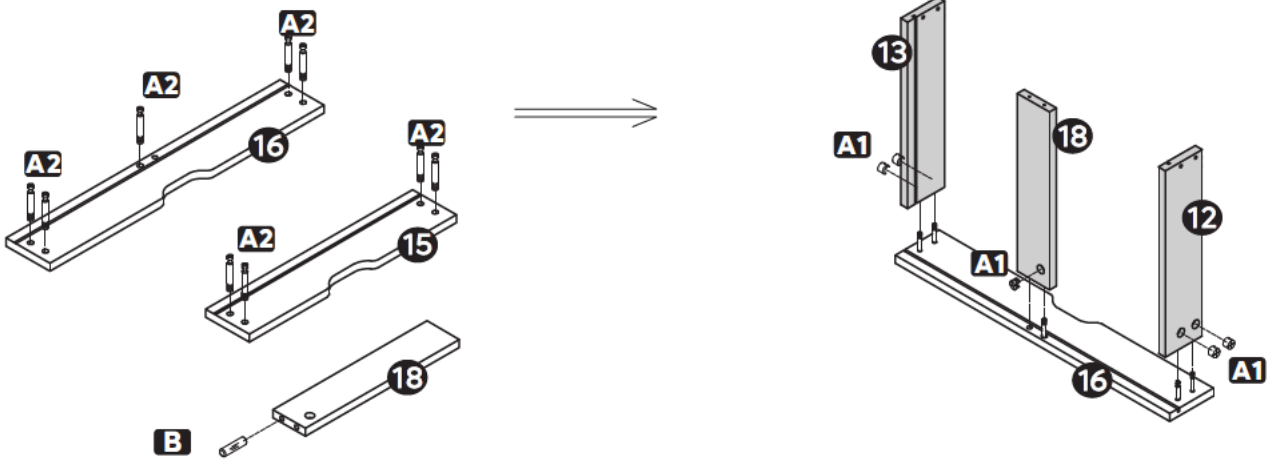
※ Attention: Board would get damaged if Screw F and Screw D are installed at wrong position.



D  M6x30mm 2

F  M6x50mm 2

STEP 12

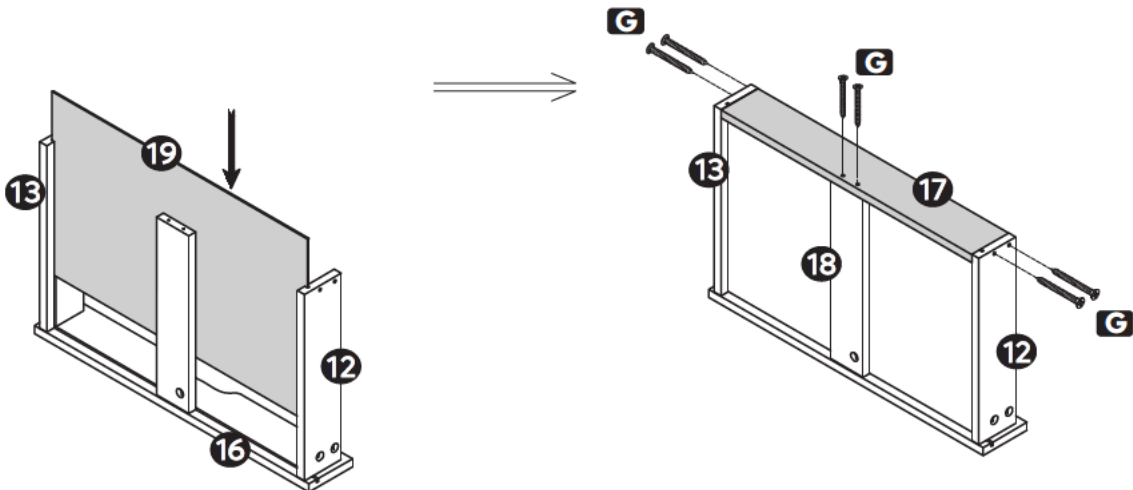


A1  Ø15mm 5

A2  M6x35mm 9

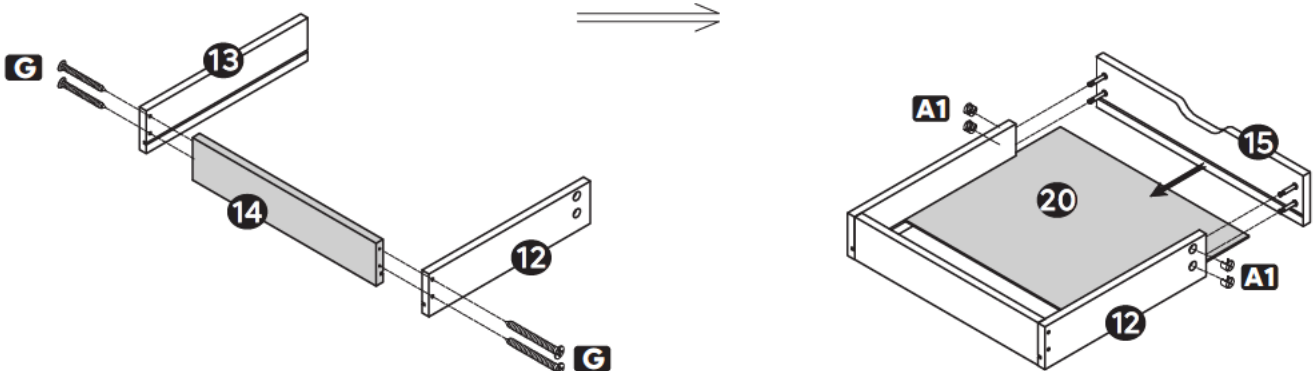
B  Ø8x30mm 1

STEP 13




G  ST3.5x40mm 6

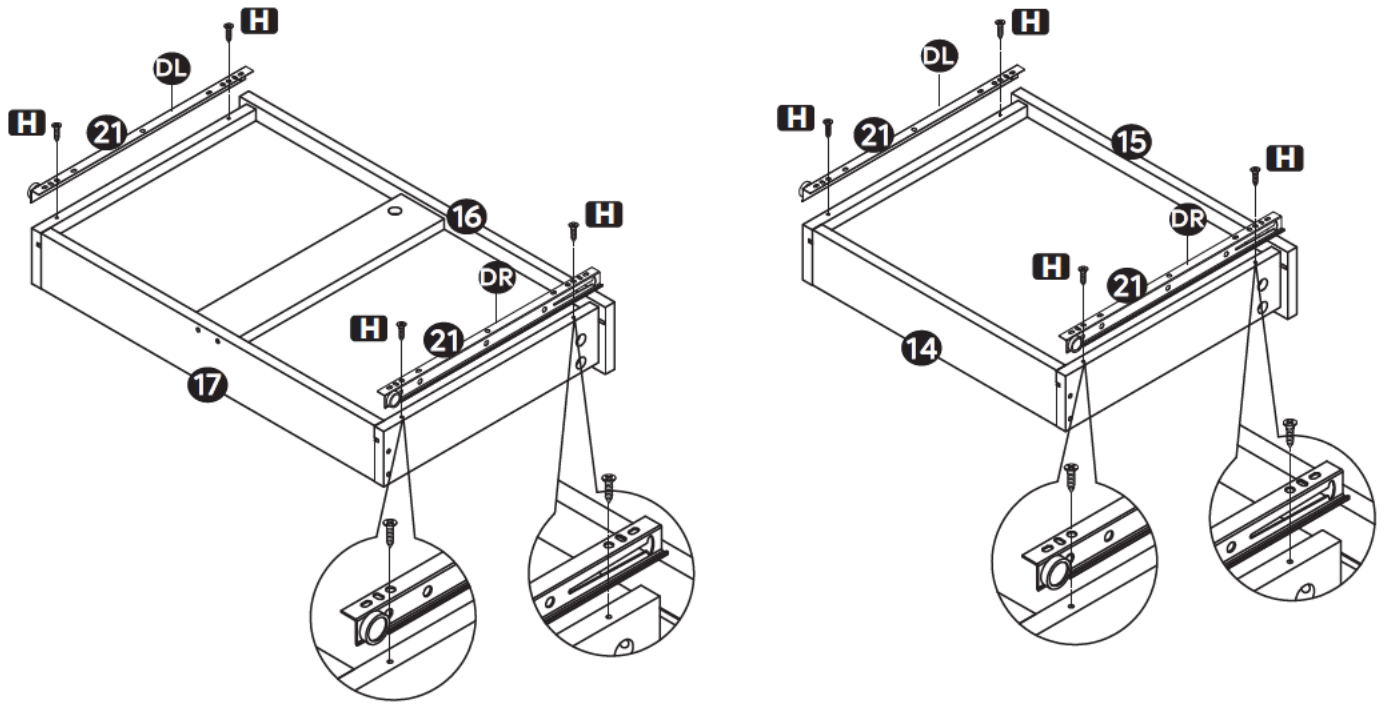
STEP 14




G  ST3.5x40mm 4

A1  Ø15mm 4

STEP 15



H  ST3x14mm 8

STEP 16

