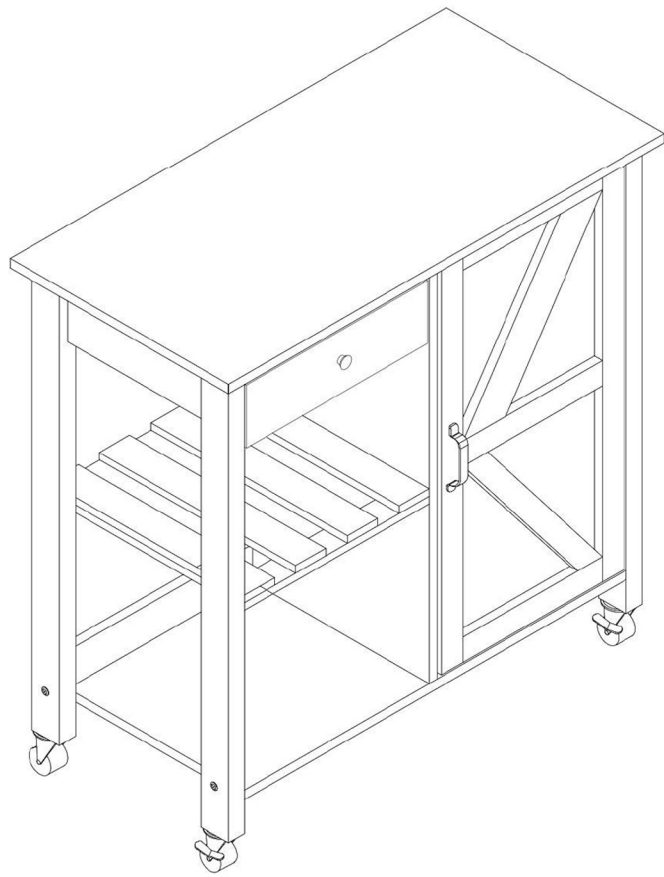
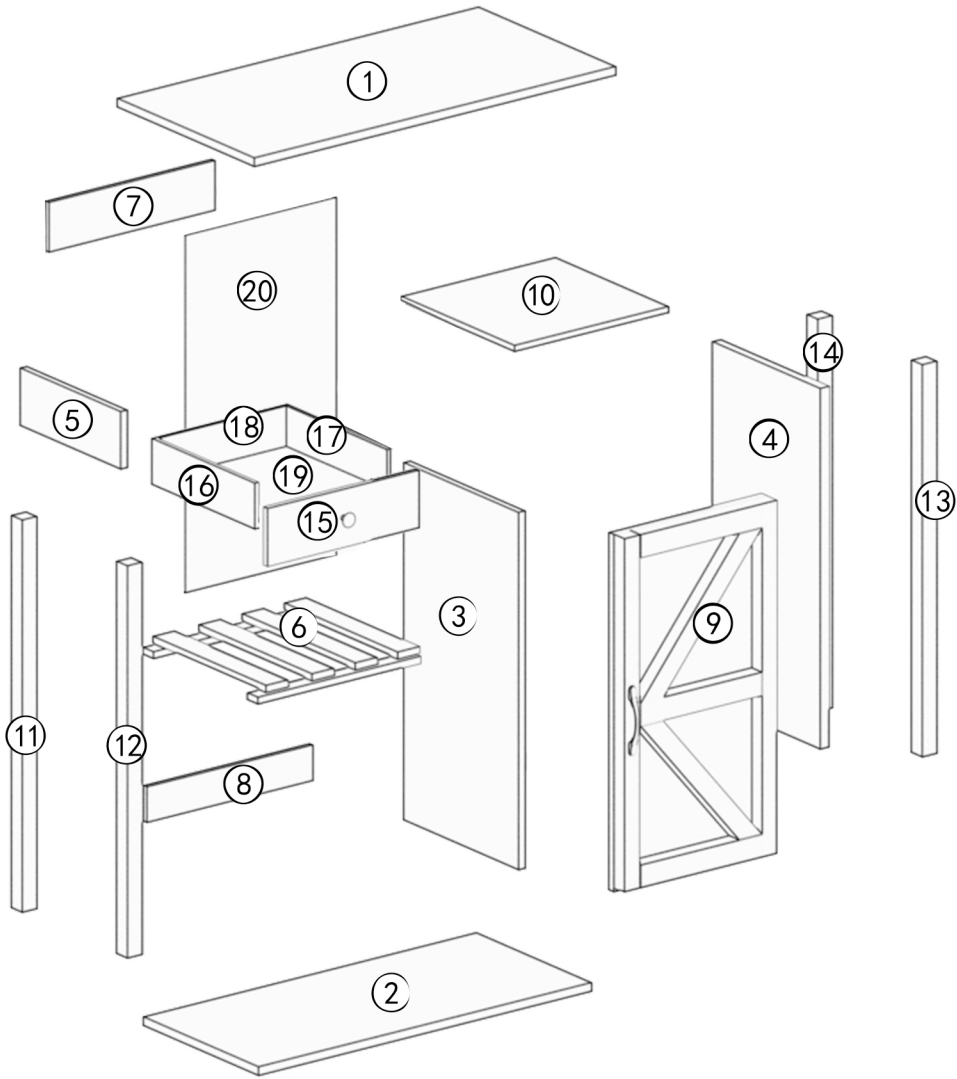


**USER'S MANUAL**  
**Farmhouse Kitchen Island**

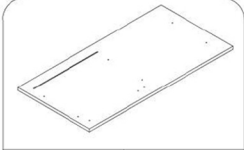
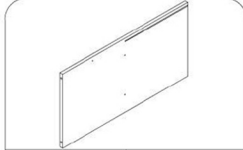
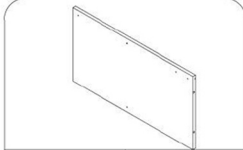
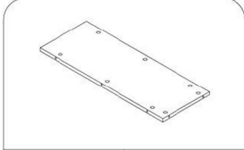
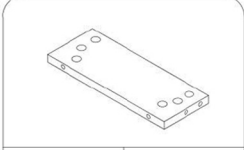
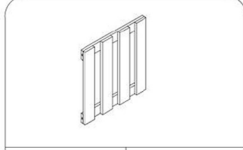
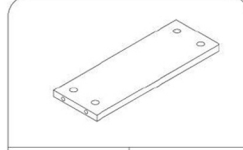
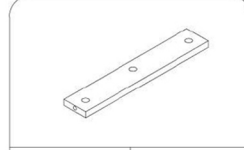
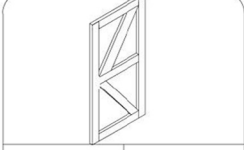
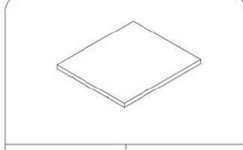
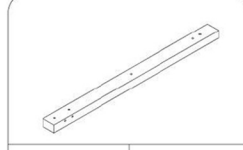
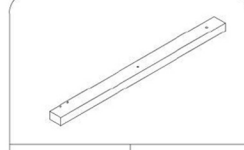
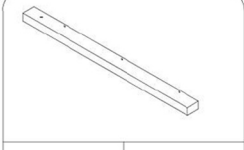
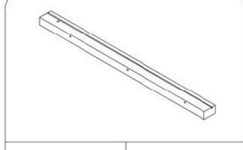
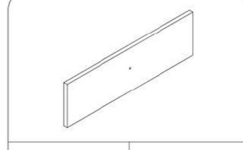
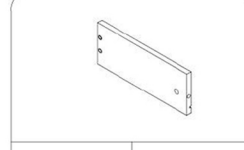
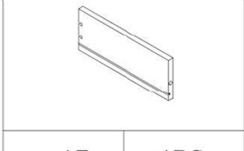
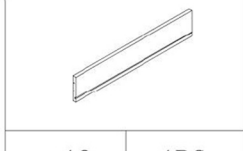
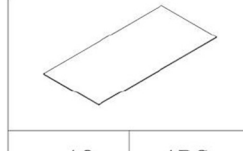
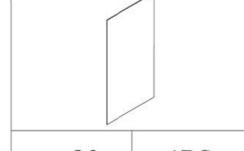
**SKU: 097028 / 301173**



# BOARD IDENTIFICATION



# Part List

			
1   1PC	2   1PC	3   1PC	4   1PC
Desktop Board	Bottom Board	Middle Board	Right Board
			
5   1PC	6   1PC	7   1PC	8   1PC
Shelf			
			
9   1PC	10   1PC	11   1PC	12   1PC
Adjustable Shelf			
			
13   1PC	14   1PC	15   1PC	16   1PC
Front Board of Drawer		Left Board of Drawer	
			
17   1PC	18   1PC	19   1PC	20   1PC
Right Board of Drawer	Back Board of Drawer	Bottom Board of Drawer	Back Board

# Hardware List

C 6PCS	D 1PC	E 1PC	F 4PCS
G 12PCS	H 1Set	I 1Set	J 1PC
Right side		Left side	
K 2PCS	L 1PC	M 2PCS	N 4PCS
O 4PCS	P 2PCS	Q 2PCS	R 4PCS
Locked		Unlocked	

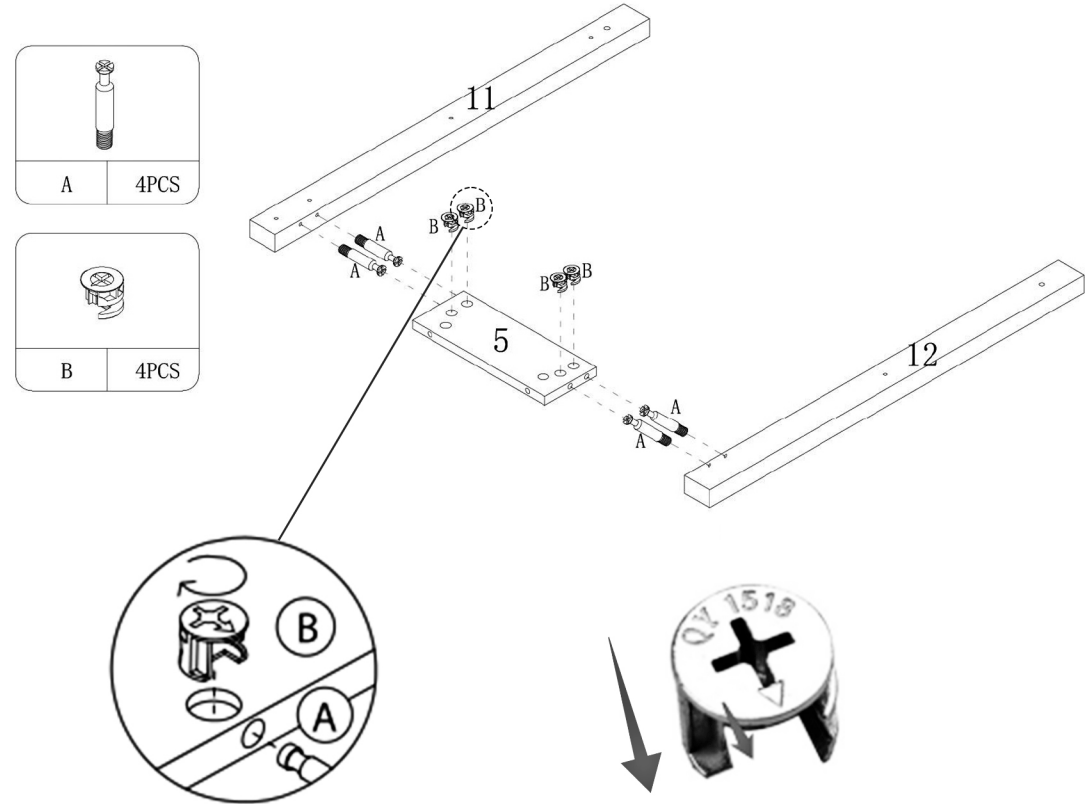
## REPLACEMENT PARTS

We are devoted to provide the best products and services for customers. Please contact us via the **“Contact seller”** button in the detail page of your order for any concern and we'll response as soon as possible.

# Product Assembly

## STEP 1

Insert cam bolt (A) to part (11, 12) with screwdriver.  
 Attach Part (11,12) into part (5) through bolt (A).  
 Insert and secure cam lock (B) to part (5) to lock part (11,12).



Be careful not to over tighten.

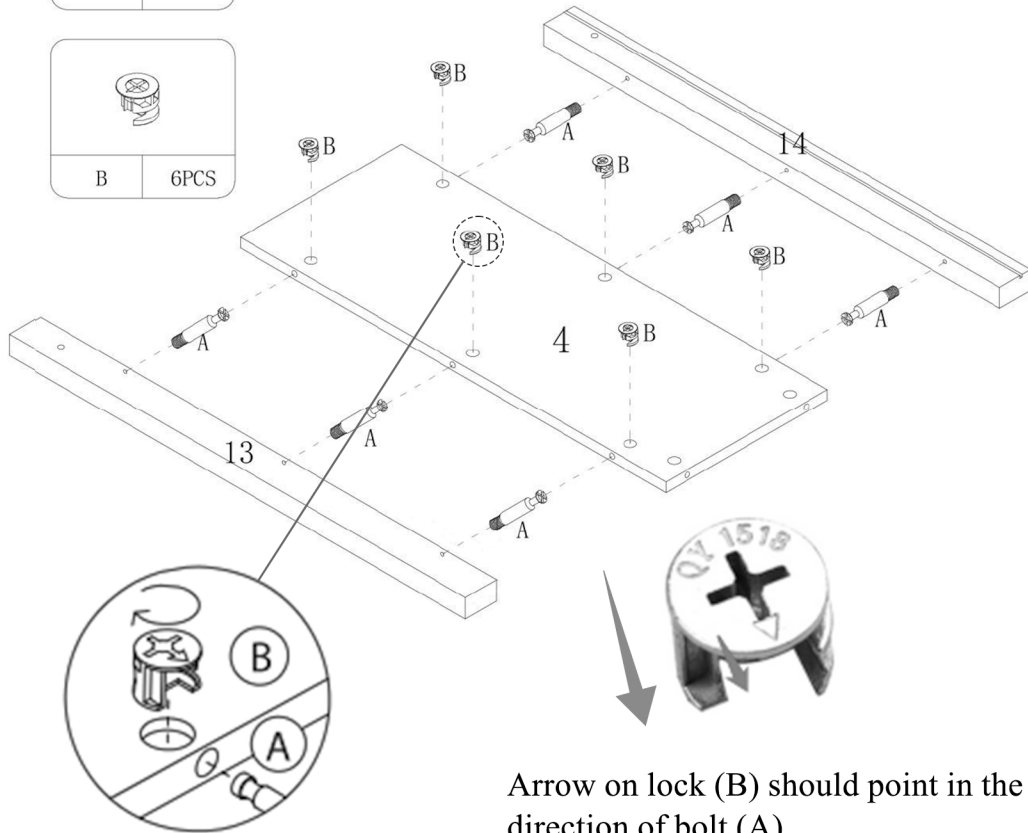
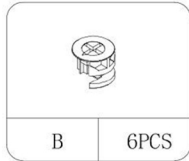
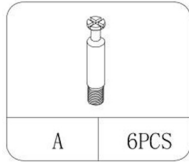
Arrow on lock (B) should point in the direction of bolt (A).

## STEP 2

Insert cam bolt (A) to part (13, 14) with screwdriver.

Attach Part (13,14) into part (4) through bolt (A).

Insert and secure cam lock (B) to part (4) to lock part (13,14).



Arrow on lock (B) should point in the direction of bolt (A).

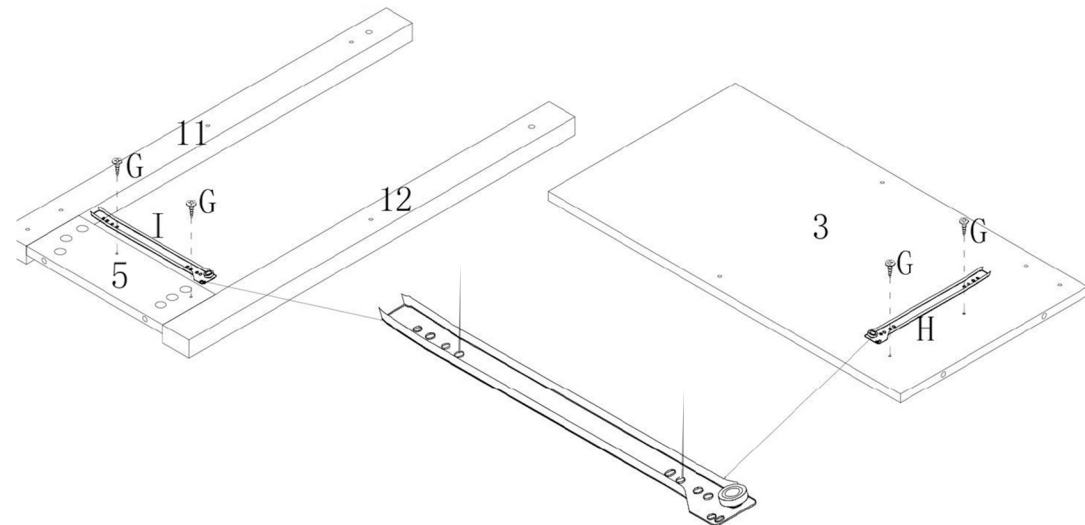
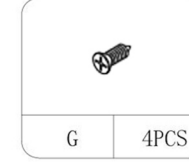
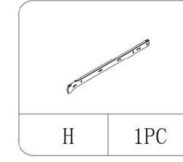
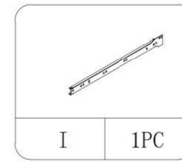
Be careful not to over tighten.

## STEP 3

Screws and rails like in the picture, wheels of rail (I) towards part (12)

Attach rail (I) to part (5) using 2 screw (G)s.

Attach rail (H) to part (3) using 2 screw (G)s.

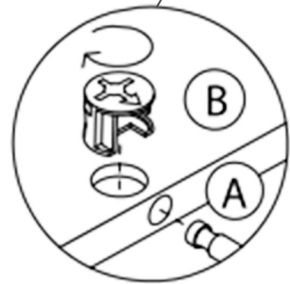
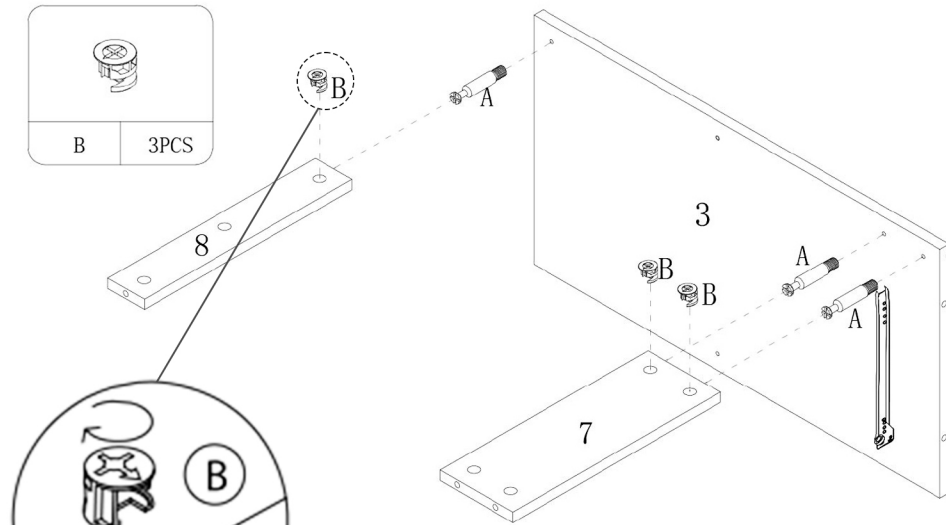
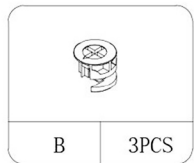
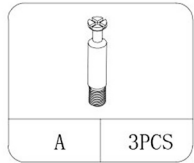


# STEP 4

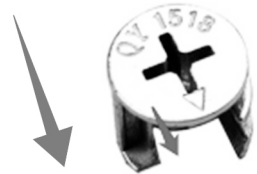
Insert cam bolt (A) to part (3) with screwdriver.

Attach Part (7,8) into part (3) through bolt (A).

Insert and secure cam lock (B) to part (7,8) to lock part (3).



Be careful not to over tighten.



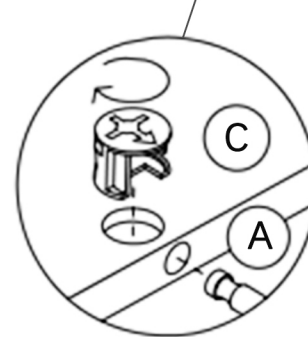
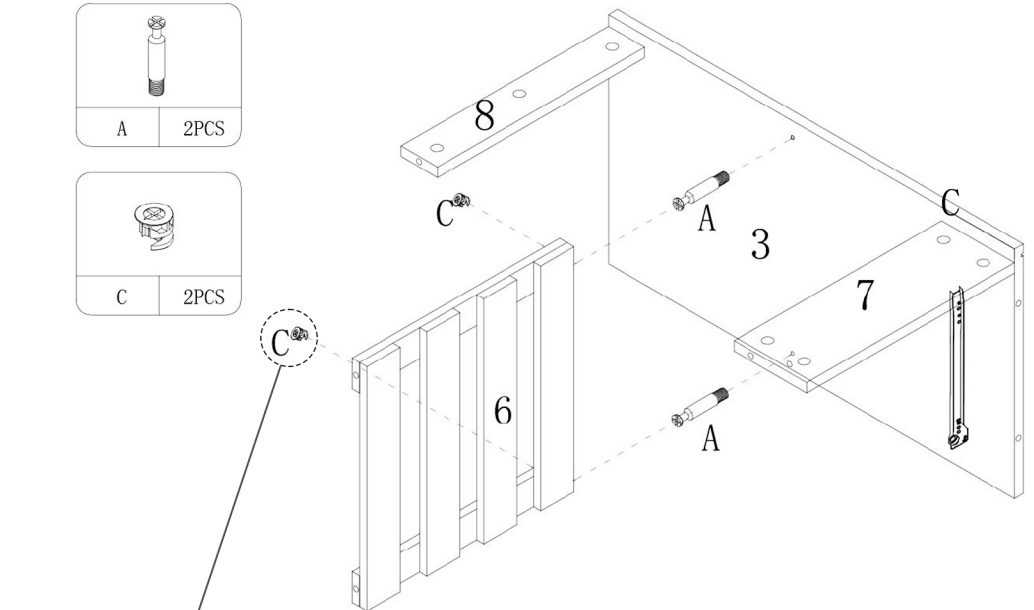
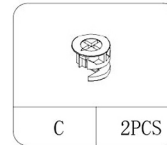
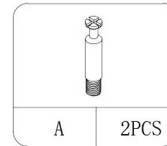
Arrow on lock (B) should point in the direction of bolt (A)..

# STEP 5

Insert cam bolt (A) to part (3) with screwdriver.

Attach Part (3) into part (6) through bolt (A).

Insert and secure cam lock (C) to part (6) to lock part (3).



Be careful not to over tighten.



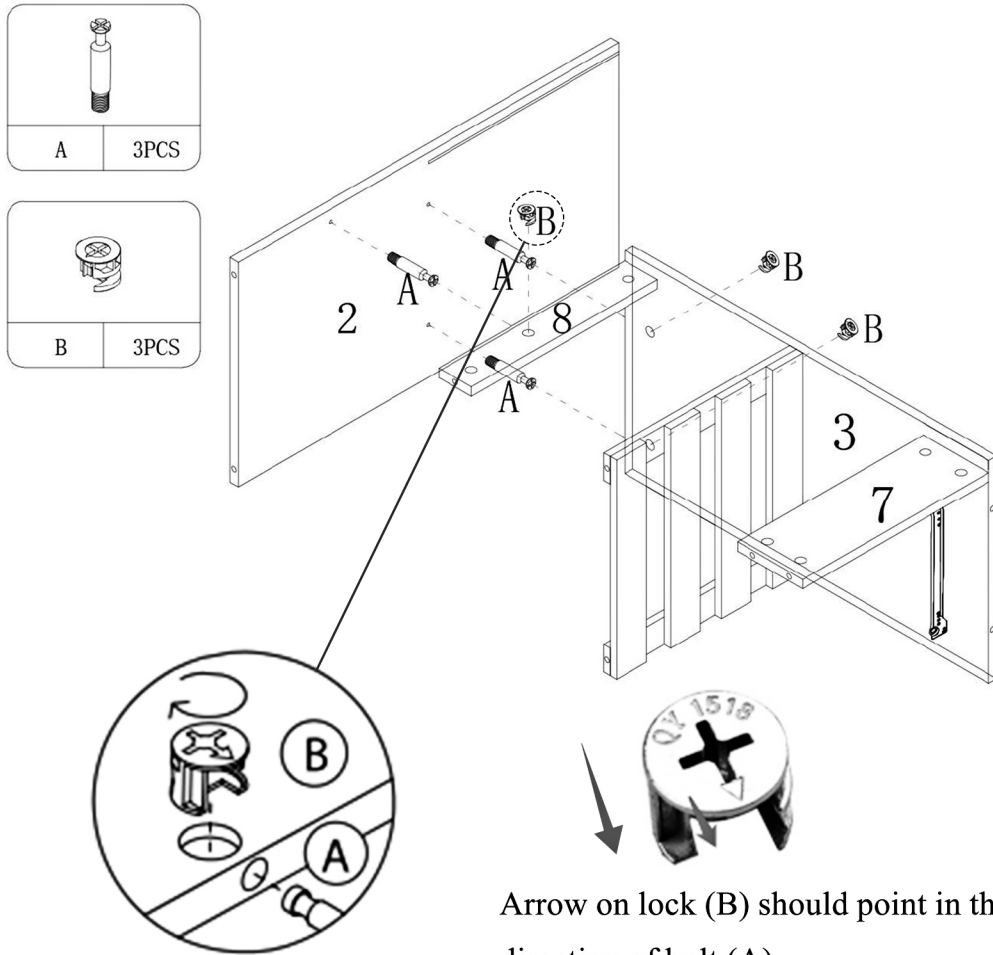
Arrow on bolt (C) should point in the direction of bolt (A).

## STEP 6

Insert cam bolt (A) to part (2) with screwdriver.

Attach Part (2) into part (3,8) through bolt (A).

Insert and secure cam lock (B) to part (3,8) to lock part (2).



Be careful not to over tighten.

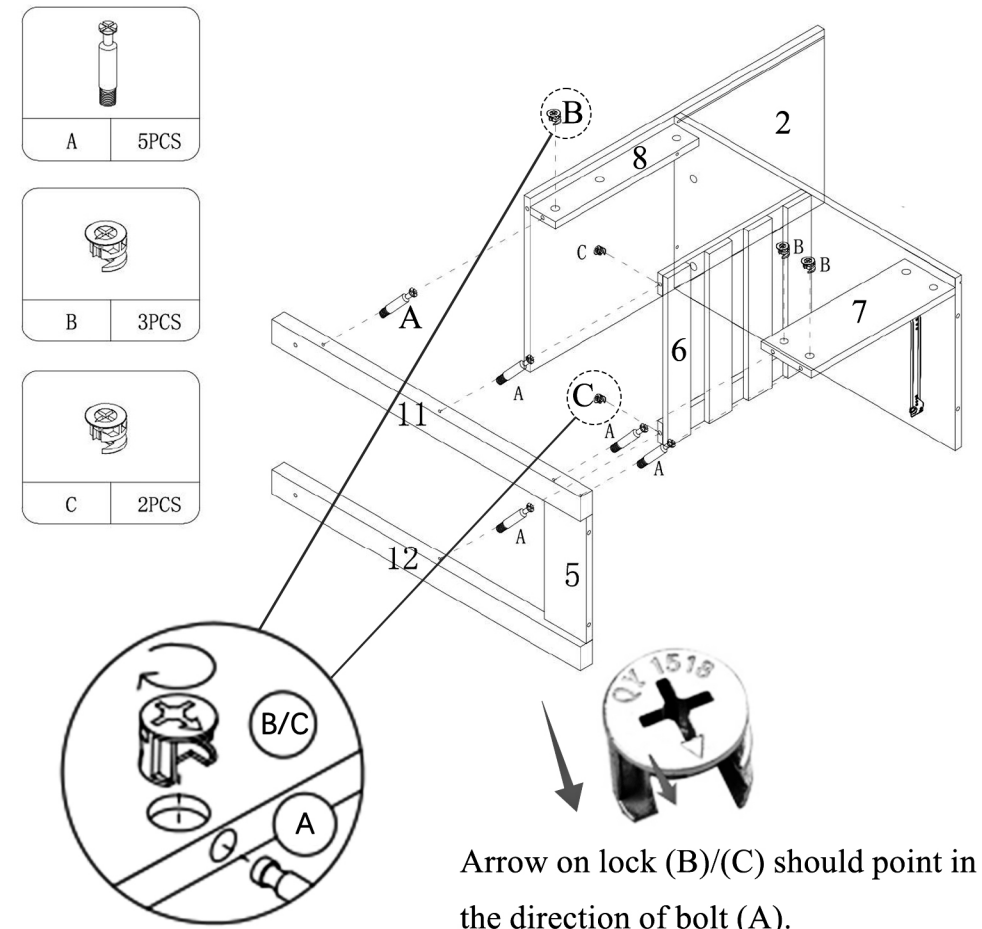
## STEP 7

Insert cam bolt (A) to part (11,12) with screwdriver.

Attach Part (11,12) into part (6,7,8) through bolt (A).

Insert and secure cam lock (B) to part (7,8) to lock part (11).

Insert and secure cam lock (C) to part (6) to lock part (11,12).

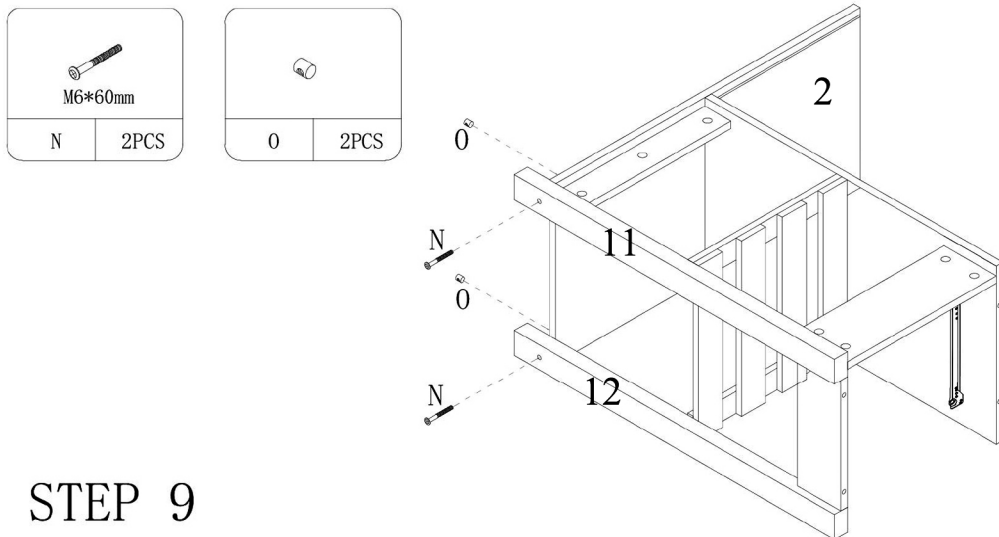


Be careful not to over tighten.

## STEP 8

Put part (O) into part (2).

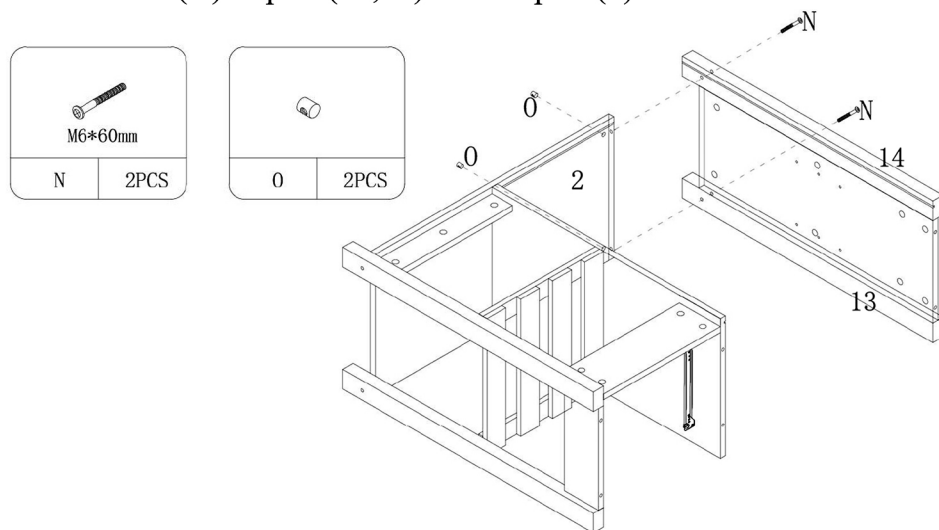
Insert screw (N) to part (11,12) to lock part (2) with screwdriver.



## STEP 9

Put part (O) into part (2).

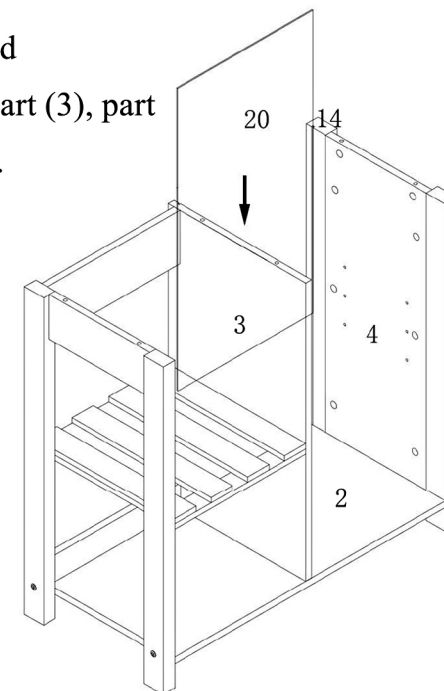
Insert screw (N) to part (13,14) to lock part (2) with screwdriver.



## STEP 10

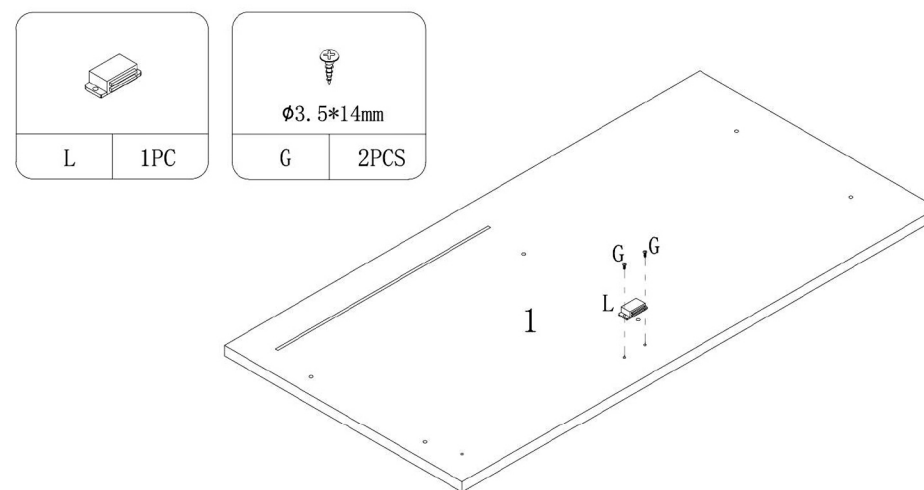
Stand up the whole kitchen island

Slide part (20) into grooves of part (3), part (14) and part (2) as per diagram.



## STEP 11

Attach part (L) to part (1) using 2 screw (G)s.

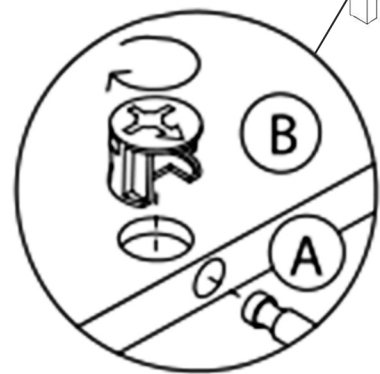
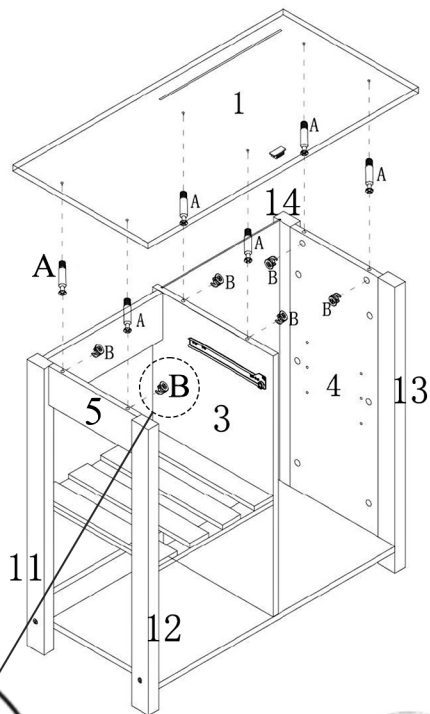
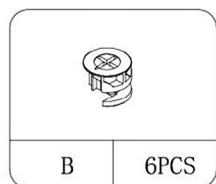
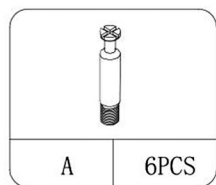


# STEP 12

Insert cam bolt (A) to part (1) with screwdriver.

Attach Part (1) into part (3,4,5) through bolt (A)

Insert and secure cam lock (B) to part (3,4,5) to lock part (1).



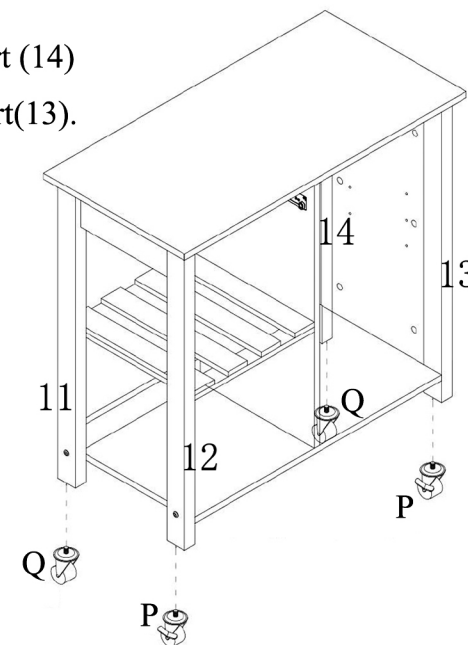
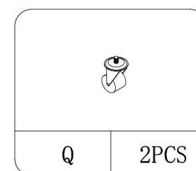
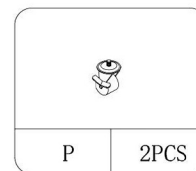
Arrow on lock (B) should point in the direction of bolt (A).

Be careful not to over tighten.

# STEP 13

Install part(Q) on part(11) and part (14)

Install part (P) on part(12) and part(13).

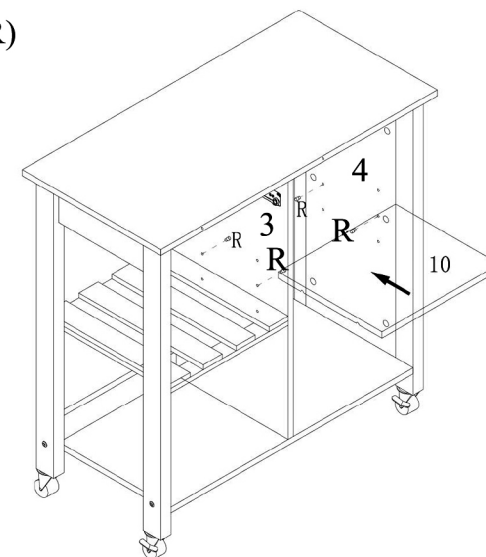
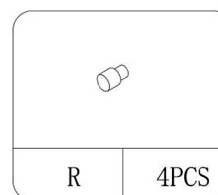


# STEP 14

Insert bolt (R) to part (3,4).

Insert part (10) horizontally between part (3) and part (4)

Put part (10) on top of bolt (R)

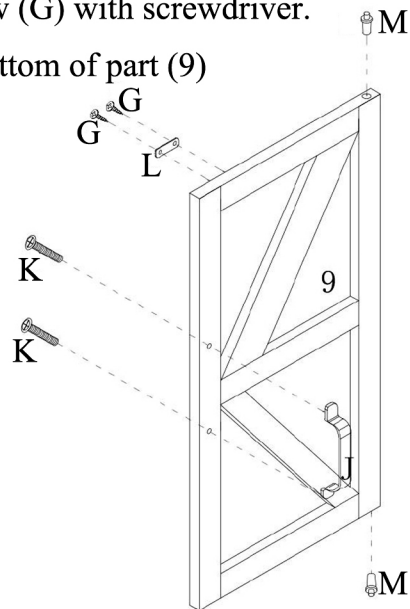
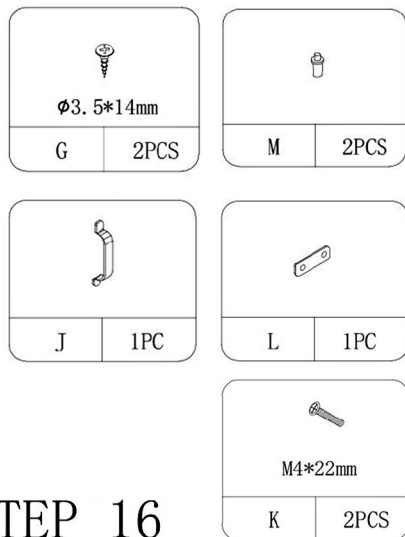


## STEP 15

Attach handle (J) to part (9) using screw (K) with screwdriver .

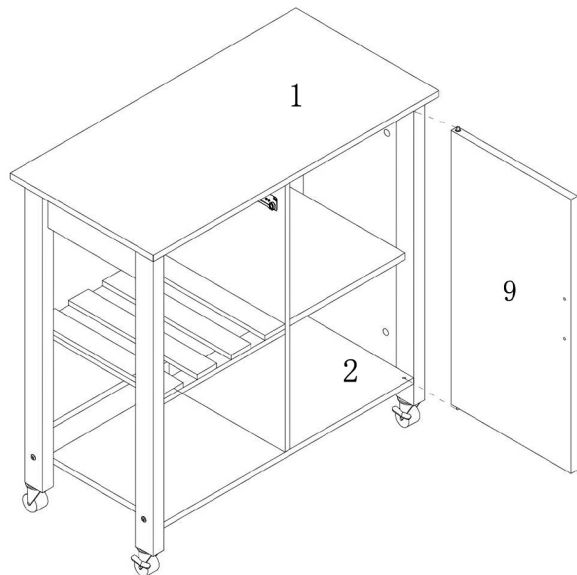
Attach part (L) to part (9) using screw (G) with screwdriver.

Install snap button (M) on top and bottom of part (9)



## STEP 16

Place part (9) between part(1) and part (2) as per diagram

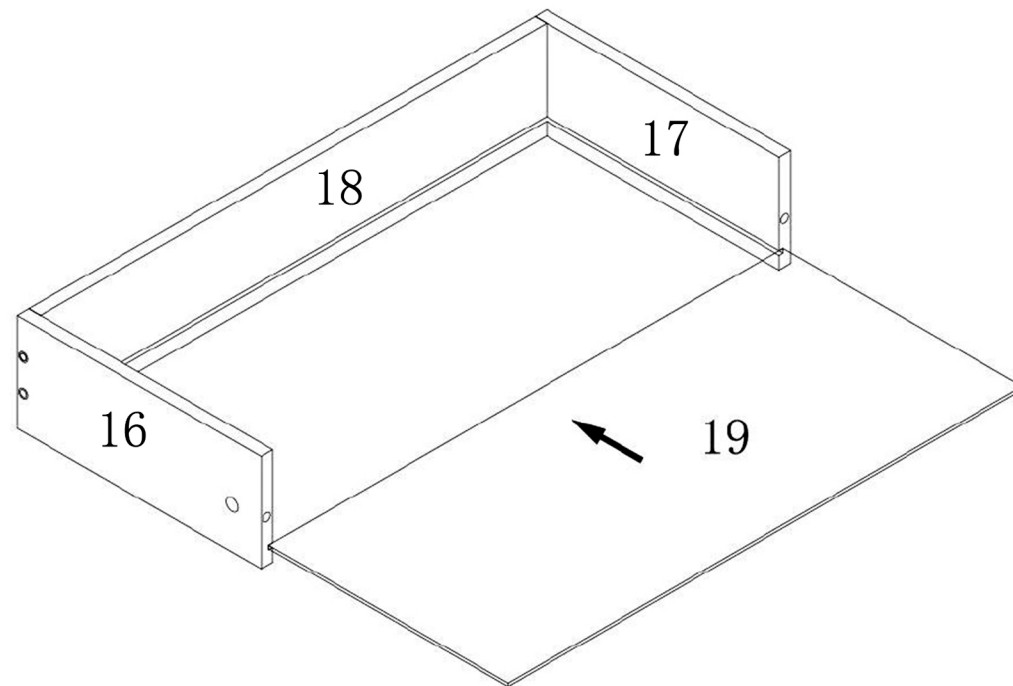
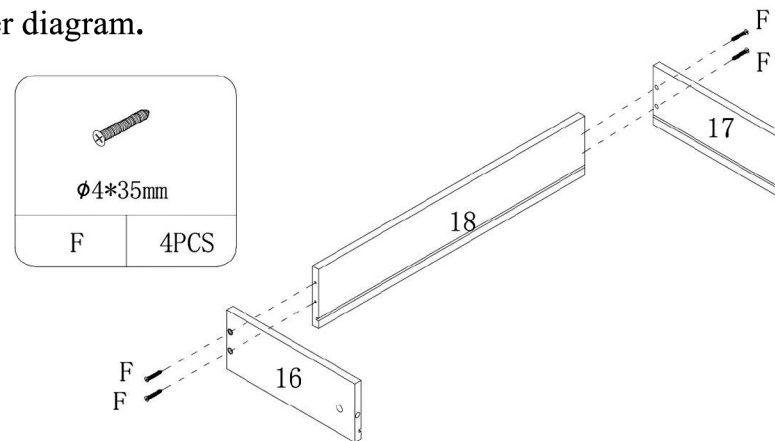


14/18

## STEP 17

Insert screw (F) to part (16,17) to lock part (18) with screwdriver.

Slide part (19) into grooves of part (16), part (17) and part (18) as per diagram.



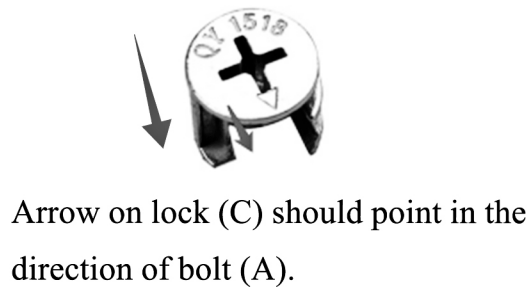
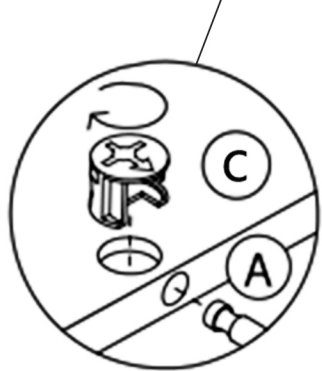
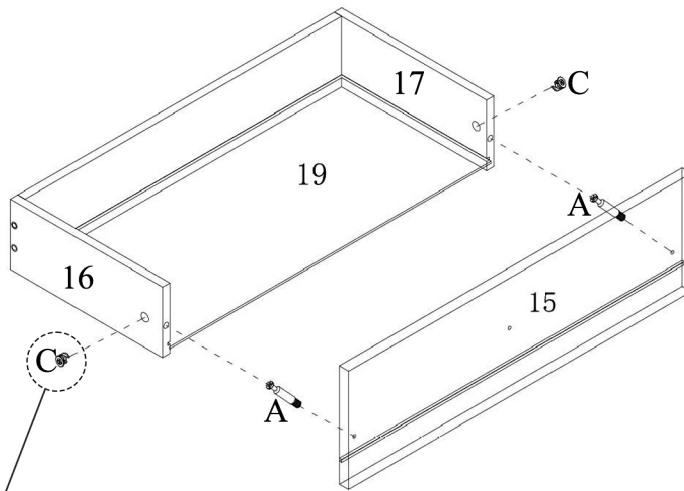
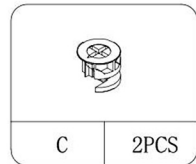
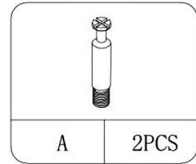
15/18

# STEP 18

Insert cam bolt (A) to part (15) with screwdriver.

Attach Part (15) into part (16,17) through bolt (A).

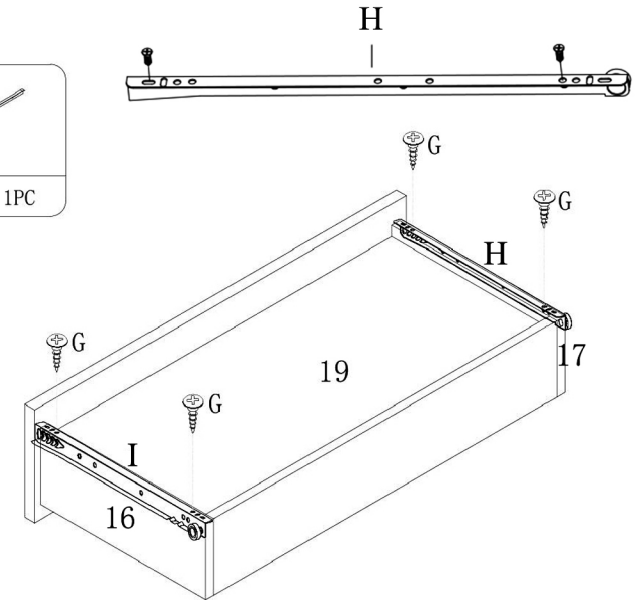
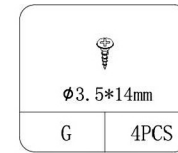
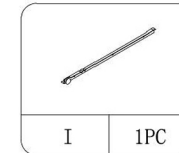
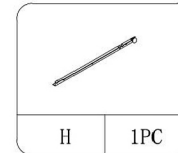
Insert and secure cam lock (C) to part (16,17) to lock part (15).



Be careful not to over tighten.

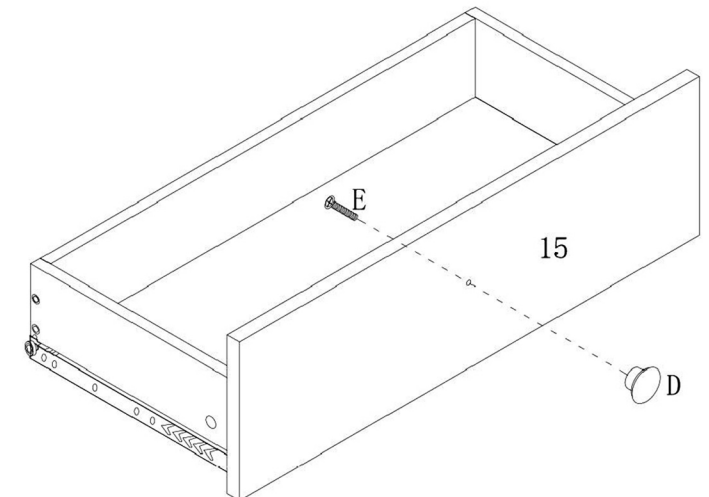
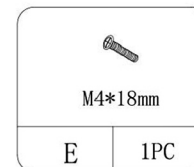
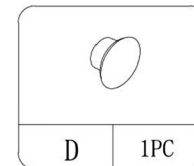
# STEP 19

Attach rail (H,I) at the back of drawer using screw (G) as per diagram.



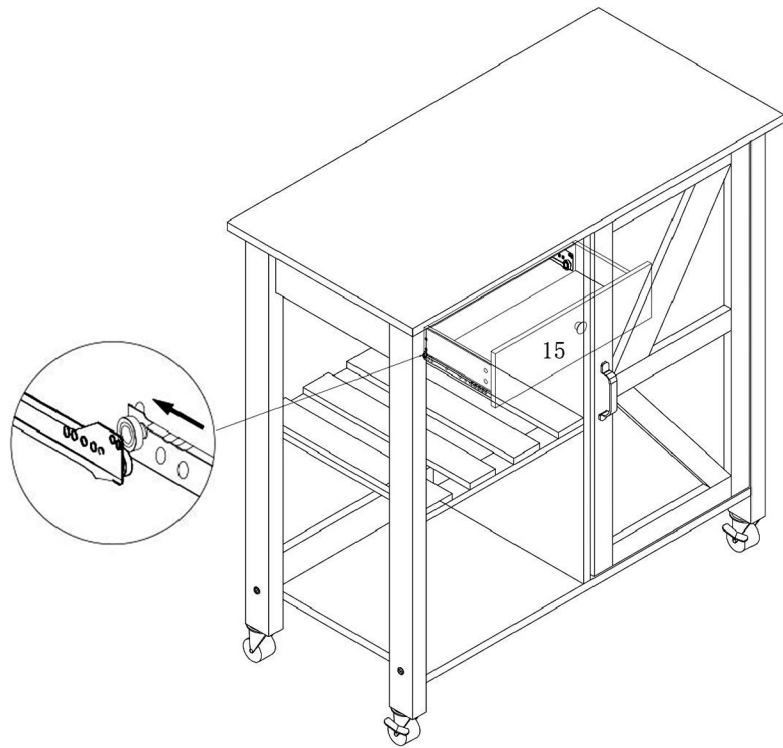
# STEP 20

Attach handle (D) to part (15) using screw (E) with screwdriver.



# STEP 21

---



Place 1 drawer into the kitchen island as per diagram.