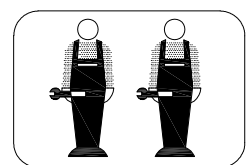
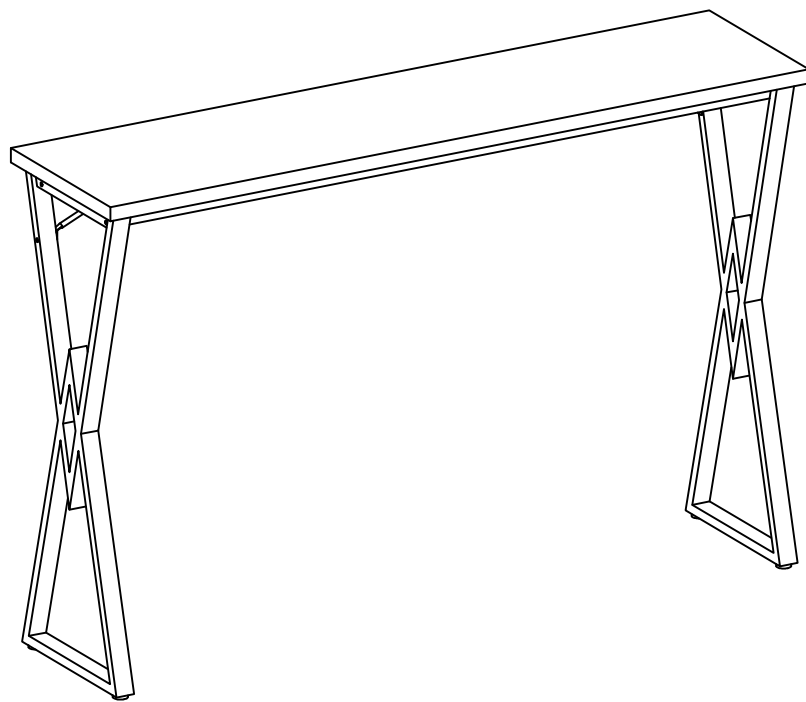
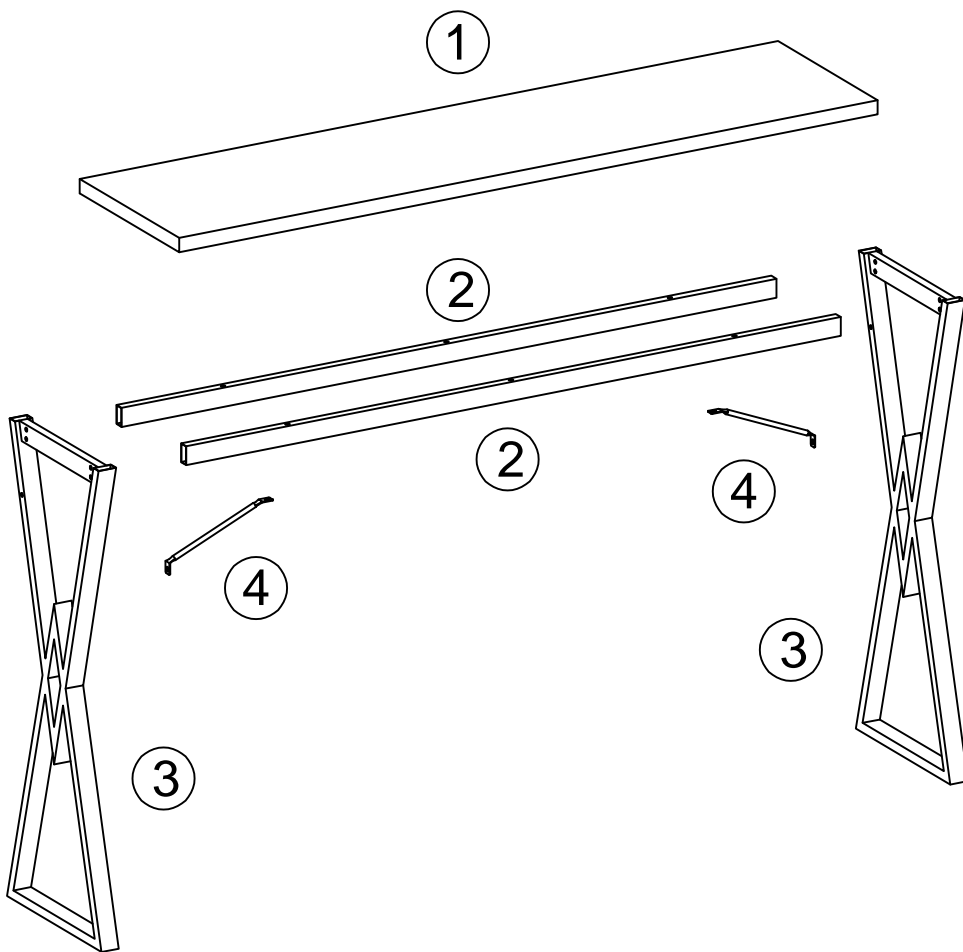





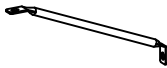
ASSEMBLY INSTRUCTIONS

WF322496

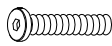
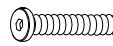


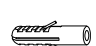

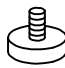
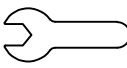





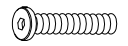
Part List

			
①×1pc	②×2pcs	③×2pcs	④×2pcs

Hardware List

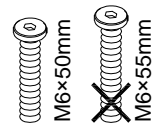
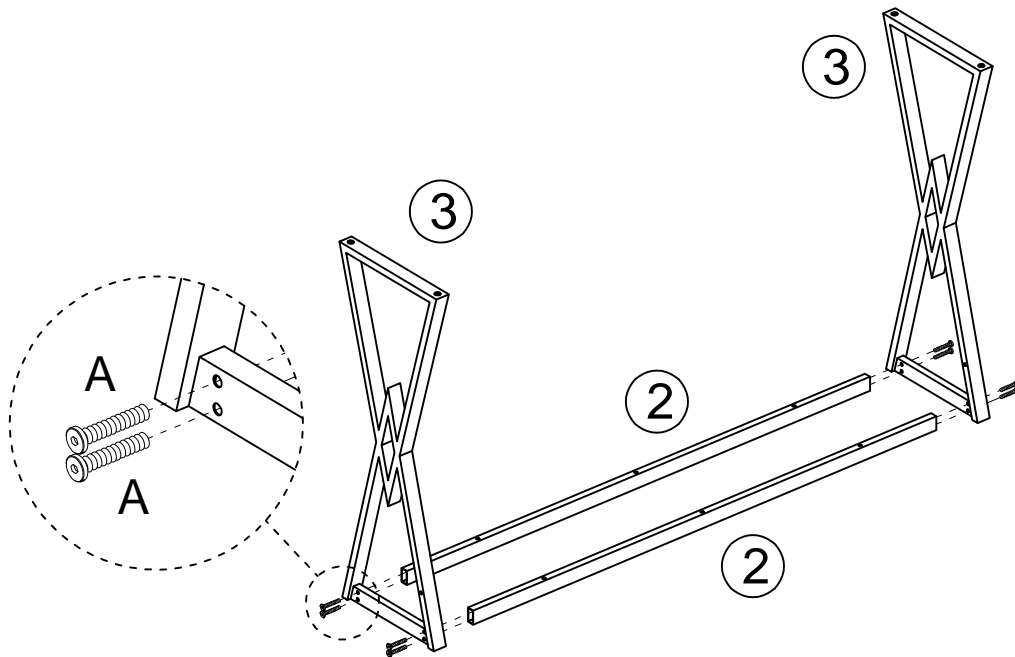
 M6×50mm Ⓐ×10pcs	 M6×55mm Ⓑ×6pcs	 4×35mm Ⓒ×2pcs	 M6 Ⓓ×2pcs	 φ6×30mm Ⓔ×2pcs
 Ⓕ×2pcs	 Ⓖ×4pcs	 Ⓗ×1pc	 Ⓘ×1pc	

Step 1

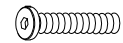


M6×50mm

A × 8pcs



Step 2



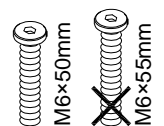
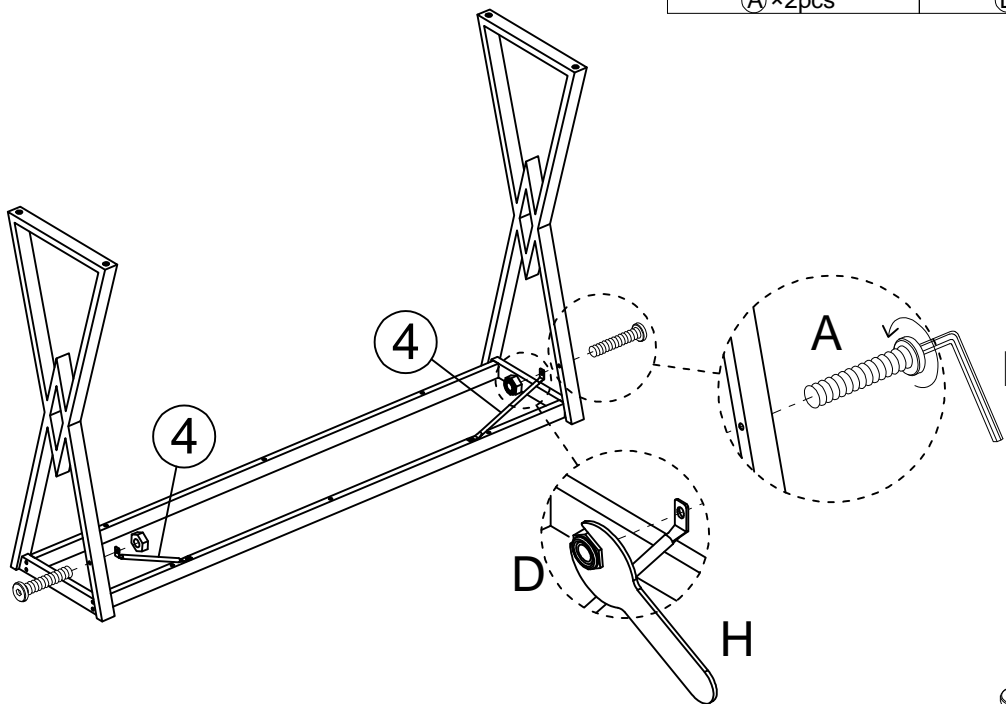
M6×50mm

A × 2pcs

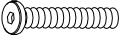



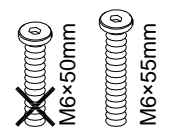
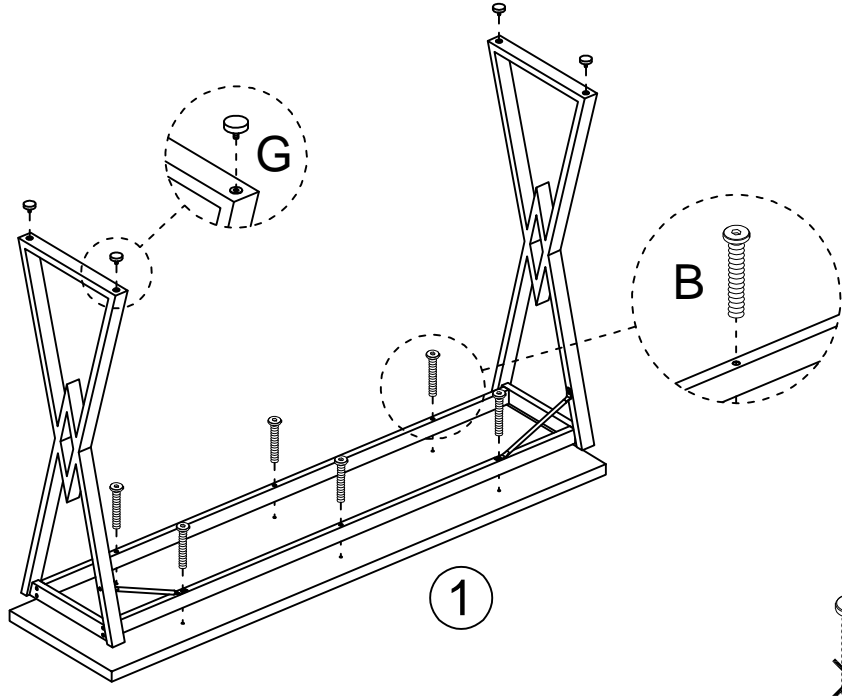
M6

D × 2pcs

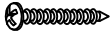




Step 3

	
M6×55mm	
(B) × 6pcs	(G) × 4pcs



Step 4

		
4×35mm	φ6×30mm	
(C) × 2pcs	(E) × 2pcs	(F) × 2pcs

