

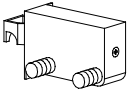
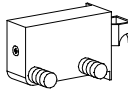
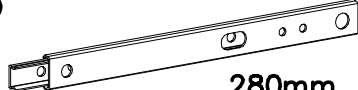


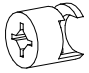
G34   
3,5x16 x...(1)


A1   
Ø7x50 x...(2)

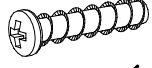
U9L   
x...(1)


U9R   
x...(2)

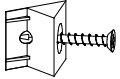
H3   
280mm x...(4)


K14   
Ø15x19 x...(2)

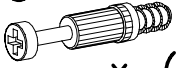
K1   
Ø15x12 x...(8)


G55   
6x22 x...(6)

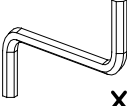
N1   
M4x9 x...(4)

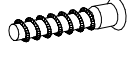
I1   
x...(4)


W1   
GLUE, LEIM, LEPIDLO, LIM  
x...(1)

K10   
x...(10)

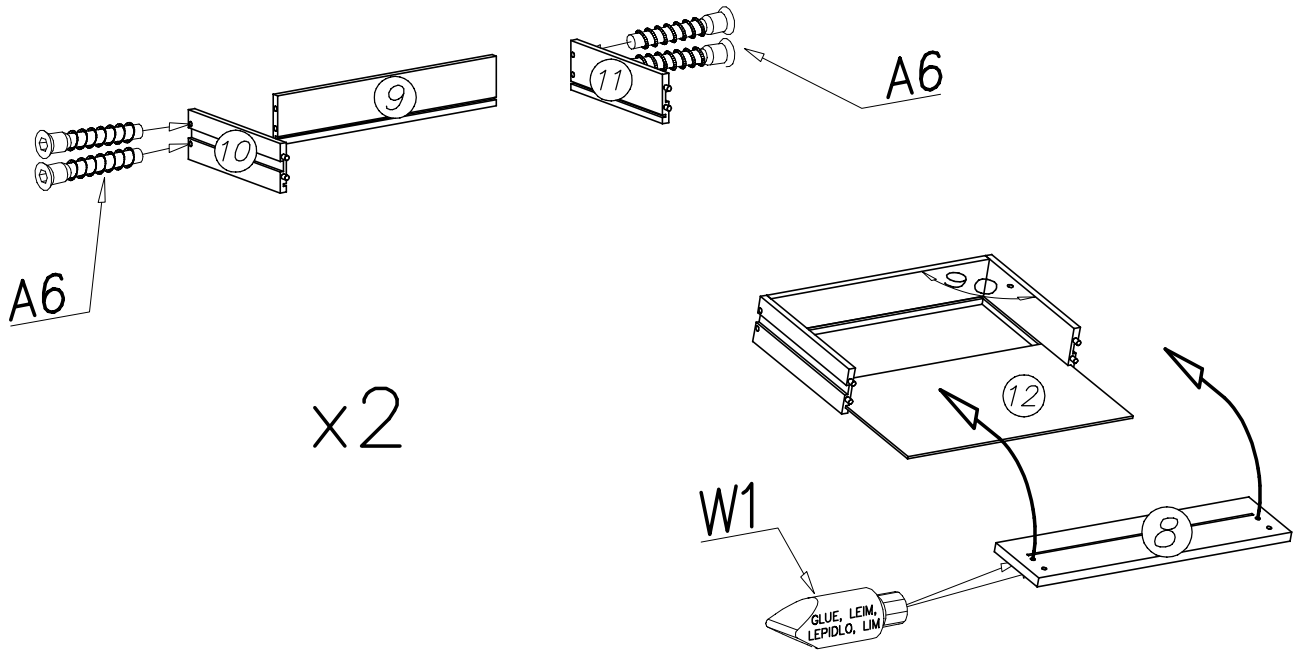
G50   
6x13 x...(8)

W2   
x...(1)

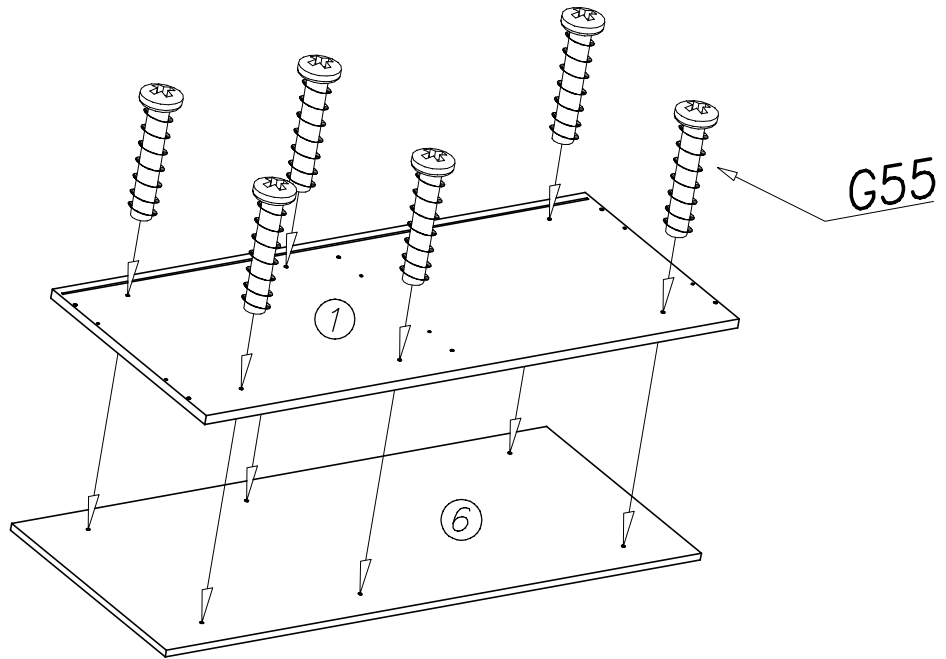
A6   
Ø7x40 x...(8)

B2   
Ø6x35 x...(12)

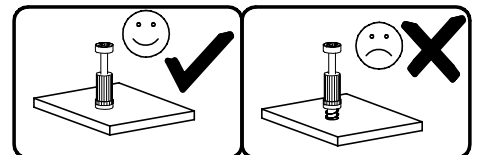
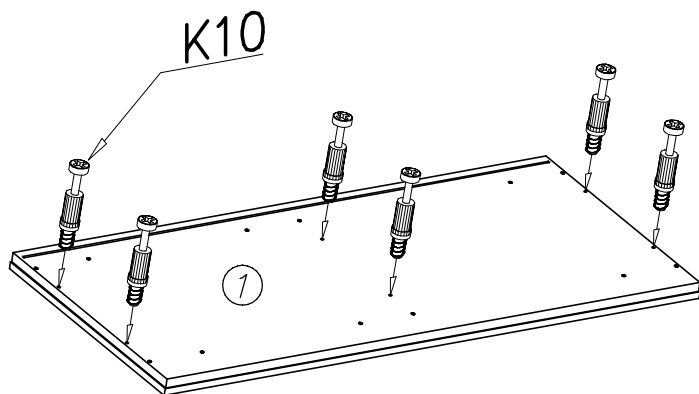
I



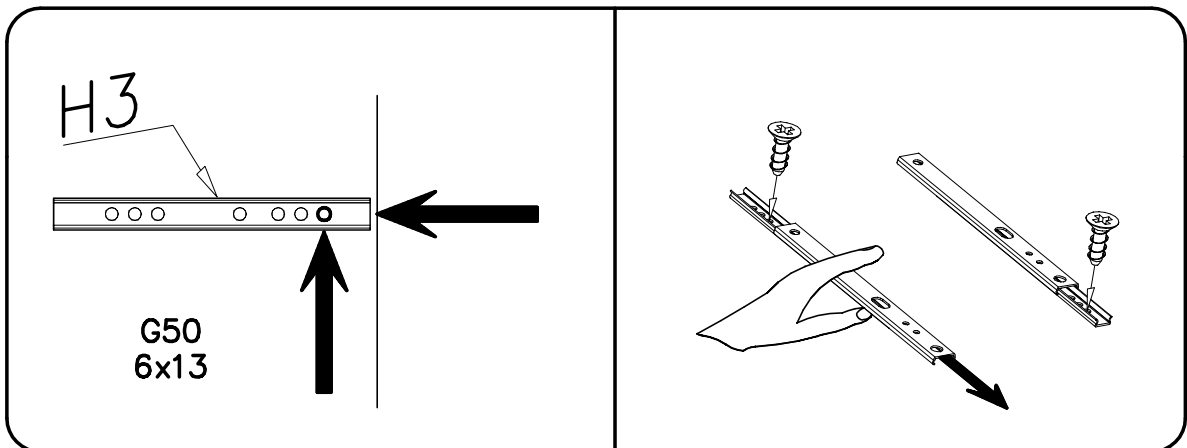
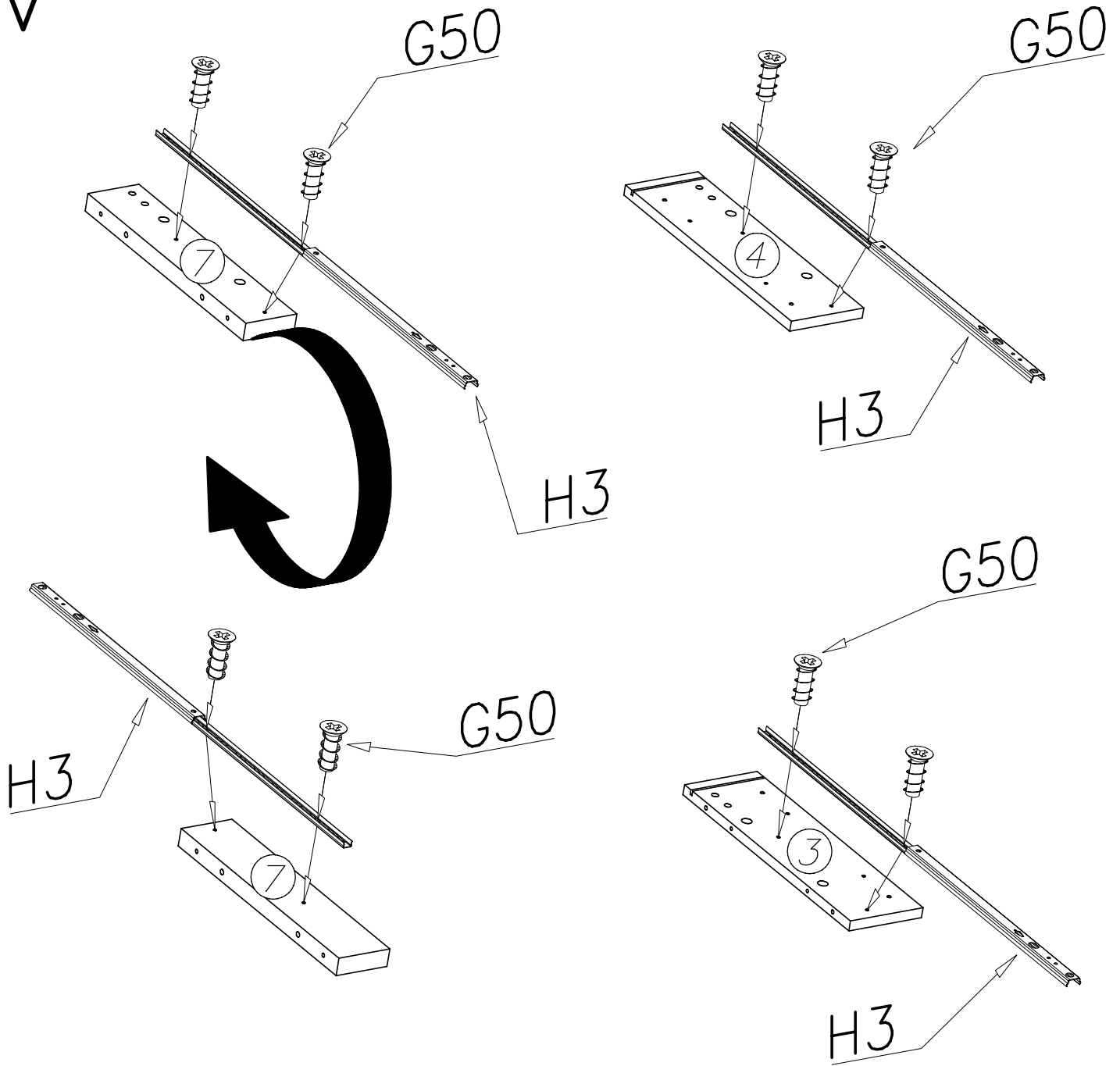
II



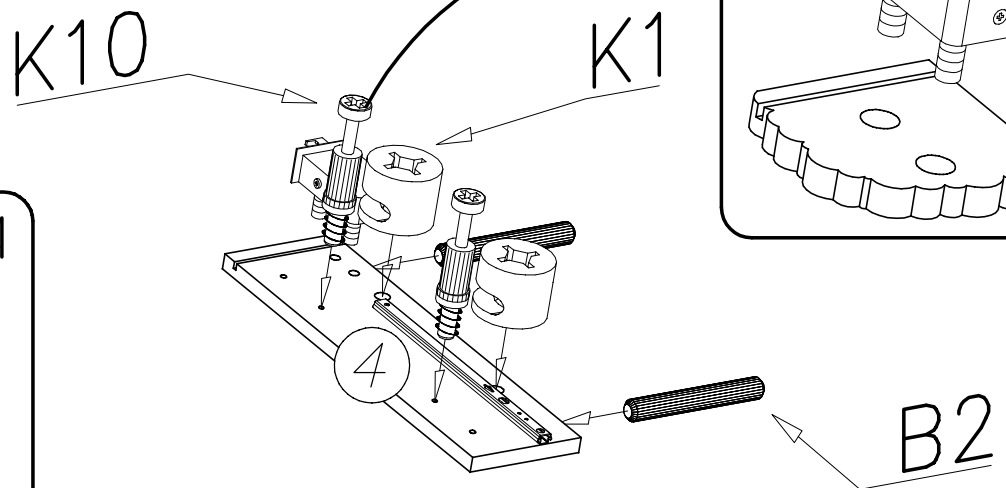
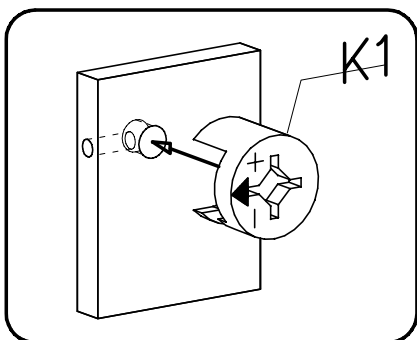
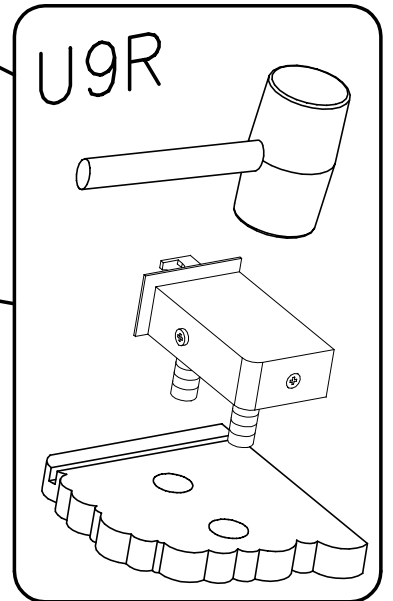
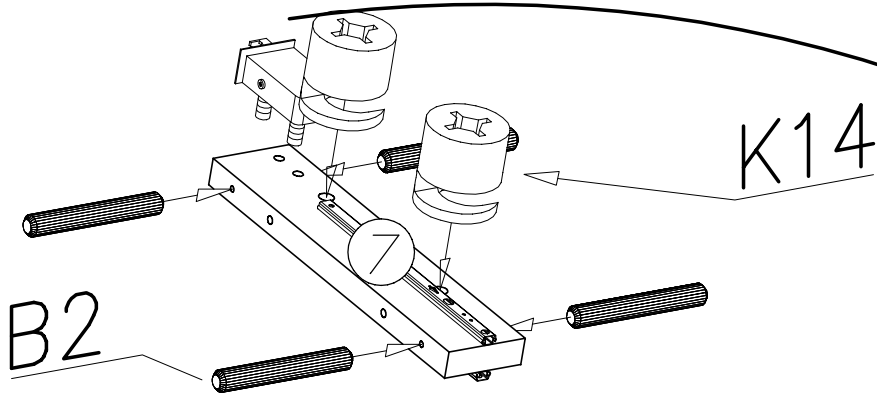
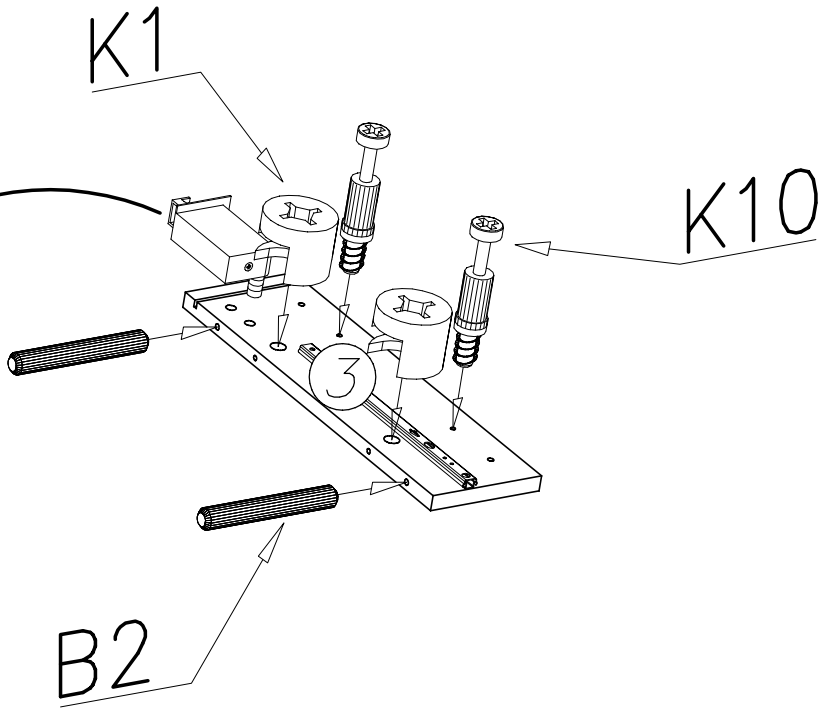
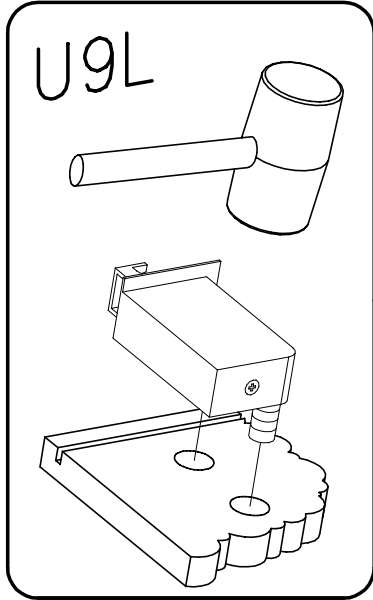
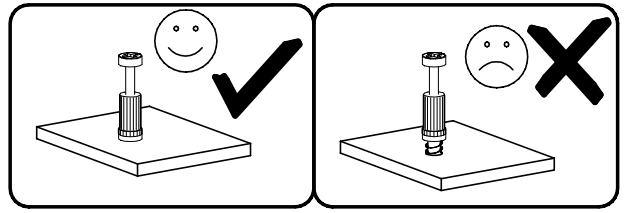
III



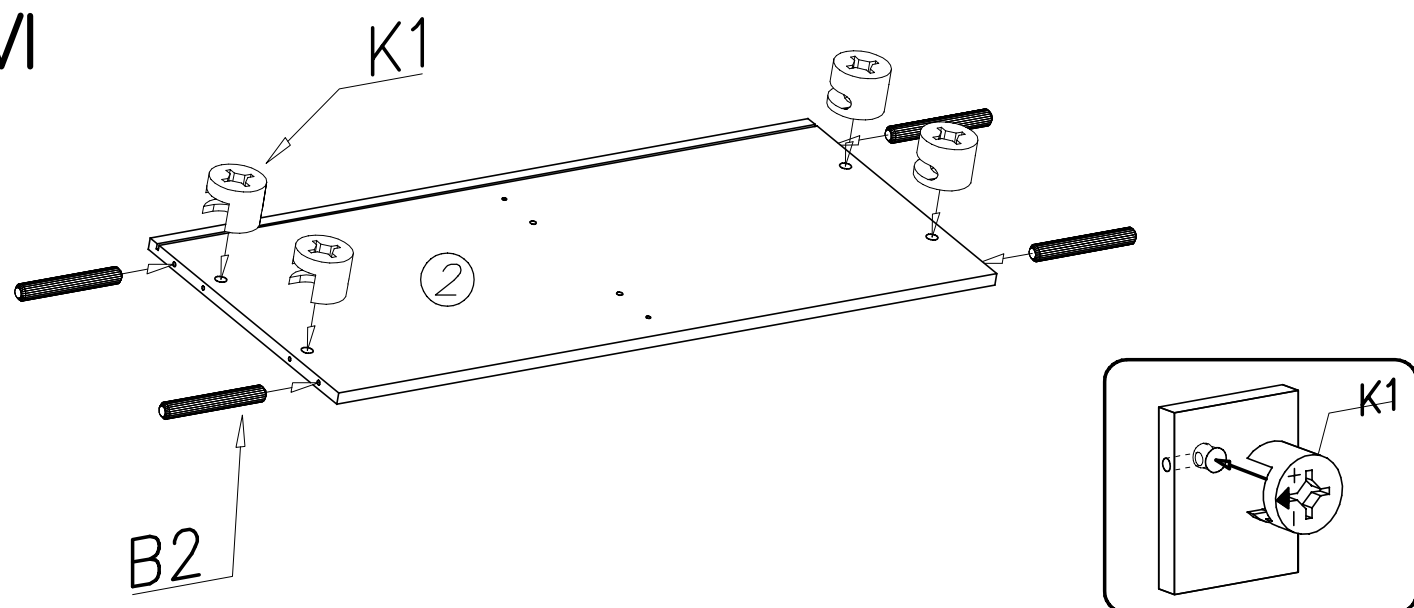
# IV



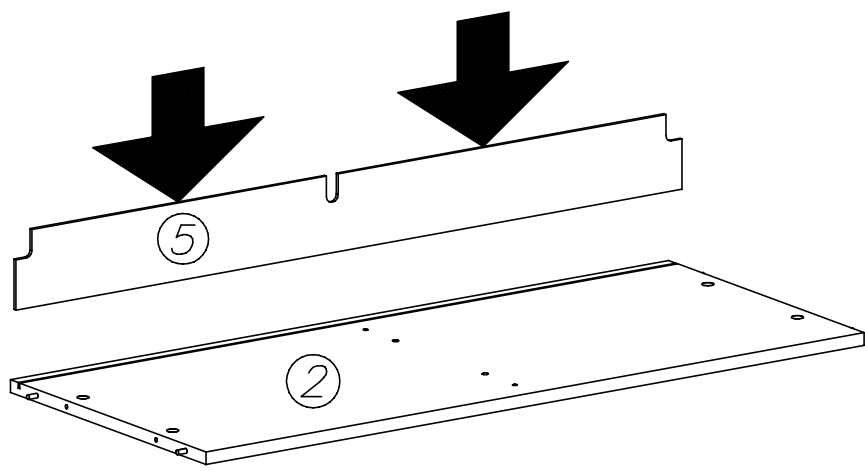
V



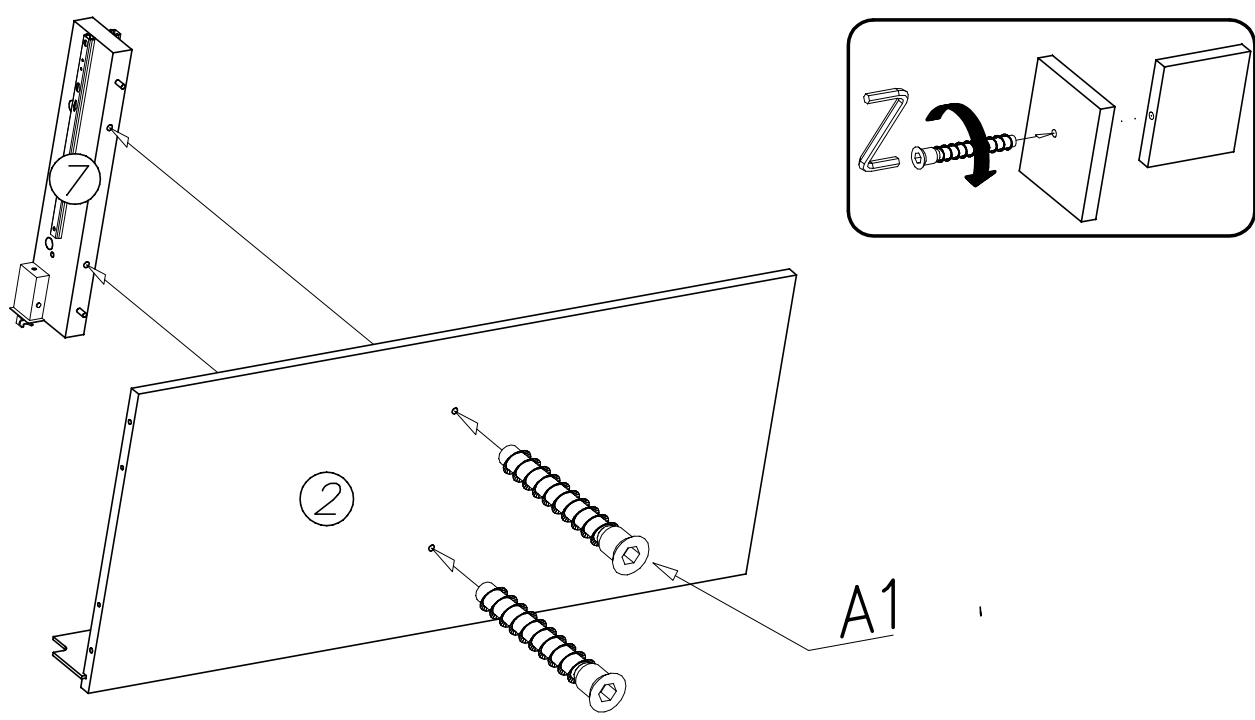
# VI



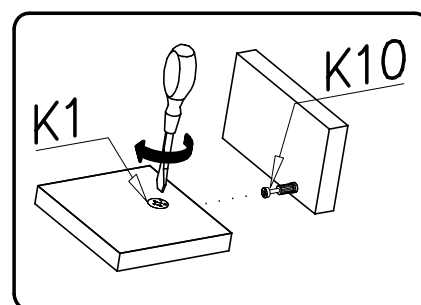
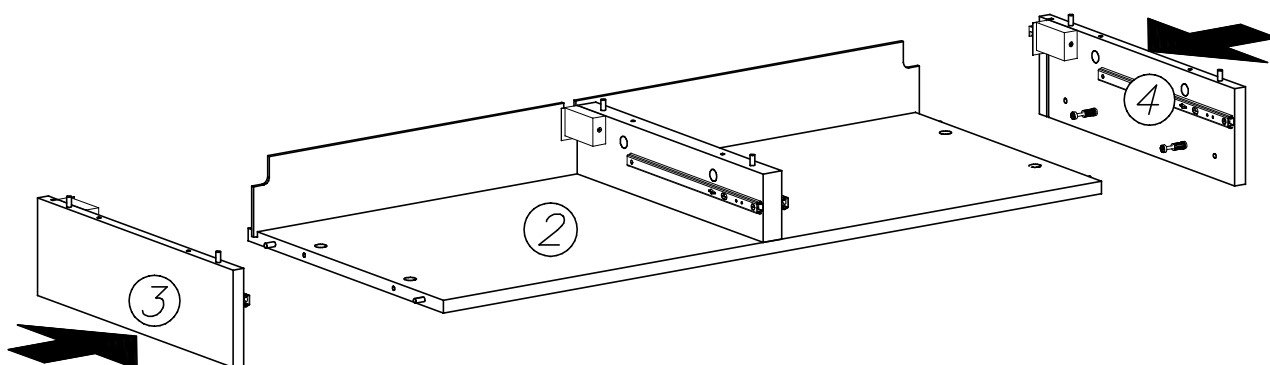
# VII



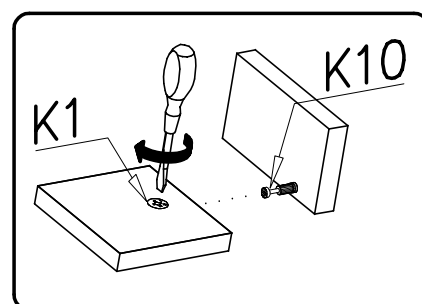
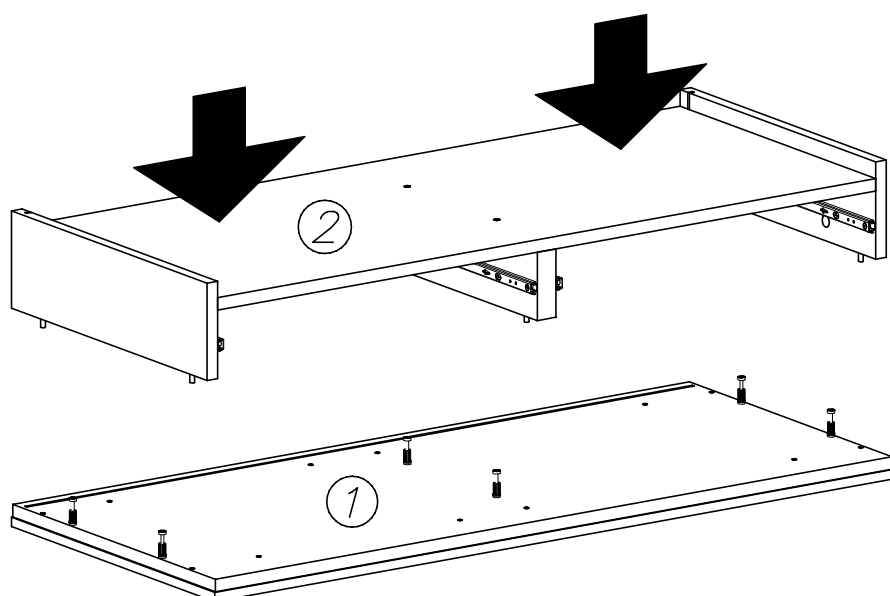
# VIII



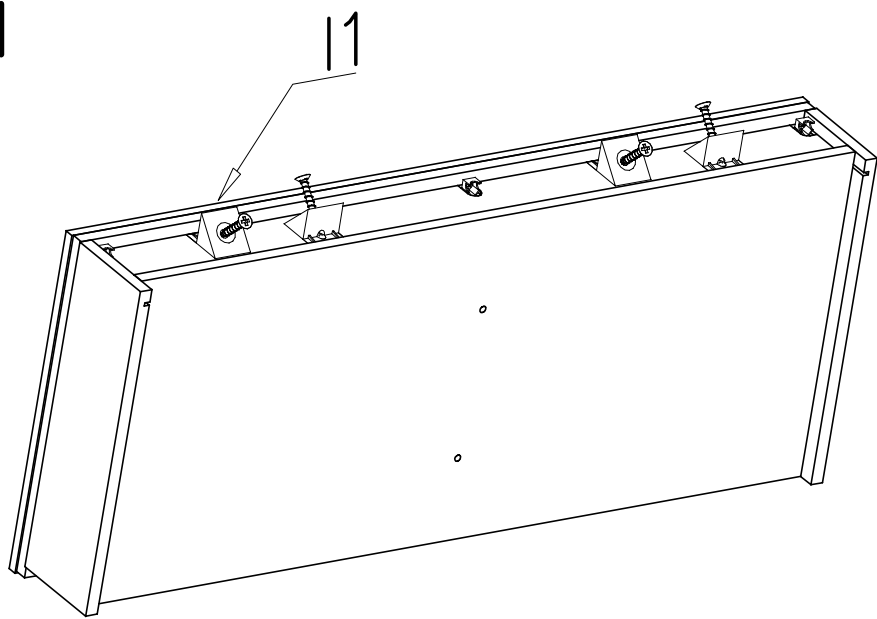
IX



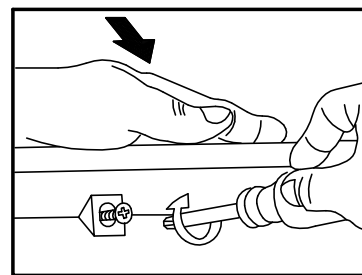
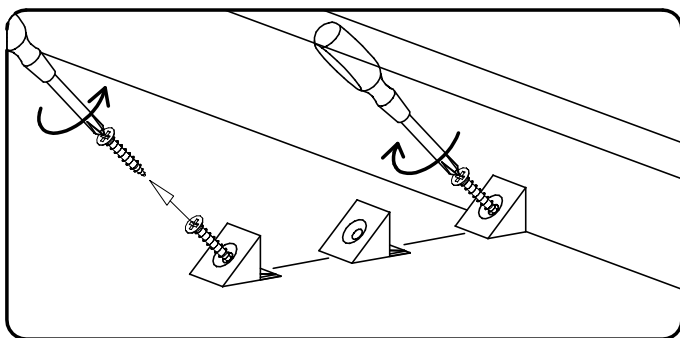
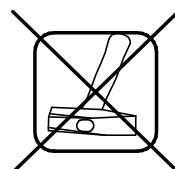
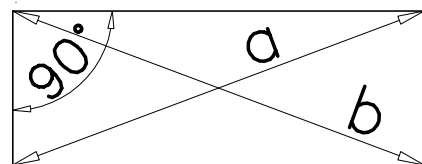
X



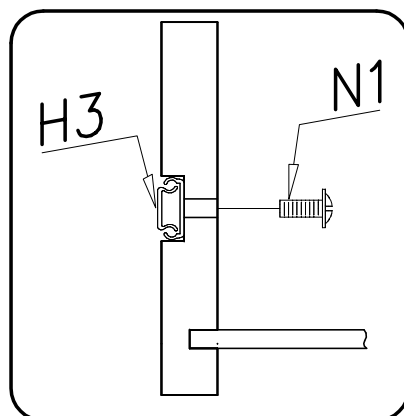
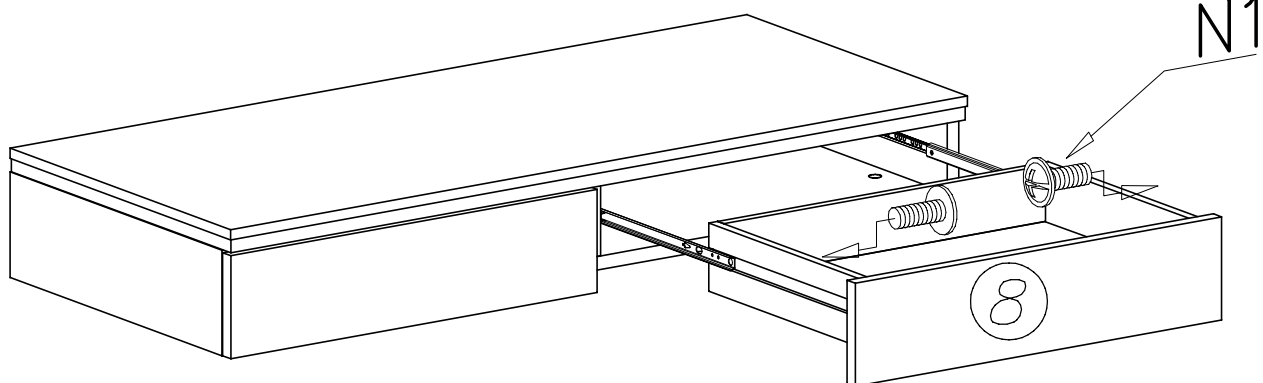
XI



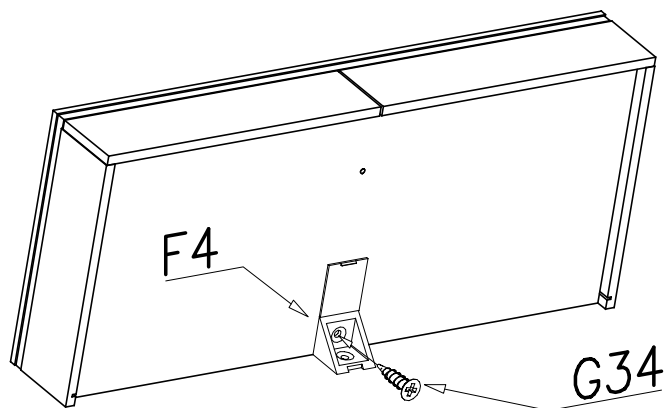
$a=b$



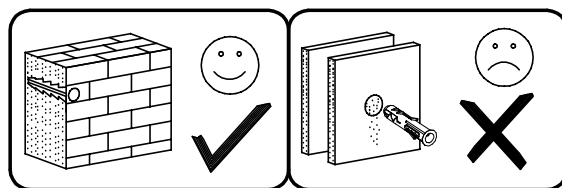
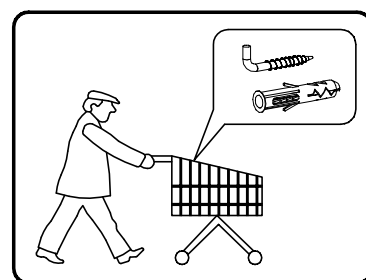
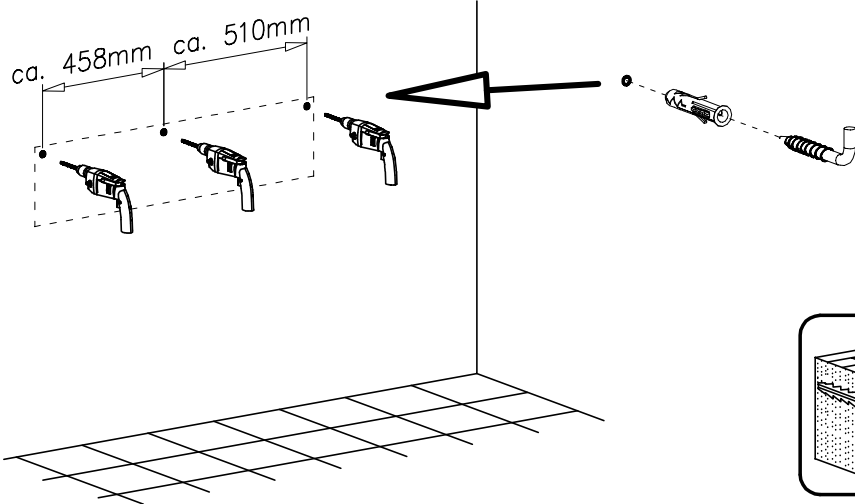
XII



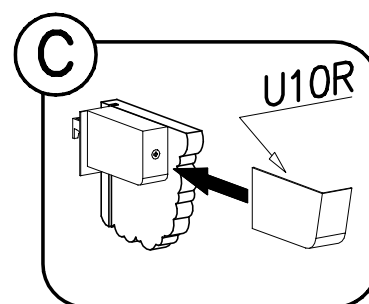
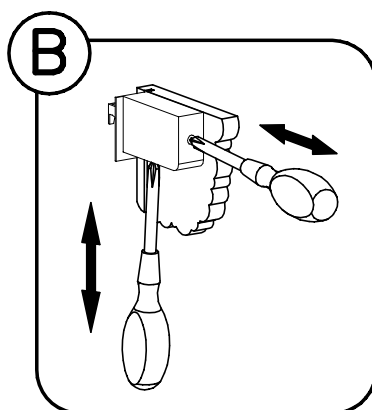
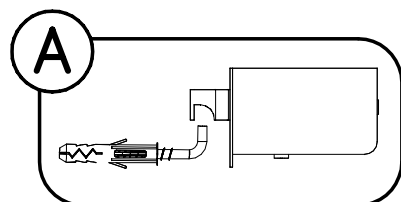
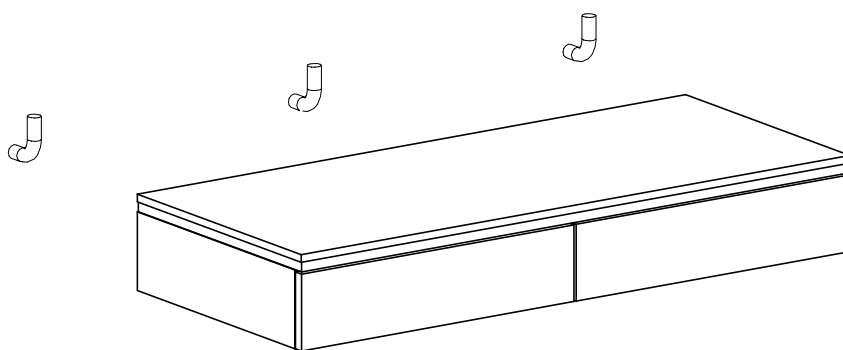
# XIII



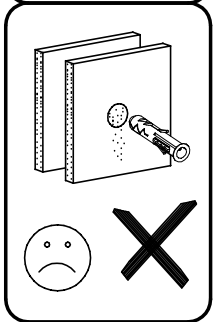
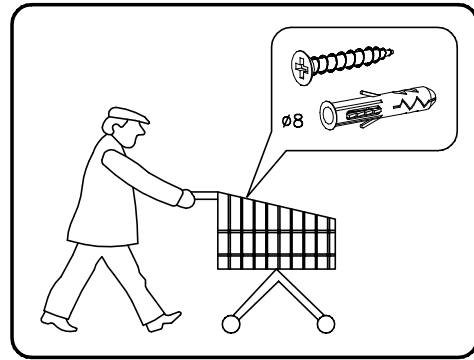
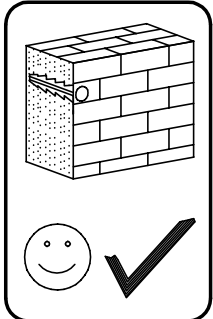
# XIV



# XV

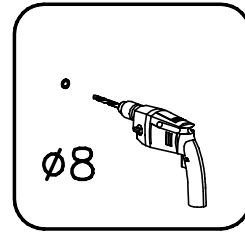
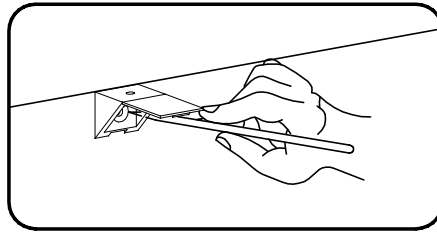


# XVI



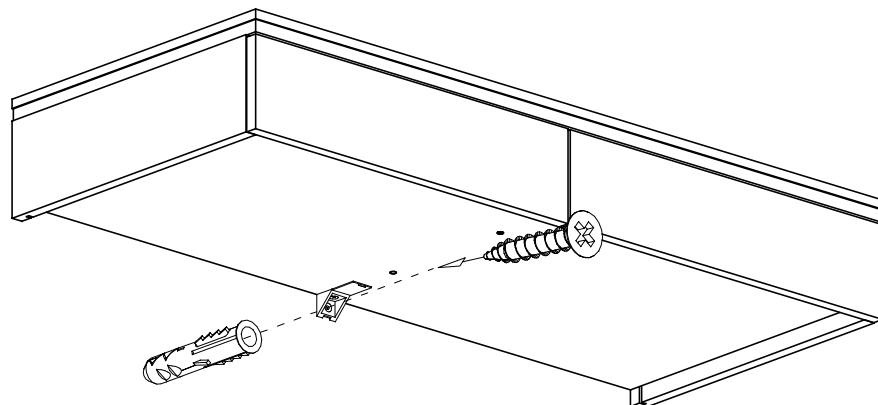
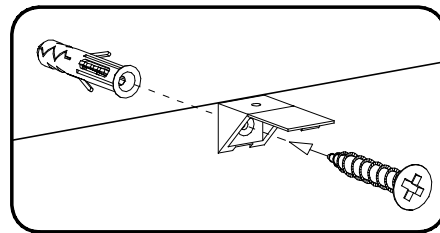
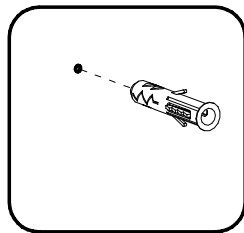
1

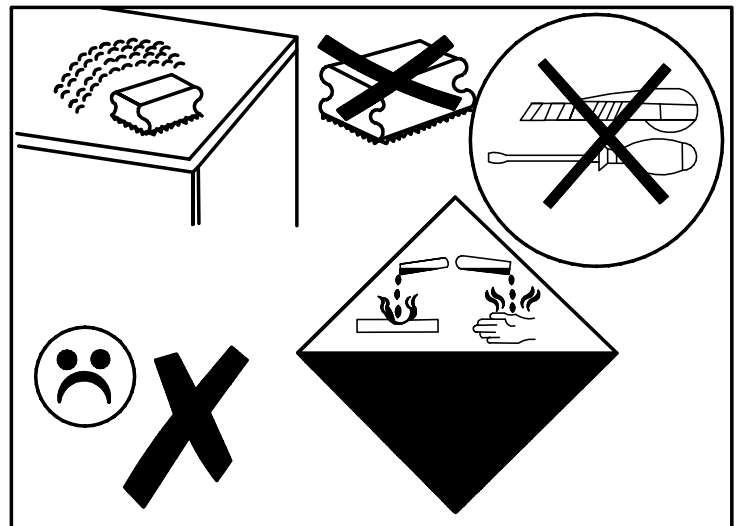
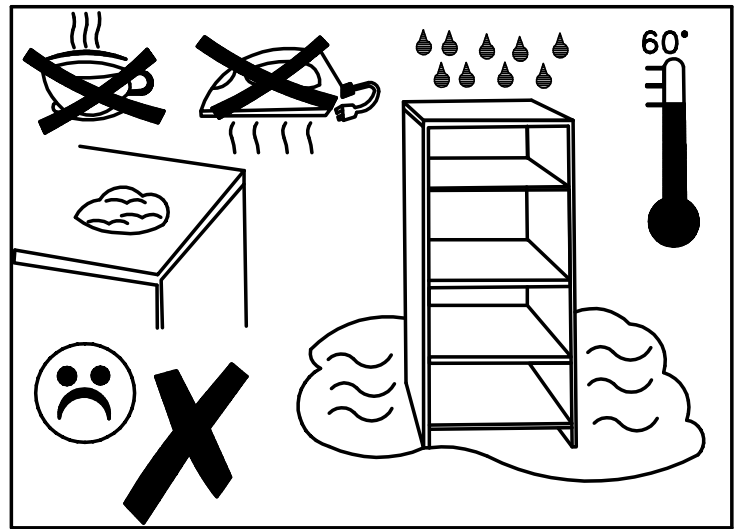
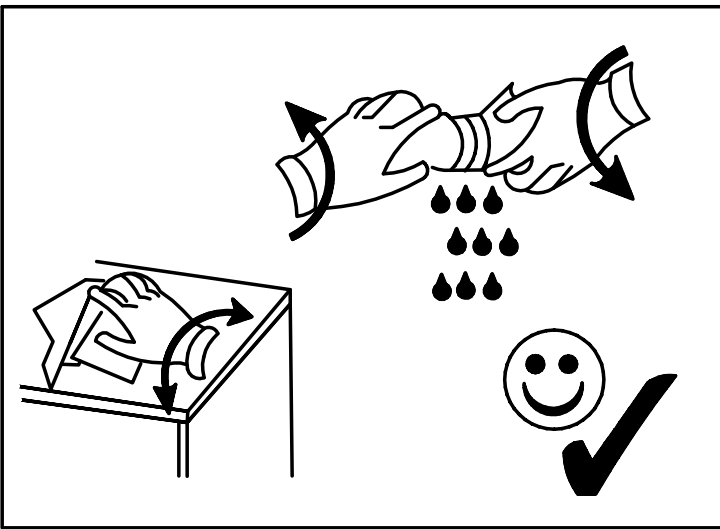
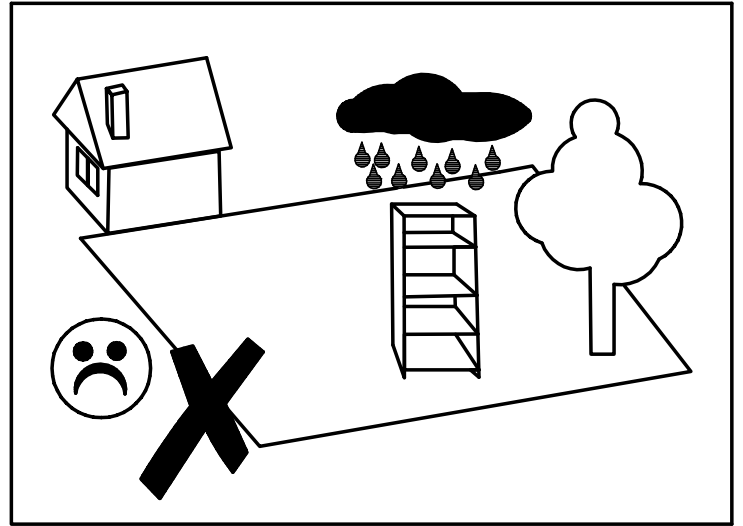
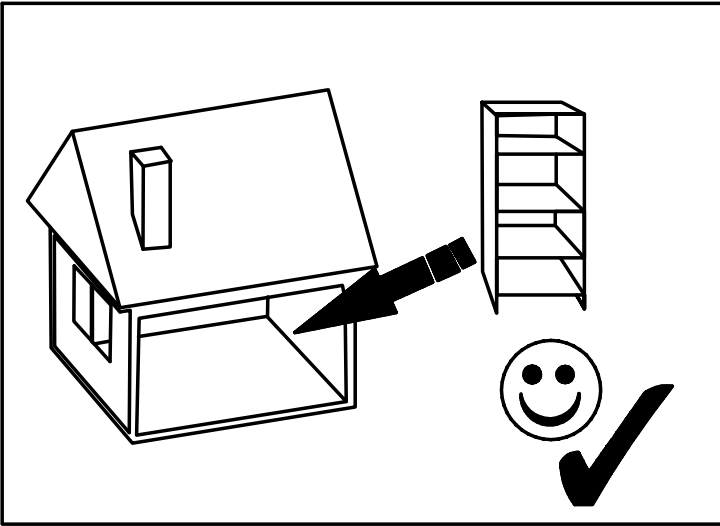
2

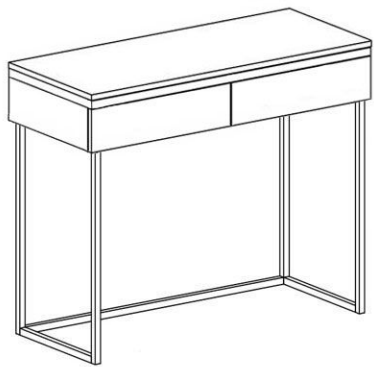


3

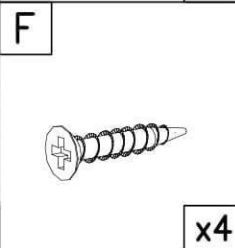
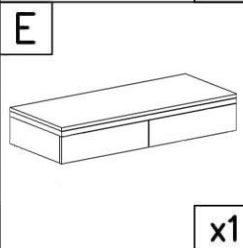
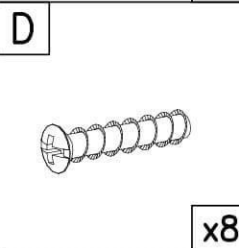
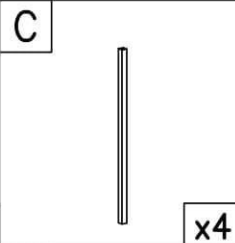
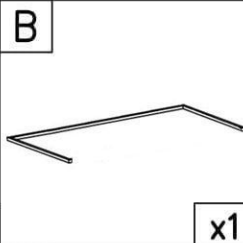
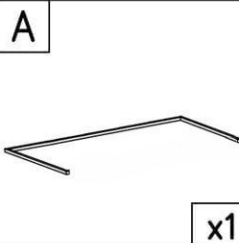
4



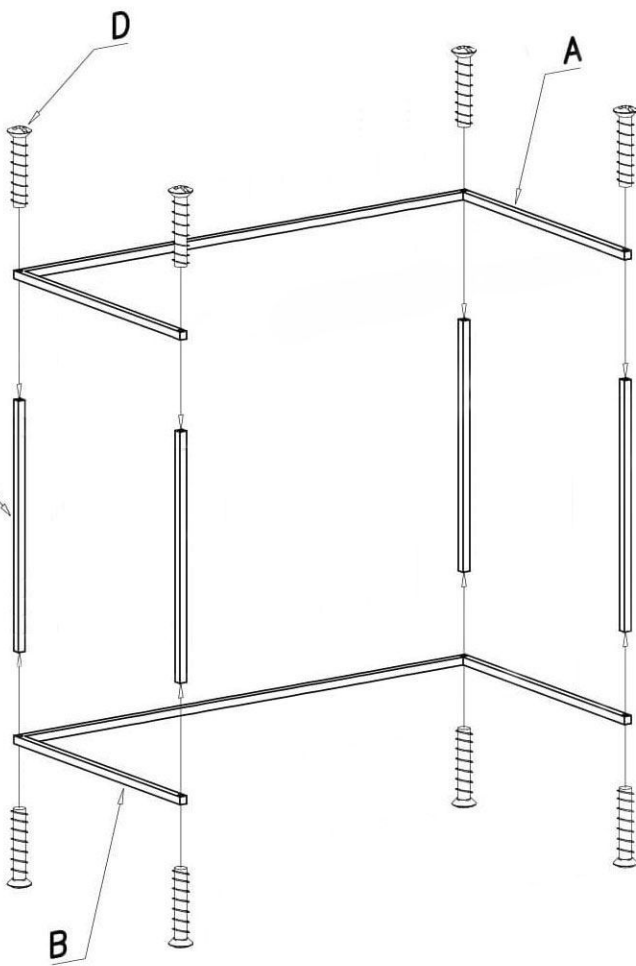




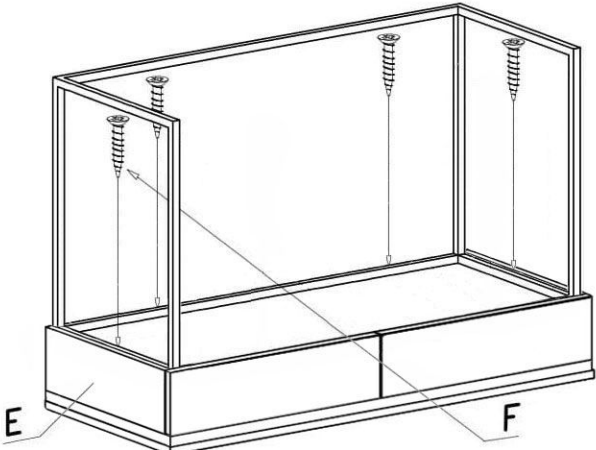
1



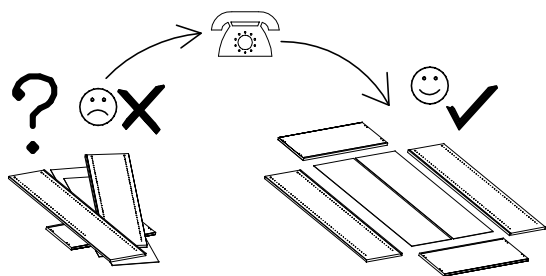
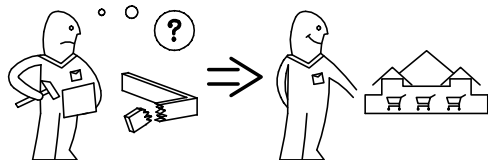
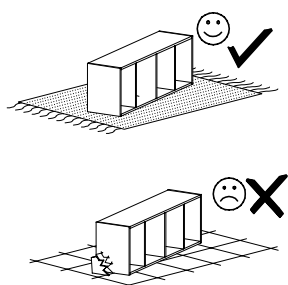
C



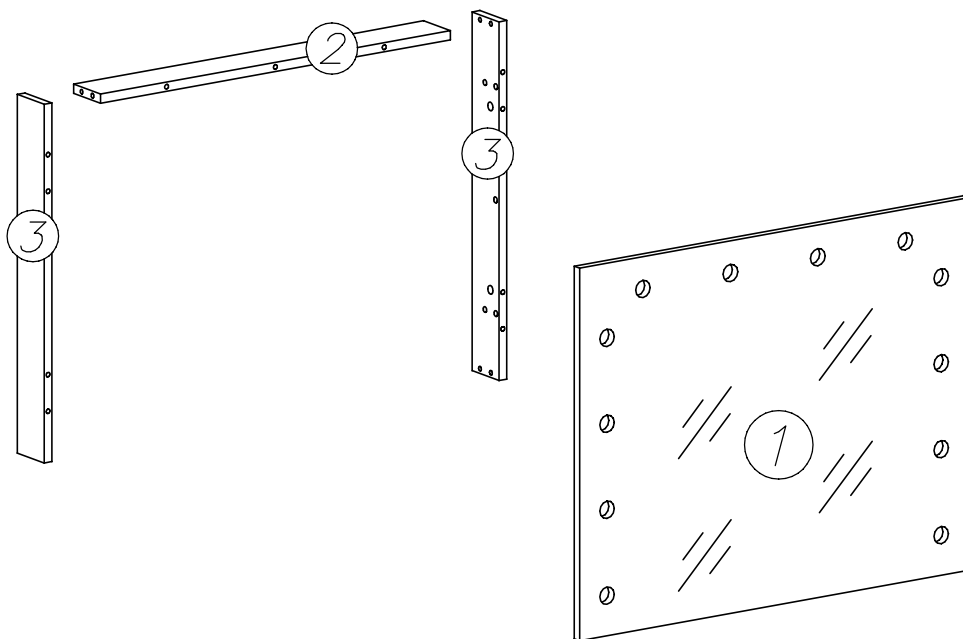
2



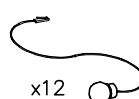




nr	L[mm]	B[mm]	T[mm]	Menge	Colli
1	650	800	20	1	1/1
2	720	79	16	1	1/1
3	626	79	16	2	1/1



W20



x...(1)

G34  
3,5x16 x...(1)

U9L  
x...(1)

U9R  
x...(1)

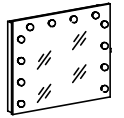
I7  
Ø18 x...(5)

K1  
Ø15x12 x...(5)

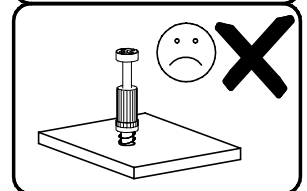
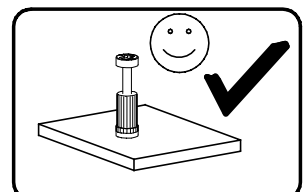
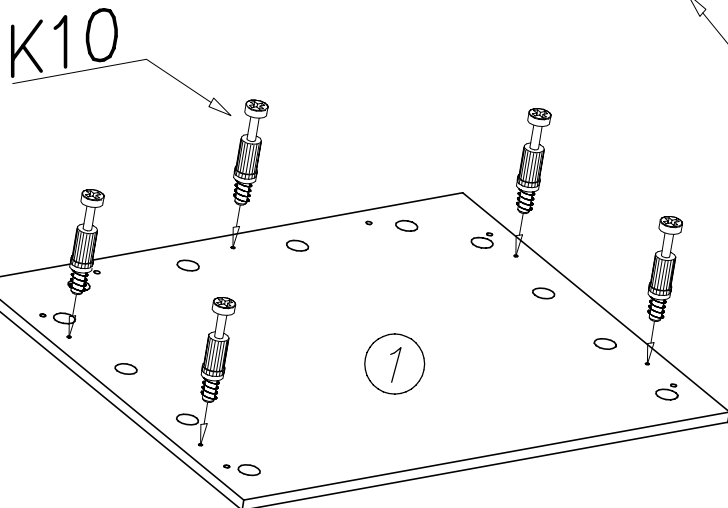
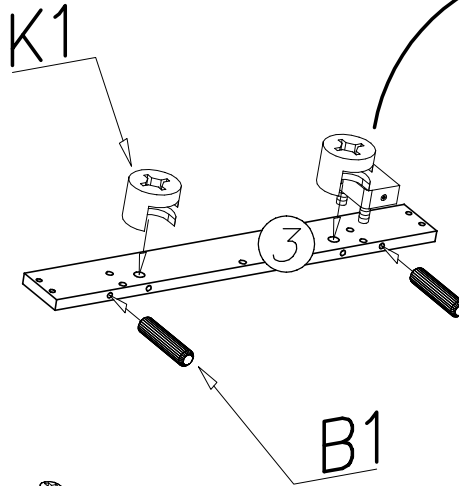
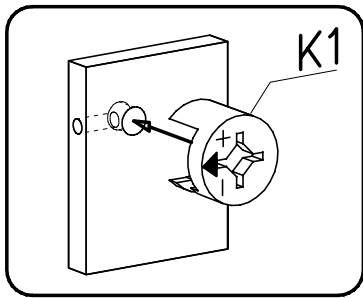
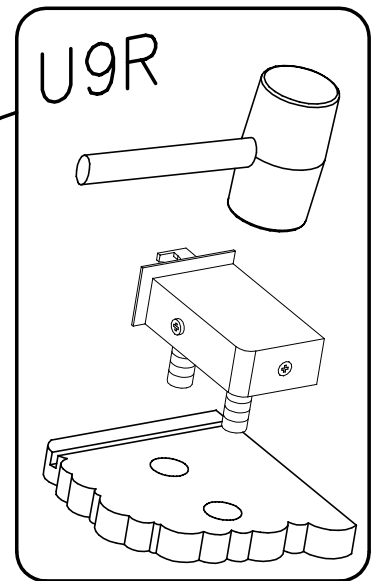
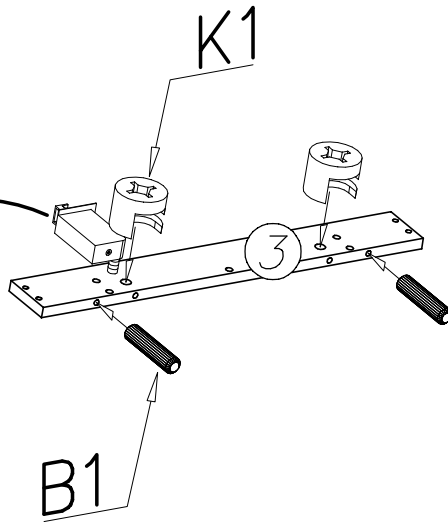
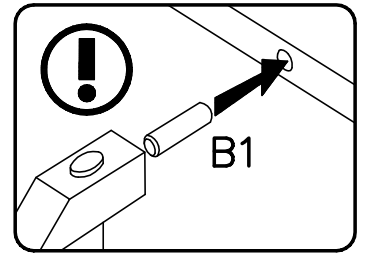
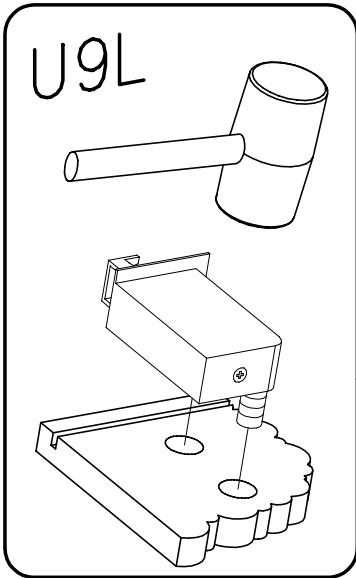
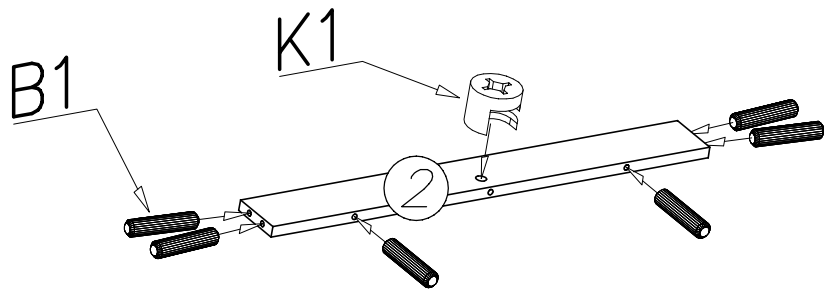
K10  
x...(5)

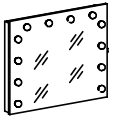
B1  
Ø8x35 x...(10)

W2  
x...(1)

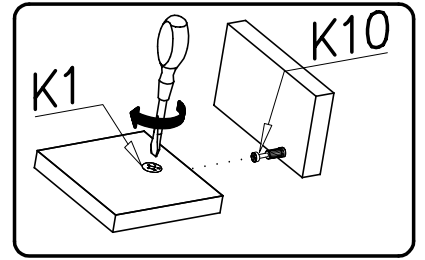
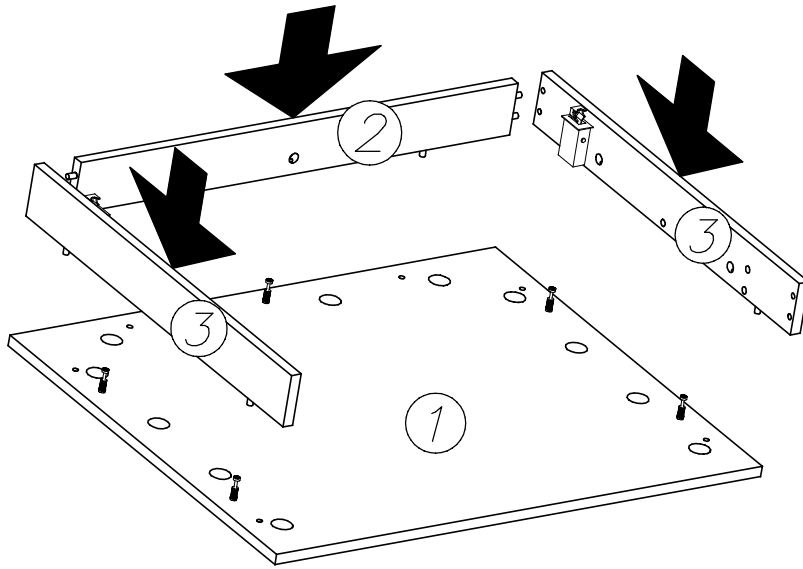


I

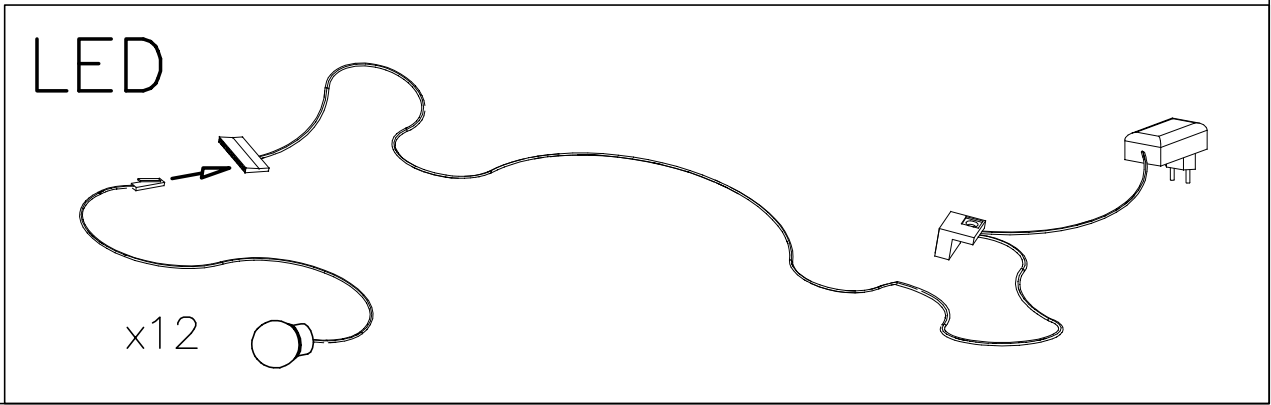
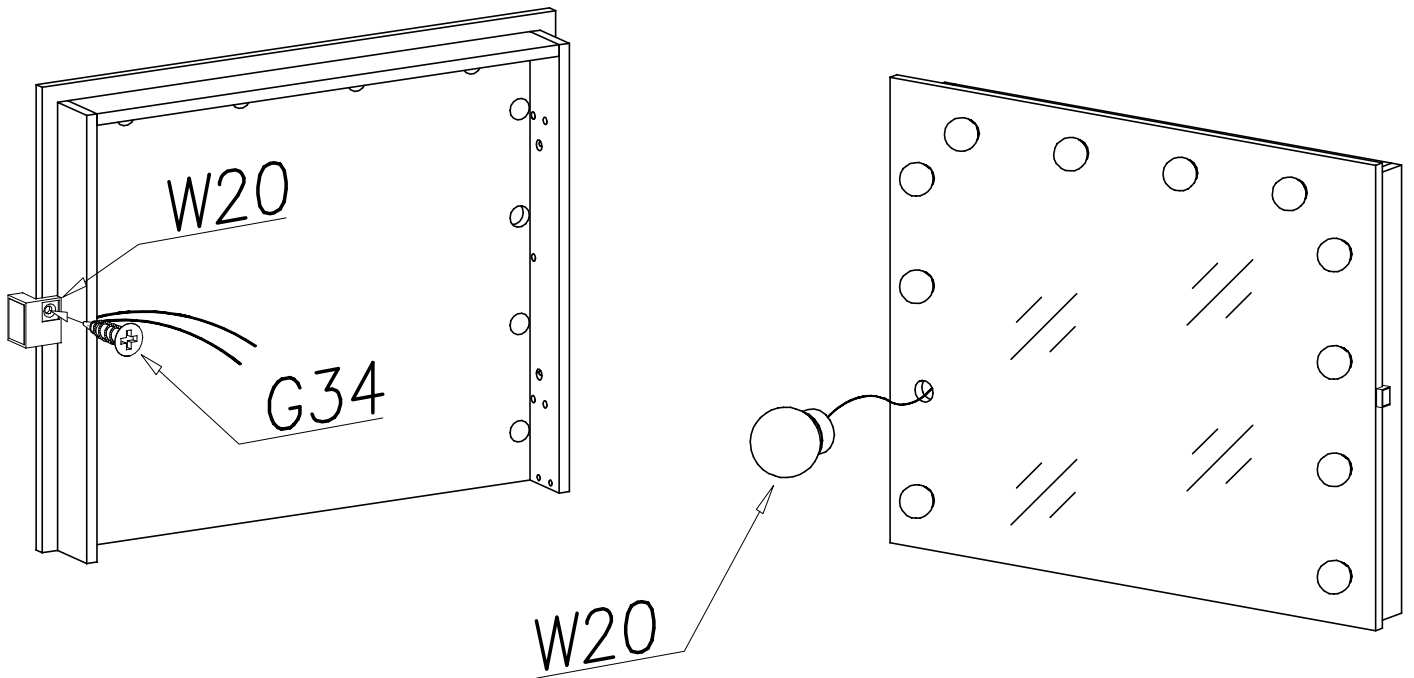


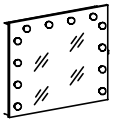


II

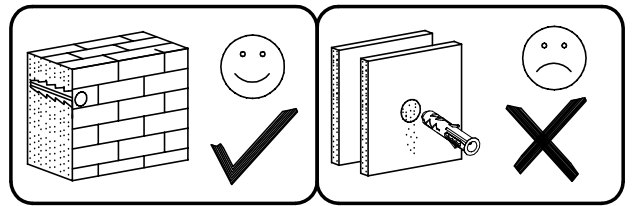
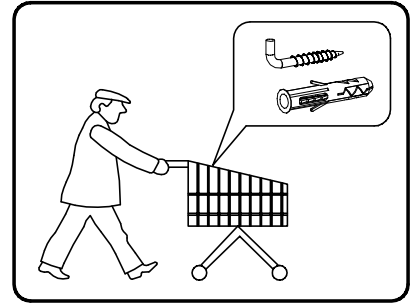
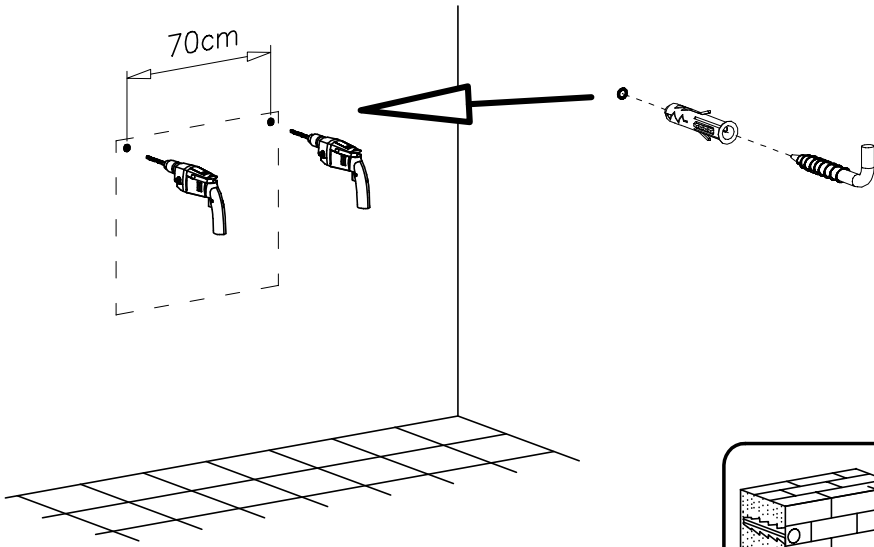


III





# IV



# V

