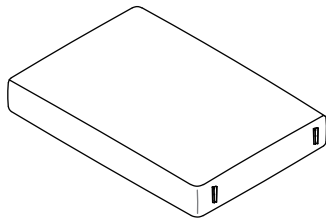


ASSEMBLY INSTRUCTION

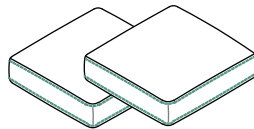
LOVE SEAT

A Seat Frame



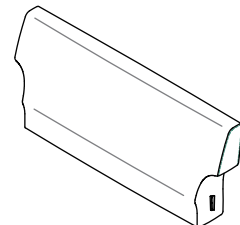
1pc

B Seat Cushion



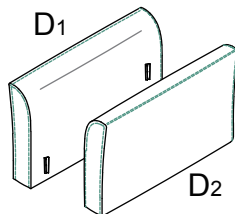
2pcs

C Backrest



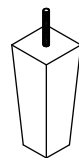
1pc

D Armrest

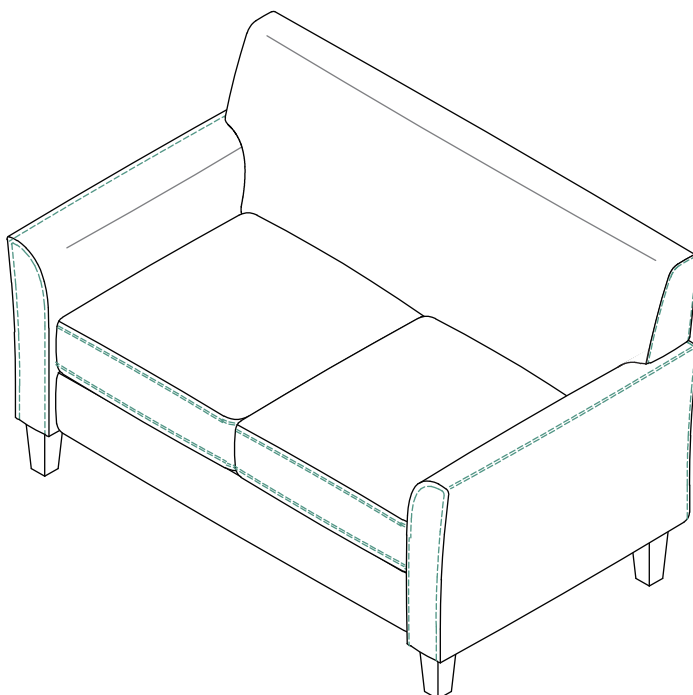


2pcs

E Leg

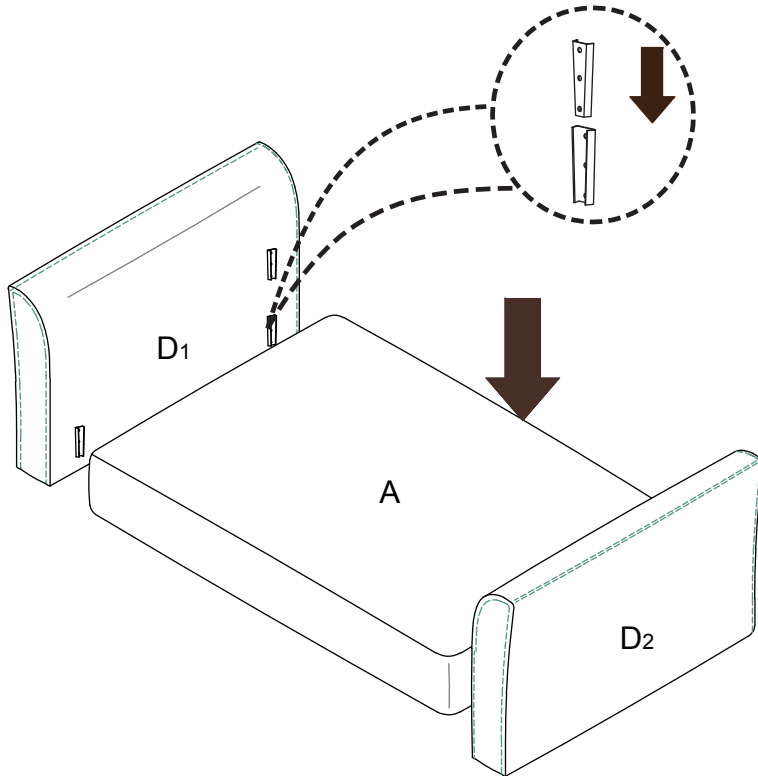


4pcs

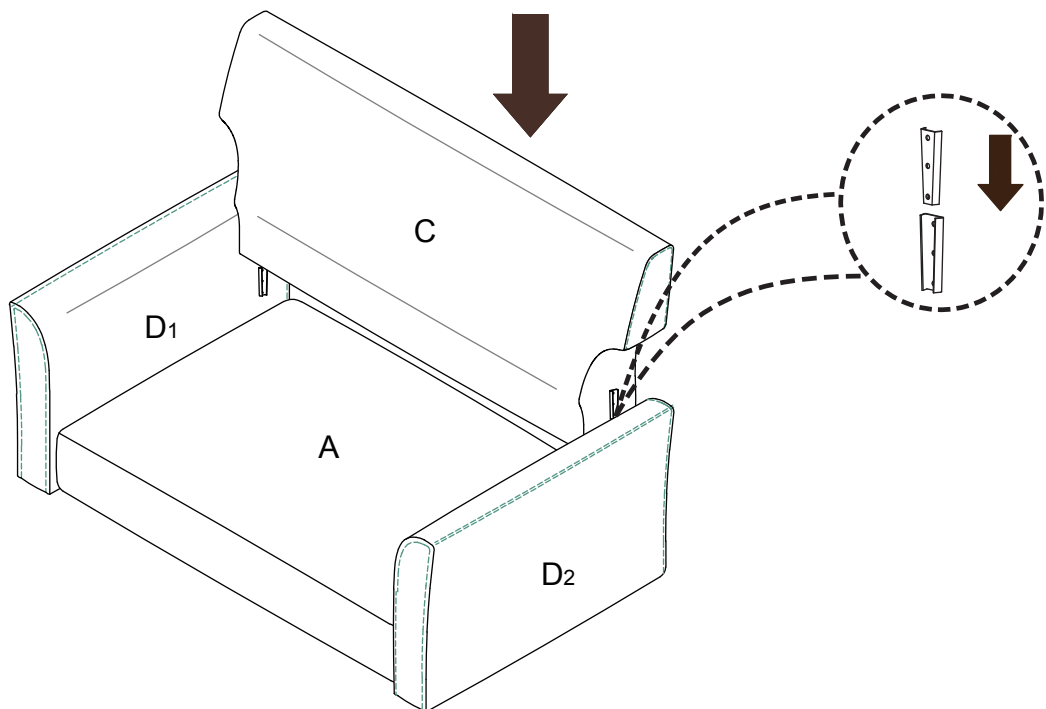


This page lists all the contents included in the box. Please take the time to identify the hardware as well as the individual components to this product. As you unpack and prepare for assembly, place the contents on a carpeted or padded area to protect them from damage.

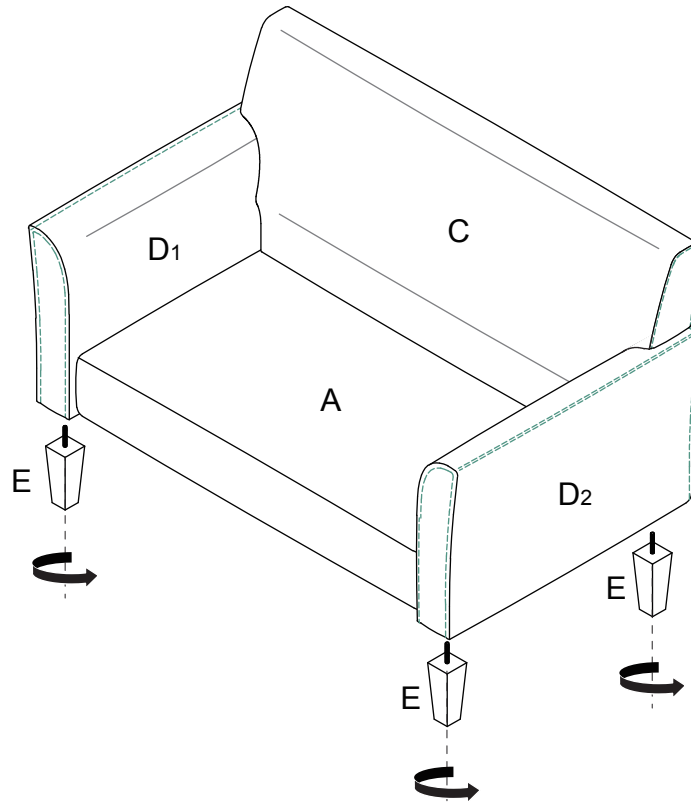
1 Attach the Armrest(D) to the Seat Frame(A).



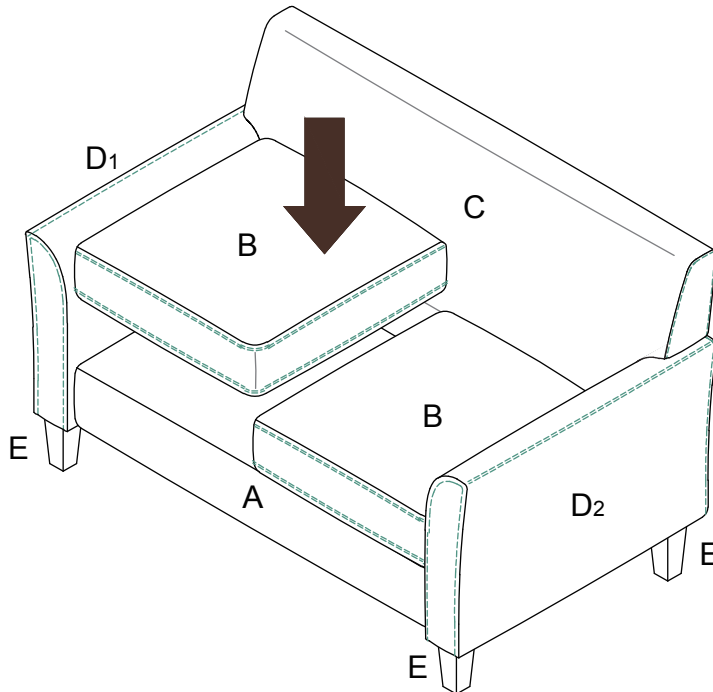
2 Attach the Backrest(C) to the Seat Frame(A).



3 Attach the Leg(E) to the Armrest(D).



4 Put the Seat Cushion(B) to the Seat Frame(A). Please make sure tighten all the legs.



Cleaning & Care

Treat surface with care. Surface is resistant to scratches but is not scratch resistant. Clean surfaces with a dry or damp soft cloth. Do not use abrasive cleaners. Hardware may loosen over time. Periodically check that all connections are tight.