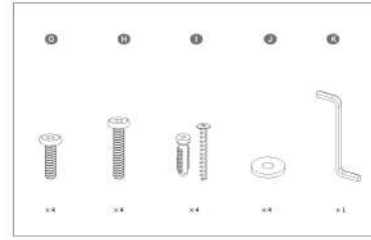
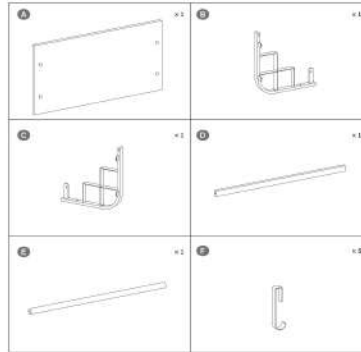


General Guidelines

- Please read the following instructions carefully and use the product correctly.
 - Please keep this manual and parts list for future reference on the product.
 - This warranty may not include every detail of installation and operation. Please contact us for further information and help if needed.
- Notes**
- The product is intended for indoor use only. The product must be assembled and used in accordance with the provisions of the manual. Personal liability and product damage (including those caused by fire) are not covered by the limited warranty and/or product liability. Please contact us for further information and help if needed.
 - The seller does not assume any responsibility or liability with respect to any injury or damage caused by fire or not assembly in improper use.
 - Avoid use over excessive load and avoid overloading.
 - Keep the product away from moisture and high temperatures. Do not expose the product to direct sunlight.
 - Do not use any liquid on the surface of the product.
 - If there are any scratches or things on the surface, please clean them up immediately and contact us.
 - Please assemble the front on a smooth surface and do not place the unopened product directly on the ground to avoid product damage.
 - Please do not touch or use the product.
 - Please use gloves during the assembly of the assembly system to avoid scratches from any sharp edges.
 - Please read the instructions and follow the steps in the manual.
 - If the part does not match the file, please check the size as specified in the manual.
 - During assembly, first check all parts with the corresponding parts and then tighten the screws evenly.
 - Periodically inspect the tightness of the product in use. If necessary, tighten to ensure structural safety.
 - If you experience any noise or vibration during use, immediately stop use with a wrench.
 - Please keep the product away from water, oil, acid, alkali and other corrosive substances to prevent product damage.
 - Please do not use the product in a humid environment.
- Warnings**
- Children are not allowed to operate the product. During assembly, keep all small parts out of the reach of children as they may lead to swallow or inhaled.
 - Children are forbidden to play on the product to avoid injury from the top of the product.
 - Keep small parts out of the reach of children to avoid any potential danger, such as suffocation.
 - The maximum load capacity of each shelf is 20kg (44 lbs), maximum 10kg (22 lbs) per the hanging shelves. (Fig. 102-6).

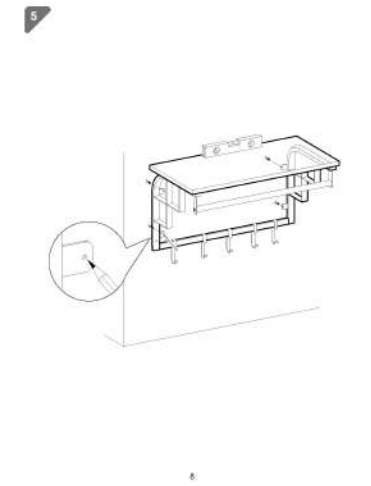
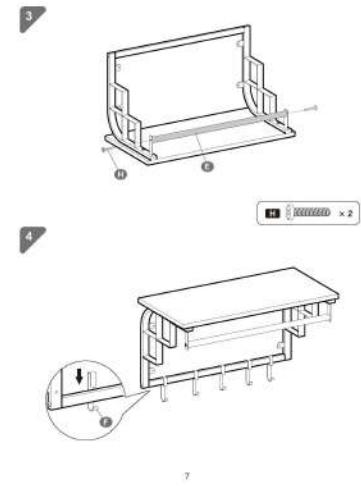
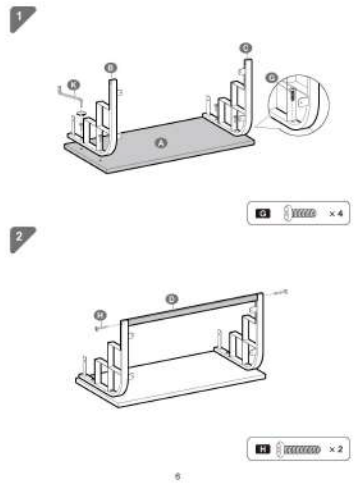


2

3

4

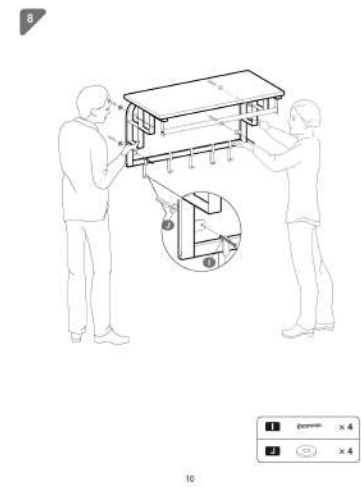
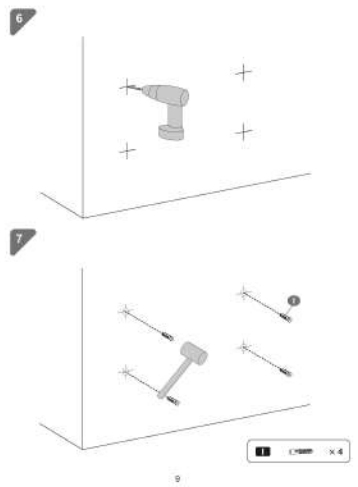
Tools Required:



5

7

6



10

1 x 4

1 x 4