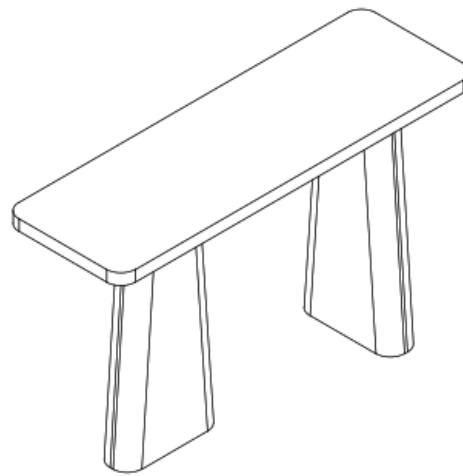


WOOD CONSOLE TABLE

Assembly Instructions

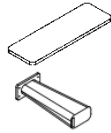


Every thing we make is incredibly simple to set up, including your new table. You won't need any additional tools.

Parts List

A x 1
TOP

B x 2
LEGS



Hardware List

HW1 x 8
Small cross Bolts 6x0.5x30mm

HW2 x 8
Flat washer 8mm

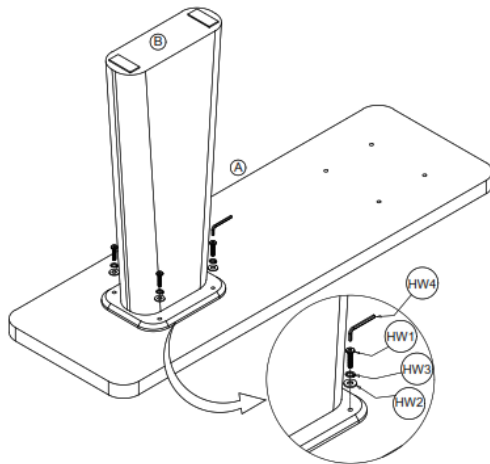
HW3 x 8
Spring washer 8mm

HW4 x 1
Allen Key



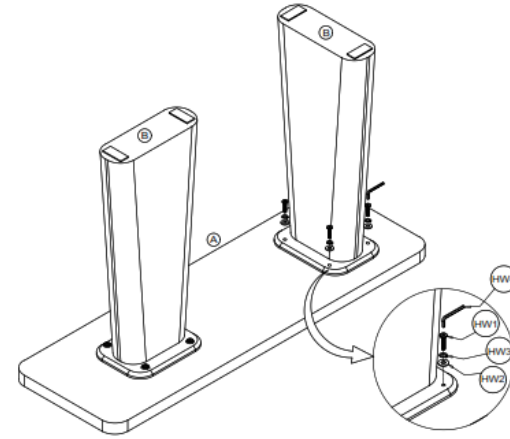
1

Place the Top (A) upside down on a soft surface. Align the Bolt holes underneath the Table Top (A) to the bolt holes on the Right Leg (B). Place the Flat Washer (HW2) and Spring Washer (HW3) on the Bolts (HW1) in the order shown below. Use the Allen Key (HW4) to screw in the Bolts.



2

Align the Bolt holes underneath the Table Top (A) to the bolt holes on the Left Leg (B). Place the Flat Washer (HW2) and Spring Washer (HW3) on the Bolts (HW1) in the order shown below. Use the Allen Key (HW4) to screw in the Bolts.



3

Place the Console Table in the place where you will use it. We'd love to see it.

