

10 YEAR MANUFACTURER'S LIMITED WARRANTY

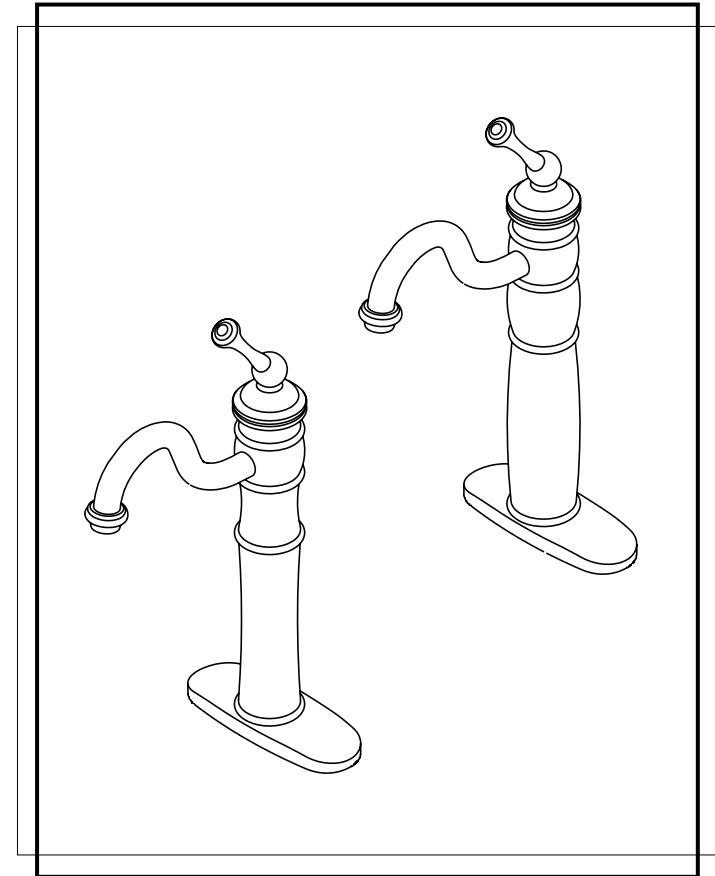
All parts of this Elements Of Design faucet are warranted to the original retail purchaser to be free from defects in material and workmanship for a period of ten(10) years from the date of purchase as shown on the purchaser's receipt. This warranty is limited to defective parts only, labor charges and/or damage resulting from improper installation, repair or replacements, as well as incidental and consequential damages connected therewith are excluded.

Any damage to this faucet as a result of misuse, abuse, neglect, accident for improper installation or any use not consistent with the instructions furnished by Elements of Design, will void this warranty. Replacement parts can be obtained from your local dealer.

CAUTION!!!

1. Water lines must be completely flushed before use, to avoid bris & clogs in your water system leading to malfunction and reduction of water flow.
2. Warranty to be void if water lines are not flushed before use of new faucet.
3. Use of abrasives of any strength may damage the finish of your faucet and void this warranty.

CODE APPROVAL: LA#M-000018



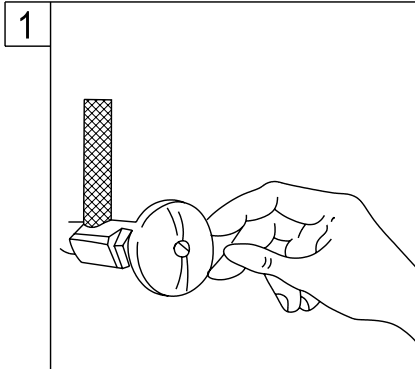
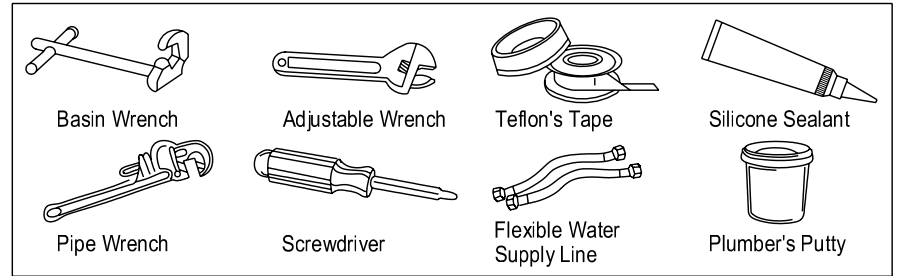
Elements
Of Design

T 909.465.6687 F 909.548.6843 1877.FAUCET.1
www.eodfaucet.com
email: support@eodfaucet.com

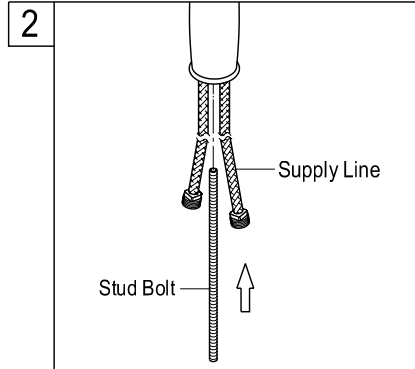
INSTALLATION SHEET

NOTE:

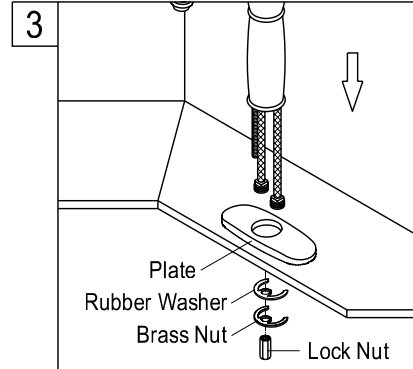
1. USE TEFLON TAPE ON ALL THREADED CONNECTIONS
2. FLUSH LINE BEFORE FAUCET INSTALLATION TO REMOVE DEBRIS IN LINES.
3. NO PLUMBER'S PUTTY ON ANY FINISH TO CORRODE FINISH OF FAUCET SURFACE.



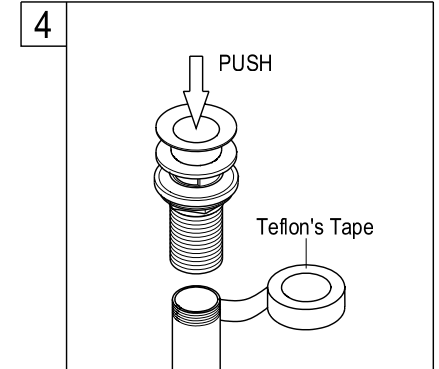
1. Shut off hot and cold water supply under sink. Plug sink drain with cloth to avoid losing small parts. Remove old faucet.



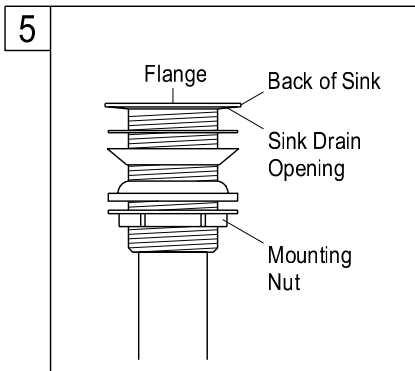
2. Inset the stud bolt into the faucet body. Screw the locknut and tighten it.



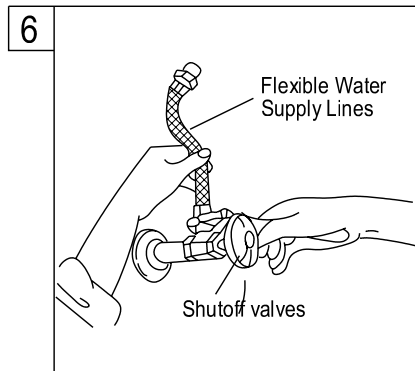
3. Align the faucet plate to the center hole of the basin, make both supply lines and brass stud to go through the base plate. Hold the faucet upright, secure rubber washer and brass nut from the bottom, and tight up lock nuts to secure faucet tightly on the basin.



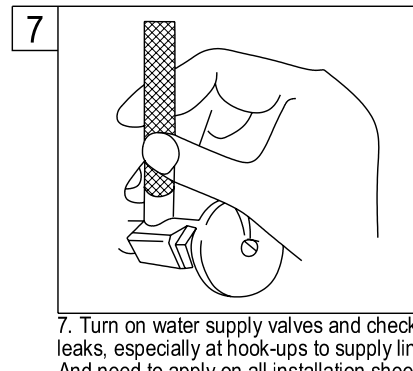
4. Thread mounting nut and bottom gasket onto drain body. Wrap top threaded end of the drain body with plumber's tape.



5. Install drain body up through the drain opening and reattach the flange onto drain body, holding the drain body in position with pivot rod opening facing the back of sink. Tighten the mounting nut by hand.



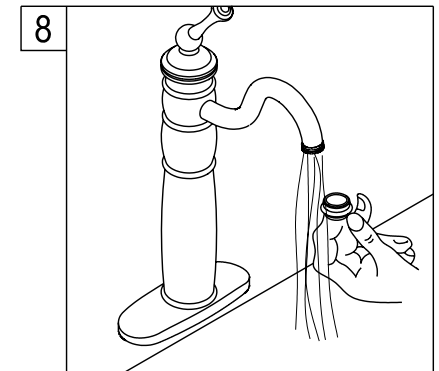
6. Connect the water supply lines. Before connecting the supply lines, apply pipe joint compound to the threads on the inlet shanks and shut off valves.



7. Turn on water supply valves and check for leaks, especially at hook-ups to supply lines. And need to apply on all installation sheet on Supply Line Connections.

Secure and tight up both inlet nuts and outlet nuts by wrench, and make sure both properly fastened not to cause leakage.

LEGAL DISCLAIMER : Do not connect supply lines to any vibration devise(refrigerator, washing machine, etc)or any un-secured plumbing fixture to cause breakage, leakage and damage.



8. Remove the aerator before turning on your new faucet for the first time. This is to prevent any deposits from clogging your aerator. Allow both hot and cold water to run for one minute. Replace aerator.