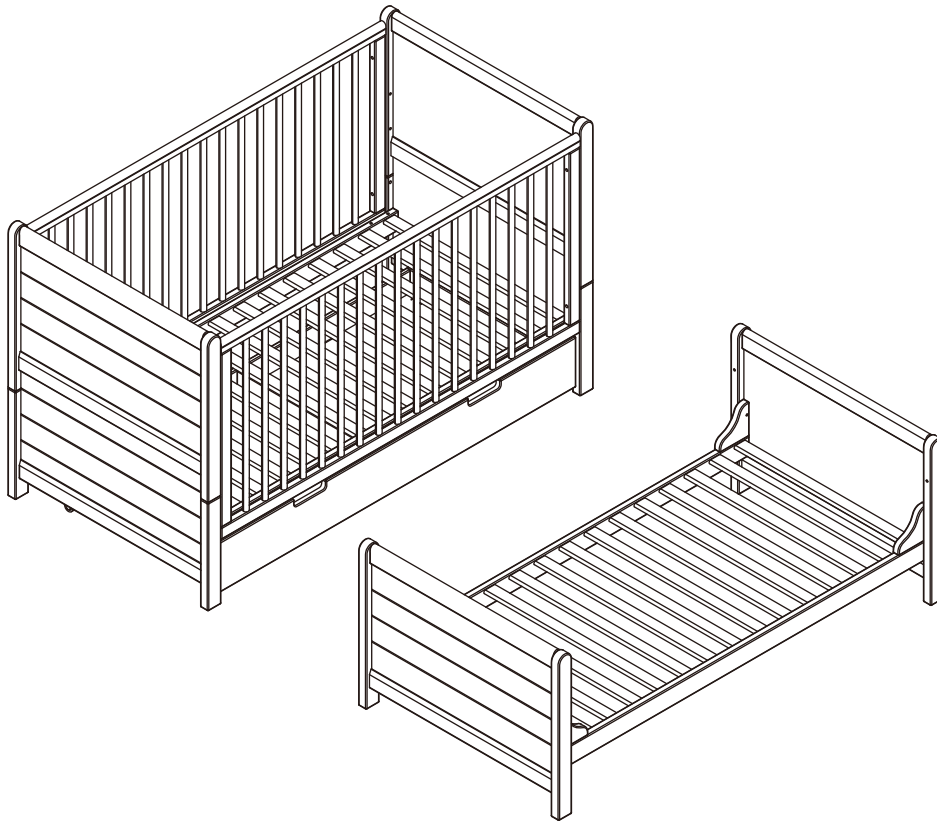


# Cot bed



**IMPORTANT - RETAIN FOR FUTURE  
REFERENCE. READ CAREFULLY.**

***WARNING : DO NOT LEAVE YOUR CHILD UNATTENDED -  
YOUR CHILD'S SAFETY IS YOUR RESPONSIBILITY***

# **THESE INSTRUCTIONS ARE IMPORTANT – PLEASE READ CAREFULLY AND RETAIN FOR FUTURE REFERENCE**

We strongly suggest you spent a short time reading through this leaflet and then follow the simple step by step guide to assembly.

## **WARNING : Do not leave your child unattended.**

The correct use and maintenance of your changer will ensure it gives long and trouble free use. Remember the safety of the child is your responsibility.

## **MATERIAL**

Your cotbed is made in solid pine and MDF. Pine is a totally natural material therefore no two pieces are ever identical in pattern or colour. As pine furniture gets older its colour may change due to being exposed to light and air, so any new pieces may look a shade different to those you already have. Don't be concerned about this, as the colour difference will diminish over a small period of time.

Every piece has its unique appearance.

To keep the natural aspect, the surfaces were coated with a protective lacquer. The beauty of your furniture can be maintained, cleaning it with a soft cloth. Occasionally a damp cloth, followed by a soft dry one, may be used.

All furniture can be damaged by knocks and scrapes – if you dent the surface or break the seal of the lacquer, apply some solid wax to exclude the atmospheric moisture.

## **ASSEMBLY**

Before starting the assembly, please read through these instructions. Then carefully unpack your cotbed and check that you have a complete set of parts against the list.

We recommend that you assemble your cotbed on a clean, flat surface, making sure there are no sharp object present that may mark or damage the panels.

## **CAUTION**

There are many small components used in the construction of this cotbed. These items should be kept out of reach of young children whilst assembling the unit.

## **INSTRUCTIONS FOR SAFE USE**

Thank you for choosing our product, Please take a little time to read the important safety notes detailed below, this will ensure many years of happy, safe use.

- Recommended mattress size 140 x 70cm, and the minimum mattress is 136 x 66cm, this is minimum size of mattress to be used with the cot. The length and width shall be such that the gap between the mattress and the sides and ends does not exceed 30 mm

## **WHEN THIS ITEM IS IN COT MODE:**

The age range is from birth to 18 months.

- **Warning:** Be aware of the risk of open fire and other sources of strong heat, such as electric bar fires, gas fires, etc. in the near vicinity of the cot.

- **Warning:** Do not leave anything in the cot or place the cot close to another product, which could provide a foothold or present a danger of suffocation or strangulation, e.g. strings, blind/curtain cords, etc.
- **Warning:** Do not use more than one mattress in the cot.
- The lowest position is the safest and that the base should always be used in that position as soon as the baby is old enough to sit up.
- The thickness of the mattress used shall be such that the internal height (surface of the mattress to the upper edge of the cot frame) is at least 500mm in the lowest position of the mattress base and at least 200mm in the highest position of the mattress base.
- All assembly fittings should always be tightened properly, checked periodically, and care should be taken that no screws are loose, because a child could trap parts of the body, or clothing (e.g. strings, necklaces, ribbons for babies' dummies), which could pose a risk of suffocation and strangulation.
- The safety of the cot could be adversely affected by fitting flammable drapes.
- To prevent injury from falls that when the child is able to climb out of the cot, the cot shall no longer be used for that child

## **WHEN THIS ITEM IS IN BED MODE:**

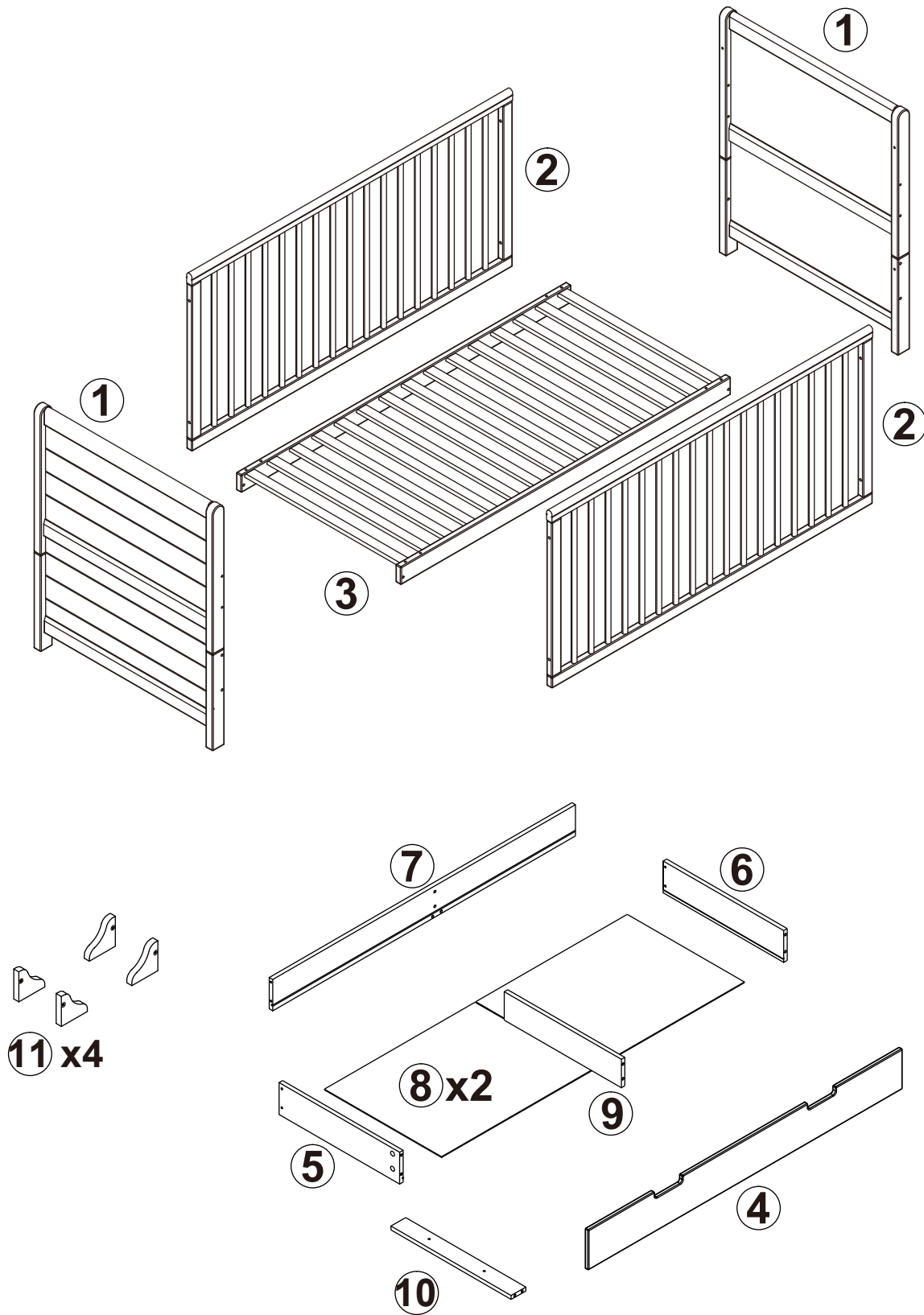
the minimum age shall not be less than 18 months and the maximum age shall not be more than 4 years old.

- **WARNING.** Do not place this child's bed near heat sources, windows and other furniture.
- **WARNING.** Do not use this child's bed if any part is broken, torn or missing.
- Children are likely to play, bounce, jump and climb on beds, therefore the child's bed should not be placed too close to other furniture or windows, and should be placed either tight to any wall or have a gap of 300 mm between the wall and the side of the bed.
- Designed And Manufactured To BS EN 716:2008.

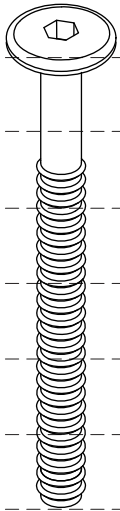
## **CARE & MAINTENANCE**

- Scuff marks may be removed with a damp cloth.
- Occasional use of furniture polish will maintain the good looks of your cot.
- Periodically check all screw fixings to ensure they remain tight.

# PARTS

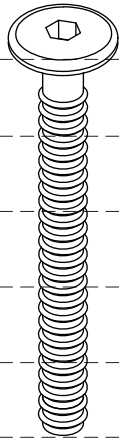


# HARDWARES



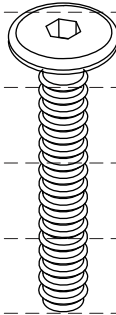
**8X**  
M6x60mm

**A**  
Bolt



**8X**  
M6x50mm

**B**  
Bolt

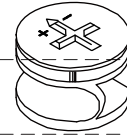


**8X**  
M6x35mm

**C**  
Bolt



**8X**  
**D**  
Cam-Bolt



**8X**  
**E**  
Cam-Lock

6cm  
5cm  
4cm  
3cm  
2cm  
1cm  
0cm



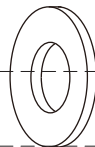
**10X**  
M4x35mm

**F**  
Screw

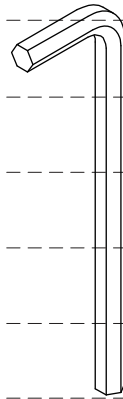


**10X**  
M3x16mm

**G**  
Screw

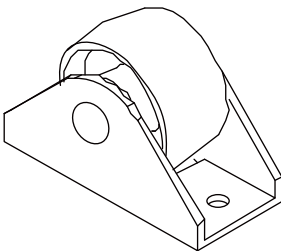


**24X**  
Dia.12x1mm  
**H**  
Plastic  
Washer



**1X**  
**I**  
Allen Key

5cm  
4cm  
3cm  
2cm  
1cm  
0cm

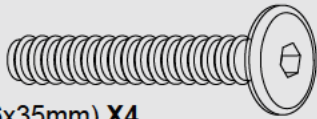


**5X**  
**J**  
Wheel

# COT MODE ASSEMBLY

1.

C



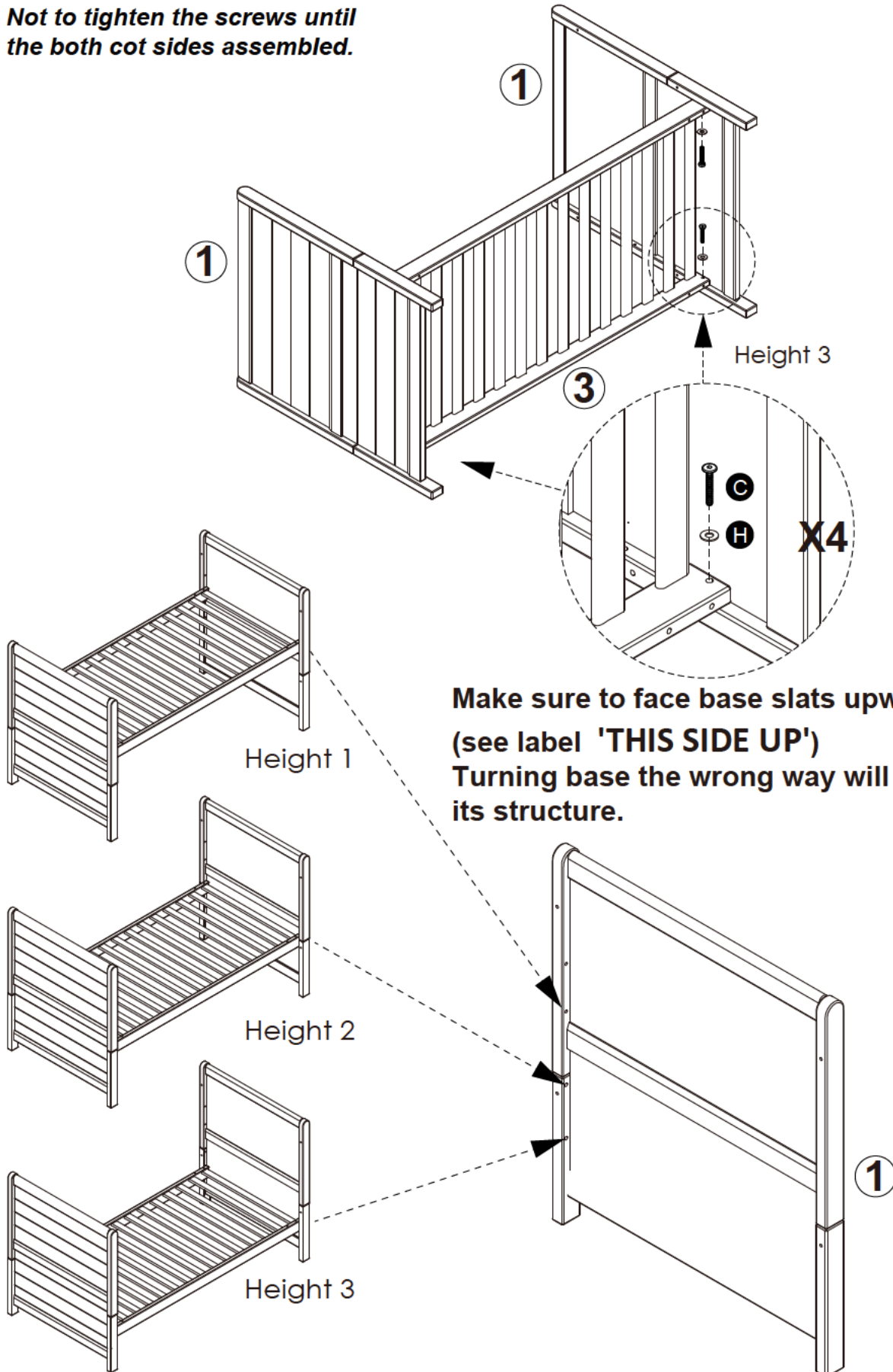
Bolt (M6x35mm) X4

H



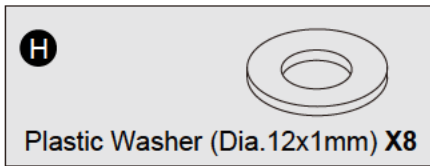
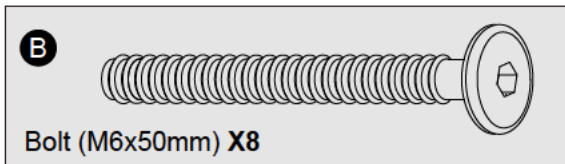
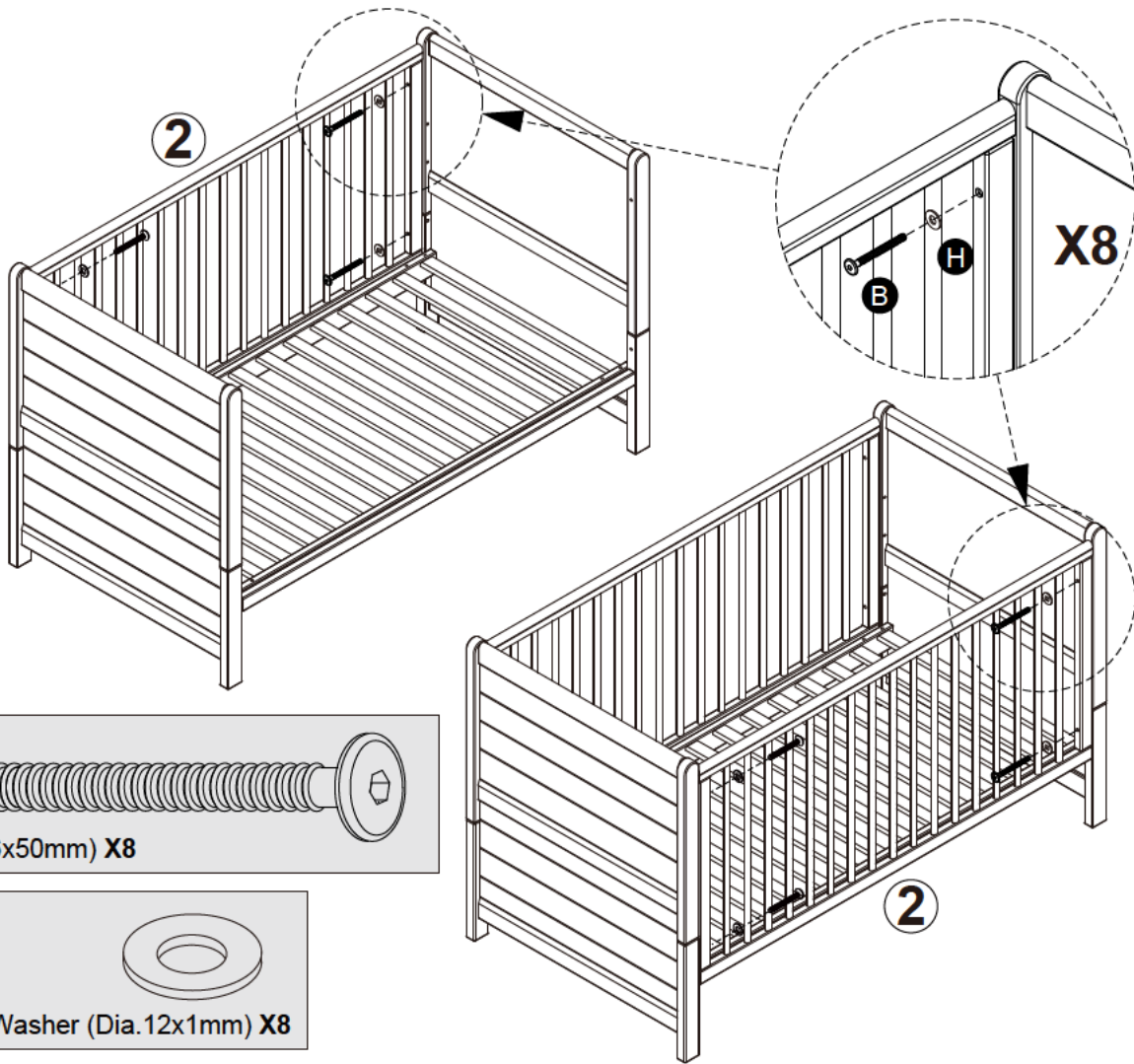
Plastic Washer (Dia.12x1mm) X4

**Not to tighten the screws until the both cot sides assembled.**

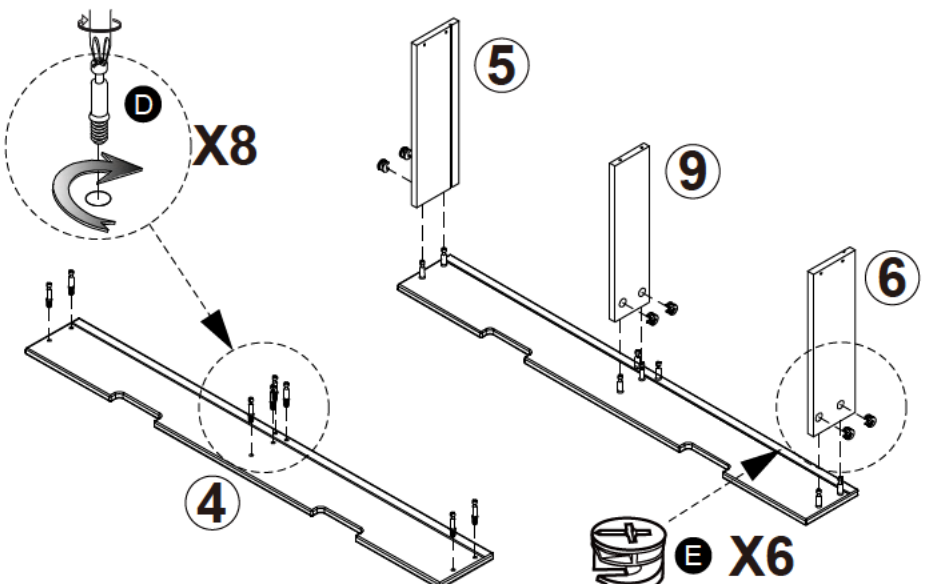
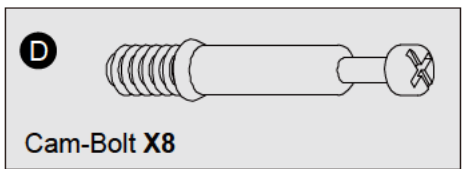


**Make sure to face base slats upwards (see label 'THIS SIDE UP')  
Turning base the wrong way will weaken its structure.**

**2. Tighten all the screws for both sides and base.**

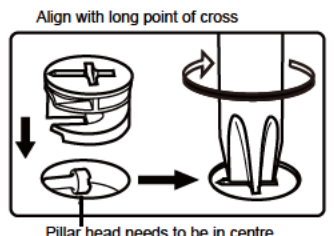
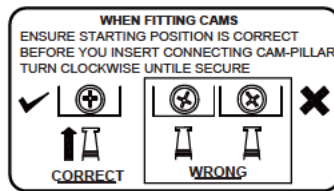
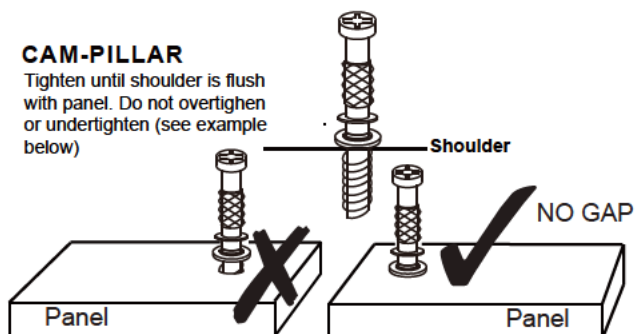


**3.**

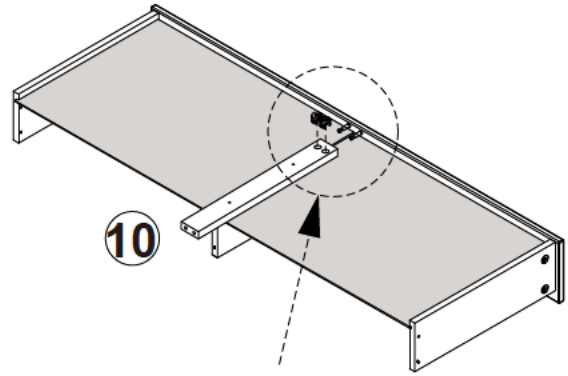
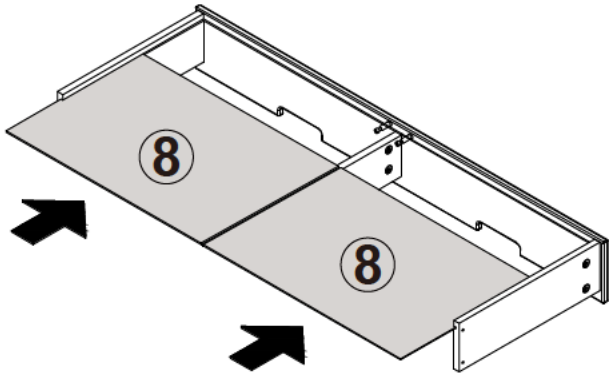


**CAM-PILLAR**

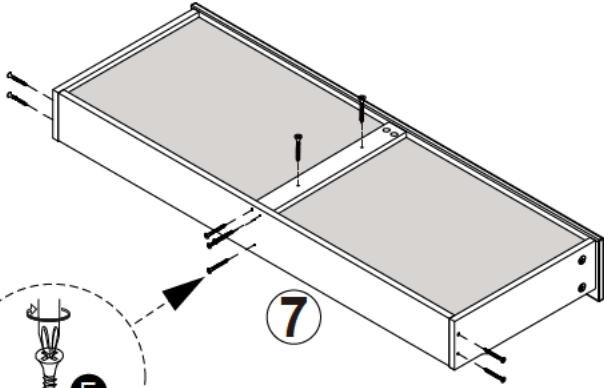
Tighten until shoulder is flush with panel. Do not overtighten or undertighten (see example below)



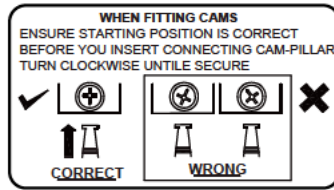
4.



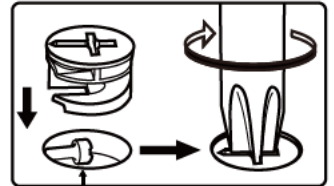
CAM-LOCK  **E X2**



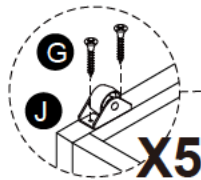
**F X10**



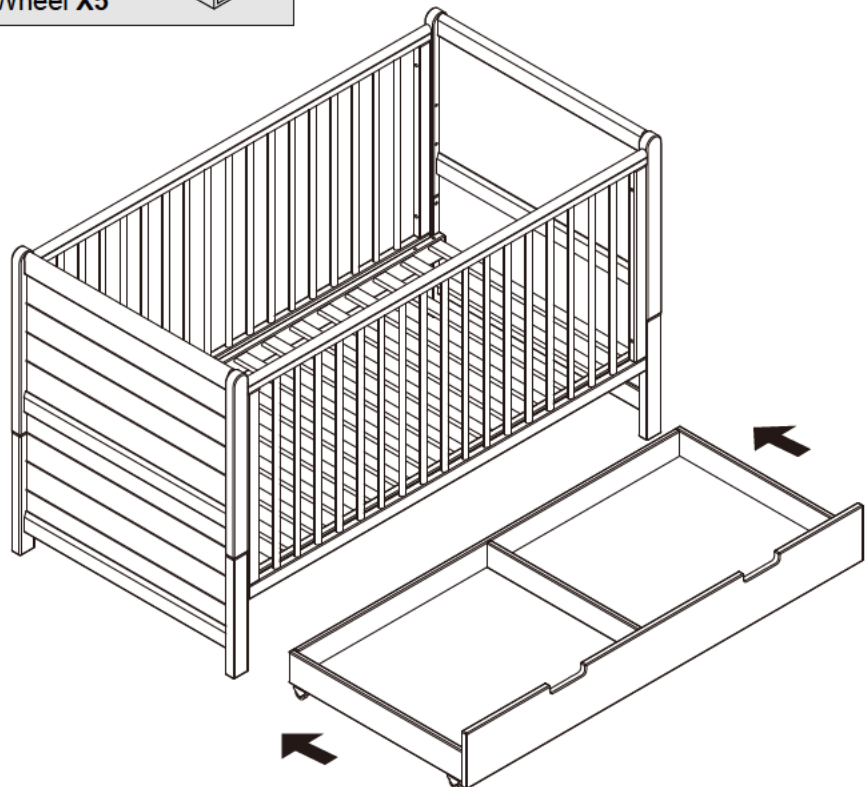
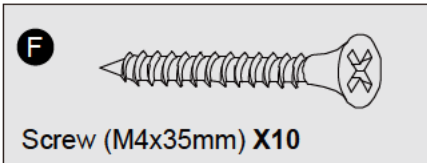
Align with long point of cross



Pillar head needs to be in centre

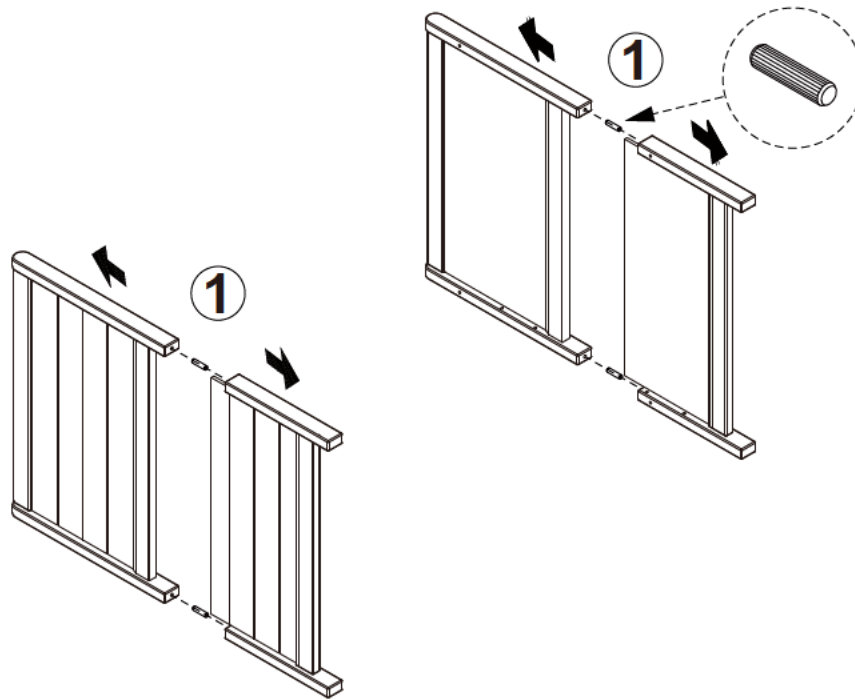


**X5**

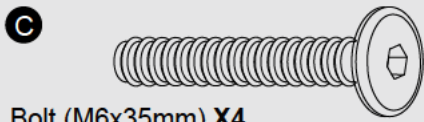


# JUNIOR BED MODE ASSEMBLY

1.



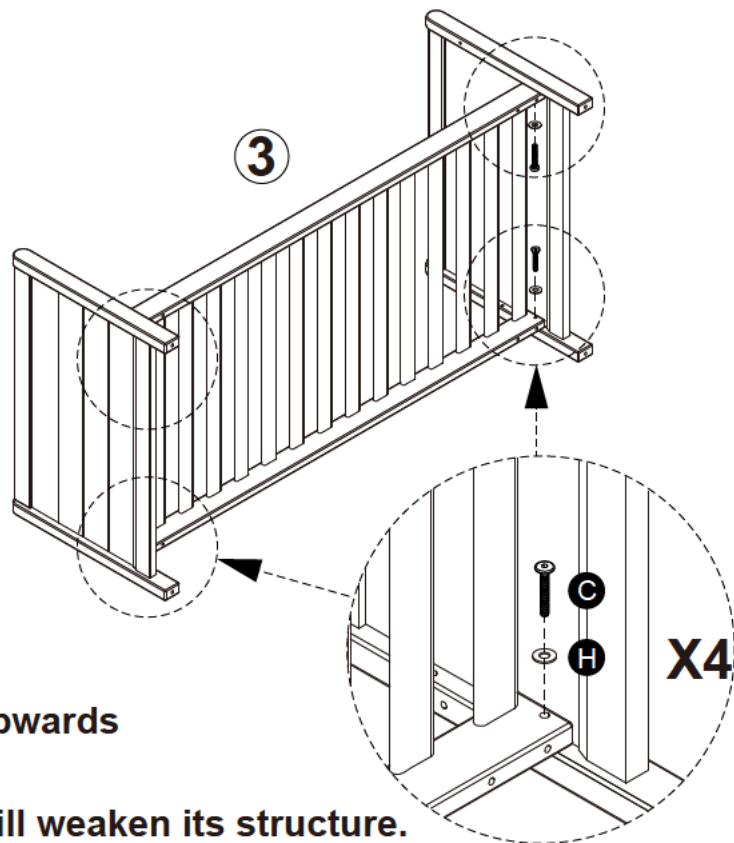
2. *Not to tighten the screws until the brackets assembled.*



Bolt (M6x35mm) X4

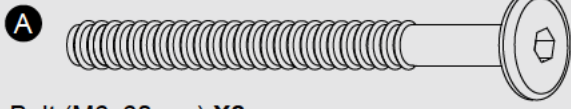


Plastic Washer (Dia.12x1mm) X4

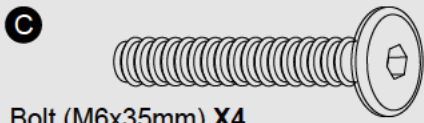


Make sure to face base slats upwards  
(see label 'THIS SIDE UP')  
Turning base the wrong way will weaken its structure.

### 3. Tighten all the screws for brackets and base.



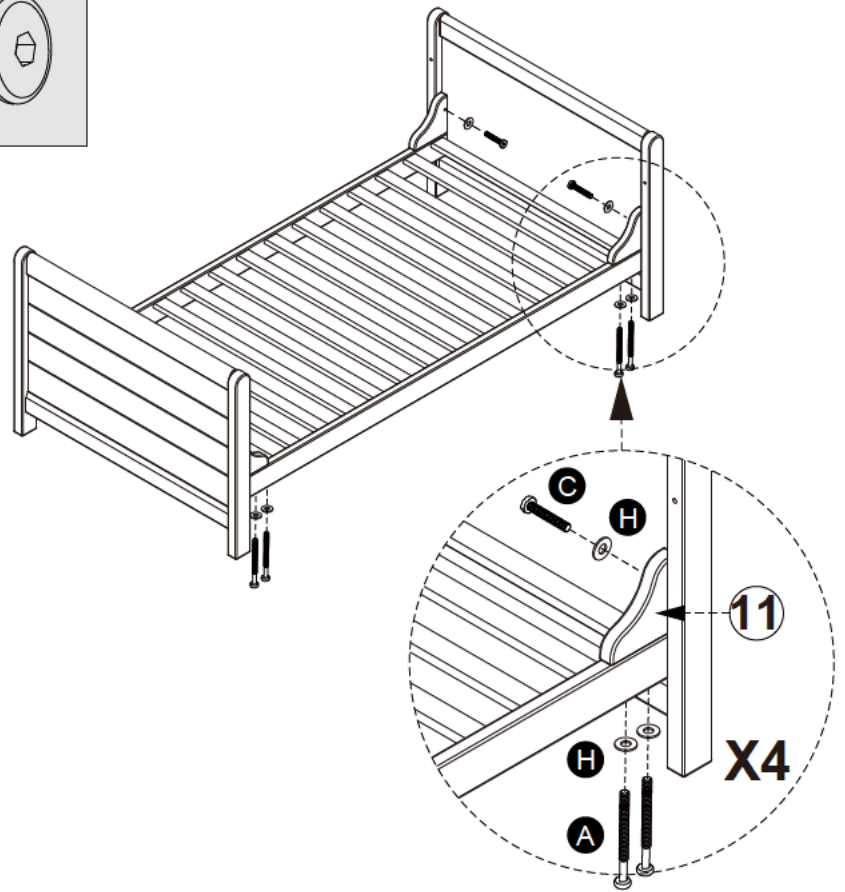
Bolt (M6x60mm) X8



Bolt (M6x35mm) X4



Plastic Washer (Dia.12x1mm) X12



### 4.

