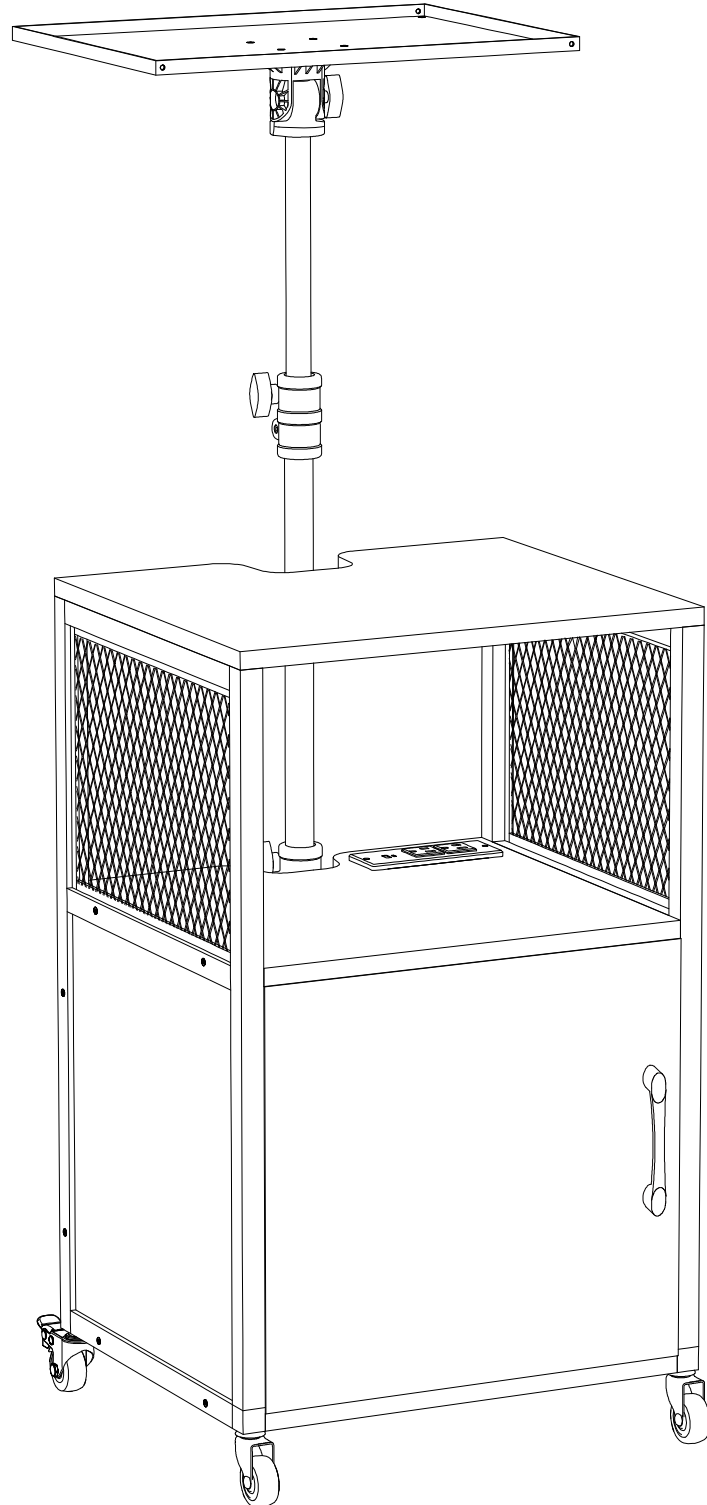


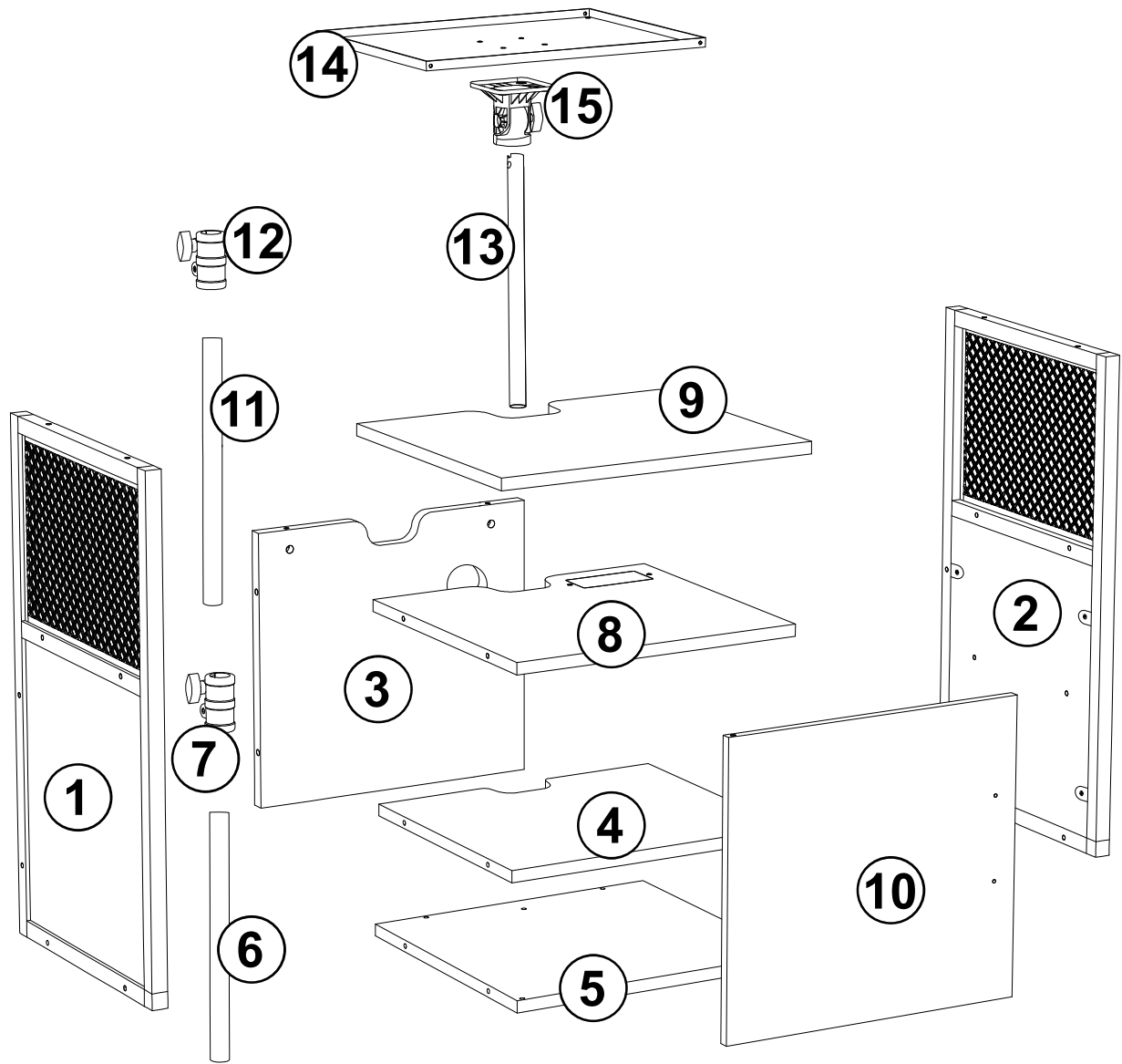
**GDLF<sup>®</sup>**







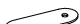




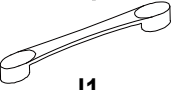


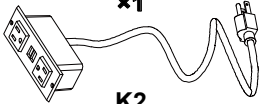










# Assembly Instructions

## Mobile Projection Cabinet HOU790

Note: Please follow the instructions for more convenient installation.

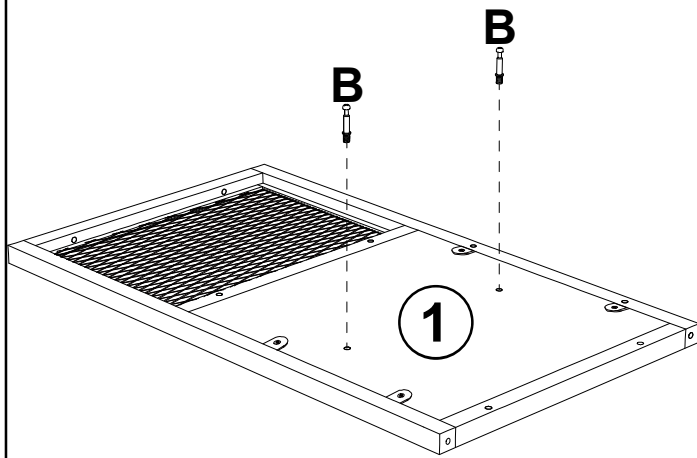





<b>A</b>	<b>x14(+1)</b>	<b>B</b>	<b>x6(+1)</b>	<b>C</b>	<b>x6(+1)</b>	<b>D</b>	<b>x4(+1)</b>	<b>E</b>	<b>x4(+1)</b>
									
<b>Ø 6x40mm</b>						<b>Ø 6x30mm</b>		<b>Ø 3x12mm</b>	
<b>F</b>	<b>x1</b>	<b>x1</b>	<b>G</b>	<b>x2</b>	<b>x2</b>	<b>H</b>	<b>x1</b>	<b>I</b>	<b>x2</b>
									
<b>F1</b>		<b>F2</b>	<b>G1</b>	<b>G2</b>					
<b>J</b>	<b>x1</b>	<b>x2(+1)</b>	<b>K</b>	<b>x2(+1)</b>	<b>x1</b>	<b>L</b>	<b>x1</b>	<b>M</b>	<b>x1</b>
									
<b>J1</b>		<b>J2</b>	<b>K1</b>	<b>K2</b>				<b>M1</b>	<b>M2</b>
		<b>Ø 4x18mm</b>	<b>Ø 4x14mm</b>					<b>Ø 4x14mm</b>	
<b>N</b>	<b>x1</b>	<b>x1</b>	<b>O</b>	<b>x4</b>	<b>x4</b>	<b>P</b>	<b>x1</b>	<b>x1</b>	
									
<b>N1</b>	<b>N2</b>	<b>N3</b>	<b>O1</b>	<b>O2</b>		<b>P1</b>	<b>P2</b>		
<b>Ø 8x50mm</b>									

# STEP1

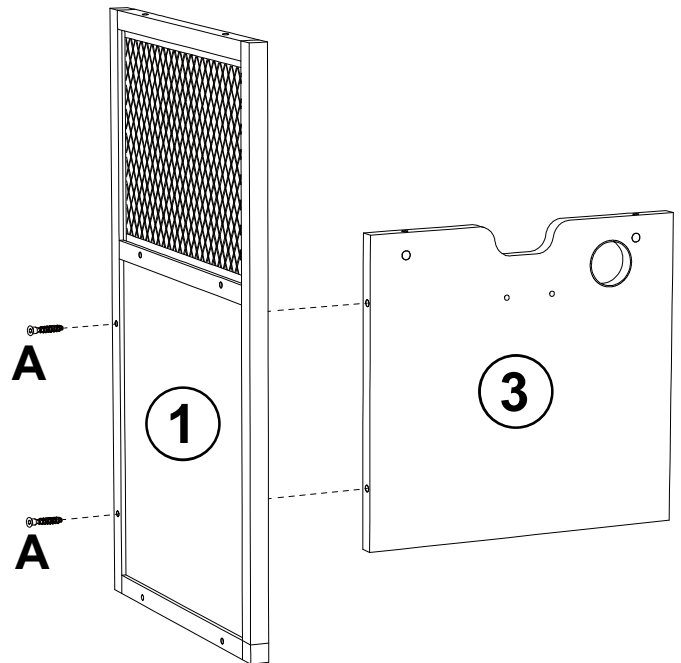
Tighten Bolts Bx2 flush into Part #1 as shown.




B	x2
	

# STEP2

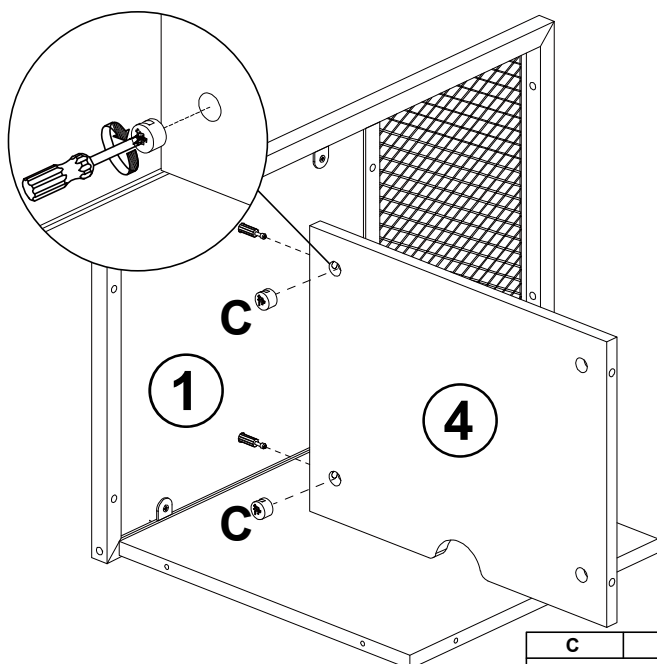
Attach the Part #1 and Part #3 with Screws Ax2.




A	x2
	
Ø 6x40mm	

# STEP3

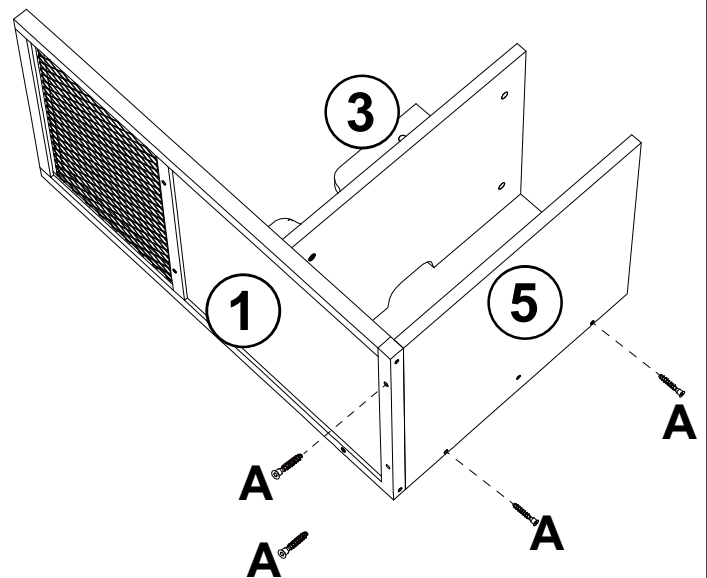
Connect the Part #1 and Part #4 as shown and Connector Nut Cx2-Turn Connector Nuts to lock into place with bolts to tighten.




C	x2
	

# STEP4

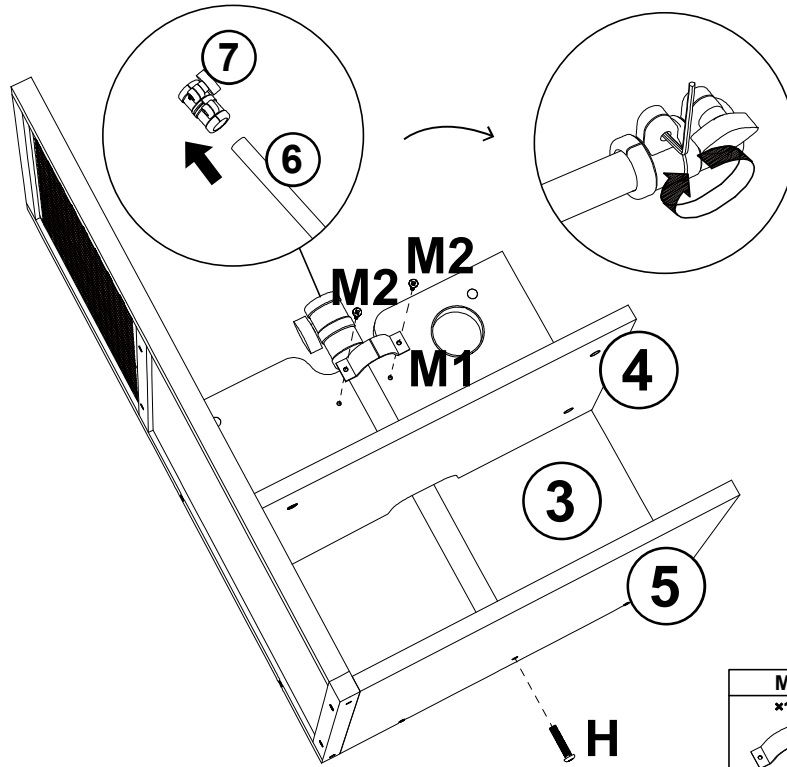
Attach Part #1 and Part #3 and Part #5 using Screws Ax4.



A	x4
	
Ø 6x40mm	

# STEP5

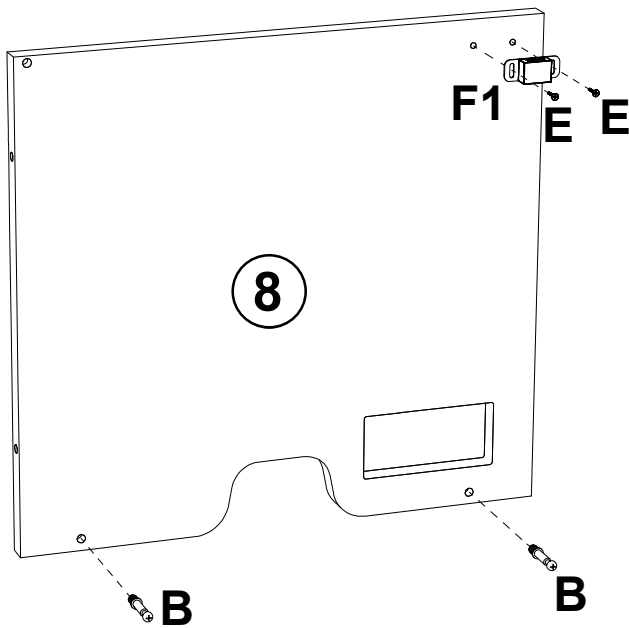
Connect Part #6 and Part #7 as shown and tighten the built-in screw on Part #7 to secure it. Attach Part #M1 to fasten the support pipe to the backboard as shown using Screw M2x2. Connect the bottom of the pipe to Part #5 using Screw H.



M	x1	x2	H	x1
M1		M2		
		Ø 4x12mm		

# STEP6

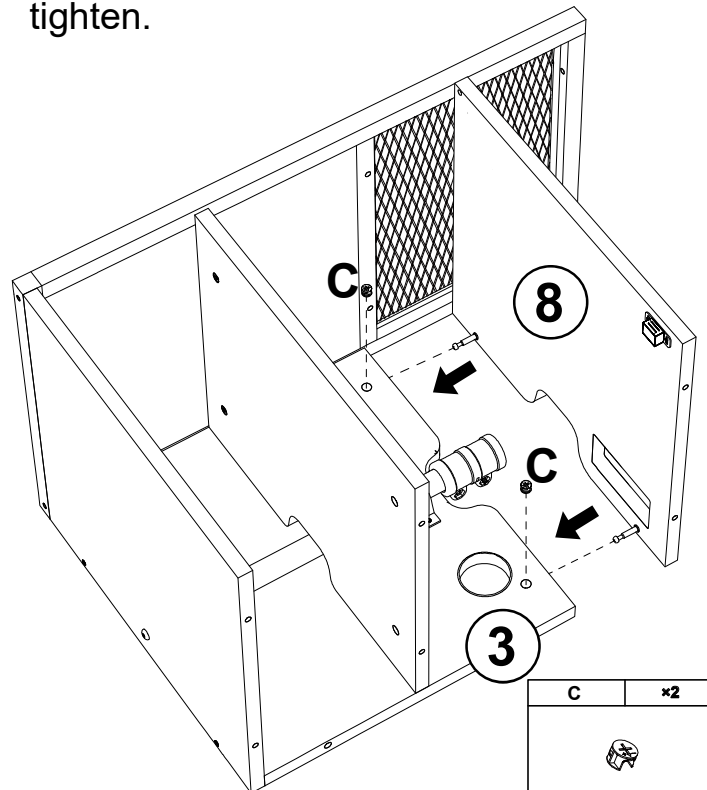
Tighten Bolts Bx2 flush into Part # 8 as shown. Install door catch (F1) using Screw Ex2.



F1	x1	E	x2	B	x2
		Ø 3x12mm			

# STEP7

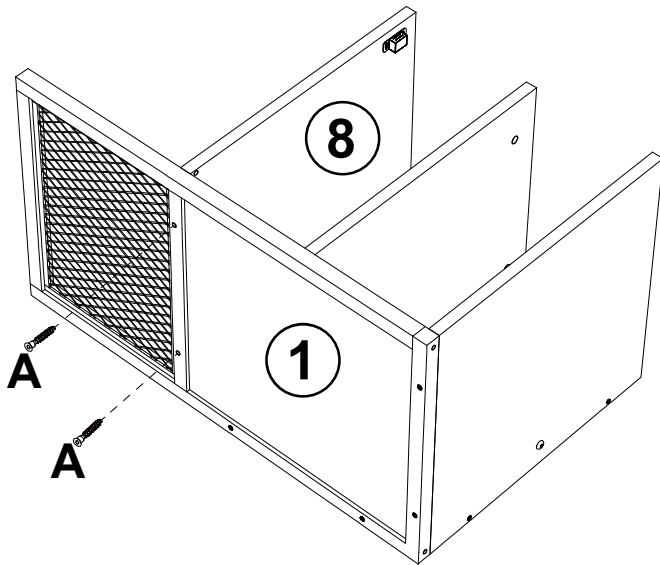
Connect Part #3 and Part #8 as shown using Connector Nut Cx2-Turn Connector Nuts to lock into place with bolts to tighten.




C	x2

## STEP8

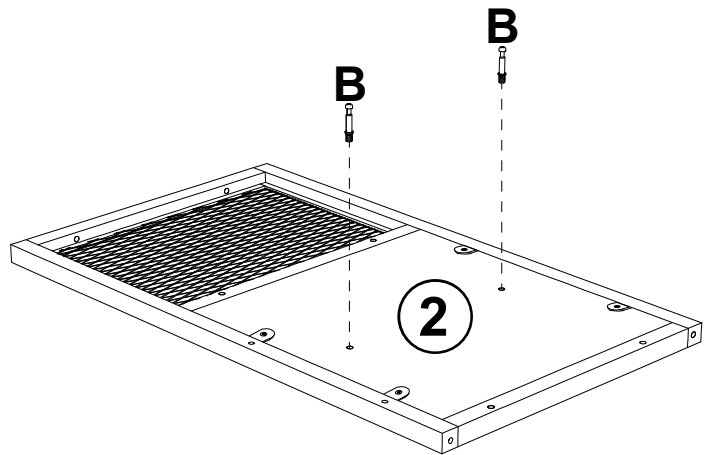
Attach Part #1 and Part #8 with Screw Ax2.




A	x2
	
Ø 6x40mm	

## STEP9

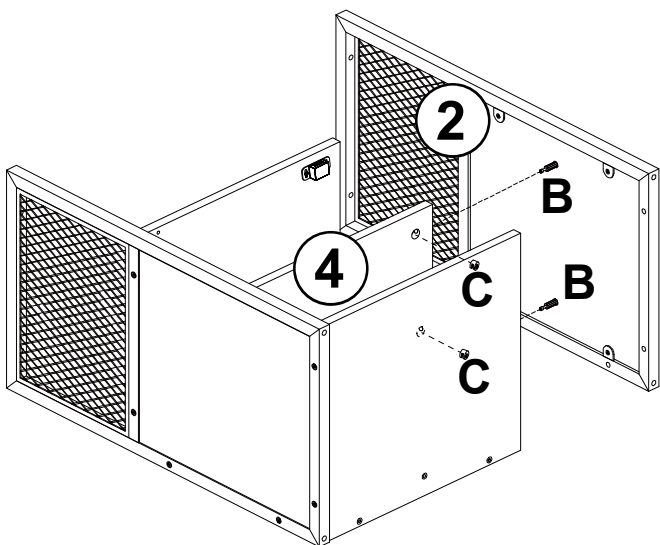
Tighten Bolts Bx2 flush into Part #2 as shown.




B	x2
	

## STEP10

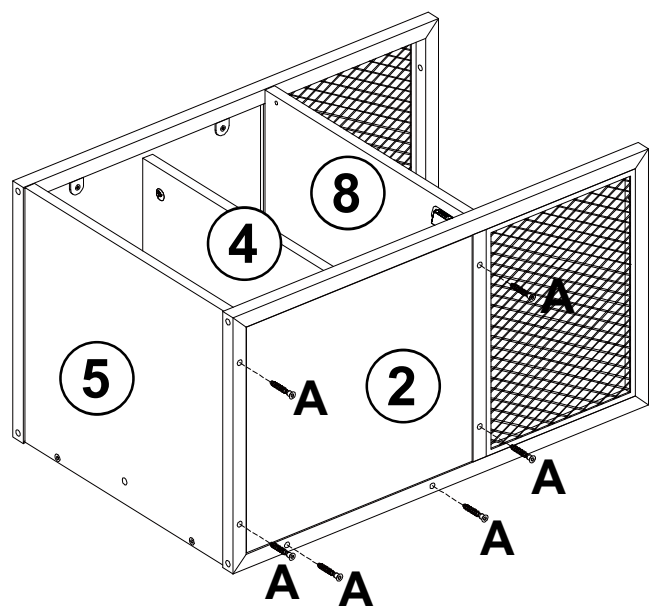
Connect Part #2 and Part #4 as shown with Connector Nuts Cx2-Turn Connector Nuts to lock into place with bolts to tighten.




C	x2
	

## STEP11

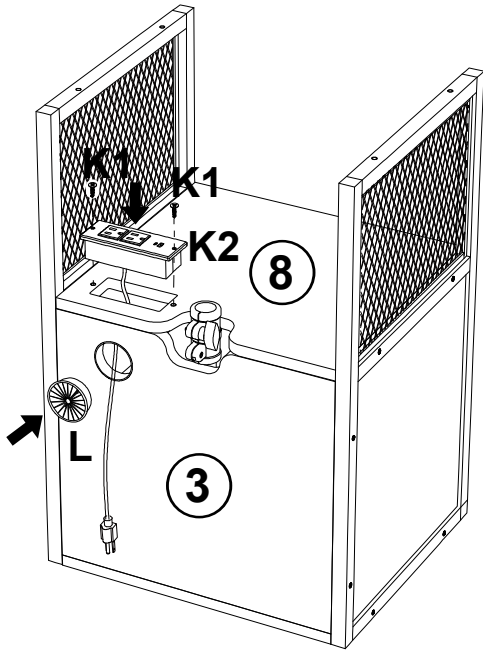
Attach Part #2 to Part #5 and Part #8 with Screws Ax6.



A	x6
	
Ø 6x40mm	

## STEP12

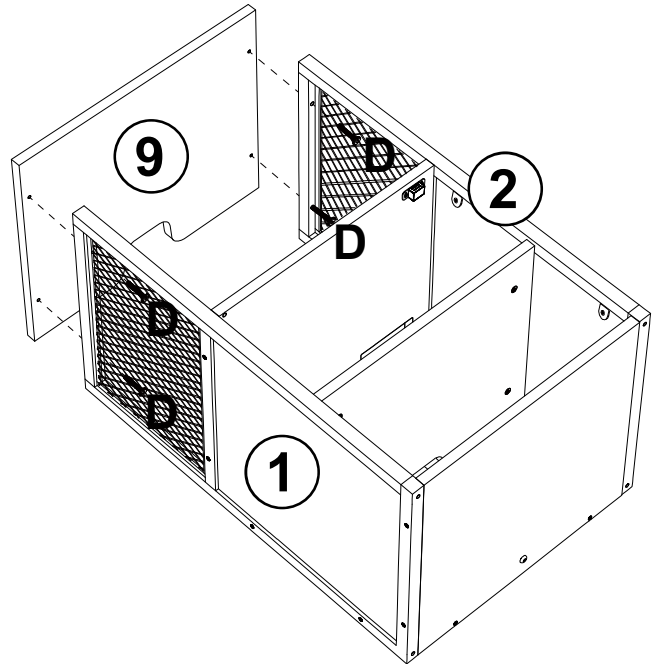
Insert Socket K2 into the hole of Part #8 and secure it using Screw K1x2. Insert component L into the hole of Part #3.



L	x1	K	x1
		K1	K2
		Ø 4x12mm	

## STEP13

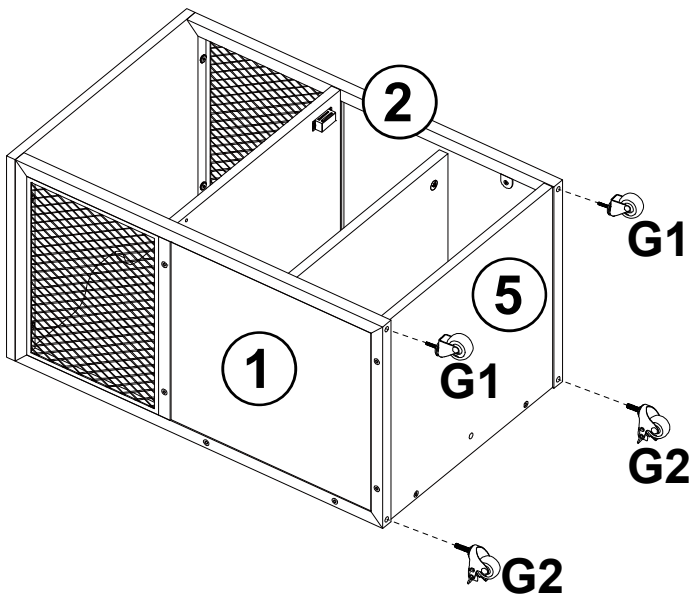
Attach Part #9 and Part #2 and Part #1 with Screw Dx4.



D	x4
Ø 6x30mm	

## STEP14

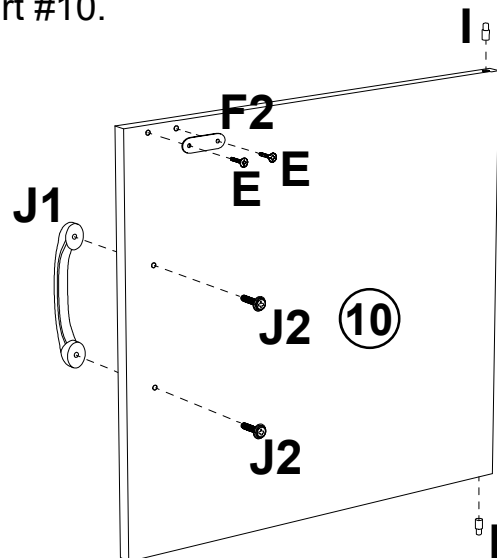
Install Wheels (G1 x2 and G2 x2).



G	x2	G	x2
G1		G2	

## STEP15

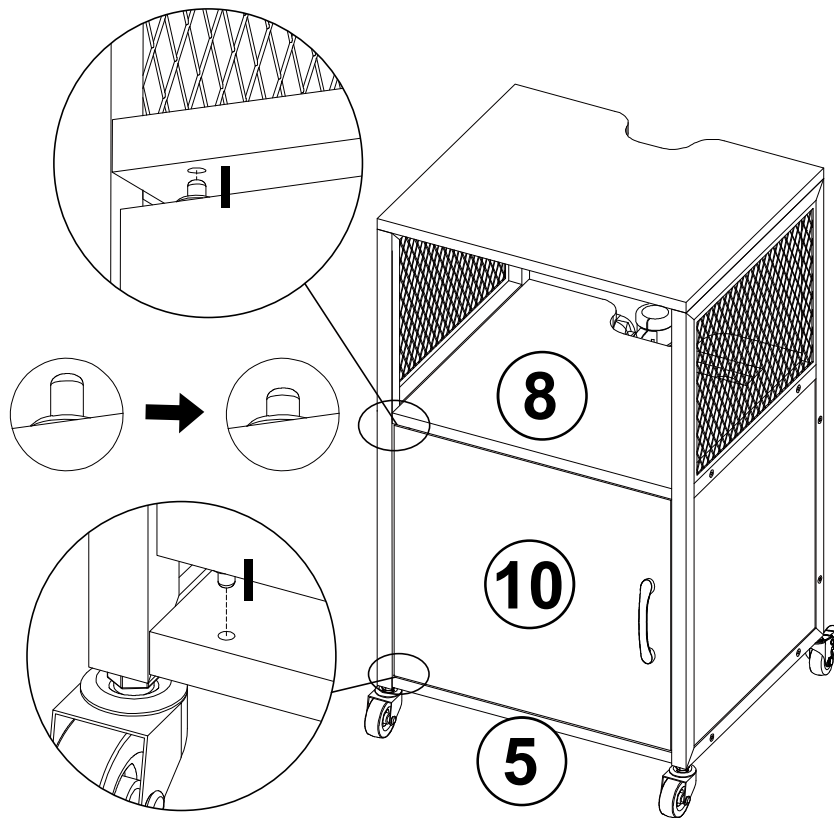
Install Accessoires (F2) using Screw Ex2 onto Parts #10 as shown. Install Door Knob (J1) on Parts #10 using Screws (J2)x2. Insert hardware (I)x2 into the hole of Part #10.



J	x1	J	x2	I	x2	F2	x1	E	x2
J1		J2							
		Ø 3x16mm						Ø 3x12mm	

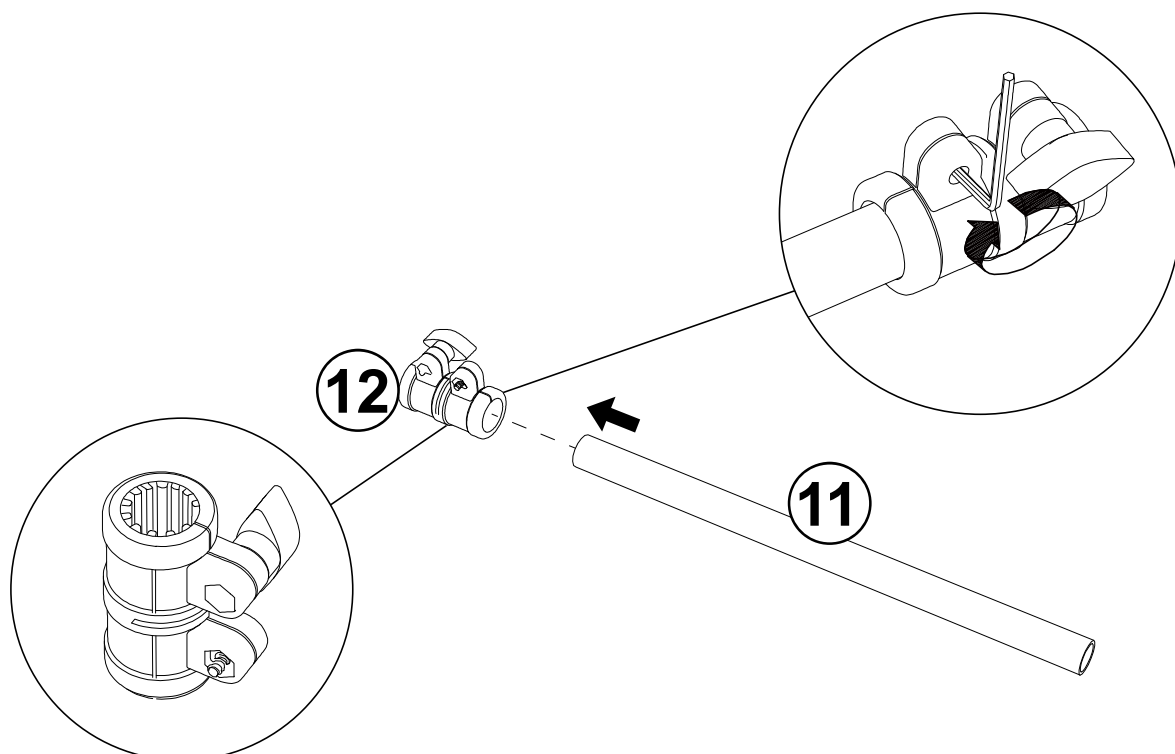
## STEP 16

Install the door panel, press Hardwares (I) and snap it into the holes of Part #8 and Part #5.



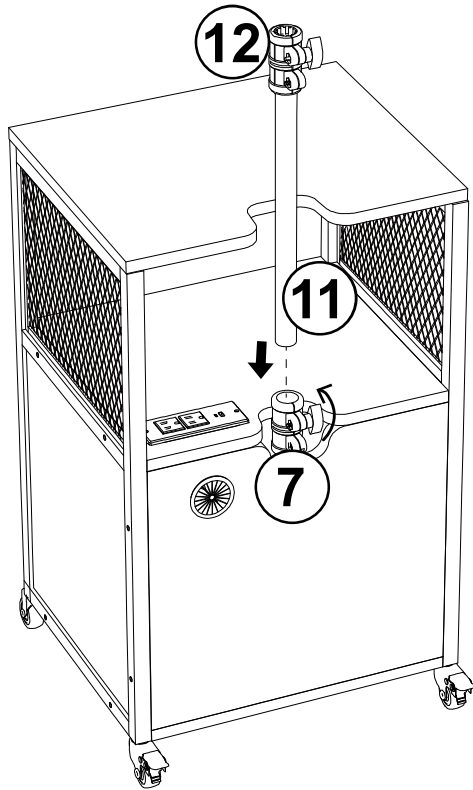
## STEP 17

Connect Part #11 and Part #12 as shown and tighten the built-in screw on Part #12 to secure it.



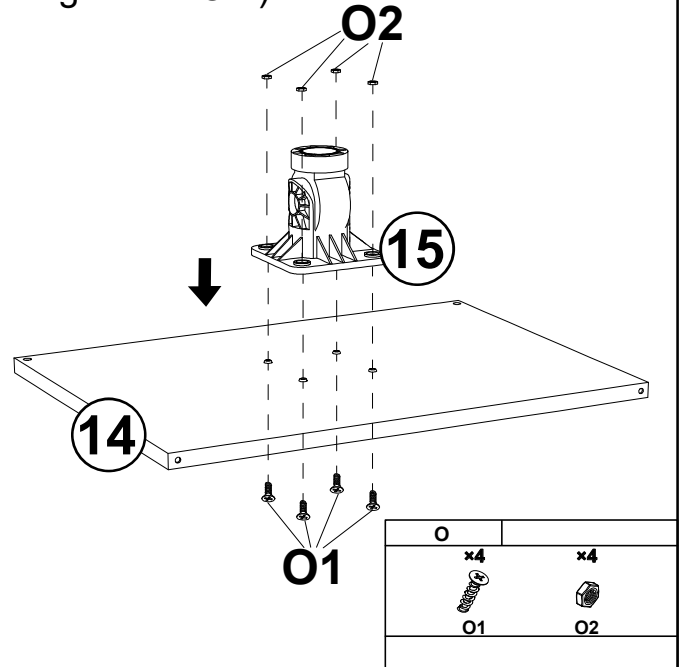
## STEP18

Connect the Part #7 and Part #11 as shown and tighten the knob on Part #7 to secure it.



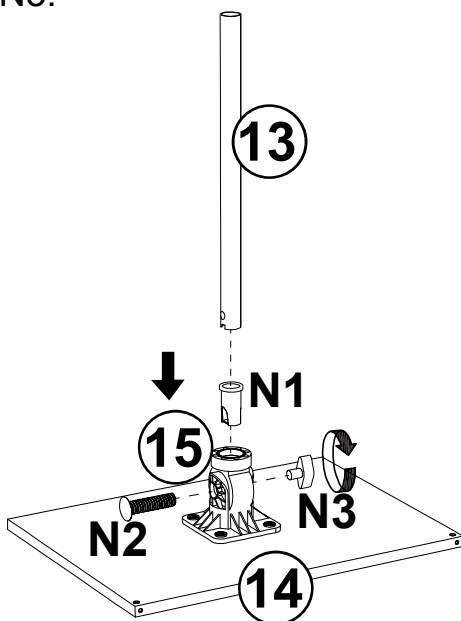
## STEP19

Align Part #14 and Part #15 with the designated holes, and then connect them using Screw O1x4 and Nut O2x4. (Please note that component 15 has nut slots, making it more convenient to insert nut O2 into the slots before tightening screw O1.)



## STEP20

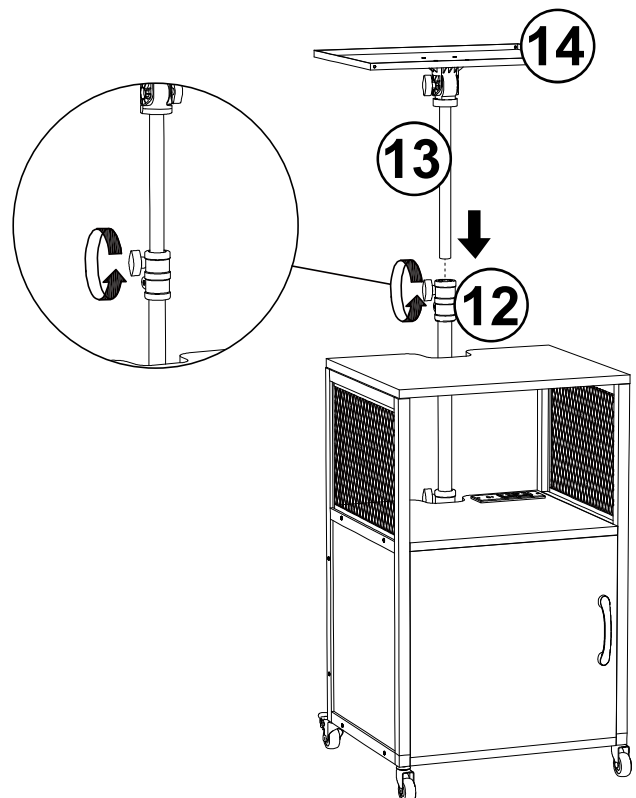
Connect Accessory N1 and Part #13 as shown, align the screw hole position, put Screw N2 through the hole, and tighten Knob N3.



N	x1	x1
	N2	N3
Ø 8x50mm		

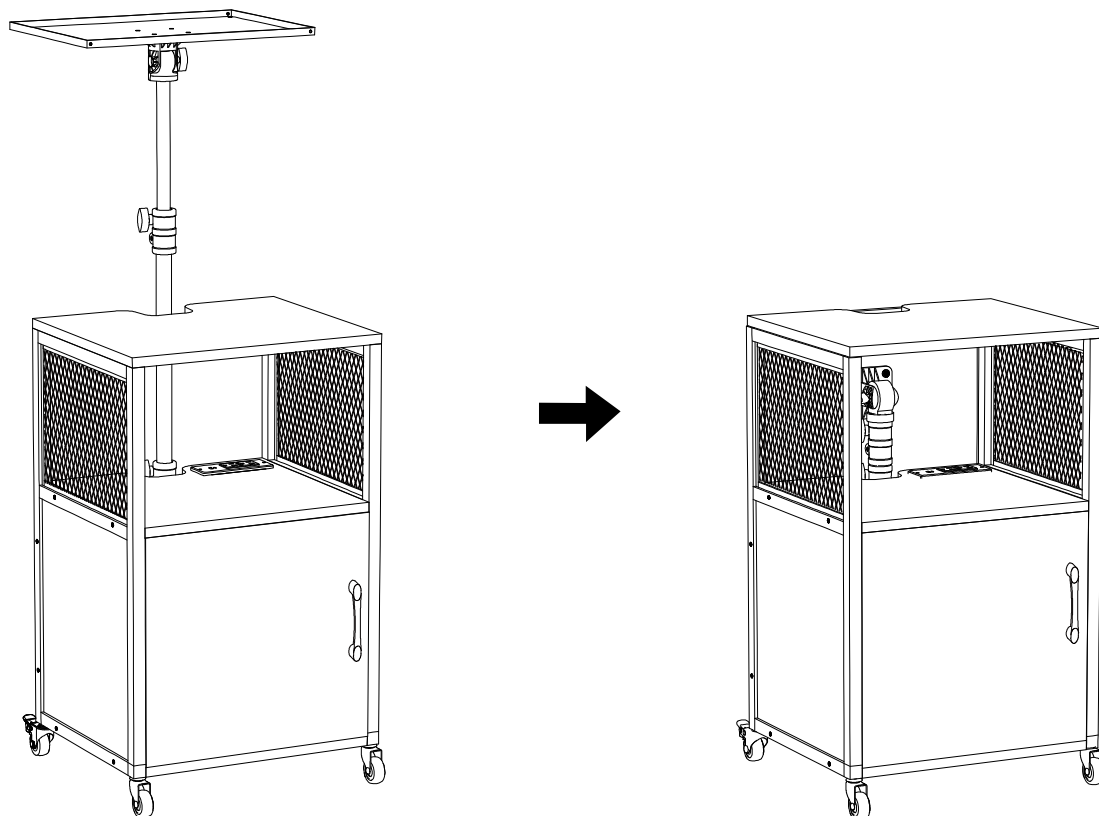
## STEP21

Connect Part #12 and Part #13 as shown and tighten the knob on Part #12 to secure it.



The height can be adjusted by adjusting the knob on the black plastic Part #7 and 12.

Pay attention to the knob loosening and you need to hold the tray by hand to prevent injury.



The product comes with two elastic belts and a sponge cushion, which can be used according to your own needs.

