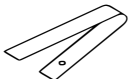



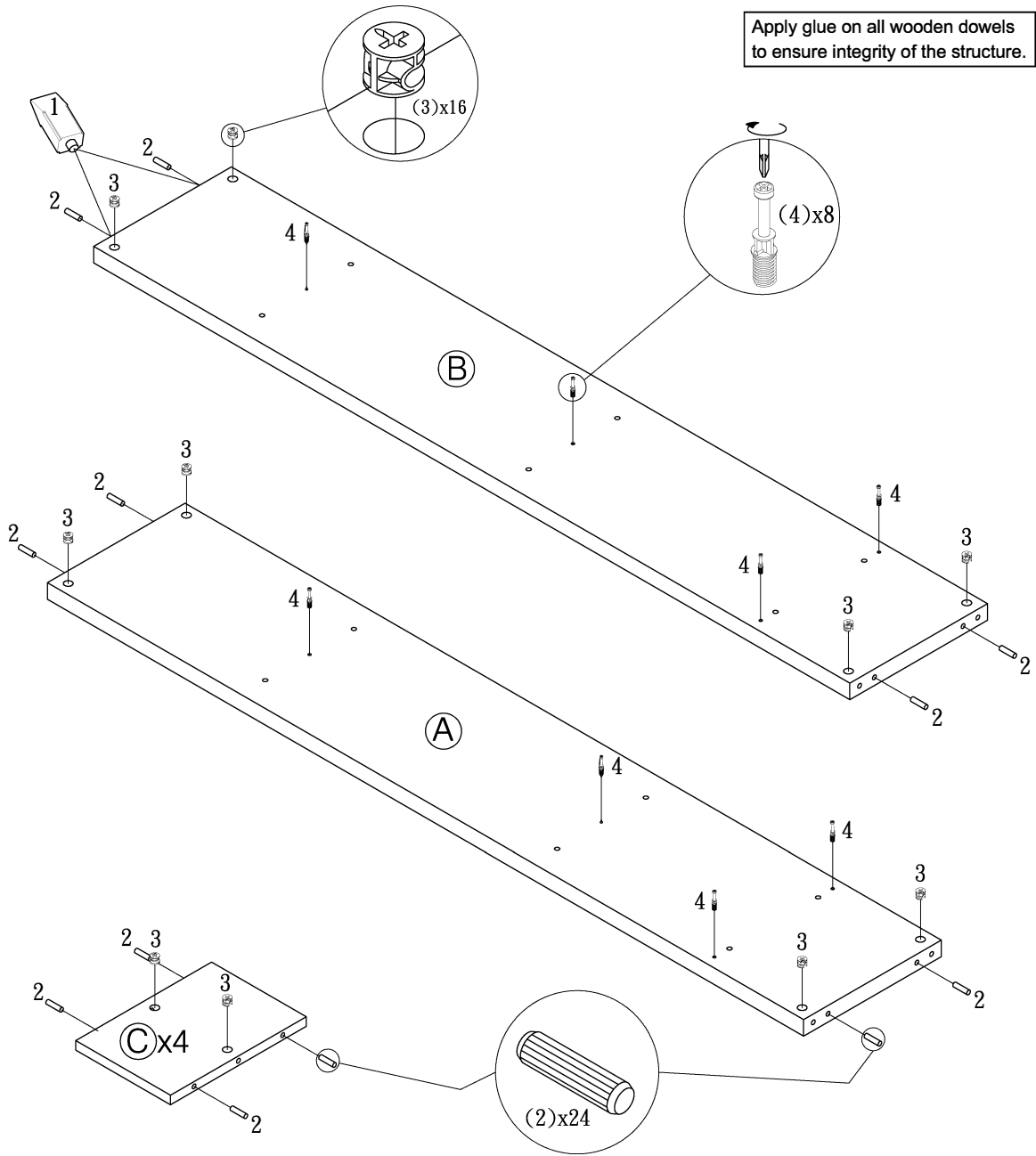


ASSEMBLY INSTRUCTION

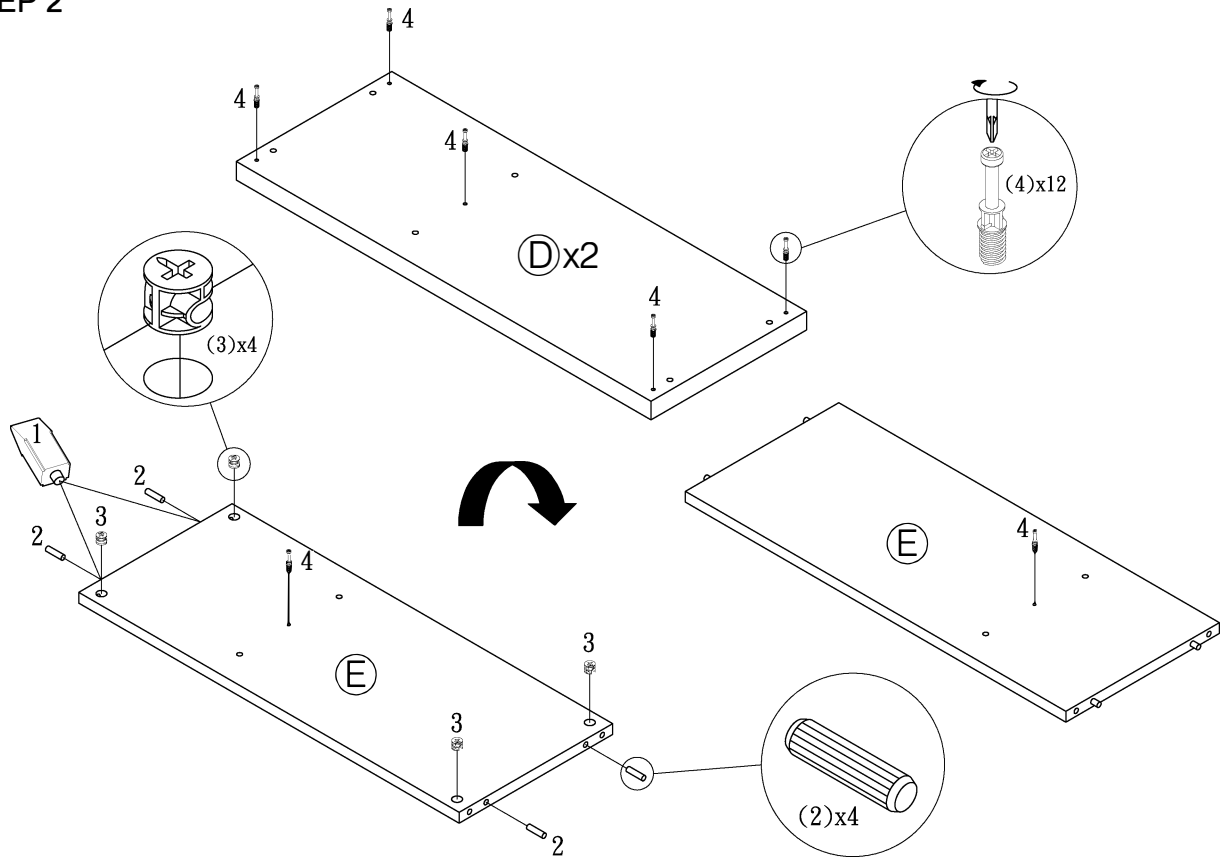
Z							
HARDWARE PACKAGE							
NO	DESCRIPTION	FIGURE	Q'TY	NO	DESCRIPTION	FIGURE	Q'TY
6	ANTI-TIP STRAP 170x15mm		2PCS	8	WALL SCREW Ø4x25mm		2PCS
7	WALL PLUG 6x30mm		2PCS	9	SCREW Ø4x16mm		2PCS

STEP 1

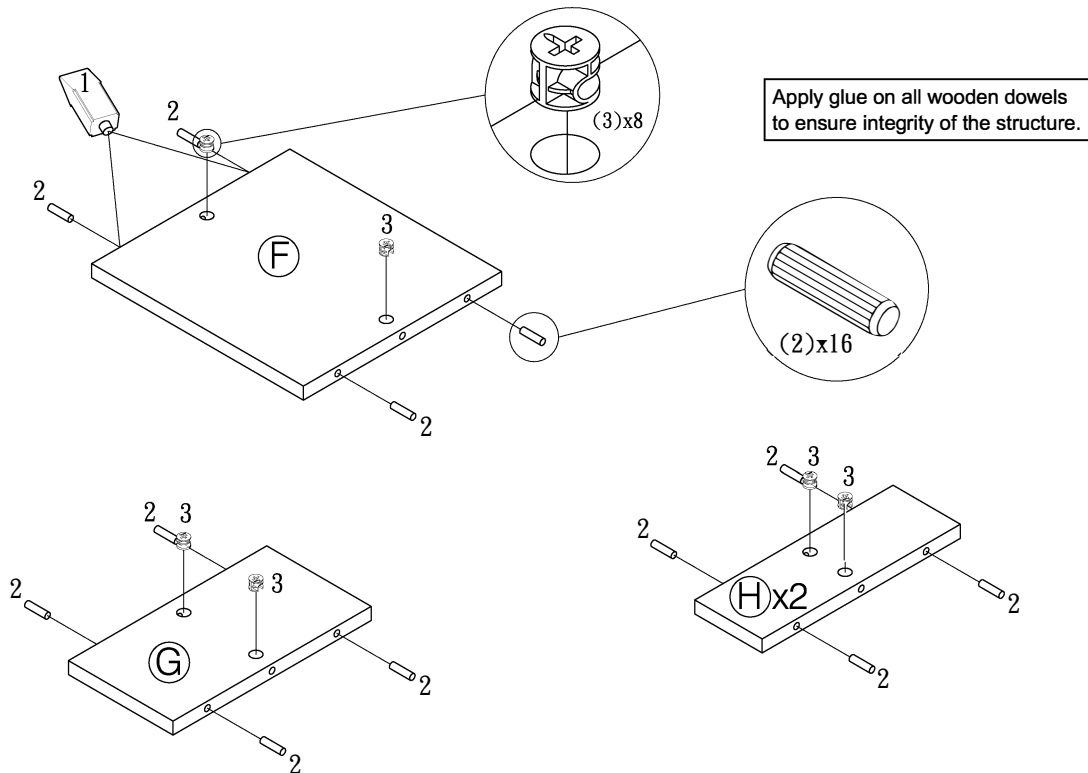


ASSEMBLY INSTRUCTION

STEP 2

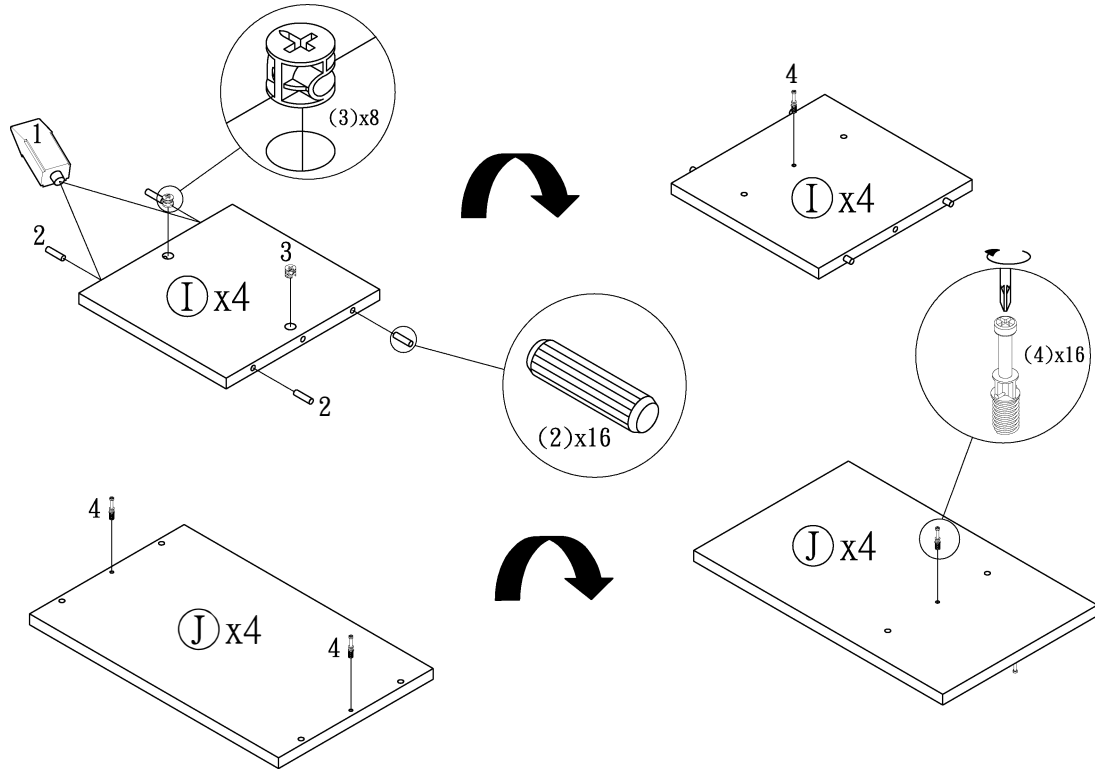


STEP 3

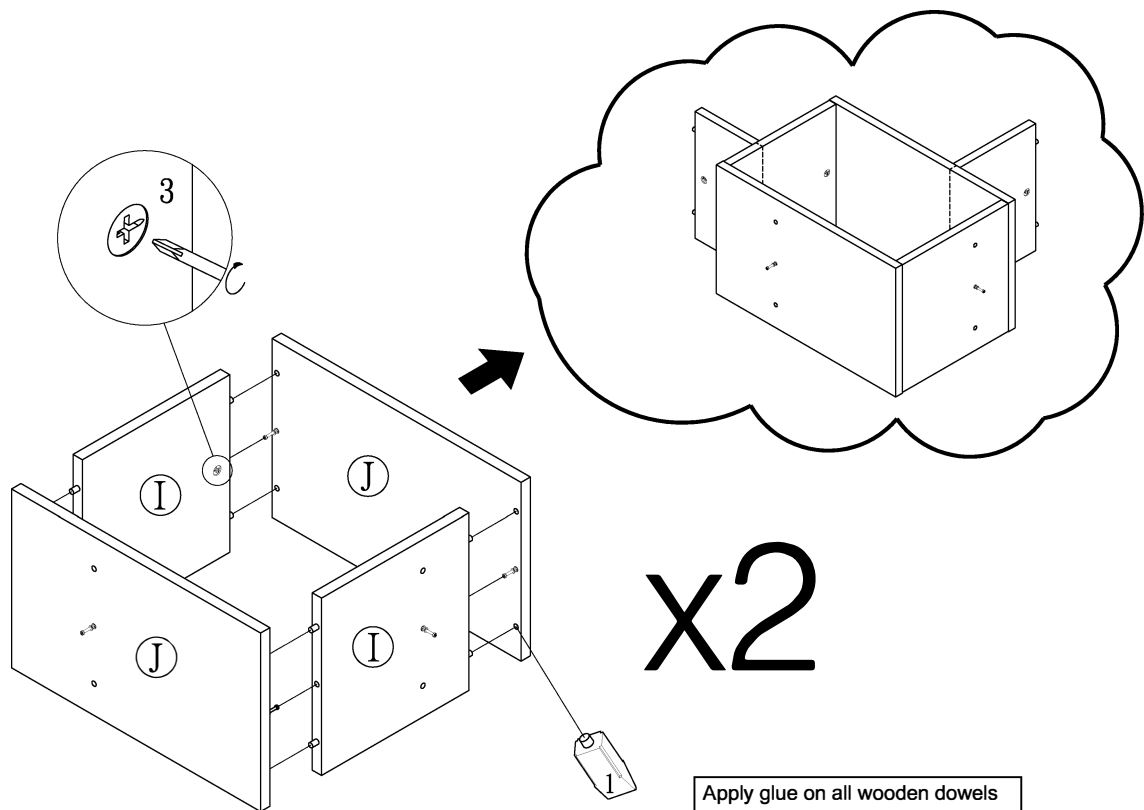


ASSEMBLY INSTRUCTION

STEP 4

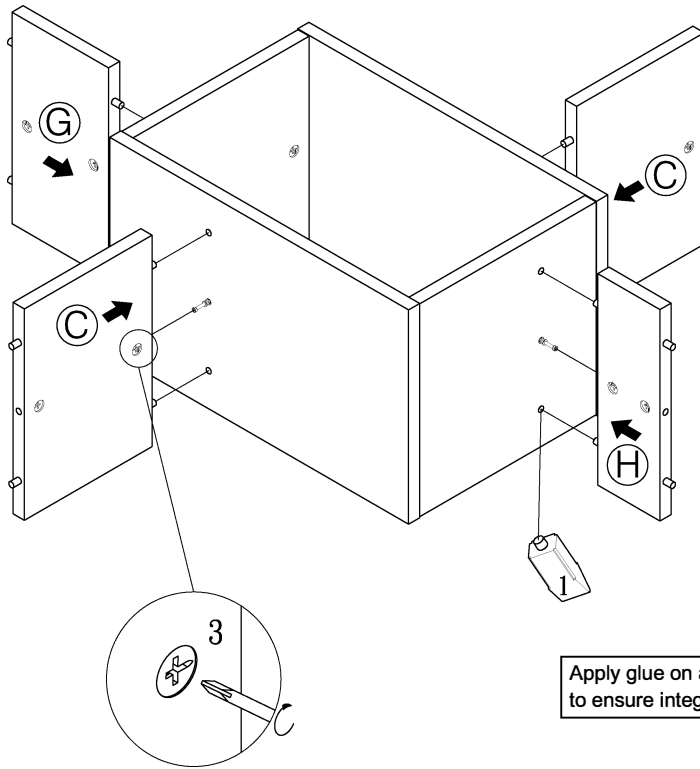


STEP 5



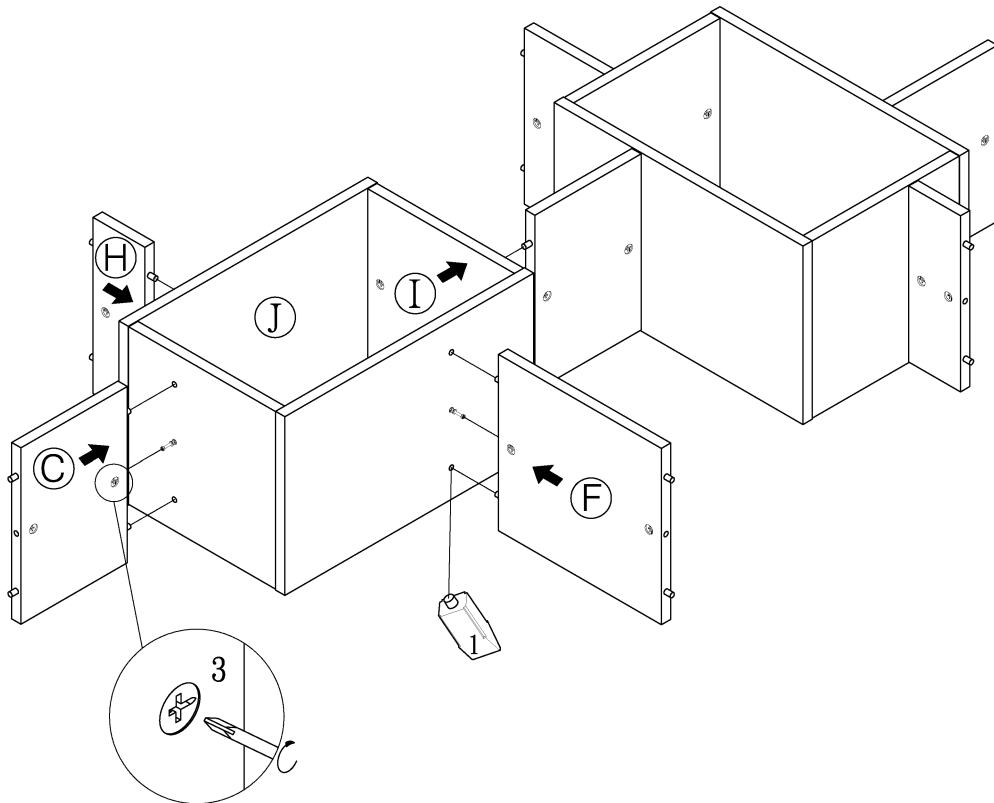
ASSEMBLY INSTRUCTION

STEP 6



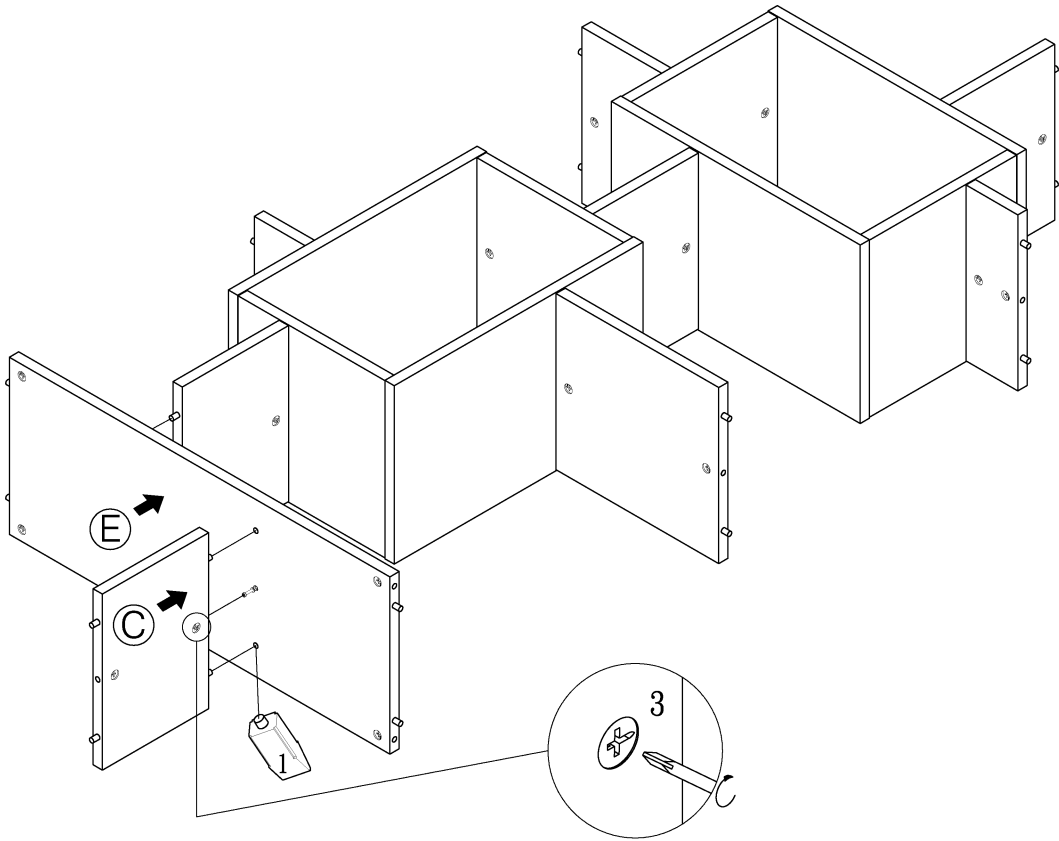
Apply glue on all wooden dowels to ensure integrity of the structure.

STEP 7



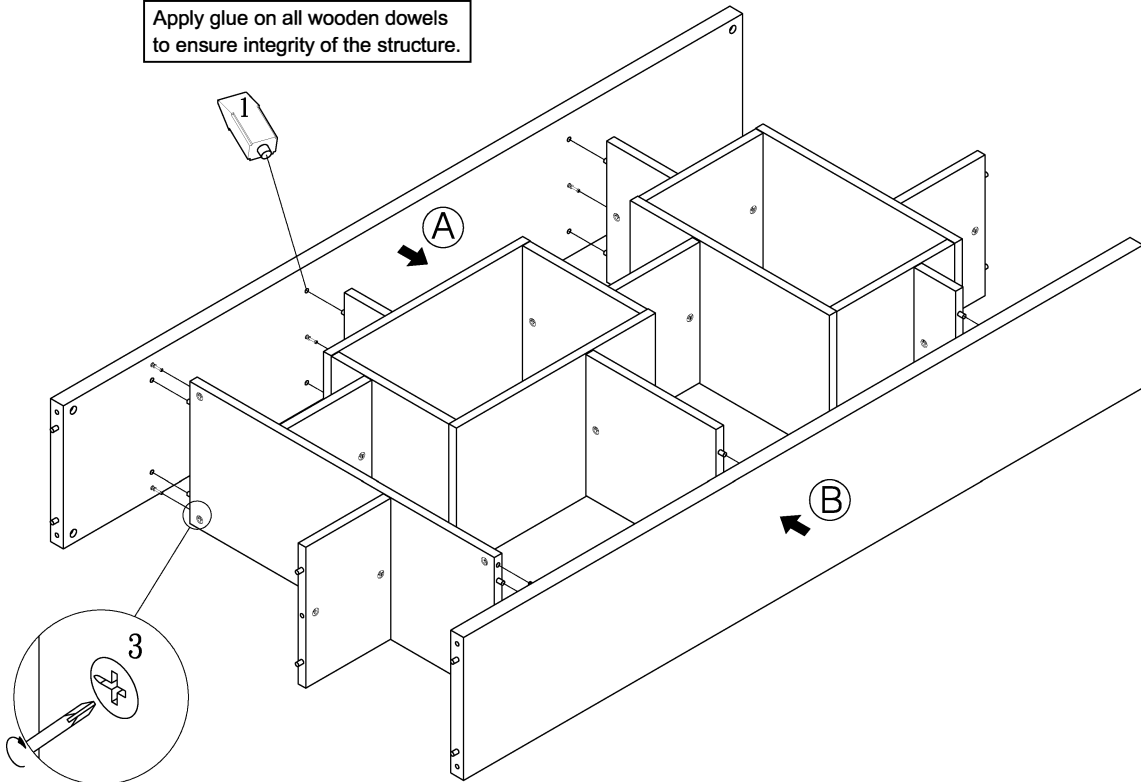
ASSEMBLY INSTRUCTION

STEP 8



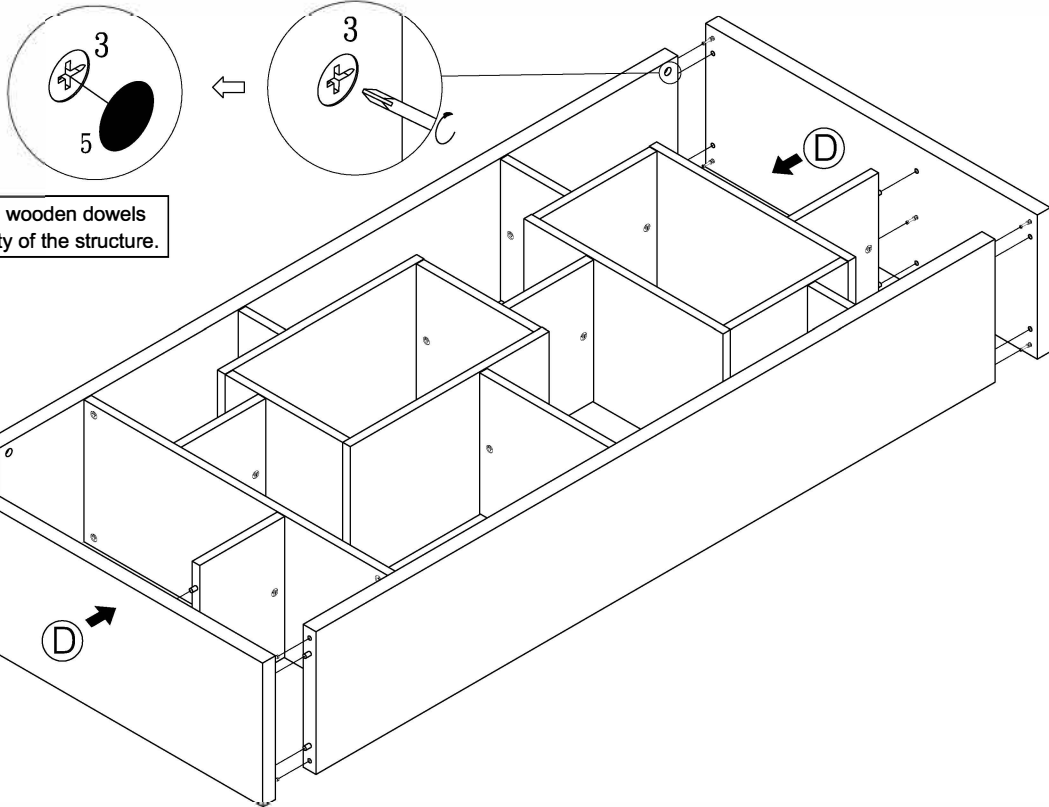
STEP 9

Apply glue on all wooden dowels to ensure integrity of the structure.



ASSEMBLY INSTRUCTION

STEP 10

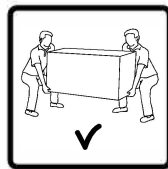
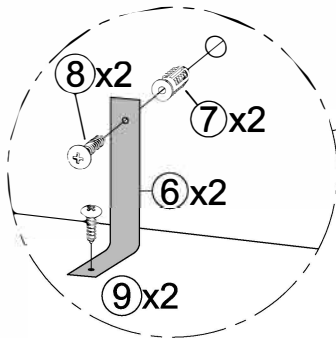


Apply glue on all wooden dowels to ensure integrity of the structure.

STEP 11

ATTENTION: ANTI TIPPING SAFEGUARD

Please install the anti-tipping hardware as shown in the drawing. This can help to prevent any tipping issues.



FURNITURE TIPPING RESTRAINT

WARNING

Injury may result from tipping furniture
 This restraint is not a substitute for proper adult supervision.
 This restraint may provide protection against tipping furniture.
 Do not allow children to climb on furniture.
 Failure to detach this restraint before moving furniture may result in injury and damage

