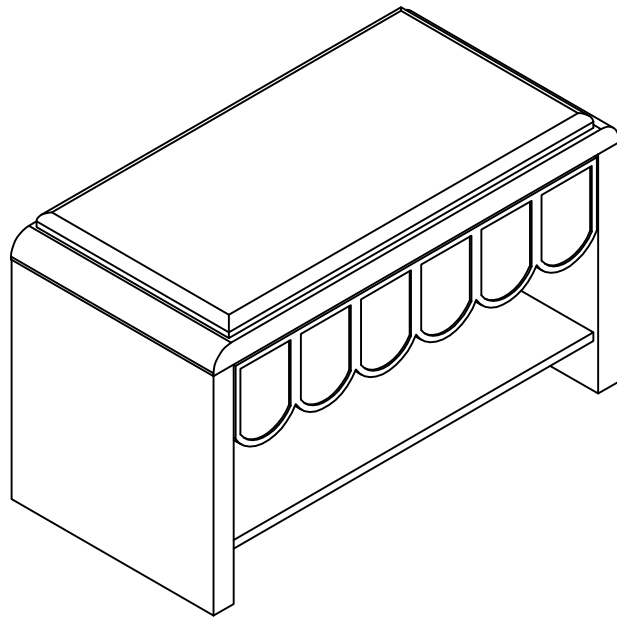


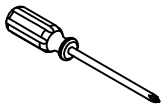
Installation Instruction



Assembling

What you need

- Use the packaging carton as a working surface to prevent product damage during assembly
- Phillips head screwdriver



Weight Limitation



100

lbs table top

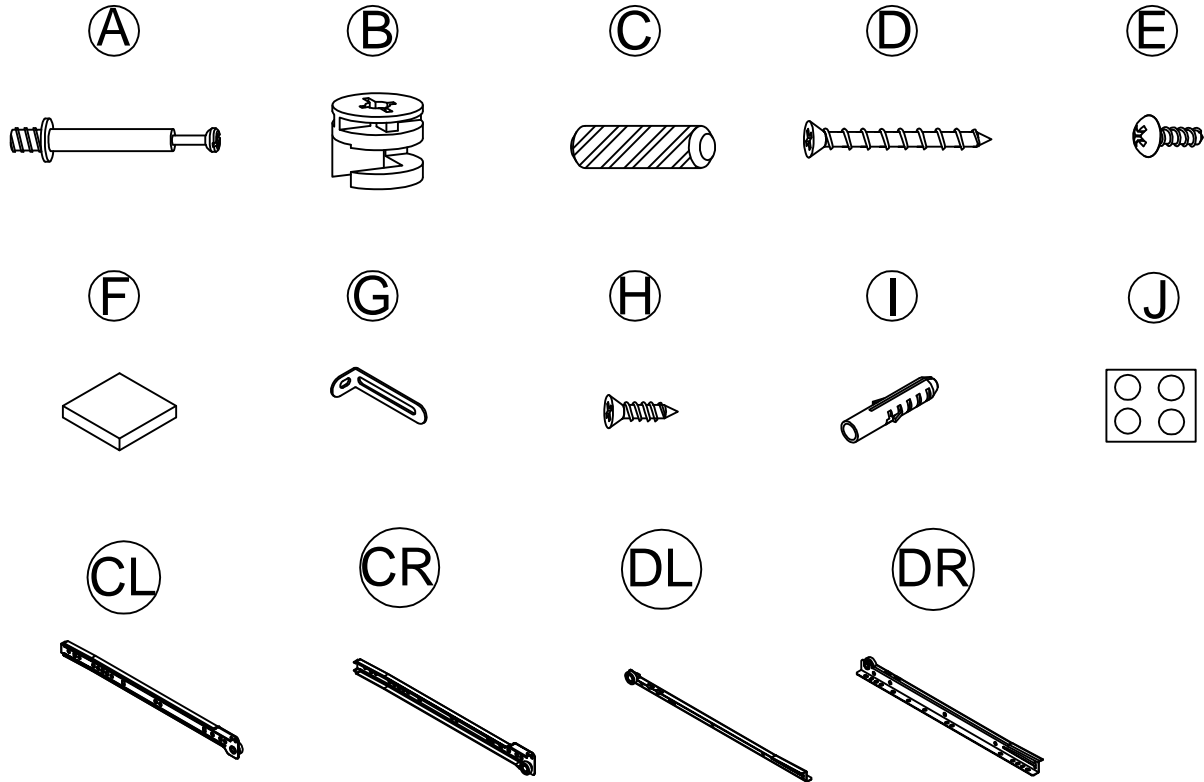
| 35

lbs per

What' included

Code	Description	Qty
A	Cam Bolt M6X35MM	27
B	Cam Lock 15X10MM	27
C	Wooden Dowel M8X30MM	10
D	Screw M4X40MM	7
E	Screw M3.5X12MM	2
F	EVA MATS	4
G	Nylon Strap	2
H	Screw M3.0X14MM	8
I	Anchor	2
J	Hole position sticker	27
CL	Left mother extended orbit	1
CR	Right mother extended orbit	1
DL	Left public extension track	1
DR	Right public extends track	1

The Hardwares



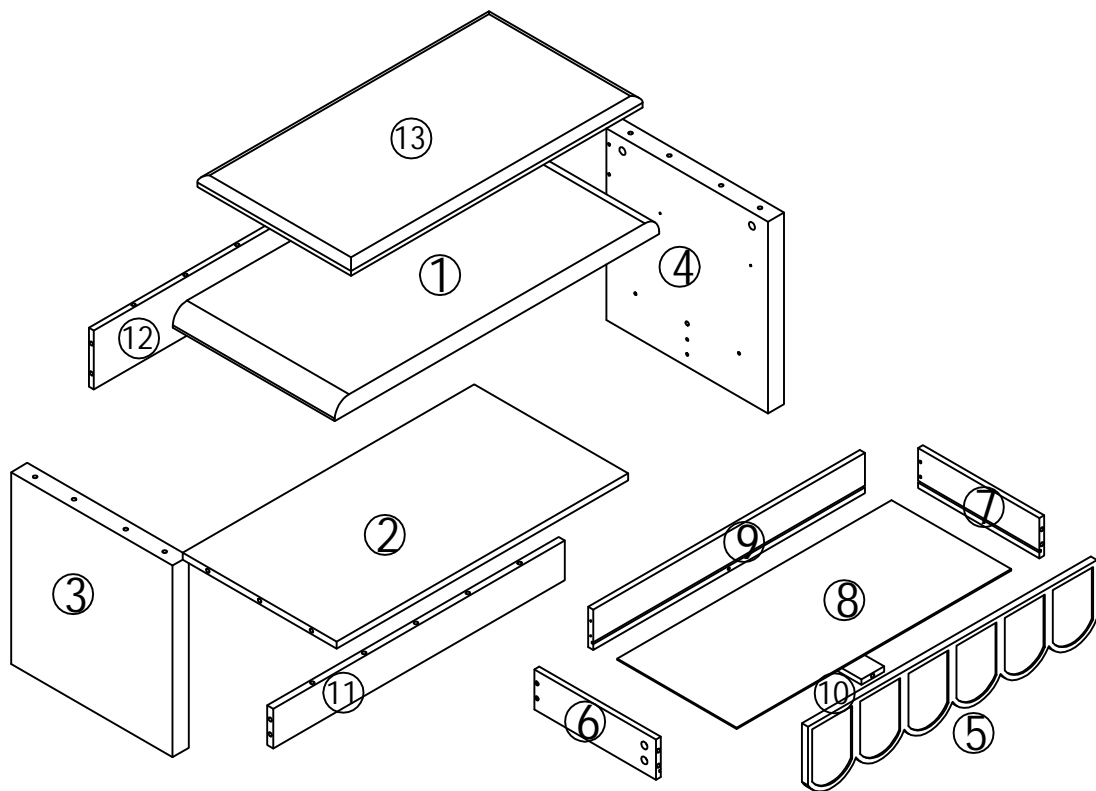
IMPORTANT:

1. Do not tighten bolts / screws completely until all bolts / screws are lined up and inserted into holes.
2. Do not over tighten screws and bolts to avoid stripping
3. Please use hand tools to assemble this product, you can also use power tools (please use power tools carefully).

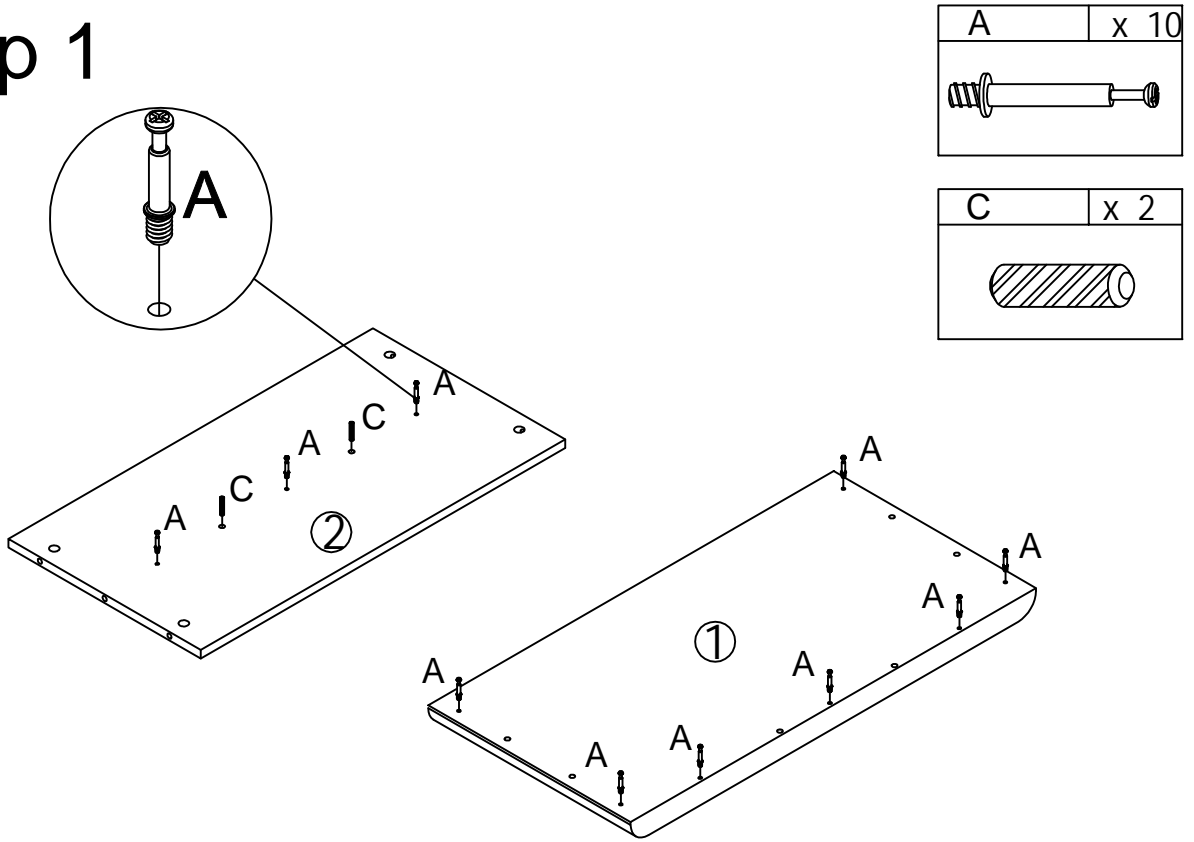
Included Accessories

Code	Description	Qty
1	Cabinet Top	1
2	Bottom Panel	1
3	Left Side Panel	1
4	Right Side Panel	1
5	Drawer panel	1
6	Drawer left panel	1
7	Drawer right side panel	1
8	The drawer bottom	1
9	After the drawer board	1
10	At the bottom of the drawer	1
11	Guide plate	1
12	Back plate	1
13	Sponge cushion	1

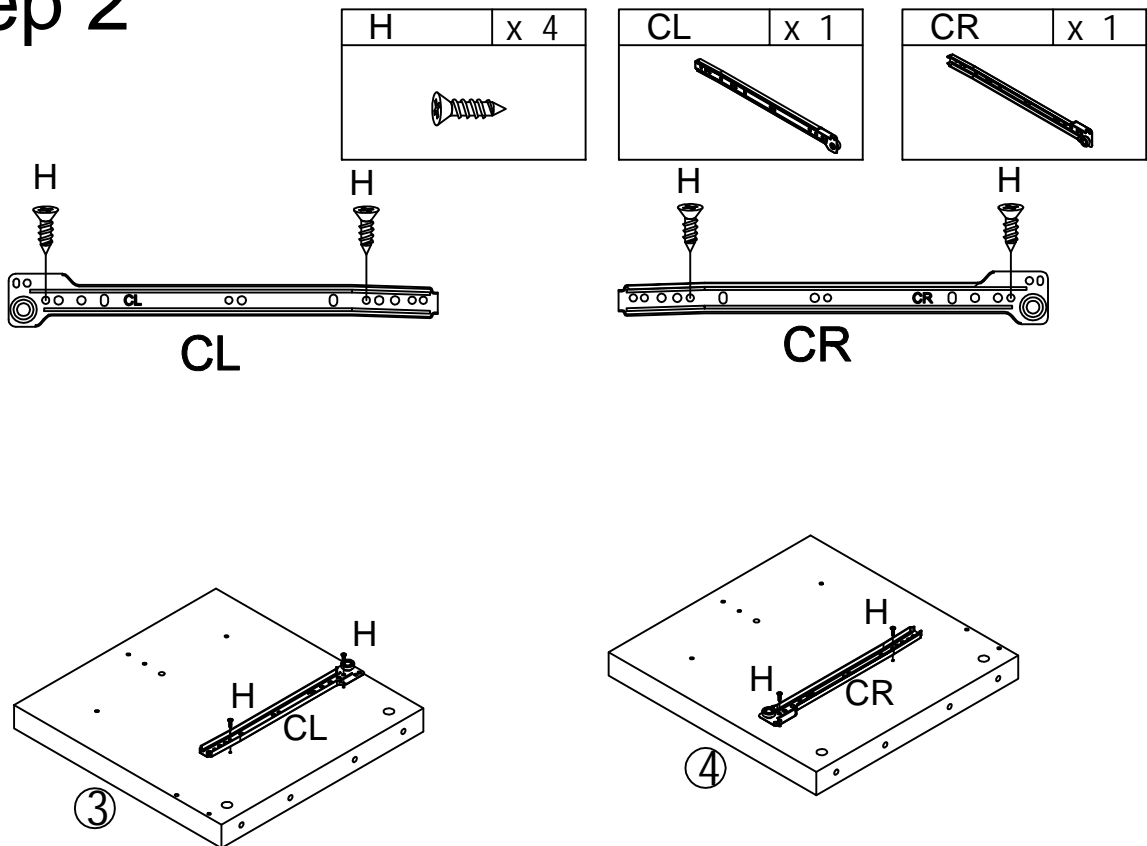
The Accessoriess



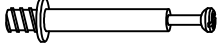
Step 1

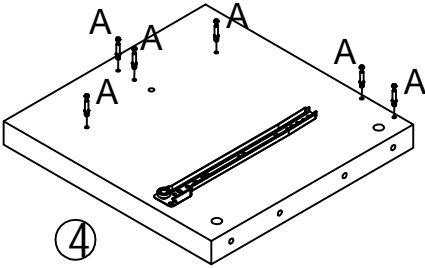
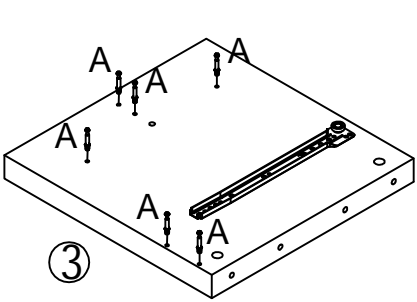


Step 2




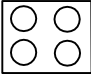
Step 3

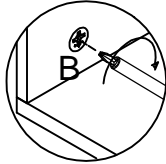
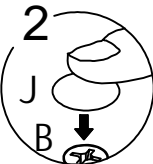
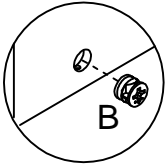
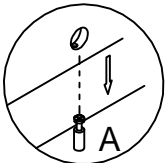
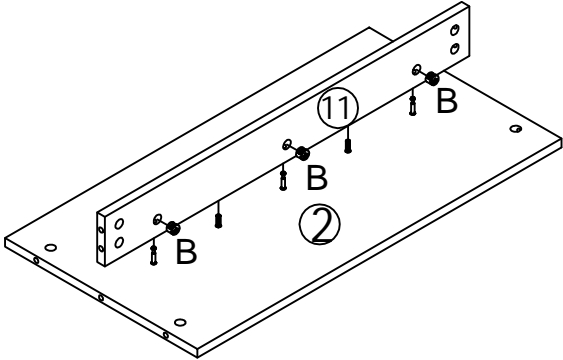
A	x 12
	



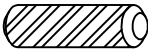

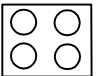
Step 4

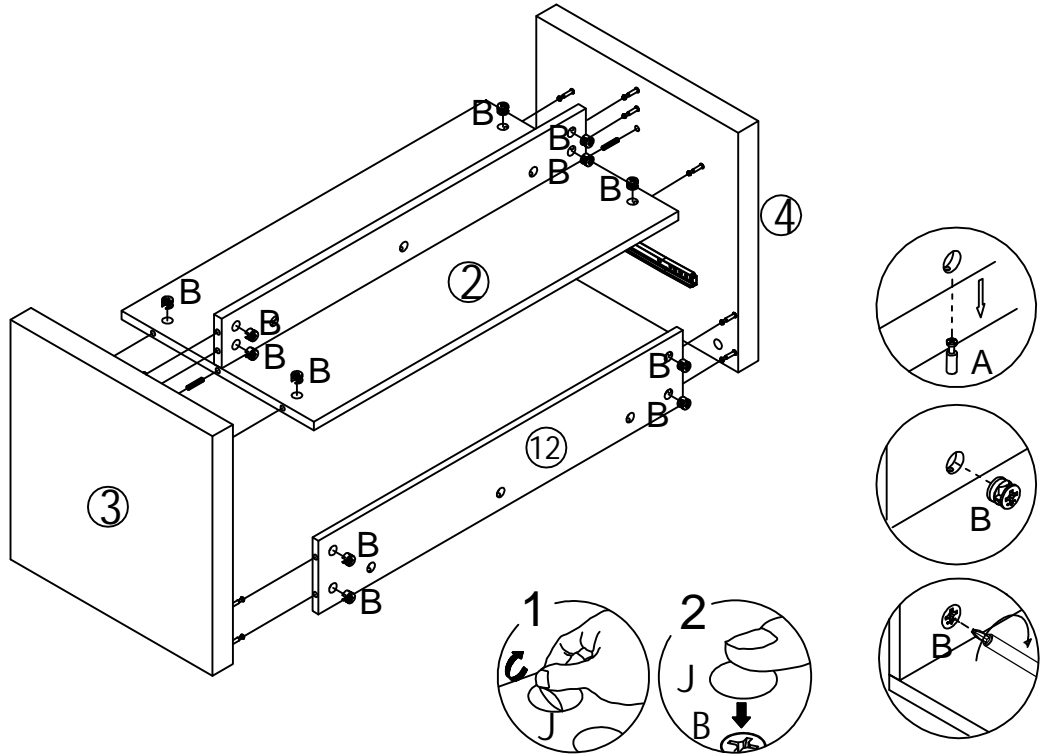
B	x 3
	

J	x 3
	

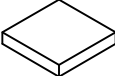


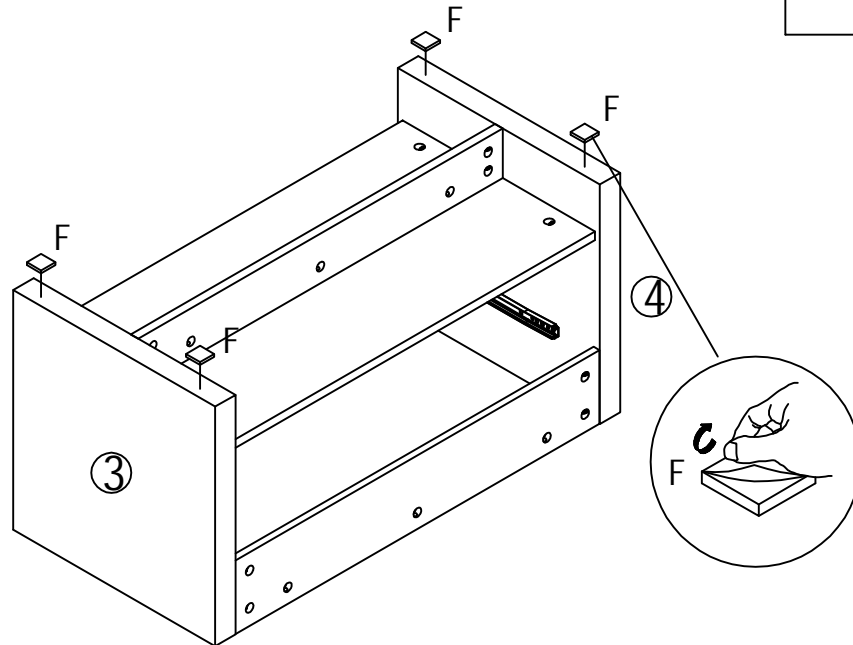
Step 5

C	x 2	B	x 12	J	x 12
					

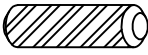

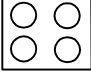


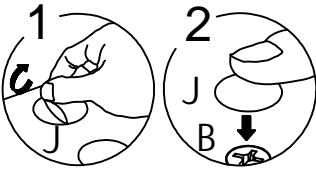
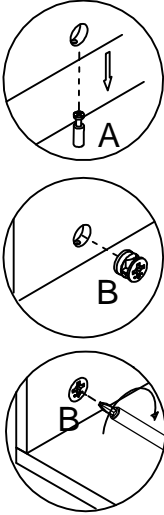
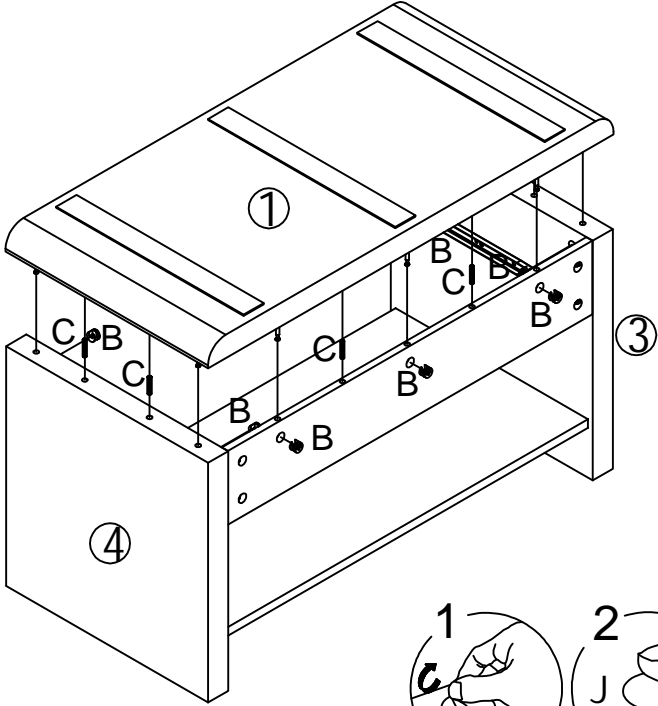
Step 6

F	x 4
	

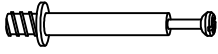


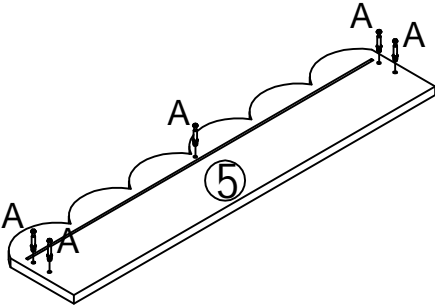
Step 7

C	x 6	B	x 7	J	x 7
					

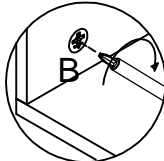
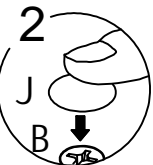
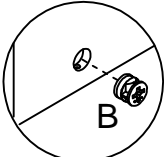
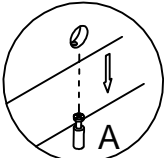
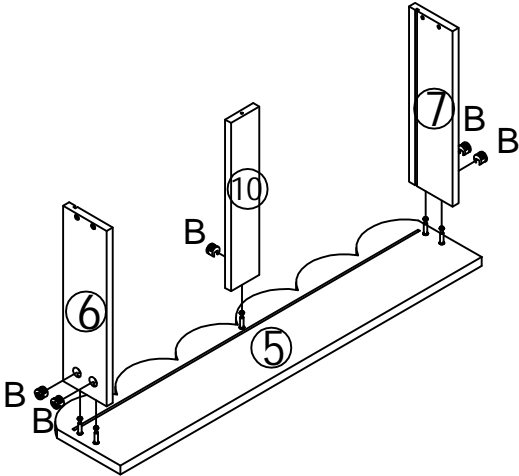
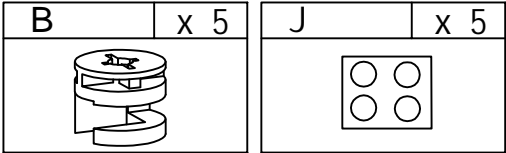


Step 8

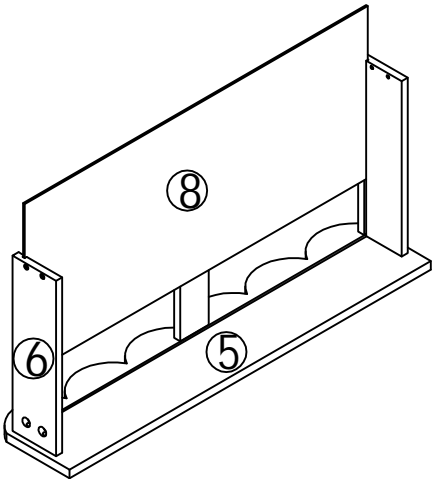
A	x 5
	



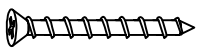
Step 9

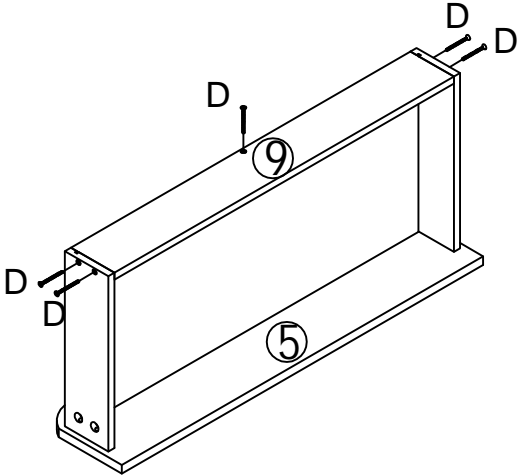


Step 10



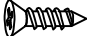


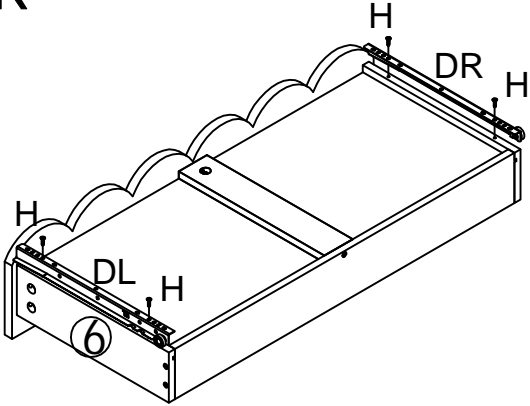
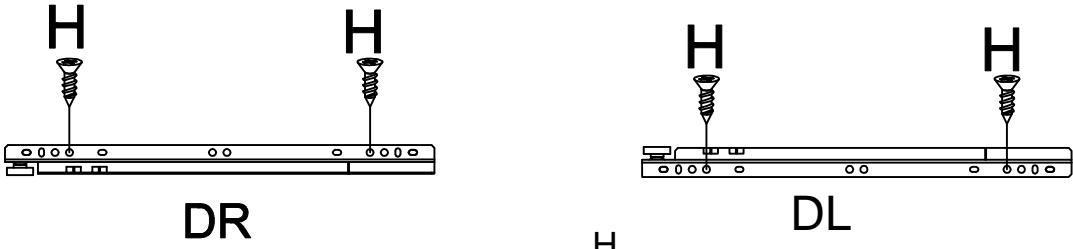
Step 11

D	x 5
	

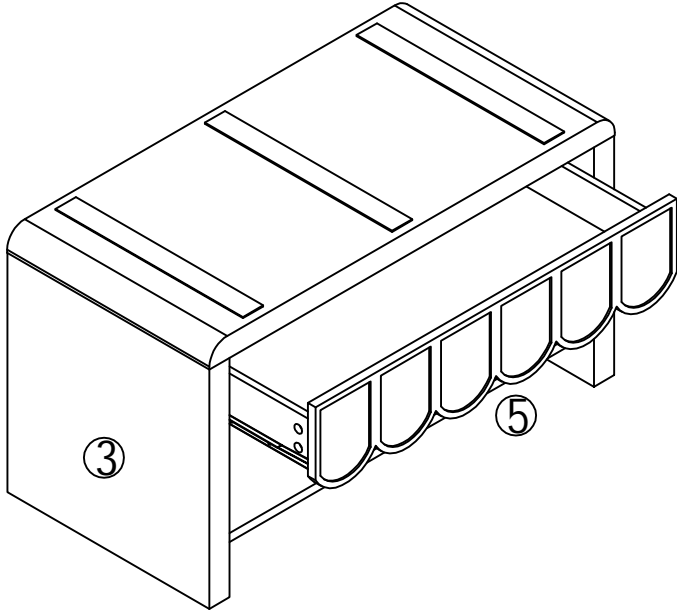


Step 12

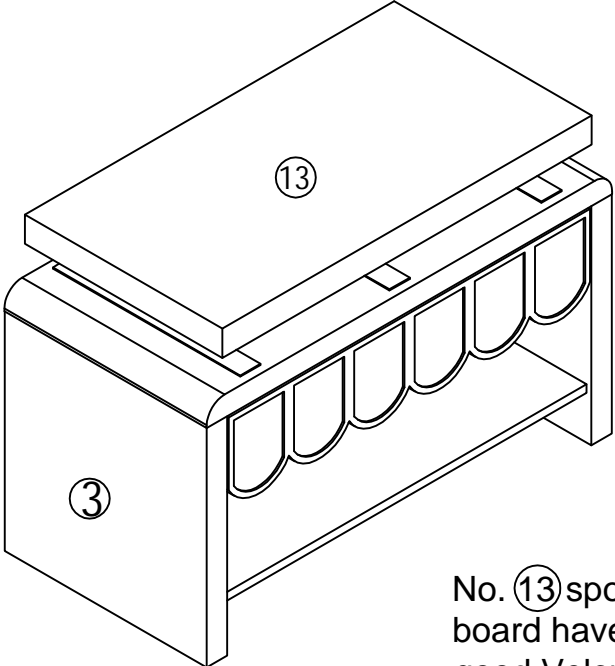
DL	x 1	DR	x 1	H	x 4
					



Step 13

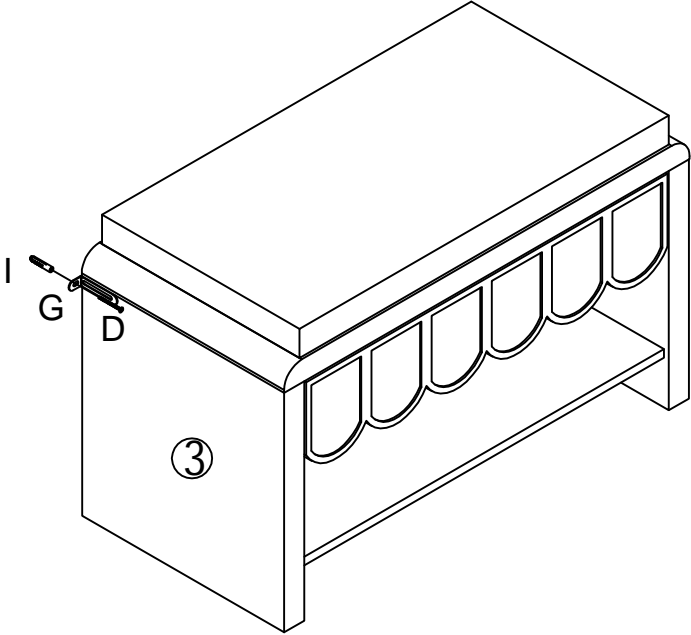


Step 14



No. 13 sponge pad and No. 1 board have Velcro 2 parts on good Velcro .

Step 15

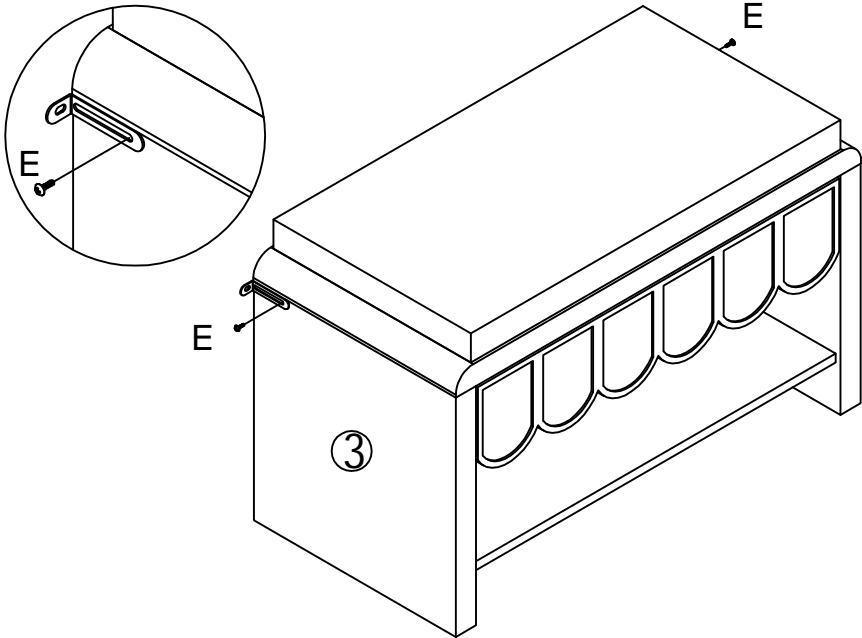


D	x 2

I	x 2

G	x 2

Step 16



E	x 2