

ASSEMBLY INSTRUCTIONS

IMPORTANT : READ THESE INSTRUCTIONS CAREFULLY BEFORE ATTEMPTING TO ASSEMBLE OR USE YOUR PRODUCT.

PLEASE KEEP THESE INSTRUCTIONS FOR FUTURE REFERENCE.

ASSEMBLY:

Assembly should be carried out with this item laying flat, not standing upright.

Assemble on a soft, clean surface to prevent damages.

To erase the numbers printed on the pieces, use the rubber inside the accessories pack.

HEALTH & SAFETY:

DO NOT use this product if any parts are missing, damaged or worn.

DO NOT use this product unless all fixings are secured.

Always use on a level, even surface.

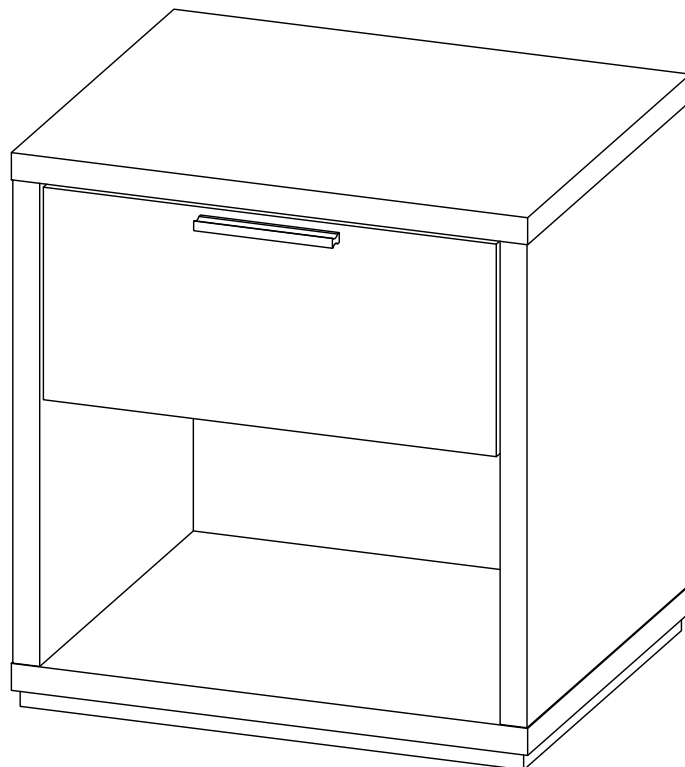
CARE & MAINTENANCE:

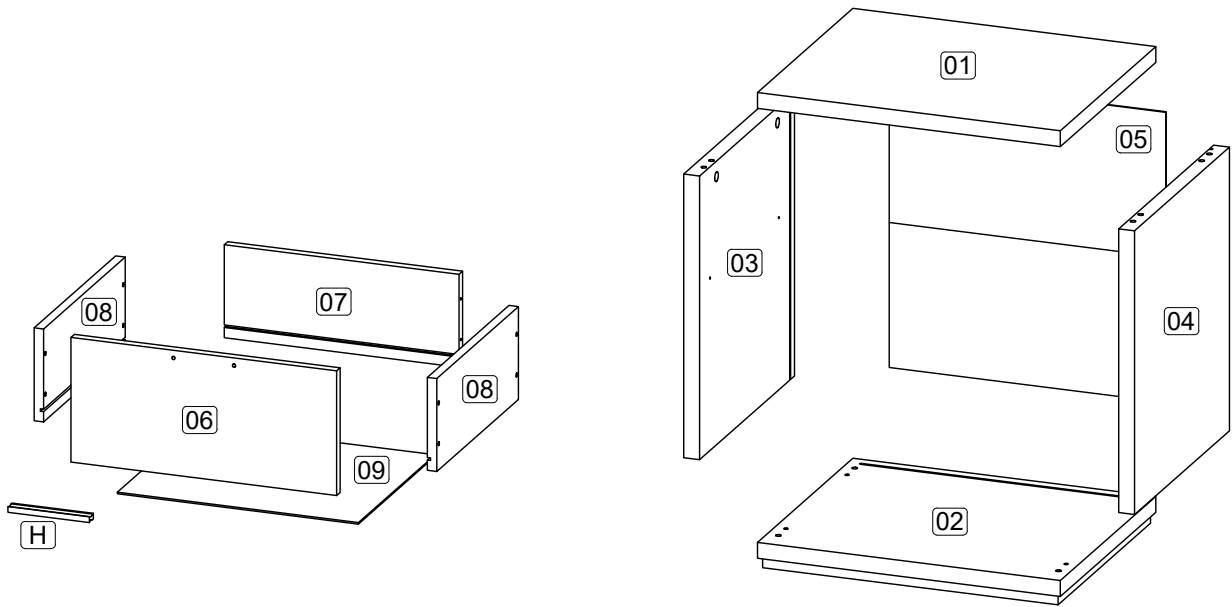
Periodically check all screws & fixings to ensure they are secure.

DO NOT push this product as this will cause damage.

Always lift this product with two people to reposition.

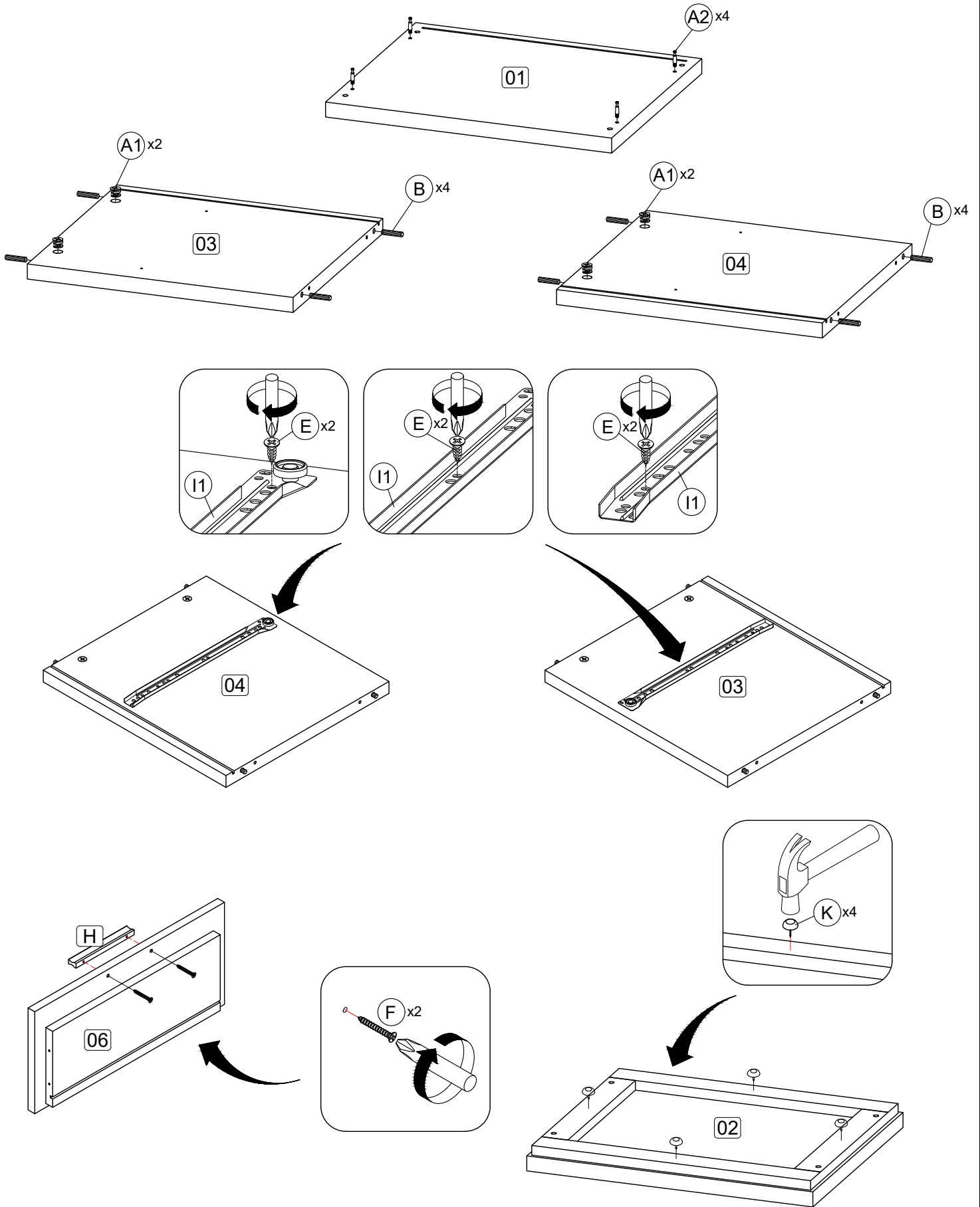
Keep any sharp objects away from this product.



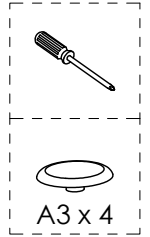
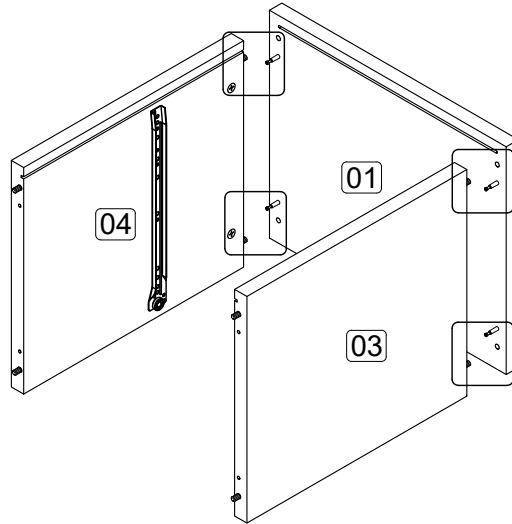
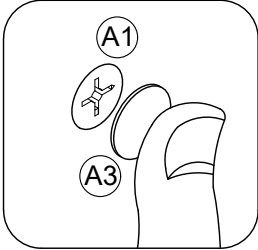
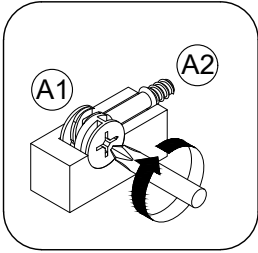


Parts List			Hardware List			
Part	Description	Qty	Part	Description		Qty
01	Top panel	1	A1	Cam lock		4
02	Bottom panel	1	A2	Minifix screw		4
03	Side panel (Left)	1	A3	Plastic cap		4
04	Side panel (Right)	1	B	M8 x 30mm Wood Dowel		8
05	Back panel	1	C	M6 x 60mm CSK Cap Wood screw		4
06	Drawer front	1	D	Allen key M4		1
07	Drawer back	1	E	M3.5 x 16mm C.B Screw		12
08	Drawer side	2	F	M4 x 25mm C.B Screw		2
09	Drawer bottom	1	G	M4 x 38mm C.B Screw		8
** You will need a small mallet and a screwdriver for assembly. ** Some screws and wooden dowel may remain.			H	PCV Handle 7050.96		1
			I1	14" Drawer slide (Left / Right)		2
			I2	14" Drawer slide (Left / Right)		2
			J1	Stud 192		8
			J2	Stud 192 screw		8
			K	5/8 PCV Nail Leg		4

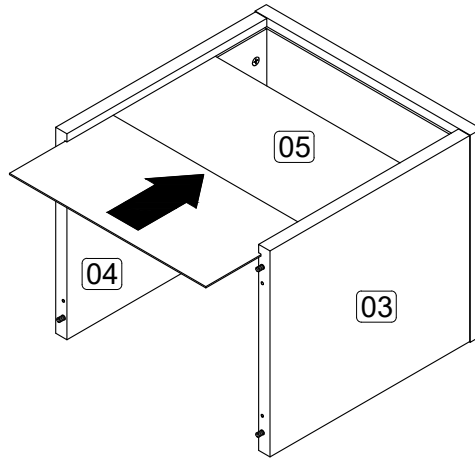
Step 1: Prepare these parts for assembly using hardware parts A1, A2, B, D, E, F, H, I1 and K.
DO NOT use any power tools as this may damage the frame and will invalidate any claim.



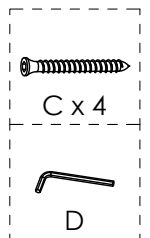
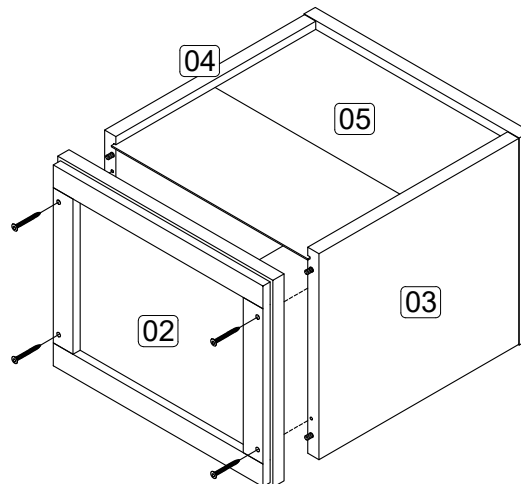
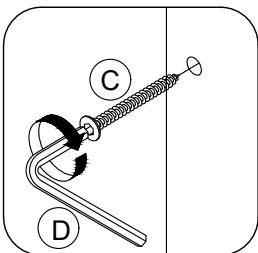
Step 2: Attach side panel (3) and (4) to top panel (1) using hardware A1 and A2 with a screwdriver (not provided).
DO NOT use any power tools as this may damage the frame and will invalidate any claim.



Step 3: Insert back panel (5) along the slot.
DO NOT use any power tools as this may damage the frame and will invalidate any claim.

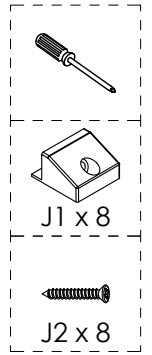
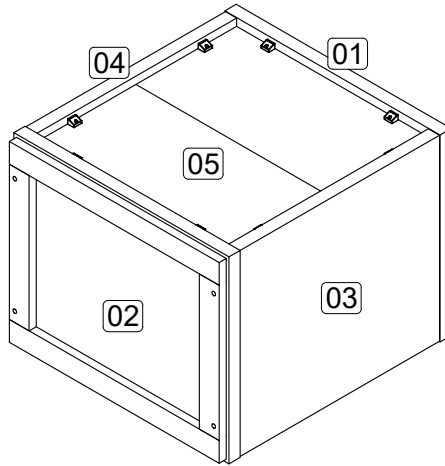
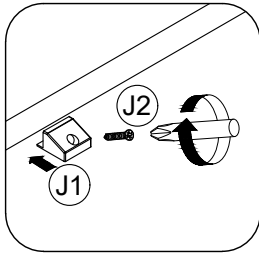


Step 4: Attach bottom panel (2) to side panel (3) and (4) using hardware C and D.
DO NOT use any power tools as this may damage the frame and will invalidate any claim.



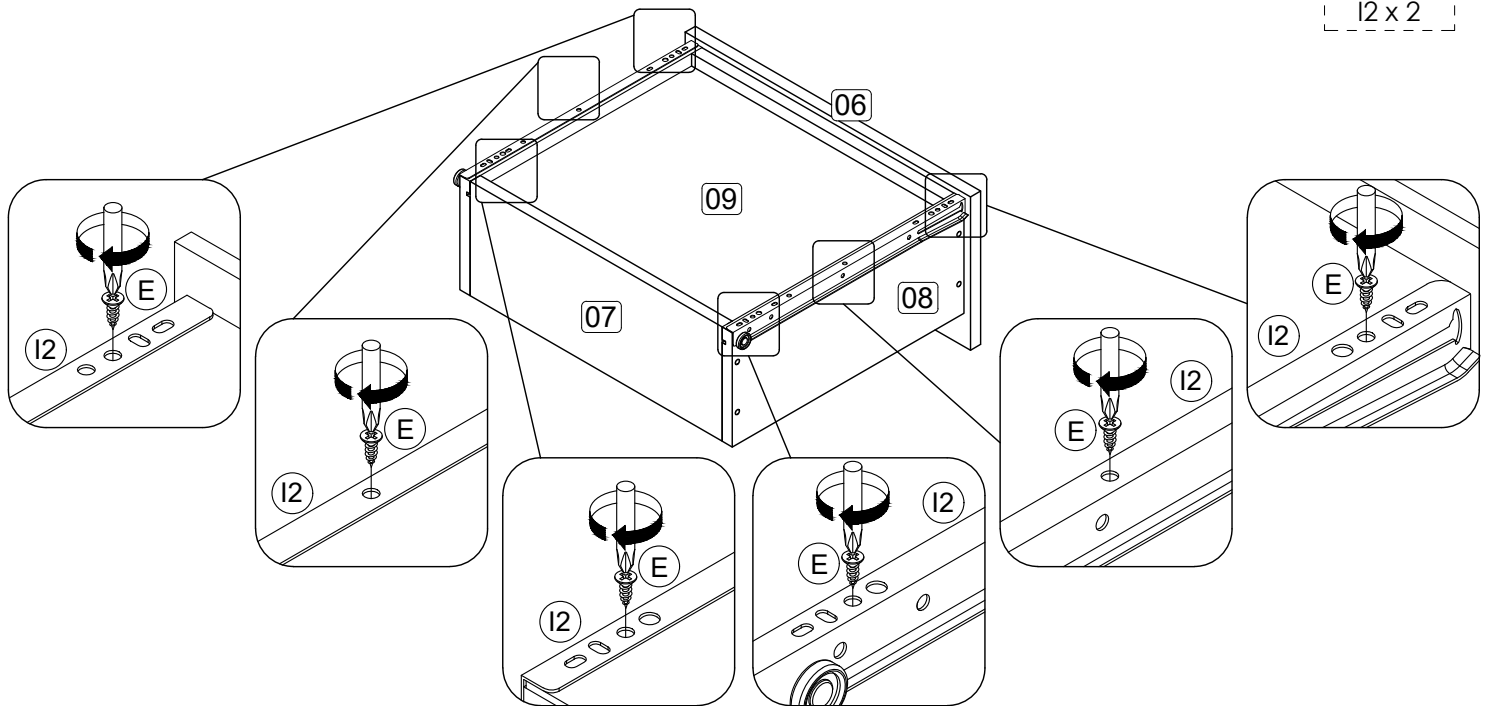
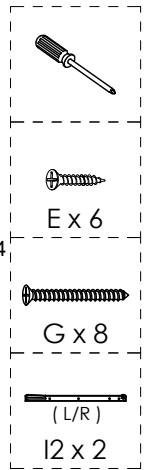
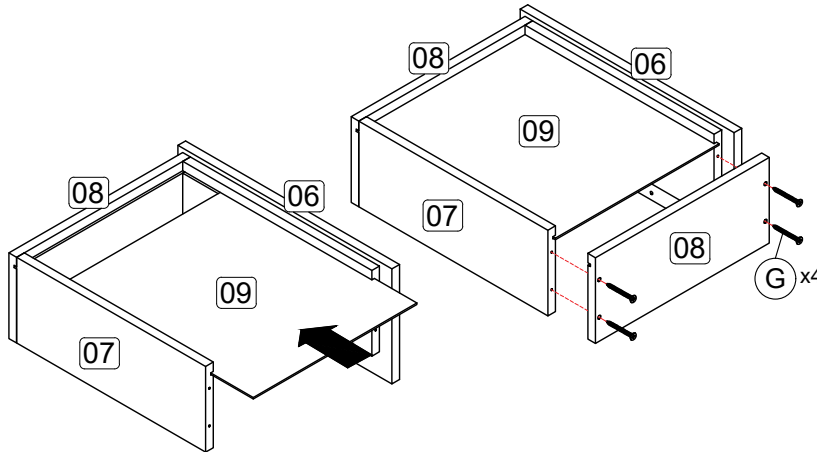
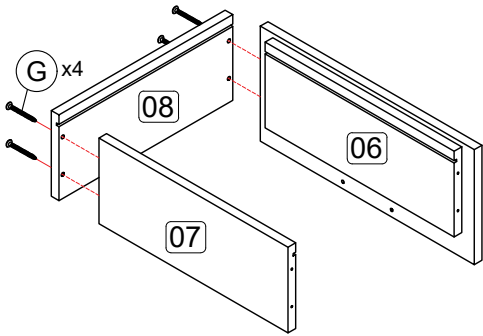
Step 5: Attach hardware J1 into top panel (1), bottom panel (2), side panel (3) and (4) using hardware J2 with a screwdriver (not provided).

DO NOT use any power tools as this may damage the frame and will invalidate any claim.



Step 6: Assemble the drawer components using hardware E, G and I2.

DO NOT use any power tools as this may damage the frame and will invalidate any claim.



Step 7: Assemble the drawer in place along the drawer slides.

DO NOT use any power tools as this may damage the frame and will invalidate any claim.

