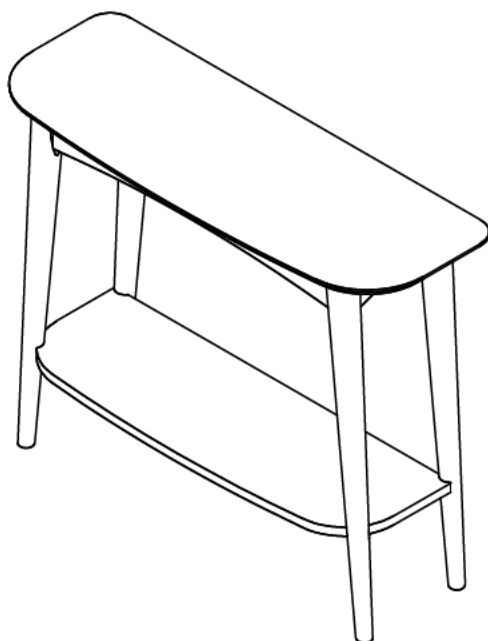


CONSOLE TABLE WITH SHELF

Thank you for purchasing this product. Please read the instructions carefully before use to ensure safe and satisfactory operation of this product.



Pre-assembly preparation

Please ensure instructions are read in full before attempting to assemble this product.

Necessary Tools : Pozi screwdriver and Phillips screwdriver



Pz 2 or Pz 3



Ph 2



(Included)



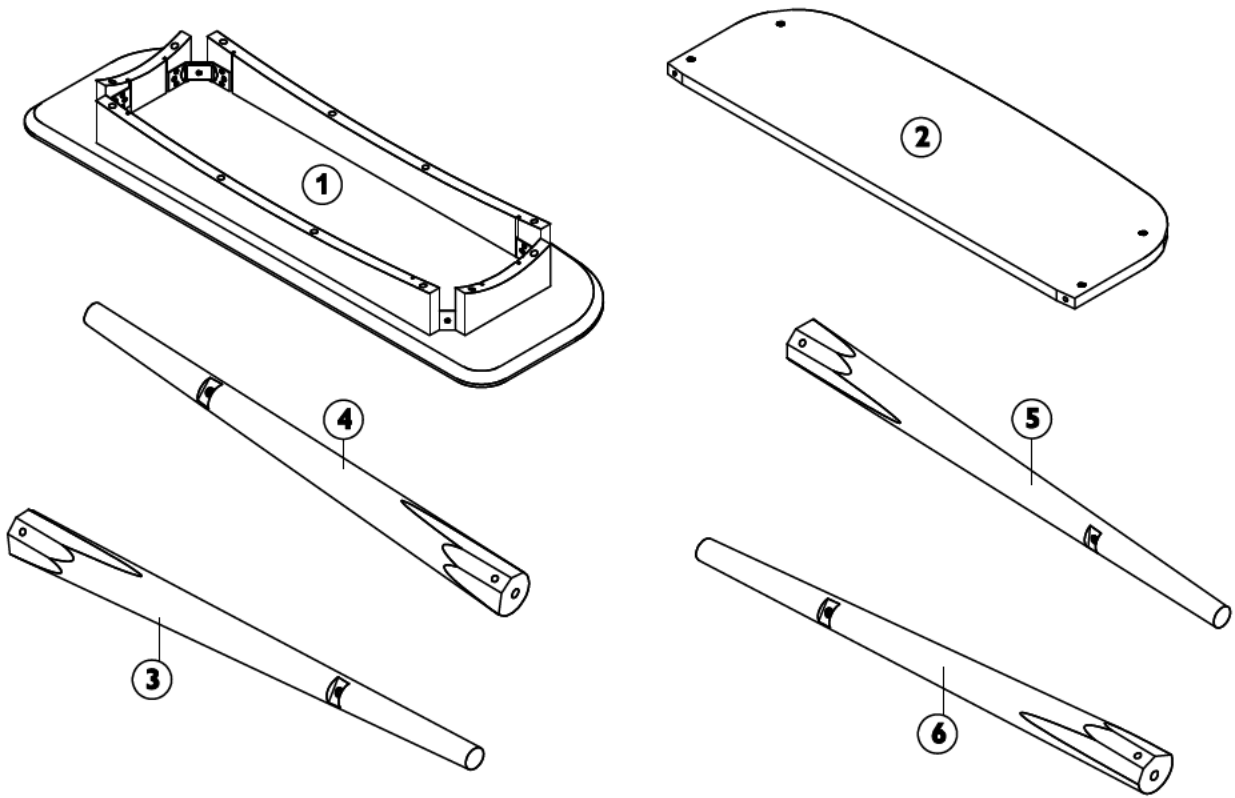
Please check the pack contents before attempting to assemble this product. A full checklist of components is given in this leaflet. If any components are missing, please contact the retailer from whom you bought this product.

This product takes approximately **30 MINUTES** to assemble with **2 PEOPLE**.

All assembly should be performed on a flat, stable, clean and soft surface.

The fitting pack contains **SMALL ITEMS** which should be **KEPT AWAY FROM YOUNG CHILDREN**.

IMPORTANT: Retain these instructions for future reference.



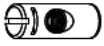
Fittings and parts checklist

Item	Description	Qty.	Item	Description	Qty.
1	Table top	x 1	4	Right front leg	x 1
2	Fixed shelf	x 1	5	Left back leg	x 1
3	Left front leg	x 1	6	Right back leg	x 1
A	Cross dowel M8 x Ø12 x 30mm	x 4	F	Spanner	x 1
B	Threaded bolt Ø8 x 60mm	x 4	G	Steel dowel Ø7 x 52mm	x 4
C	Flat washer Ø8.4 x 17 x 1.6mm	x 4	H	Grub screw	x 4
D	Lock washer Ø8.4 x 2mm	x 4	J	Allen Key	x 1
E	Hex nut Ø8 x 13mm	x 4			

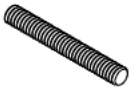
Step By Step Assembly Instructions

- Step 1**
- 1.1 : Lay all parts on a flat, clean and soft surface.
 - 1.2 : Insert 4x cross dowels (A) into legs (3), (4), (5) & (6) by placing each fitting (A) into the holes on top of each leg. Ensure the horizontal marking on each fitting is facing as shown.
 - 1.3 : Screw 4x threaded bolts (B) into fittings (A) that are already concealed in legs (3), (4), (5) & (6) as shown. Continue to re-tighten until they are securely fastened.
- Continued on next page**

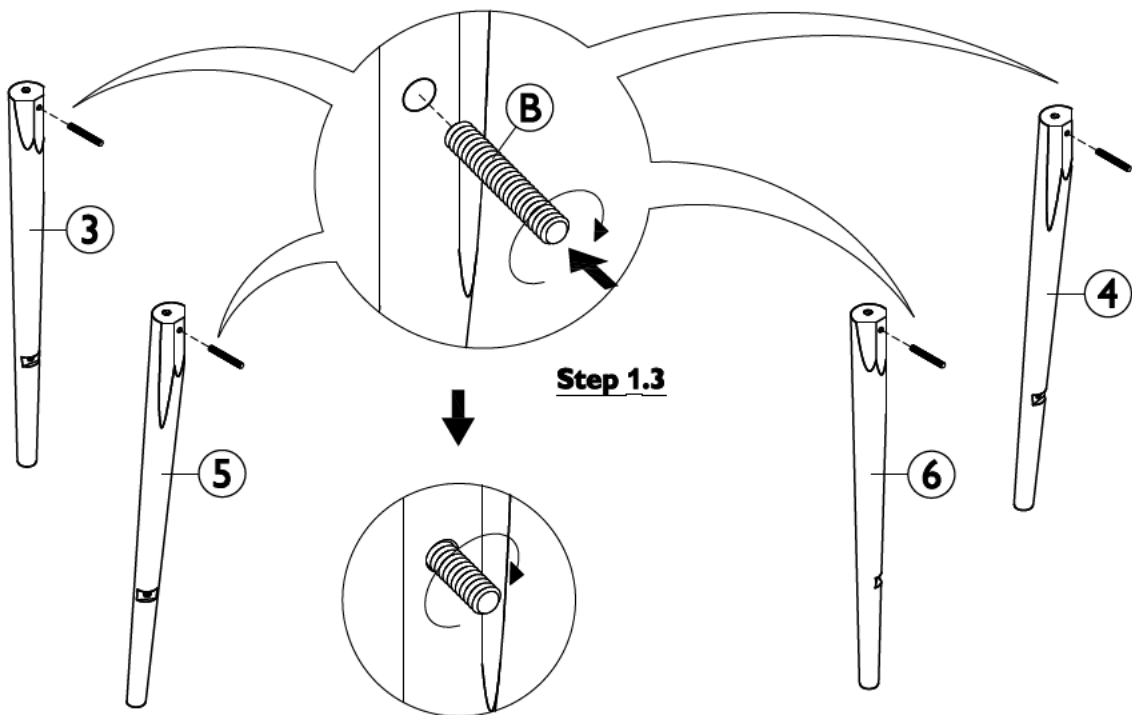
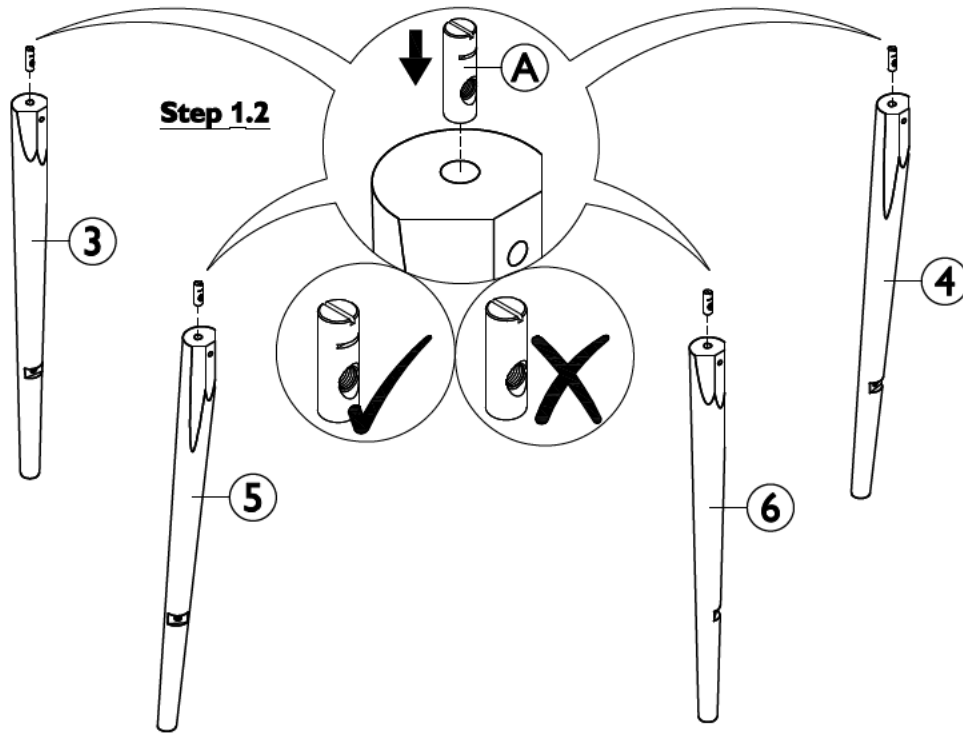
Fitting



A x 4



B x 4

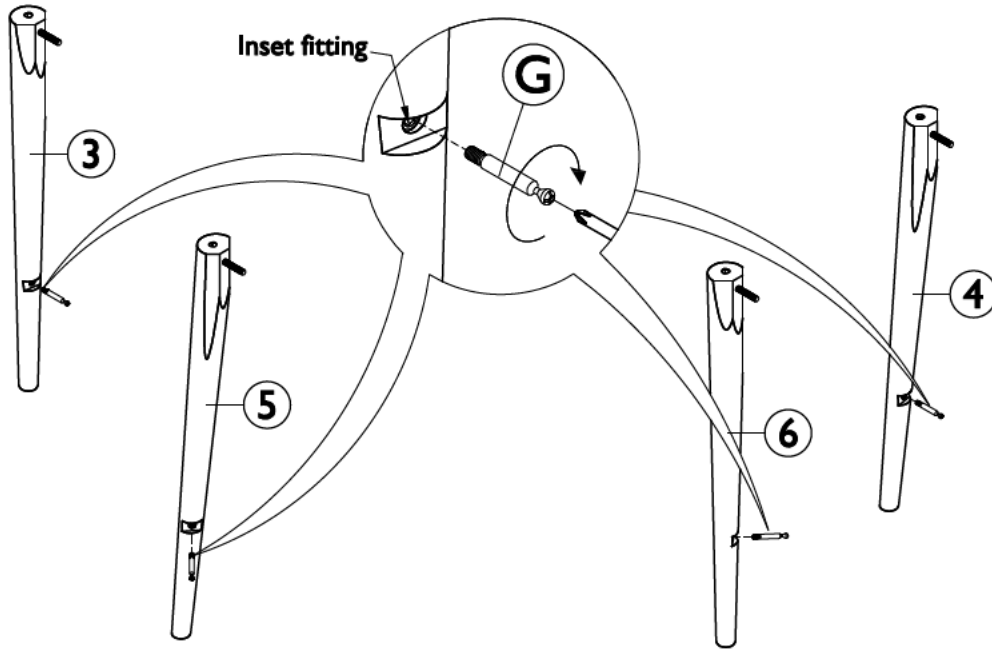


Step By Step Assembly Instructions

Step 1 Continued:

- 1.4 : Attach 4x steel dowels (G) into the inset fitting that are already concealed in the pre-drilled legs (3), (4), (5) & (6) as shown. Use a pozi screwdriver to turn fittings (G) clockwise to fix.

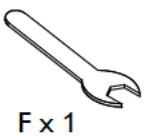
Fitting



Step 2

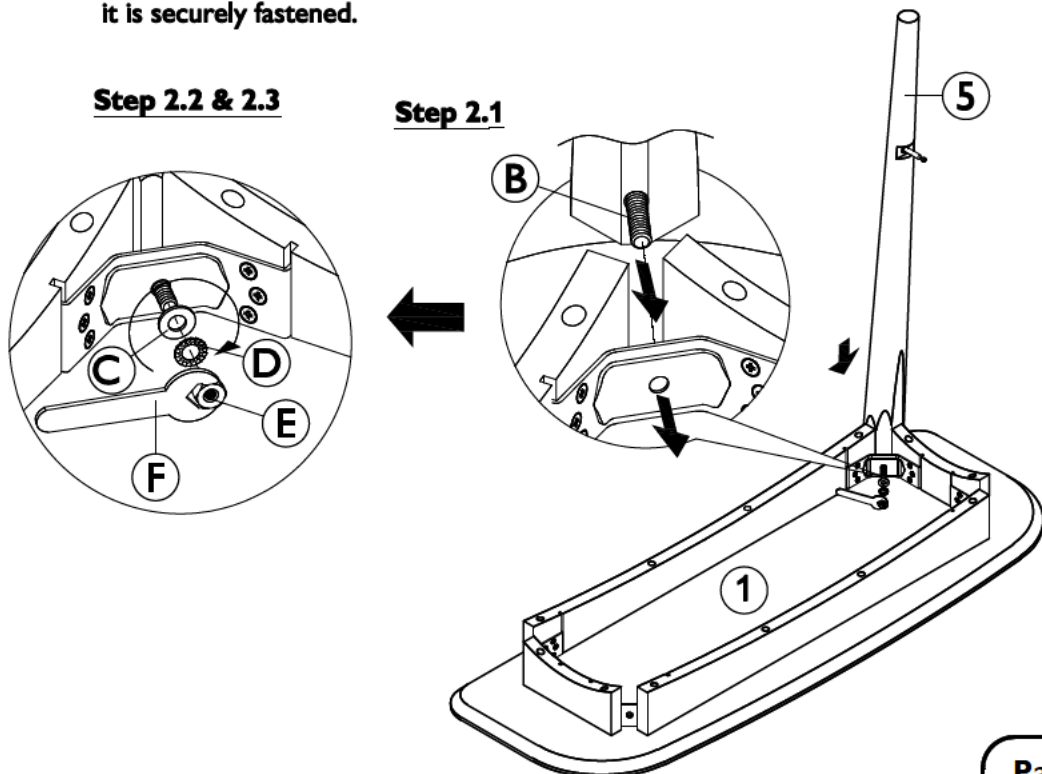
- 2.1 : Attach 1x leg (5) into place by inserting threaded bolt (B) through the pre-drilled hole of metal corner bracket as shown.
 2.2 : Insert flat washer (C), lock washer (D) and hex nut (E) onto threaded bolt (B) as shown and in order as shown - (C) followed by (D) followed by (E).
 2.3 : Tighten hex nut (E) using spanner (F) as shown. Continue to re-tighten hex nut (E) until it is securely fastened.

Fitting



Step 2.2 & 2.3

Step 2.1



Step By Step Assembly Instructions

Step 3

3.1 : With help of assistant, slide shelf (2) into the slot and onto steel dowel on leg (5) as shown. Ensure fixed shelf (2) is placed completely in the slot of leg.

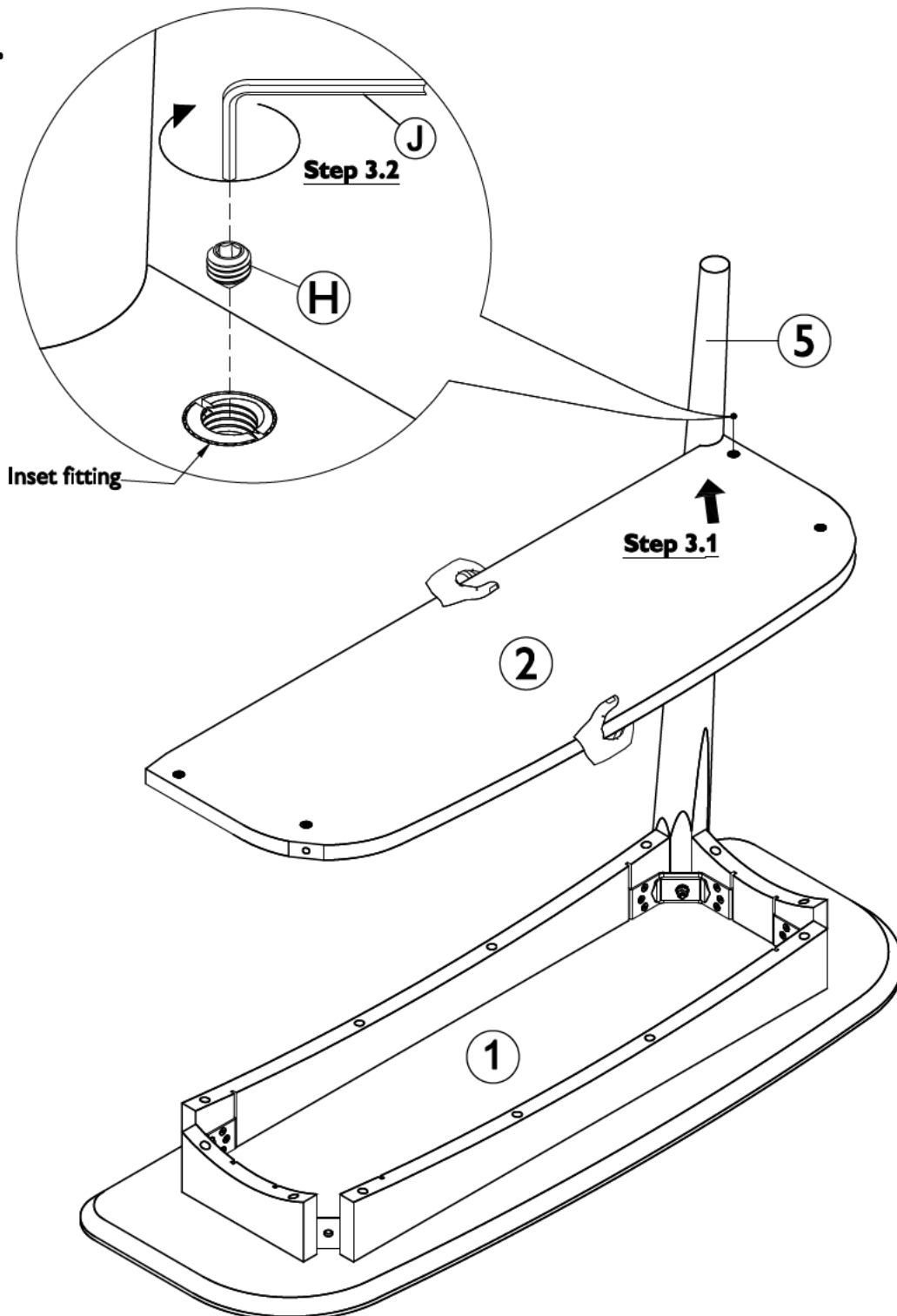
3.2 : Secure part (2) to part (5) using 1x grub screw (H) as shown. Use allen key (J) to turn fitting (H) clockwise to fix.

Fitting



H x 1

J x 1



Step By Step Assembly Instructions

Step 4

Fitting



C x 1



D x 1



E x 1



F x 1



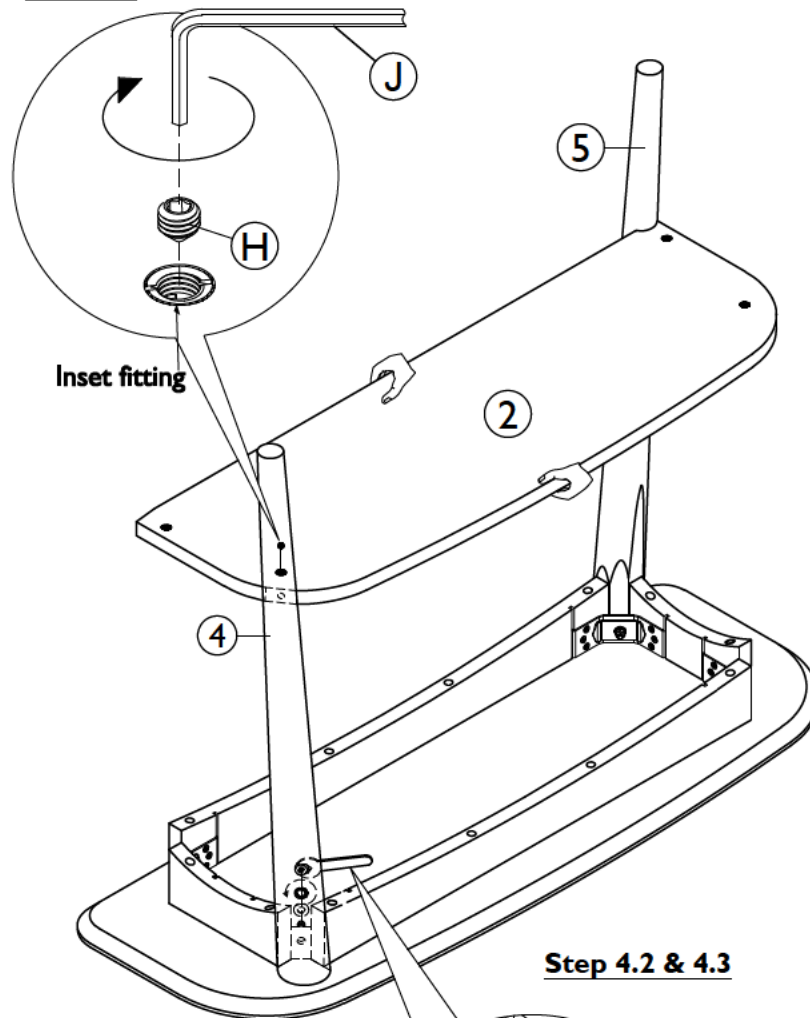
H x 1



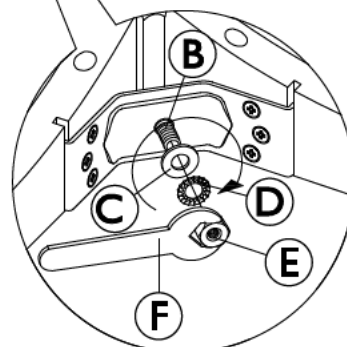
J x 1

- 4.1 : Attach 1x leg (4) into place by inserting threaded bolt (B) through the pre-drilled hole of metal corner bracket as shown. Ensure the slot and dowel on leg (4) are aligned correctly with fixed shelf (2) before attaching.
- 4.2 : Insert flat washer (C), lock washer (D) and hex nut (E) onto threaded bolt (B) as shown and in order as shown - (C) followed by (D) followed by (E).
- 4.3 : Tighten hex nut (E) using spanner (F) as shown. Continue to re-tighten hex nut (E) until it is securely fastened.
- 4.4 : Secure part (2) to part (4) using 1x grub screw (H) as shown. Use allen key (J) to turn fitting (H) clockwise to fix.

Step 4.4



Step 4.2 & 4.3



Step By Step Assembly Instructions

- Step 5**
- 5.1 : Attach legs (3) & (6) into place by inserting threaded bolts (B) through the pre-drilled holes of metal corner brackets as shown. Ensure the slots and dowels on legs (3) & (6) are aligned correctly with fixed shelf (2) before attaching.
- 5.2 : Insert flat washers (C), lock washers (D) and hex nuts (E) onto all threaded bolts (B) as shown and in order as shown - (C) followed by (D) followed by (E).
- 5.3 : Tighten hex nuts (E) using spanner (F) as shown. Continue to re-tighten hex nuts (E) until they are securely fastened.
- 5.4 : Secure parts (3) & (6) to part (2) using 2x grub screws (H) as shown. Use allen key (J) to turn fittings (H) clockwise to fix.
- 5.5 : Stand the unit upright.



C x 2



D x 2



E x 2



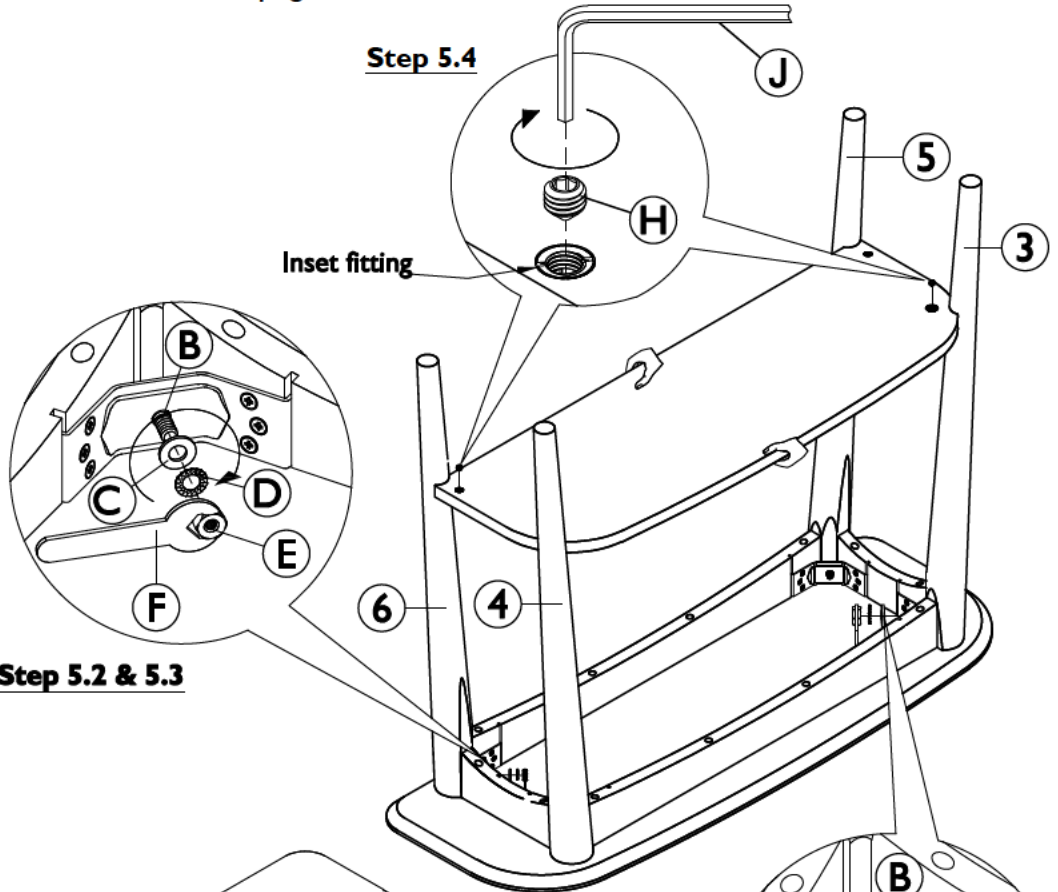
F x 1



H x 2



J x 1



Step 5.2 & 5.3

Step 5.2 & 5.3



Assembly is complete

Care and Maintenance

Wood Furniture

Wood displays different grain patterns depending on which way they are cut - for example, the 'medullary ray' which can appear on oak furniture is a mark of good quality timber - these are just characteristics of the natural beauty of the wood.

Some furniture is also deliberately aged and rustic.

Wood veneers also allow distinctive patterns to be created on some surfaces, such as table tops and drawer fronts by the way slivers are arranged.

All timber and veneer surfaces will change colour and mellow over time. New furniture will initially vary in shade from items that have been previously purchased.

How to care for your wood furniture

Dust with a clean, damp, lint free cloth. Frequent dusting will remove abrasive build up, which can damage the finish over time.

Do not use a very wet cloth or allow any liquid to contact with the veneers for a long period of time as this can permanently damage the surface. Wipe up spills immediately.

Do not use any abrasive cleaner or harsh detergent as this can damage the surface of the furniture.

Spray polishes are best avoided as they contain silicones which may spoil the furniture's surface when building up over time.

Make sure all surfaces are protected from heat and liquids by mats and coasters.

Ensure that a mat or pad is placed under paper when you are writing on the furniture surface.

Do not place rubber, cork, vinyl or plastic materials on the wood finish as chemicals within may react with the finish if left in contact for an extended period of time.

Our furniture will endure most temperatures in the home but it is best to avoid placing furniture next to heat sources such as radiators or fires. Be particularly careful with solid wood as the lack of humidity caused by home heating can cause damage such as warping, cracking or splitting.

Excessive exposure to sunlight can cause fading of your furniture.

Avoid exposing your furniture to any liquids. All liquids should be wiped up immediately with a soft, slightly damp cloth in the direction of the wood grain. If sticky liquid residues do occur, they may be removed with a dilute solution of warm soapy water followed by a clean, damp sponge. The area should then be wiped immediately in the direction of the wood grain with a clean, soft white cloth until completely dry.

Nail polish remover, hairspray, perfume, potpourri & any other products that contains solvents can damage wood upholstery finishes.

Safety Instructions:

Never drag furniture when moving it. Always lift it.

Periodically check all fixings to ensure none have come loose. Re-tighten when necessary.

Please take care when handling or moving the furniture as careless handling may cause damage or injury.

Furniture can be dangerous if incorrectly assembled. Assembly should be carried out by a competent person.

No liability will be accepted for damage or injury caused by incorrectly installed or assembled furniture.

Heavy item warning:

It is recommended to seek assistance when moving a heavy object. Take care when lifting to avoid personal injury and (or) damage to the product.

It is recommended that before moving a heavy object to a new location it is completely dis-assembled to avoid personal injury or damage to the furniture. Please be careful to retain all fittings when doing this.