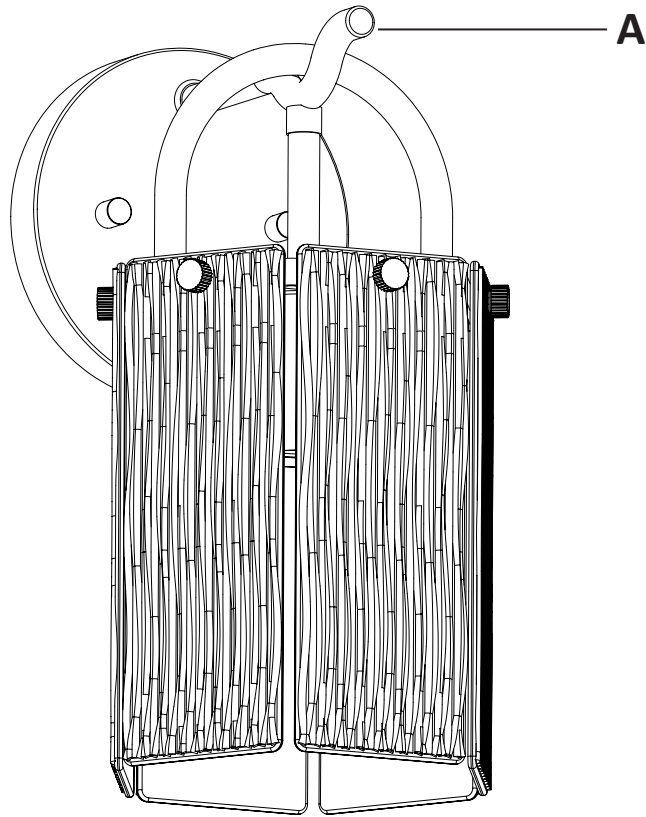

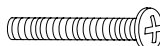

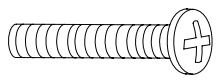
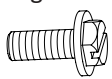

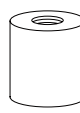
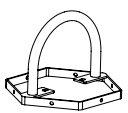

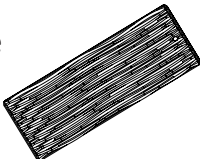

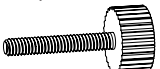


# USE AND CARE MANUAL

## 1 LIGHT WALL SCONCE



### Hardware (Parts are not to scale)

<b>H1</b> Mounting bracket (Pre-assembled to fixture body) 1 pc 	<b>H2</b> Support screw (long) (Pre-assembled to mounting bracket) 2 pcs 	<b>H3</b> Hex nut (Pre-assembled to support screw) 2 pcs 	<b>H4</b> Outlet box screw (short) 2 pcs 
<b>H5</b> Green ground screw (Pre-assembled to mounting bracket) 1 pc 	<b>H6</b> Wire connector 3 pcs 	<b>H7</b> Cap nut (Pre-assembled to support screw) 2 pcs 	<b>H8</b> Glass plate holder 1 pc 
<b>H9</b> Thumbscrew (Short) (Pre-assembled to fixture body) 2 pcs 	<b>H10</b> Glass plate 6 pcs 	<b>H11</b> Plastic washer (Pre-assembled to glass plate holder) 12+2 pcs 	<b>H12</b> Thumbscrew (Pre-assembled to glass plate holder) 6+1 pcs 

**THIS MANUAL CONTAINS IMPORTANT SAFETY INFORMATION. PLEASE READ AND KEEP FOR FUTURE REFERENCE.**

---

# IMPORTANT SAFETY INFORMATION

- Please read and understand this entire manual before attempting to assemble, operate or install the product.
  - Turn off electricity at main fuse box (or circuit breaker box) before beginning installation by removing fuse (or switching off circuit breaker).
  - Be careful not to damage or cut the wire insulation (covering) during fixture installation. Do not permit wires to contact any surface having a sharp edge. To do so may damage or cut the wire insulation, which could cause serious injury or death from electric shock.
  - All electrical connections must be in agreement with local codes, ordinances or the national electric code (NEC). Contact your municipal building department to learn about your local codes, permits and/or inspections. If you do not have electrical wiring experience, refer to a do-it-yourself wiring handbook or have your fixture installed by a qualified licensed electrician.
  - Risk of fire – most dwellings built before 1985 have supply wire rated for 140°F/60°C. Consult a qualified electrician before installation.
  - Do not exceed the recommended wattage. Refer to the re-lamping label on the light socket for maximum wattage.
  - Do not replace a bulb when electrical outlet switch is turned to the “ON” position.
  - Do not immerse your lamp in water; doing so will damage the wire.
  - Keep materials that burn easily away from lighted bulbs.
- 

## PREPARATION

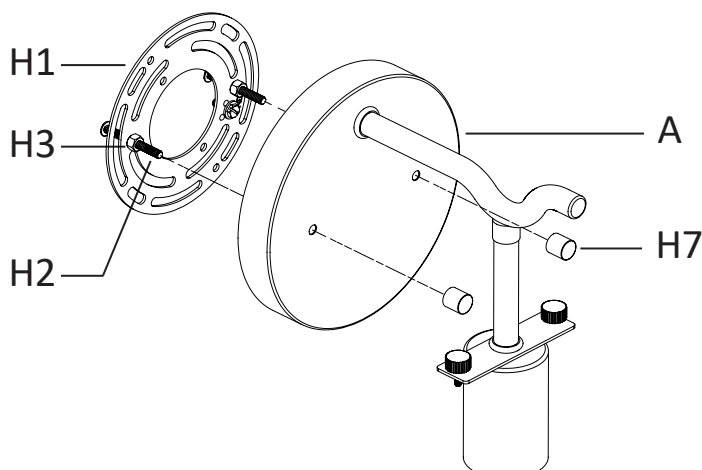
- Before beginning assembly, installation or operation of product, make sure all parts are present. Compare parts with package contents list and diagram on previous page. If any part is missing or damaged, do not attempt to assemble, install or operate the product. Contact customer service for replacement parts.
  - Tools required for assembly (not included): flathead screwdriver, phillips screwdriver, pliers, electrical tape, wire cutters, safety glasses, ladder, wire stripper.
- 

## INSTALLATION

---

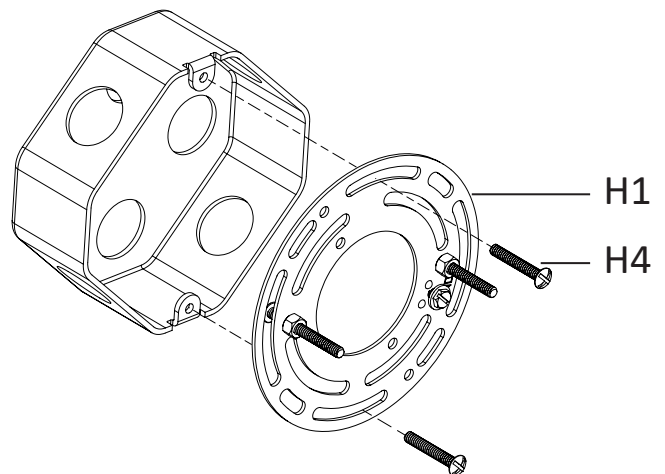
### 1 Preparing the mounting bracket

- Unscrew the two cap nuts (H7) from the support screws (long) (H2). Remove the mounting bracket (H1) from the fixture body (A), and keep the cap nuts (H7) for later use.
- Loosen the hex nuts (H3) on the support screws (long) (H2) and adjust the support screws (long) (H2) so that they extend long enough to protrude through the canopy of the fixture body (A). Then secure the support screws (long) (H2) in place using the hex nuts (H3).



### 2 Installing the mounting bracket

- Fasten the mounting bracket (H1) onto the outlet box (not provided) using two outlet box screws (short) (H4).

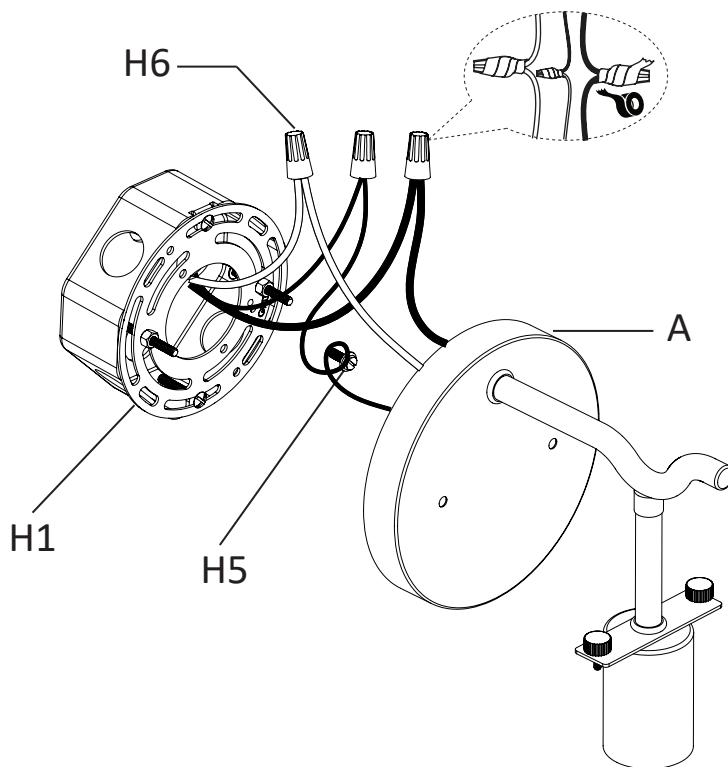


# INSTALLATION (continued)

## 3 Making the electrical connections

- Strip 3/4 in. of insulation from the wire ends.
- Connect the black wire from the fixture to the black wire from the outlet box, then connect the white wire from the fixture to the white wire from the outlet box.
- Connect the bare copper ground wire to the ground wire from the outlet box. The bare copper ground wire from the fixture must loop one turn under the head of the green ground screw (H5) on the mounting bracket (H1) before it is connected to the ground conductor of the supply circuit.
- Cover the wires with wire connectors (H6). Tape the wire connectors (H6) and wires together, and carefully position all wires inside the outlet box.

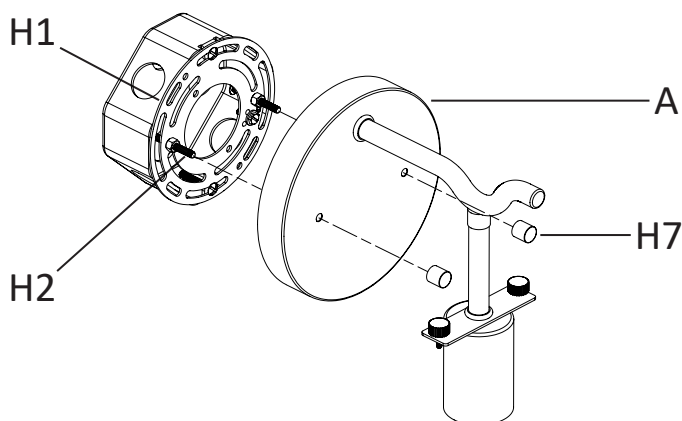
**Note:** Do not let go of the fixture body (A) before the fixture body (A) is installed on the mounting bracket (H1).



## 4 Installing the fixture body to the outlet box

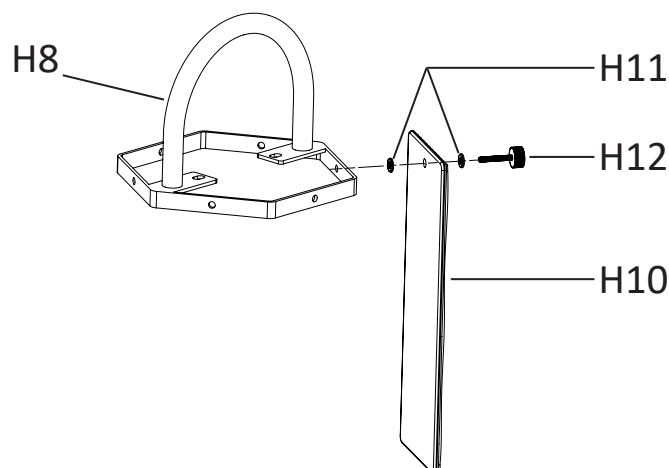
- Place the fixture body (A) over the outlet box, and ensure the heads of the support screws (long) (H2) come through the holes of back of the fixture body (A).
- Tighten the cap nuts (H7) onto the protruding support screws (long) (H2) on the mounting bracket (H1) until the fixture body (A) is held firmly against the wall.

**Note:** Do not let go of the fixture body (A) before the fixture body (A) is installed on the mounting bracket (H1).



## 5 Assembling the glass plates to the glass plate holder

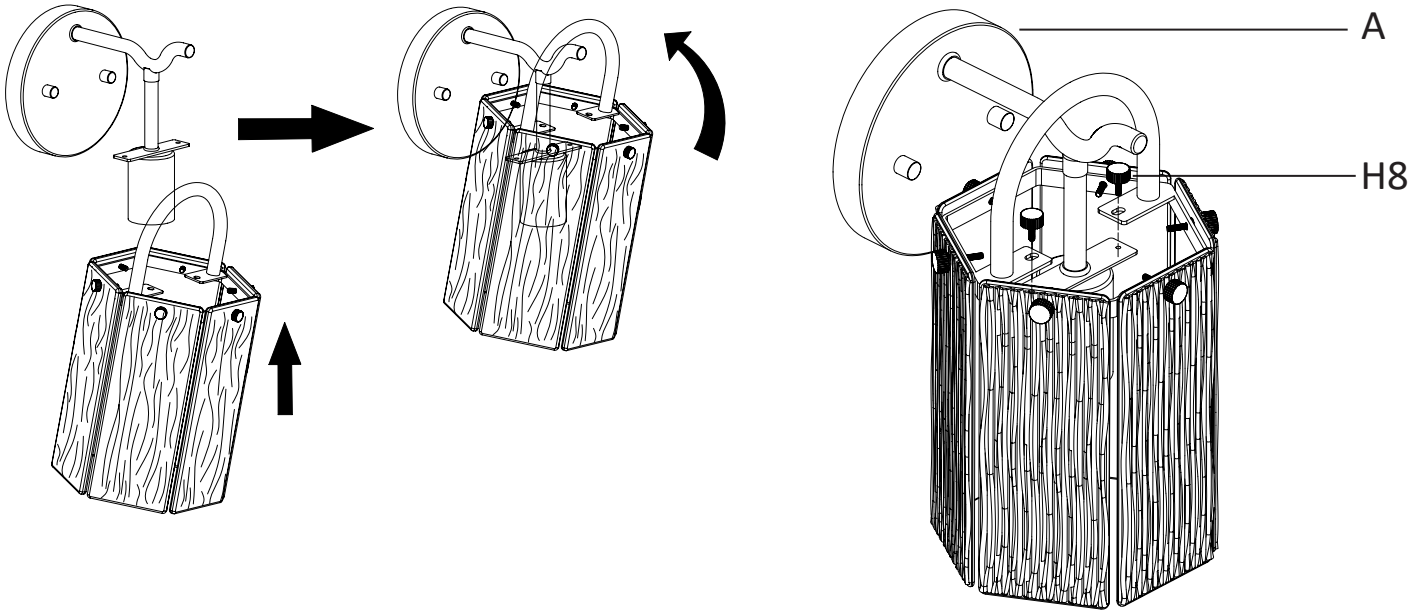
- Unscrew the thumbscrews (H12) from the glass plate holder (H8).
- Remove one plastic washer (H11) from the thumbscrew (H12).
- Slide the screw of the thumbscrews (H12) through the hole of the glass plates (H10) and the previously removed plastic washers (H11). Then secure the thumbscrews (H12) to the glass plate holder (H8) as shown in the diagram.
- Repeat this step for the remaining glass plates (H10).



# INSTALLATION (continued)

## 6 Assembling the glass plate assembly

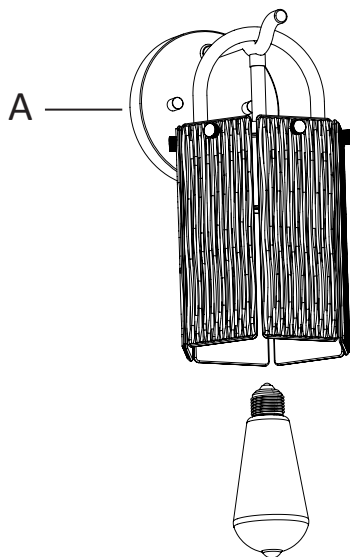
- Unscrew the two thumbscrews (short) (H8) from the fixture body (A). Carefully place the glass plate assembly onto the socket of the fixture body (A), then secure it with the two thumbscrews (short) (H8) as shown in the diagram.



## 7 Installing the bulb

- Install the light bulb (not provided) into the socket. Use one **MAX 60 W medium base (E26) type "ST64"** bulb (recommended).

**Note:** You can also use one **MAX 60 W medium base (E26) type "A"** bulb or **MAX 9W medium base (E26) self-ballasted LED** bulb. Do not exceed the recommended wattage.



## CLEANING

- Do not use any cleaners with chemicals, solvents, or harsh abrasives. Use only a dry, soft cloth to dust or wipe carefully.
- To clean the fixture, disconnect the power by turning off the circuit breaker or by removing the fuse at the fuse box. Use a dry or slightly dampened, clean cloth to wipe the exterior surface of the fixture.

## TROUBLESHOOTING

- The light does not come on at all:
  - a) Check whether the bulb was burned out.
  - b) Ensure the power supply is turned on.
  - c) Ensure the cord is plugged into an outlet.
  - d) Ensure the circuit breaker is set in the "ON" position.
- Fuse blows or circuit trips when light is turned on.
  - a) Check for crossed wires, ensure wiring is correct.