

INSTALLATION CHECKLIST

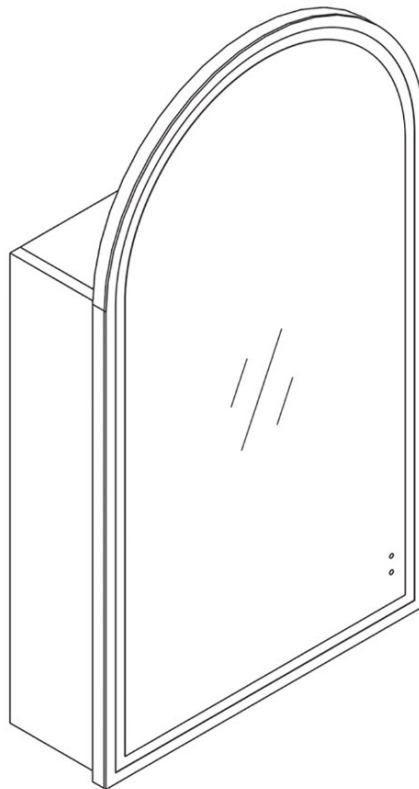
1 Check Products for Any Damages

Prior to installation it is important to unpackage & inspect your products to ensure no damage has occurred in transit and that the product IS CORRECT. If damages has occurred, or a visible defect exists, do not proceed with installation and contact supplier IMMEDIATELY.

No claims for damages/defects will be recognized after installation.

2 Check Support Beam

Shaving Cabinet requires fixing to a support beam fitted between the studs to give a solid wall backing to attach the vanity to.



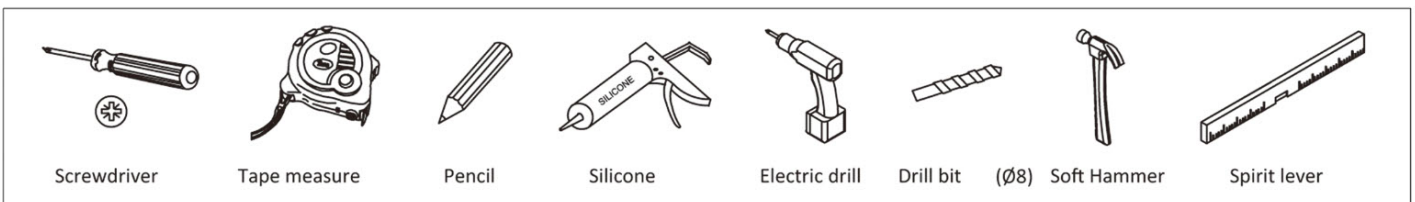
INSTALLATION CHECKLIST

3 Check Your Wall is Flat and Plumb

Before installing, check that your wall is flat and plumb. If not, the cabinet will need to be packed out so that hangs level, otherwise the cabinet may twist, causing doors to fall out of alignment and not function properly.

✂ INSTALLATION INSTRUCTION

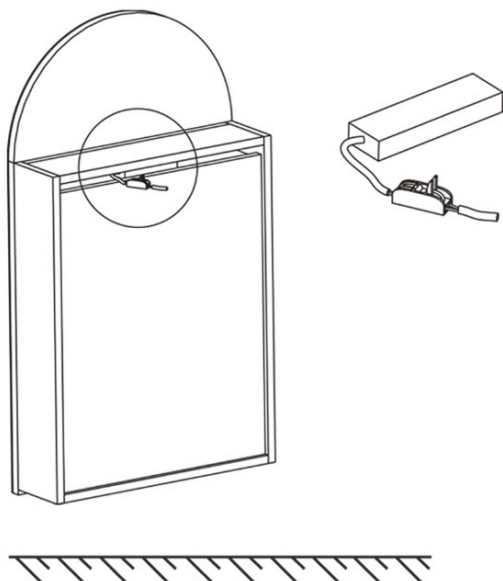
Required Tools



Supplied Spare Part



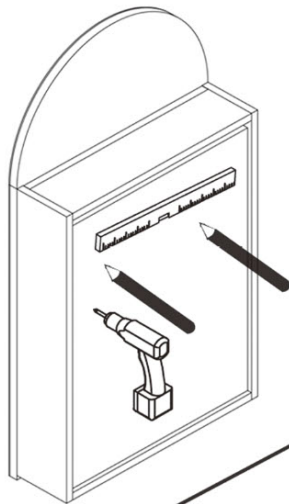
1



Connect power: Connect the 3-pin connector to the power line reserved on the wall, and then close the 3-pin connector. (LED Shaving Cabinet Only)

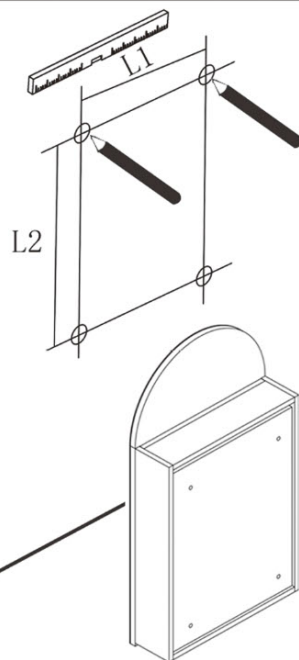
INSTALLATION INSTRUCTION

2



Level the shaving cabinet, and mark the holes on the back panel. Drill the holes.

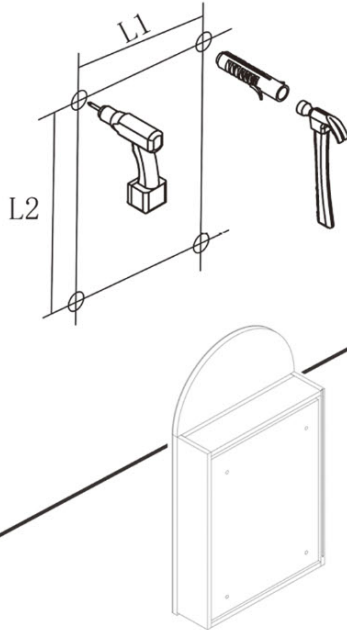
3



Mark on the wall through the holes on the shaving cabinet.

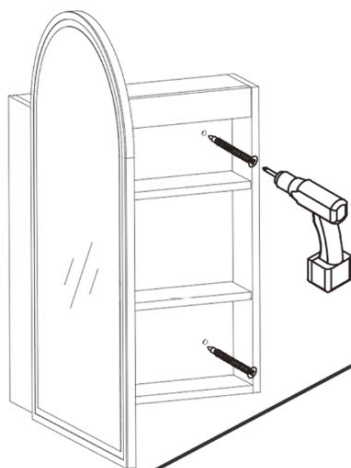
INSTALLATION INSTRUCTION

4



Drill the pilot holes into the pencil marks you made on the wall, punching the expanding rubber particles into the holes.

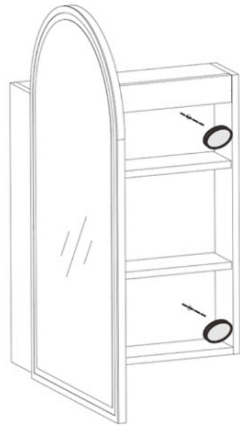
5



Screw the shaving cabinet to the wall.

INSTALLATION INSTRUCTION

6



Stick decorative cover onto the screw holes in the cabinet.