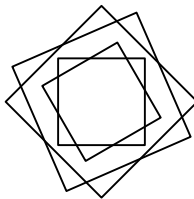
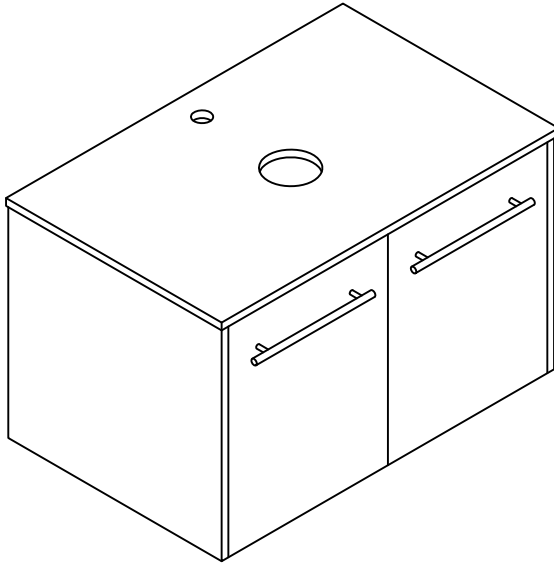




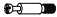
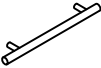




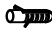


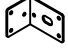

INSTALLATION MANUAL



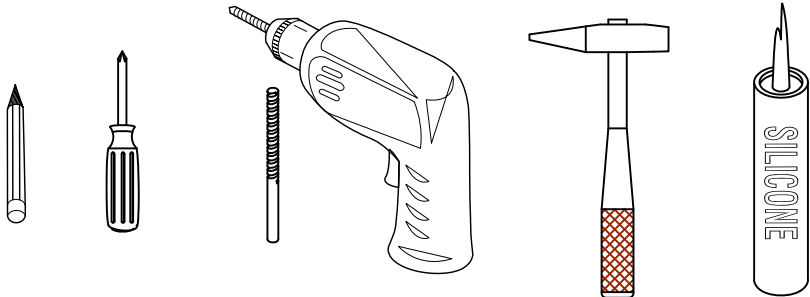
Thank you for shopping with us!

We encourage you to take a few minutes to go through this booklet. It contains important information on installation and care tips to keep your furniture looking as good as new.

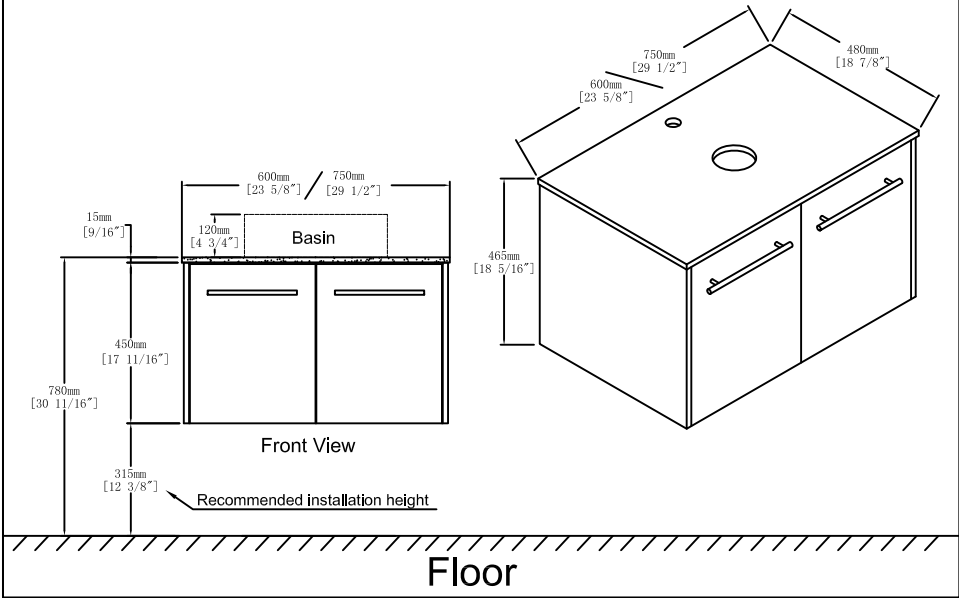
Hardware

NO.	Draw	QTY	NO.	Draw	QTY
A	 Screws Ø4x14mm	44	I	 Hinges	4
B	 Two-in-one connector	17	J	 Handles	2
C	 Two-in-one connector	17	K	 Screws M4x20mm	4
D	 Wood plug	4	L	 Anti-collision gasket	4
E	 Plastic anchor(Ø10mm)	4	M	 Screwdriver	1
F	 Screws for fix on the wall	4			
G	 Bracket (53x70x44mm)	2			
H	 Bracket (19x19x35mm)	2			

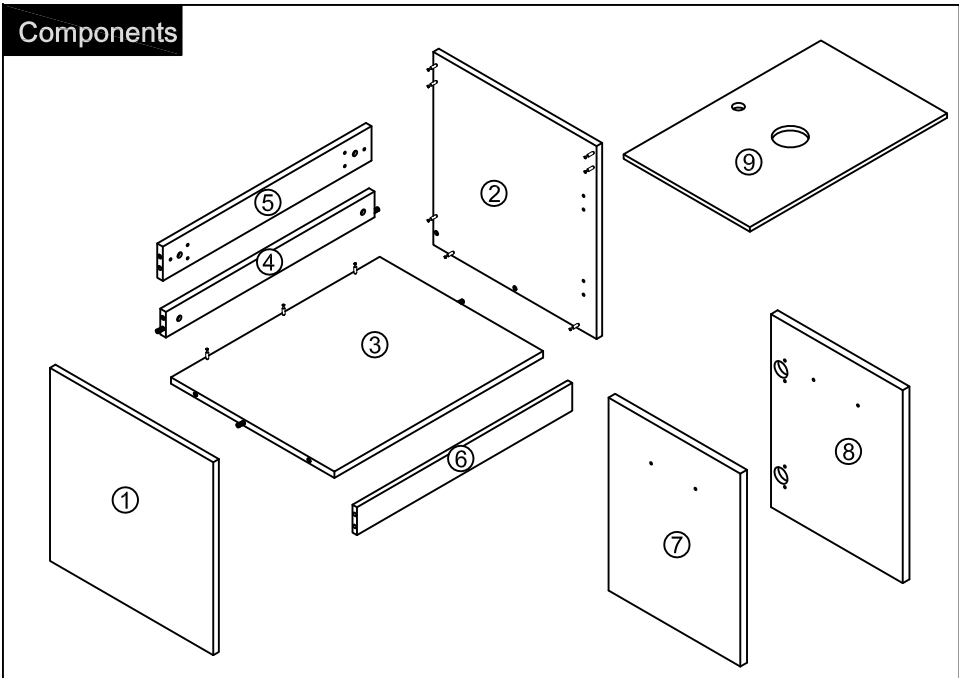
Recommended tools



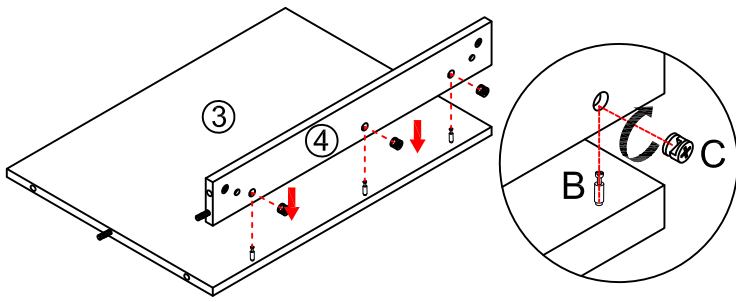
Dimensions

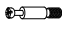




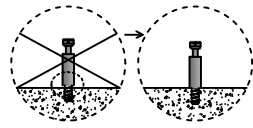
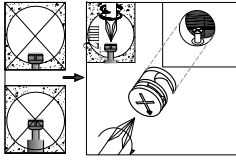
Components



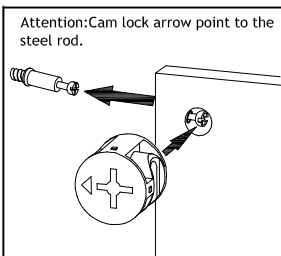
Step 1



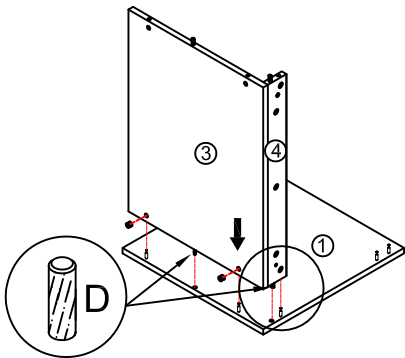
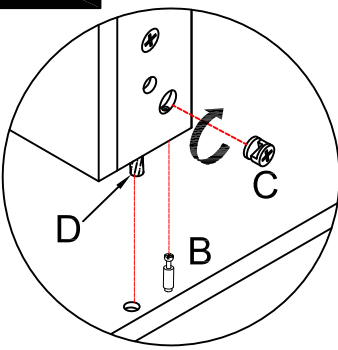
-  x3
- B**
-  x3
- C**
-  x1
- M**

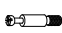





Notes: Screw installation depth as shown

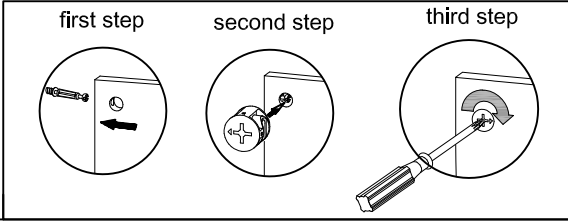
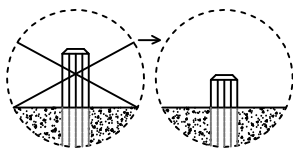


Step 2

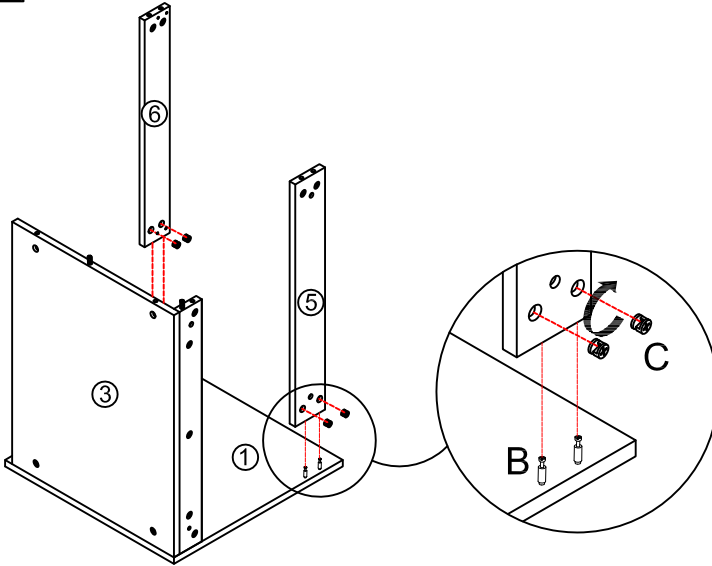


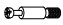

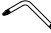
-  x3
- B**
-  x3
- C**
-  x2
- D**
-  x1
- M**

Note: The D parts are used for these two holes

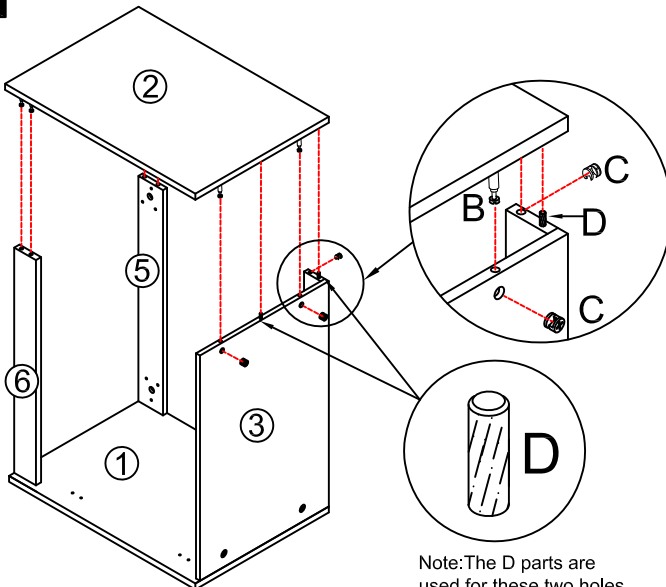


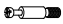


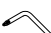
Step 3



-  x4
- B
-  x4
- C
-  x1
- M

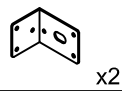
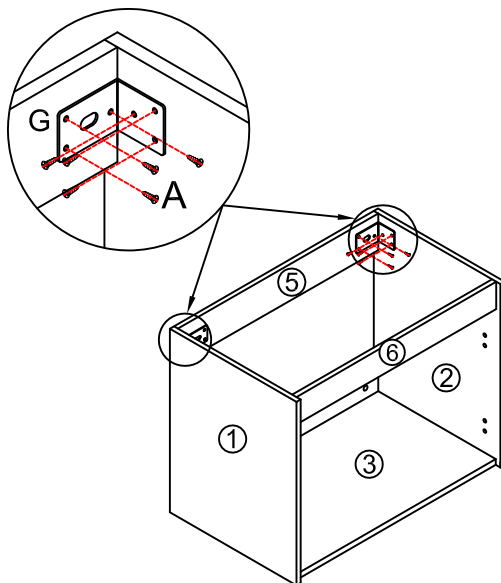
Step 4



-  x7
- B
-  x7
- C
-  x2
- D
-  x1
- M

Note: The D parts are used for these two holes

Step 5



G

($\varnothing 4 \times 14\text{mm}$)



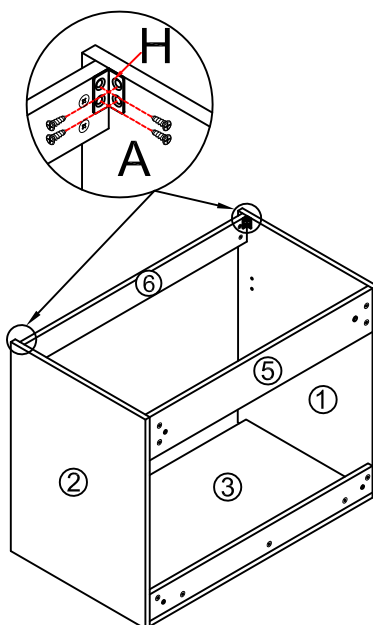
x12

A



Tool

Step 6



x2

H

($\varnothing 4 \times 14\text{mm}$)



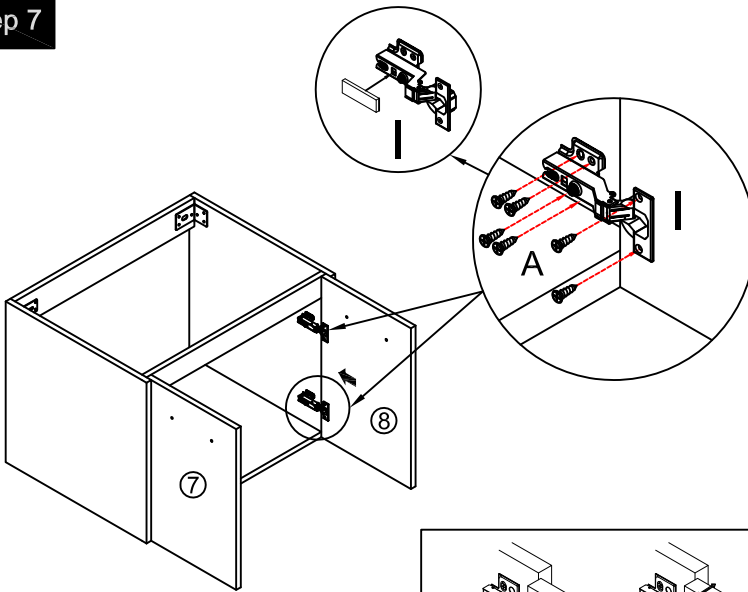
x8

A



Tool

Step 7



I
($\varnothing 4 \times 14\text{mm}$)

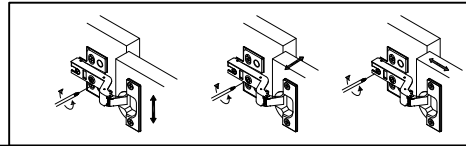


A

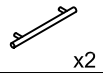
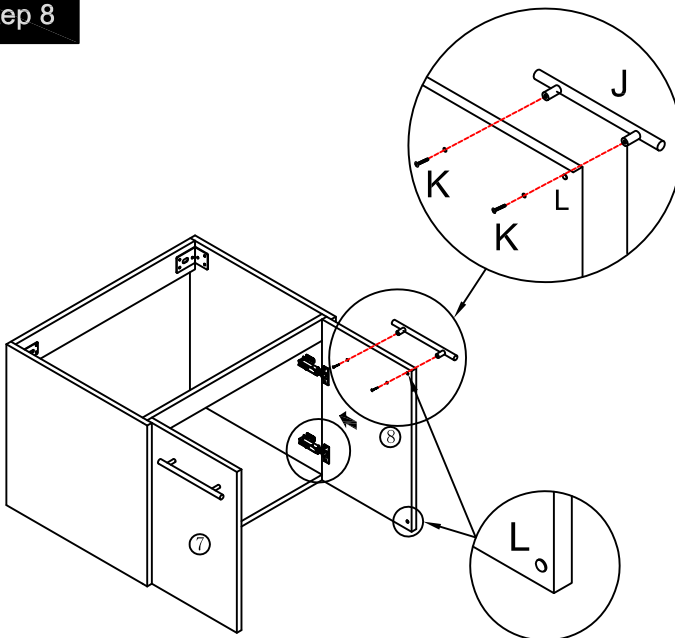


Tool

You can adjust the doors by tightening or loosening the screws on the hinge. →



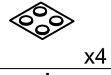
Step 8



J
(M4 x20mm)



K

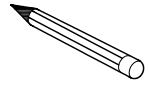


L

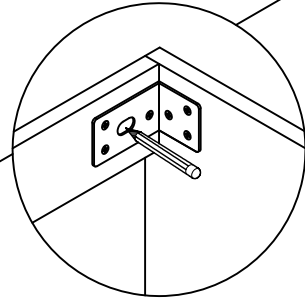


M

Step 9



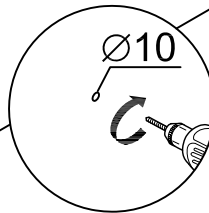
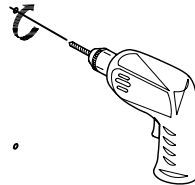
Tool



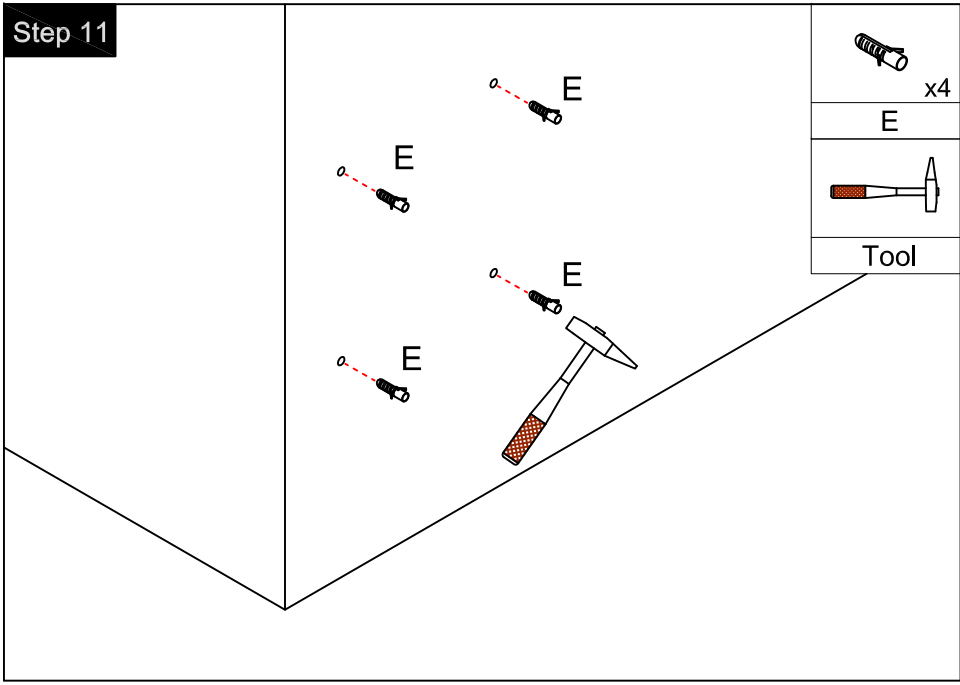
Step 10



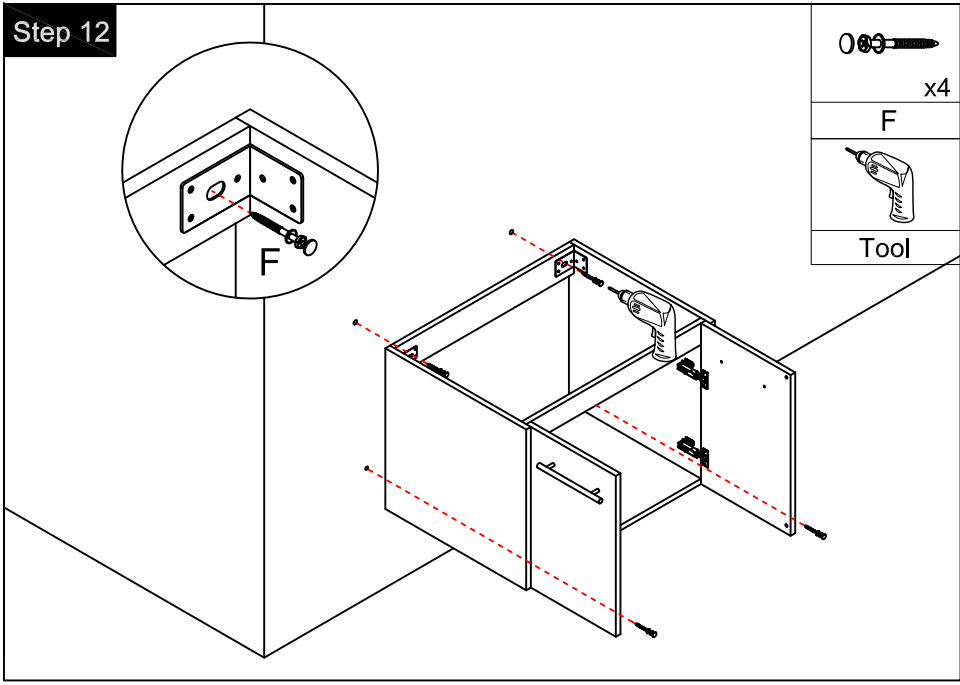
Tool



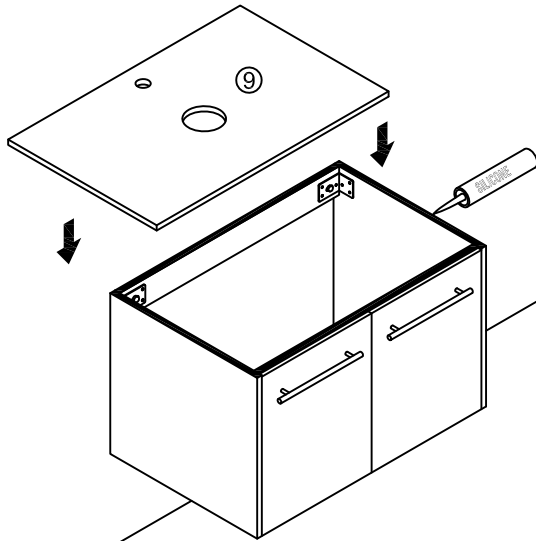
Step 11



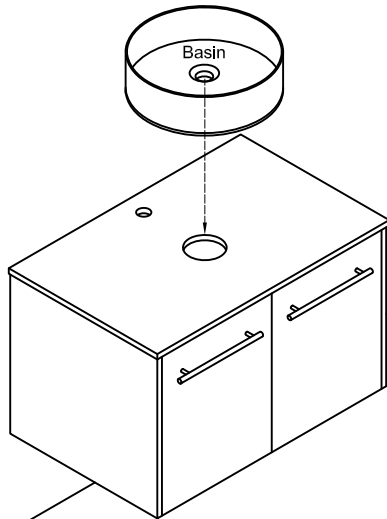
Step 12



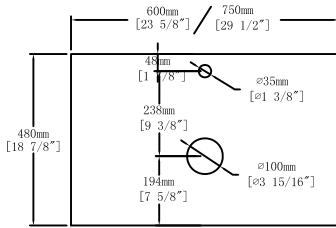
Step 13



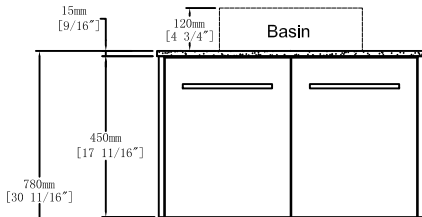
Finished



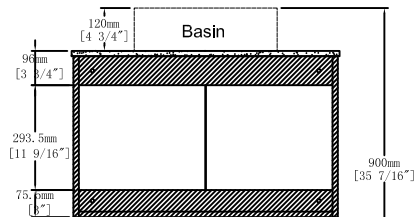
Dimensions



Top View



Front View



Back View

Floor

CARE CLEANING AND MAINTENANCE

1. Dust regularly with a soft , dry cloth.
2. Avoid the use of all chemicals household cleaners, abrasives, or cleaners that contain lemon, vinegar, or other acids that may damage the finish.
3. Excessive exposure to sunlight and extreme changes in temperature and moisture can damage wood furniture.
4. The sink top is resilient, but care needs to be taken to preserve its appearance.
5. Do not place hot appliances, such as curling irons and hot hair dryers directly on the countertop. Wipe spills immediately.