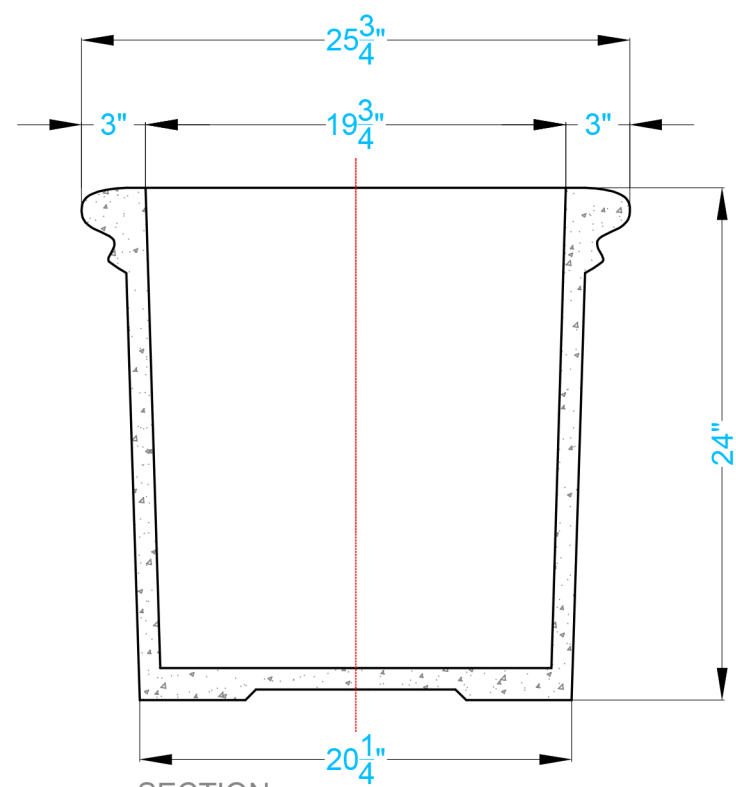
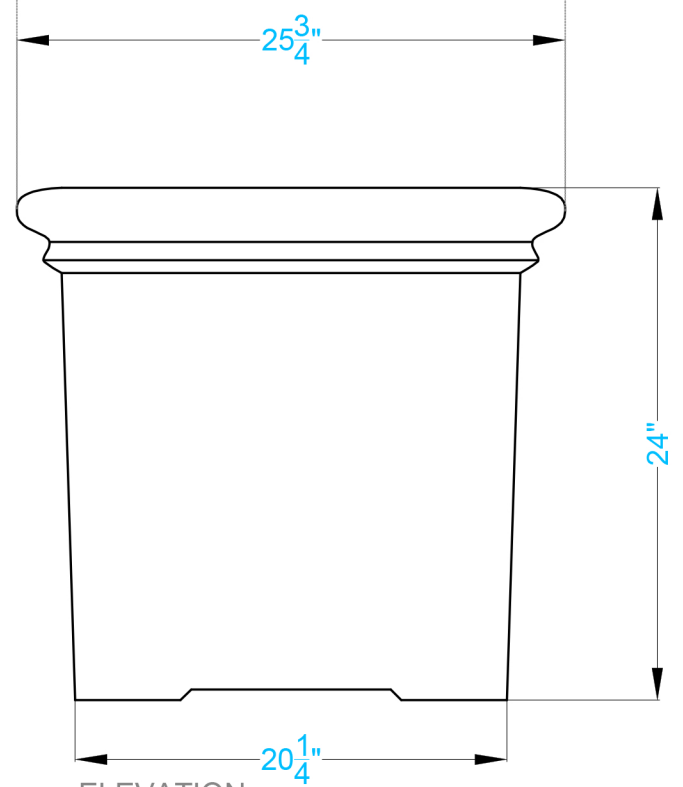


TOP VIEW



SECTION



ELEVATION

TEL: (310)882-5152 MOBILE: (310)774-6077
FAX: (310) 734-6430
EMAIL: GOR@LOSANGELESCASTSTONE.COM
WEB: WWW.LOSANGELESCASTSTONE.COM



PREPARED BY:

PROJECT ADDRESS:

PROJECT TITLE:
Planters

DRAWING TITLE:
LACS-PL-25 ³/₄ X 24

SHEET TITLE:
1